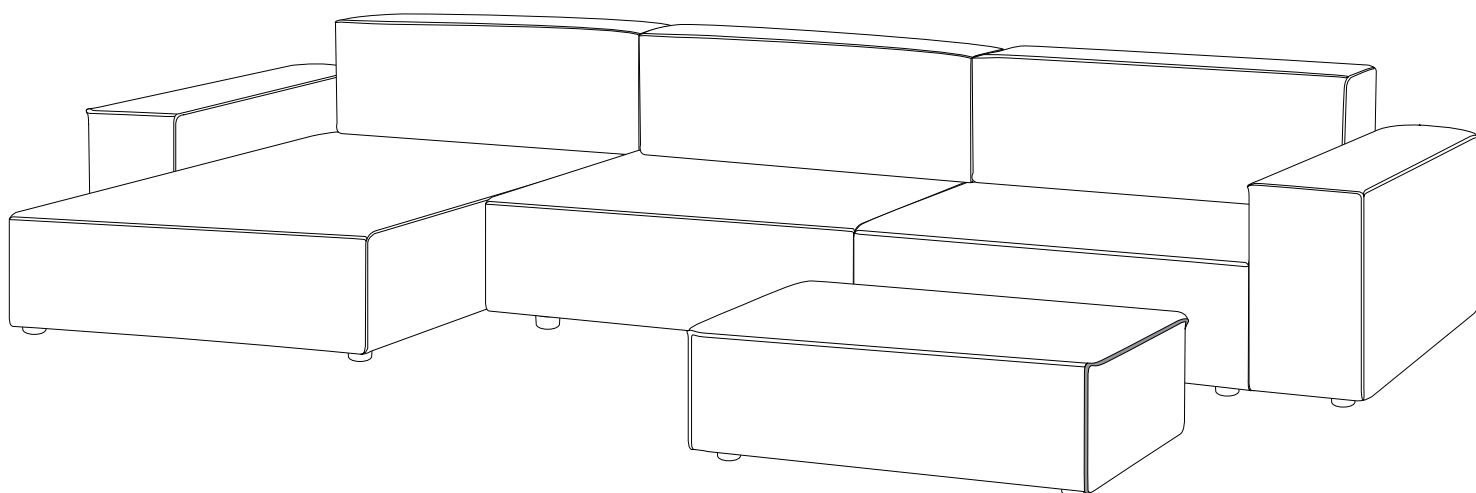
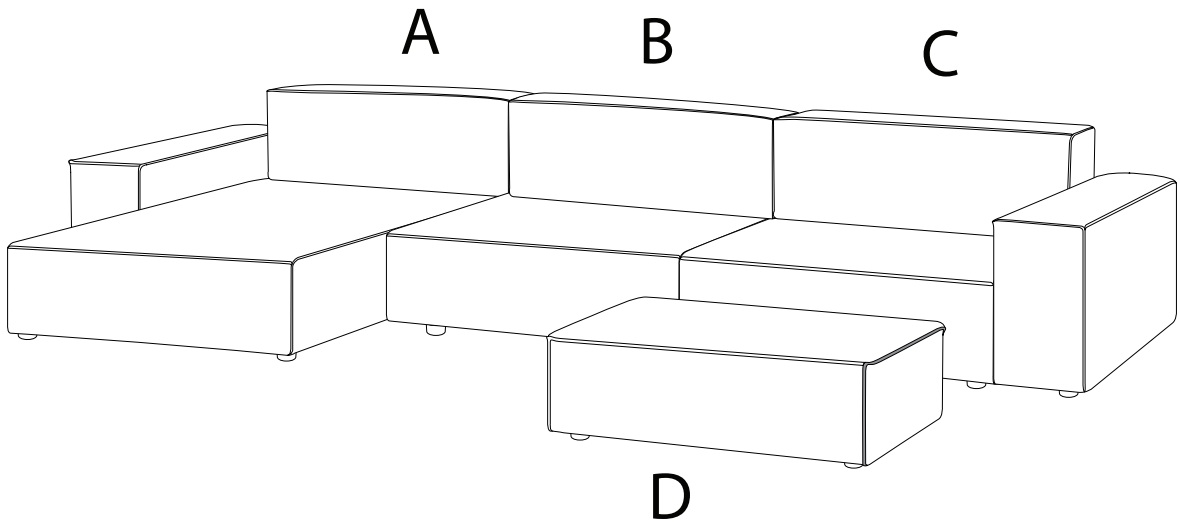
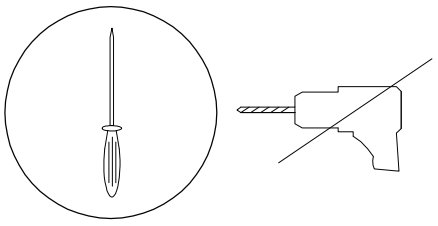

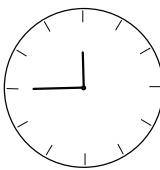
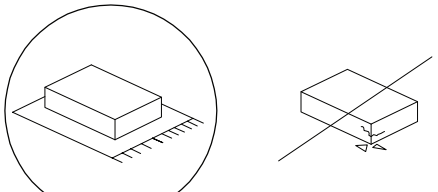




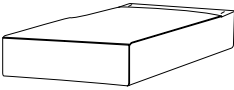
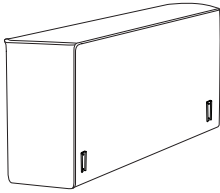


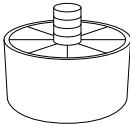
HELLNAR

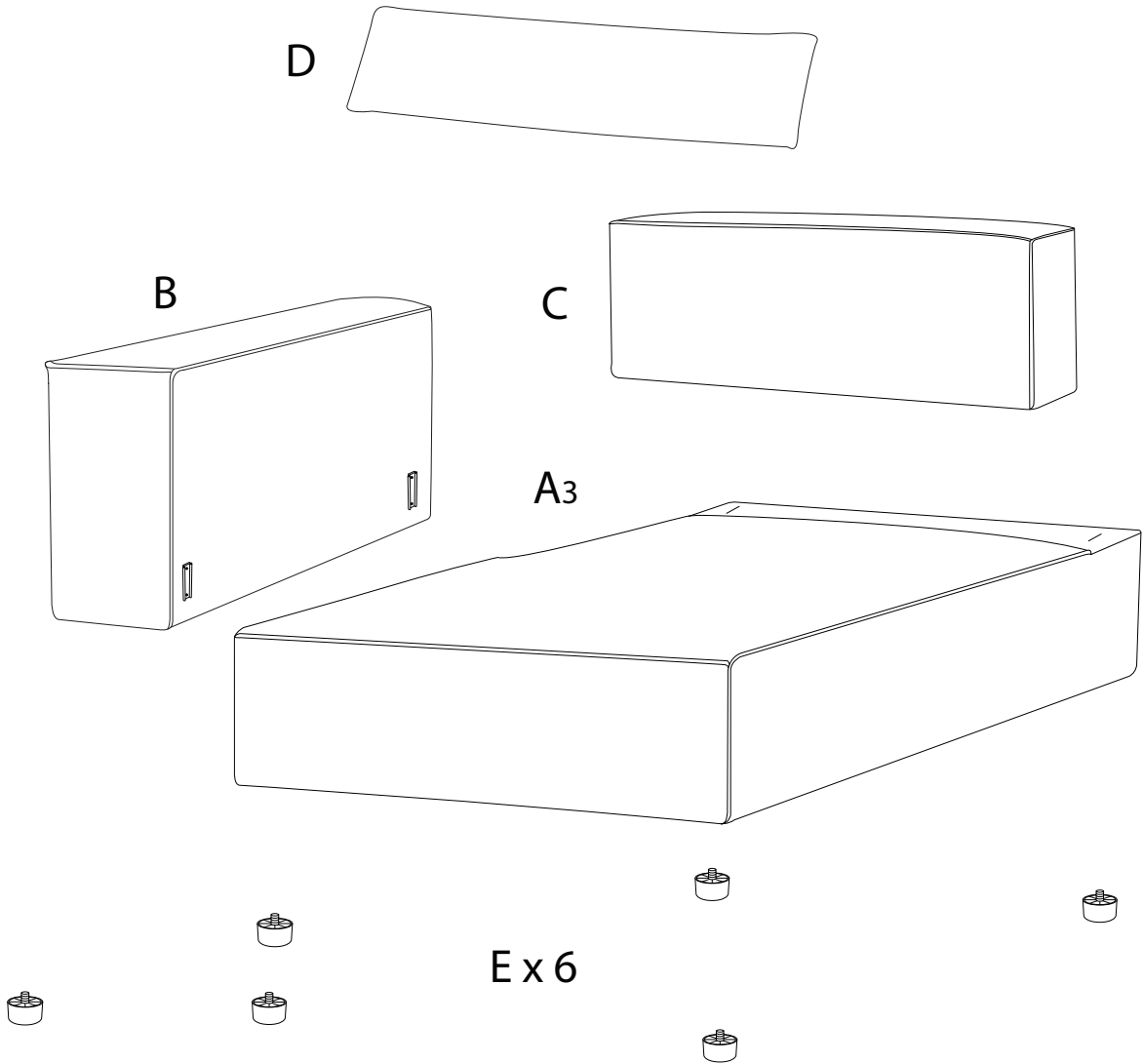


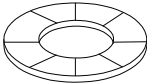
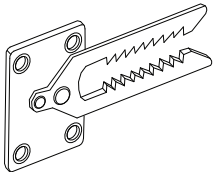




		
		<p>45'</p>
		
		<p>2</p>

A

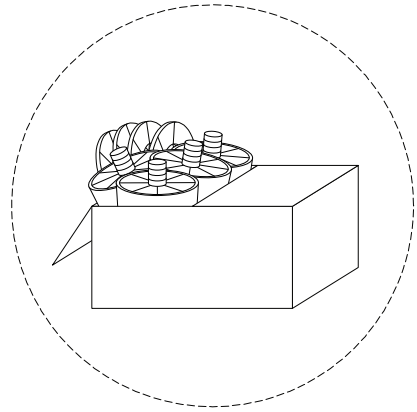
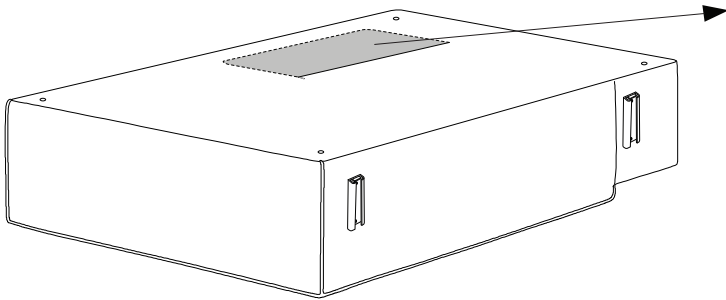
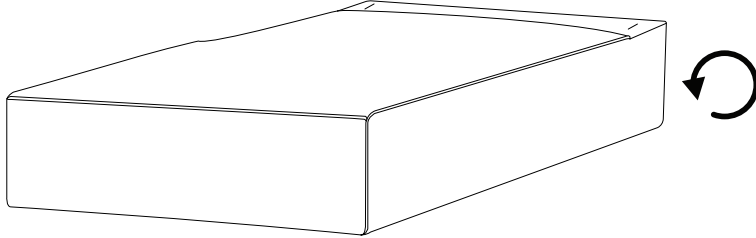
A₃  x 1	B  x 1	C  x 1	D  x 1	E  x 6
---	---	---	--	---



F  x 6	G₂  x 2	H  x 8	I  x 2
---	---	--	---

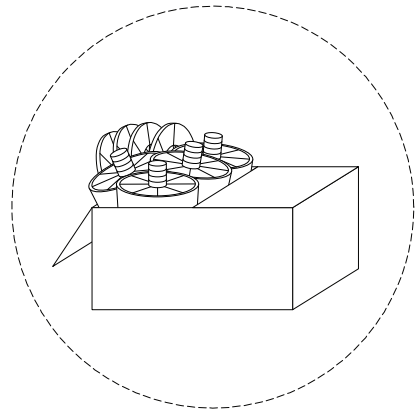
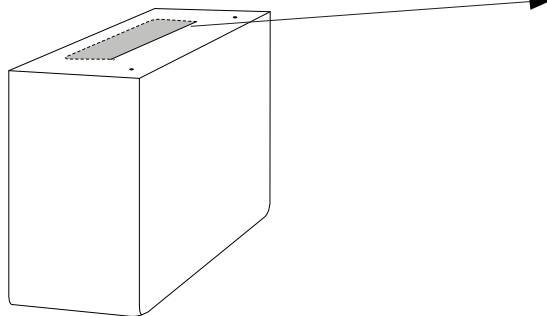
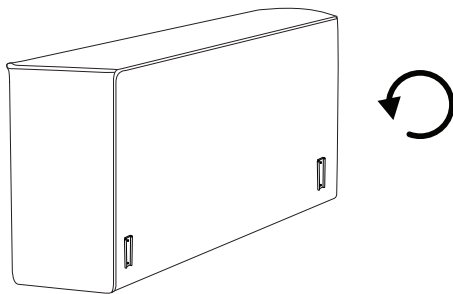
!

A₃

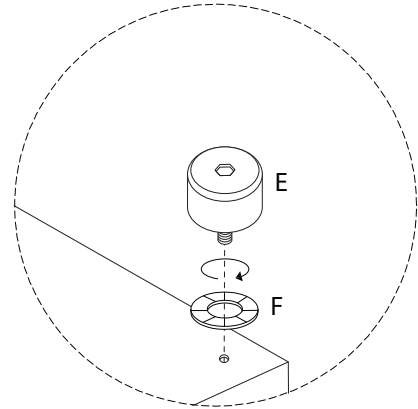
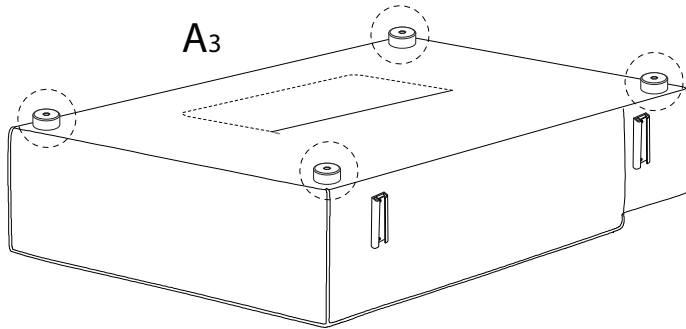
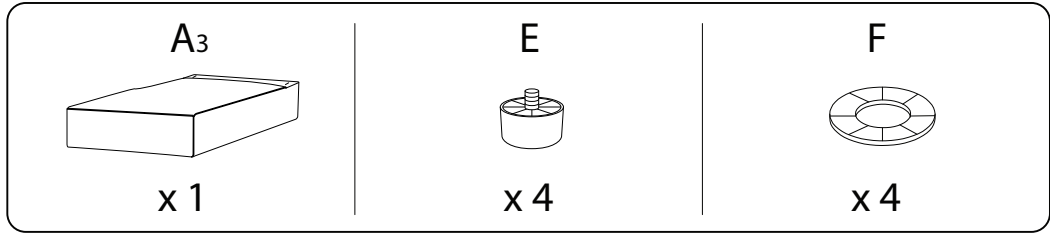


!

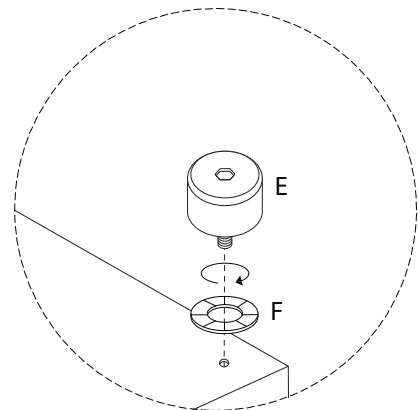
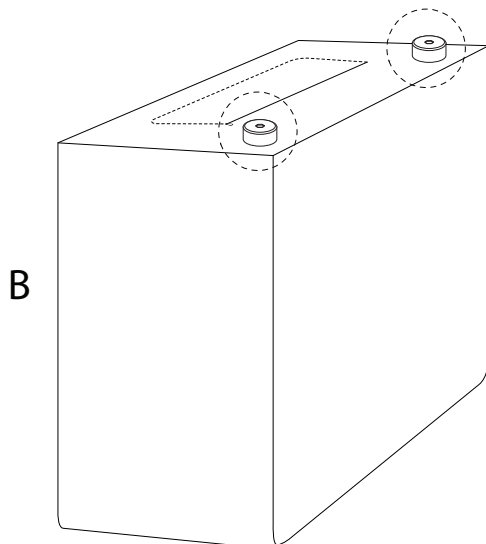
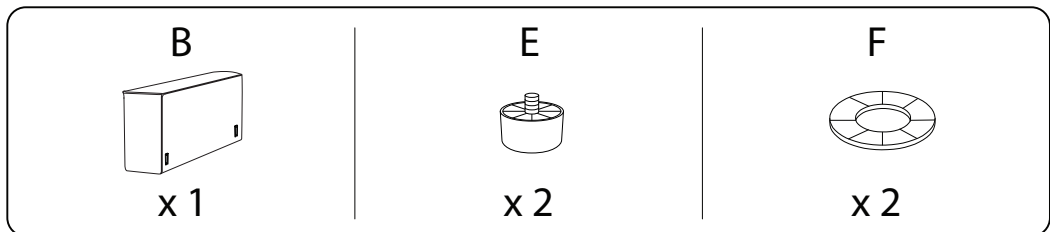
B



1

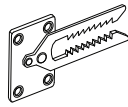


2



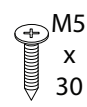
3

G₂

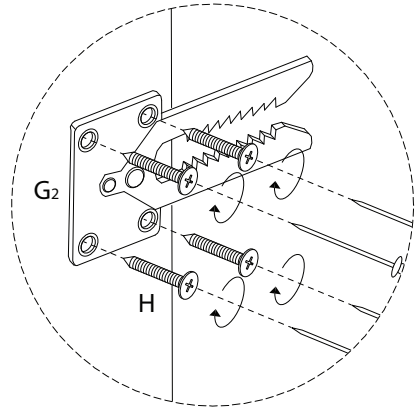
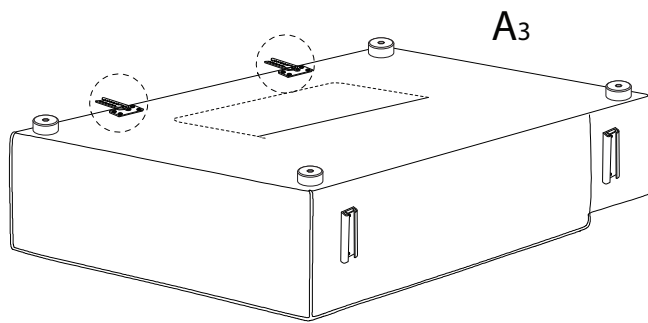


x 2

H



x 8



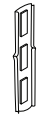
4

C

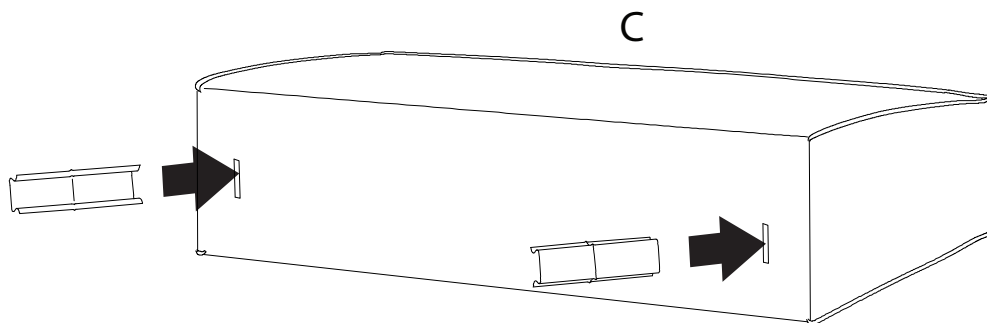


x 1

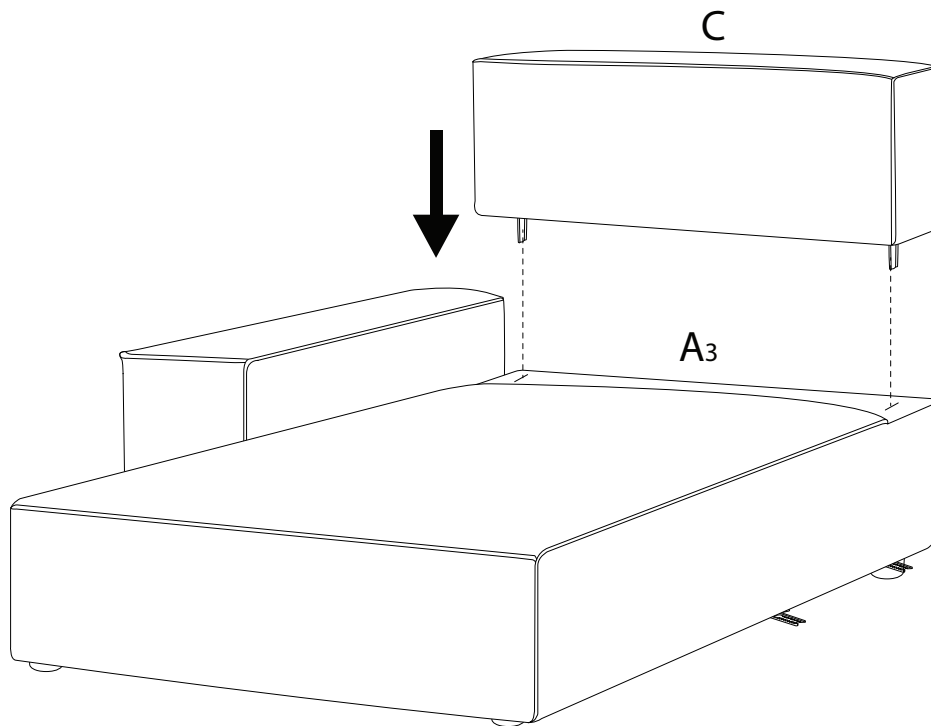
I



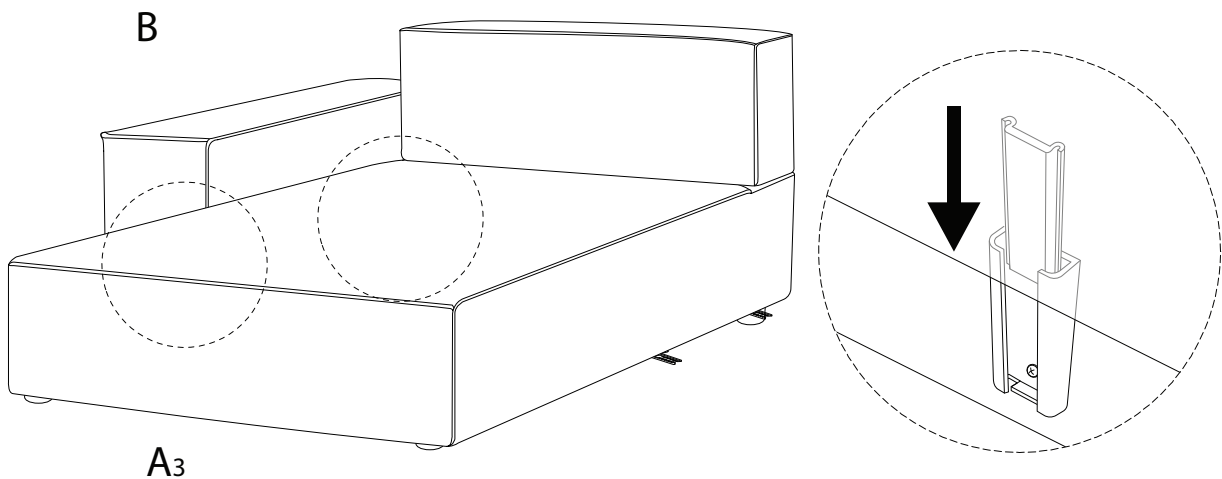
x 2



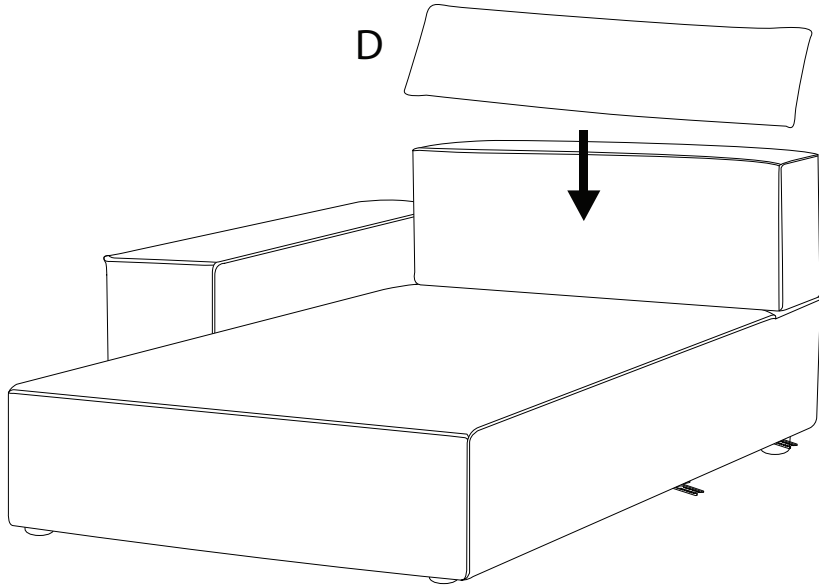
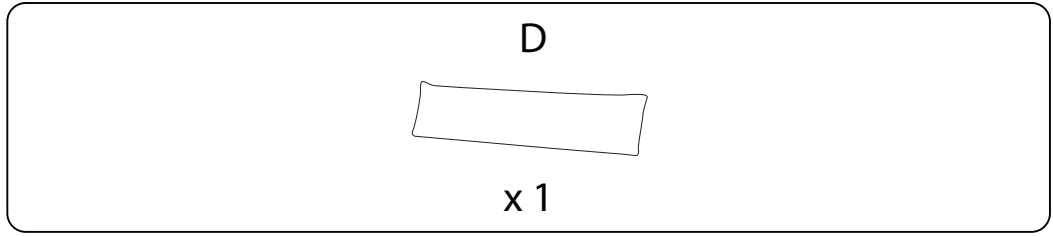
5



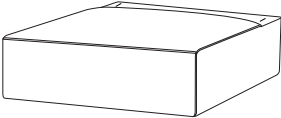
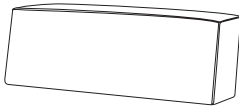
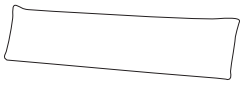
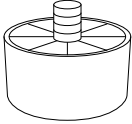
6

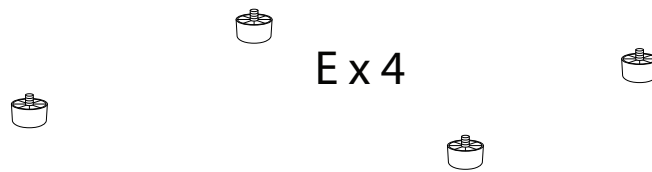
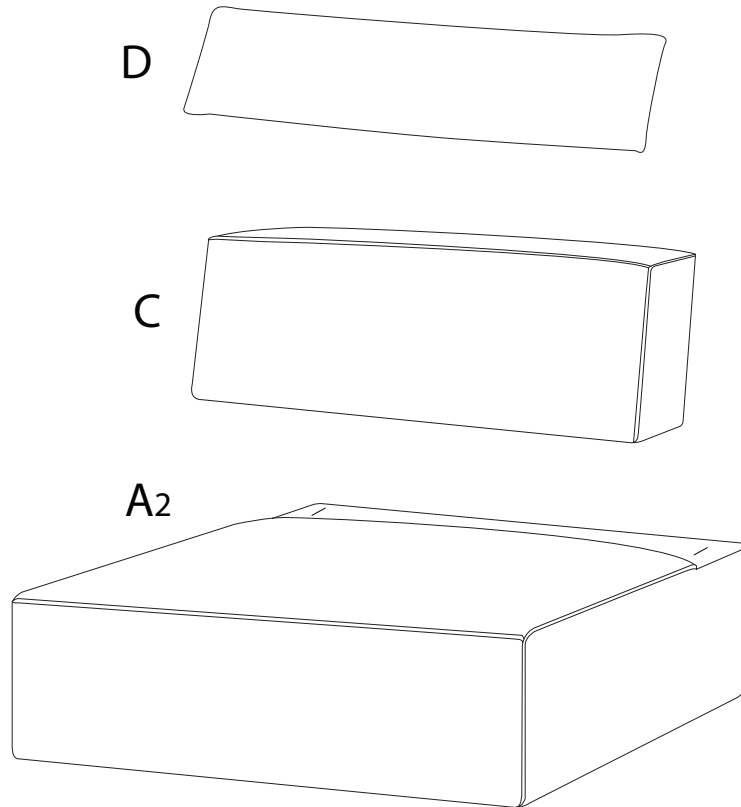


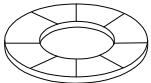
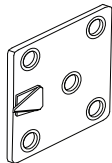
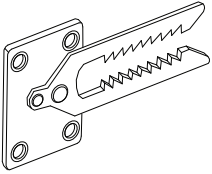
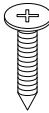

7



B

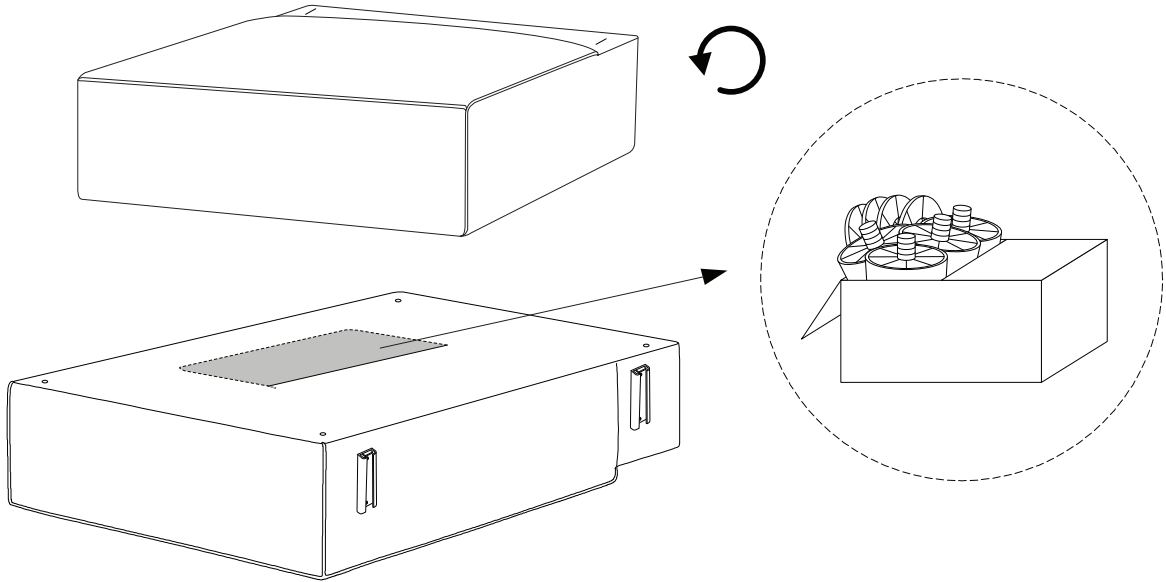
<p>A₂</p>  <p>x 1</p>	<p>C</p>  <p>x 1</p>	<p>D</p>  <p>x 1</p>	<p>E</p>  <p>x 4</p>
---	---	--	---



<p>F</p>  <p>x 4</p>	<p>G₁</p>  <p>x 2</p>	<p>G₂</p>  <p>x 2</p>	<p>H</p>  <p>M5 x 30</p> <p>x 18</p>	<p>I</p>  <p>x 2</p>
---	---	---	---	---

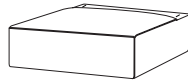
!

A₂



1

A₂



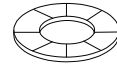
x 1

E

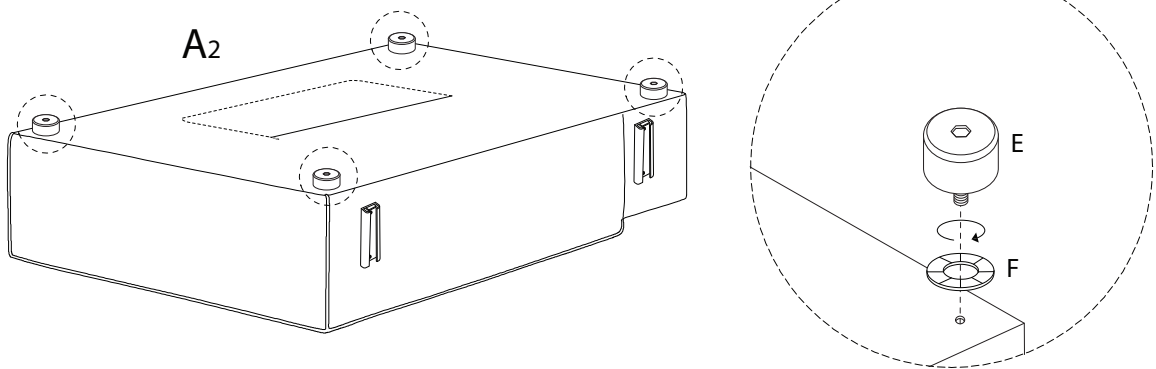


x 4

F

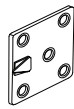


x 4



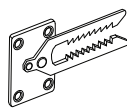
2

G₁



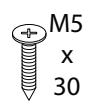
x 2

G₂

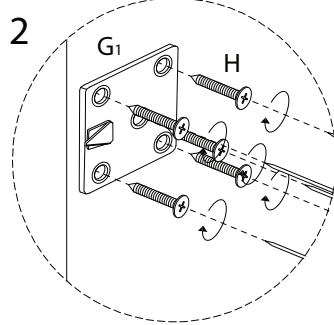
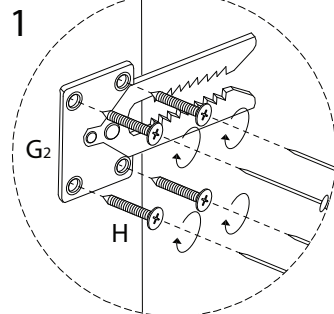
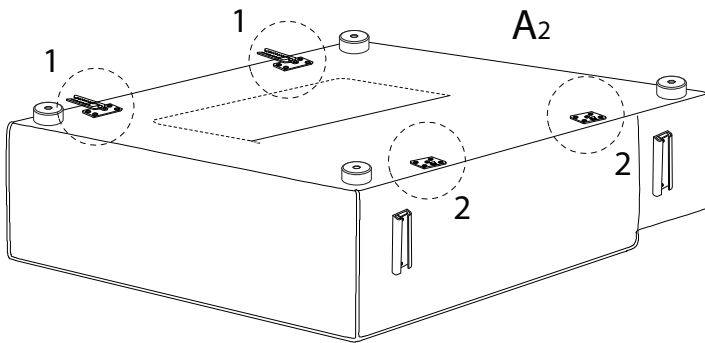


x 2

H

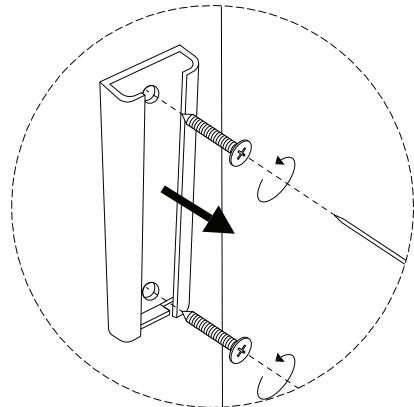
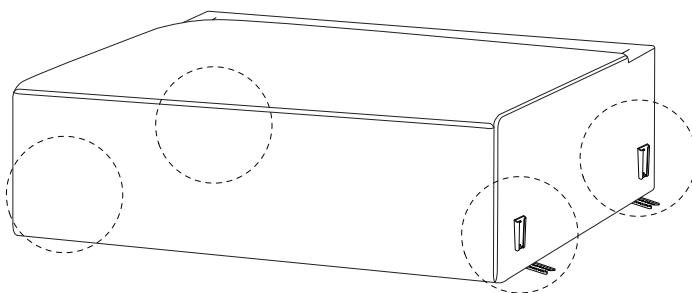


x 18

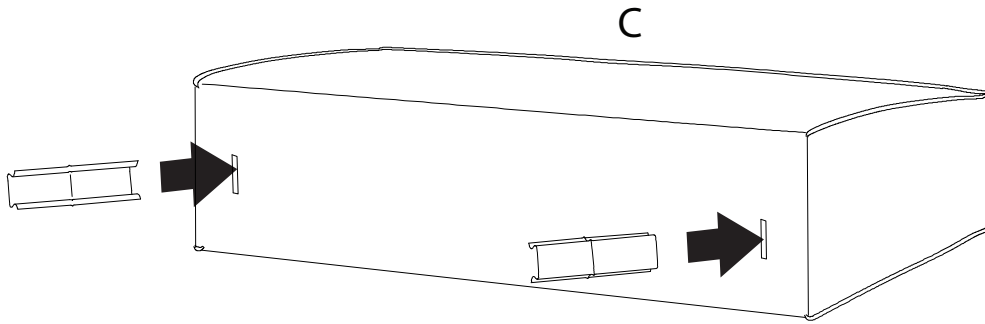
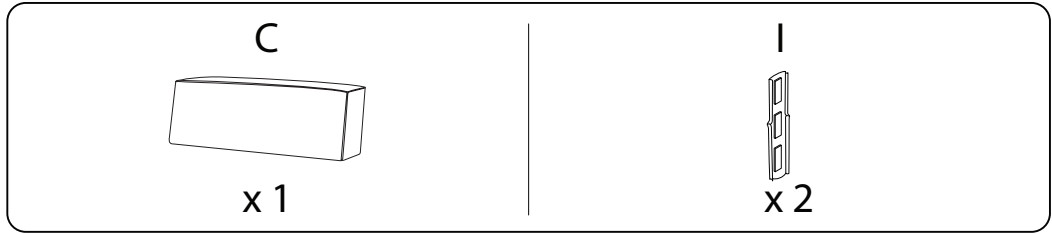


3

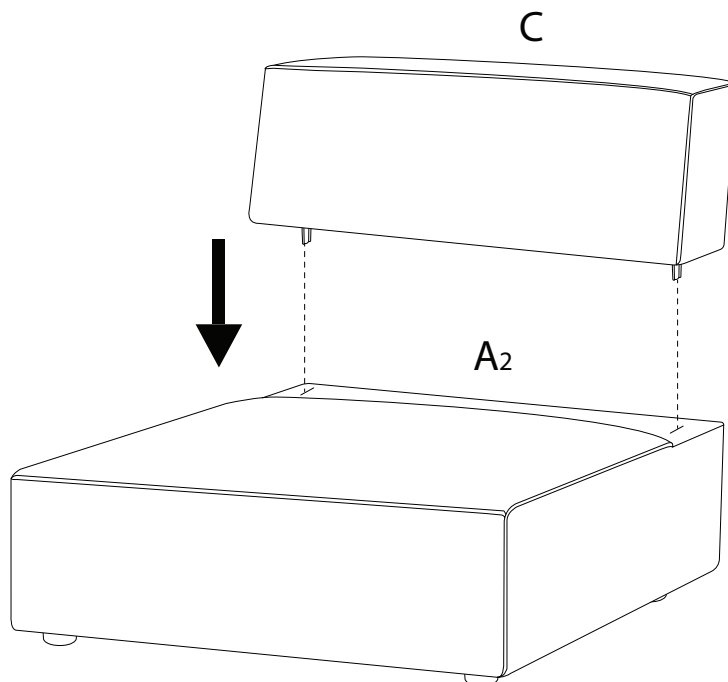
A₂



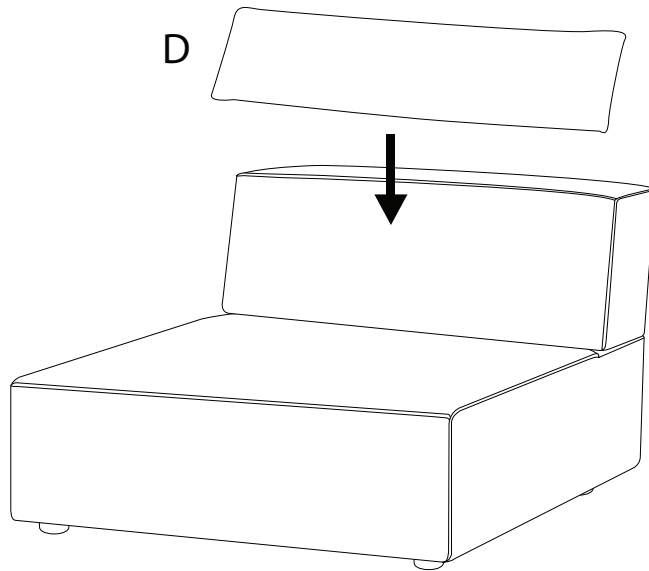
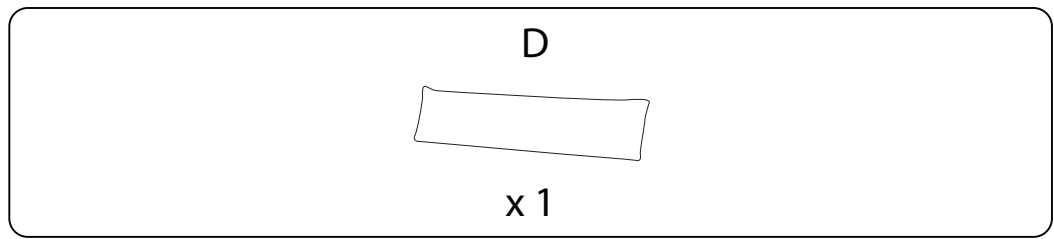
4




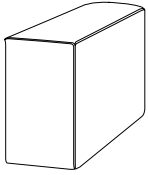


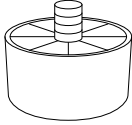
5

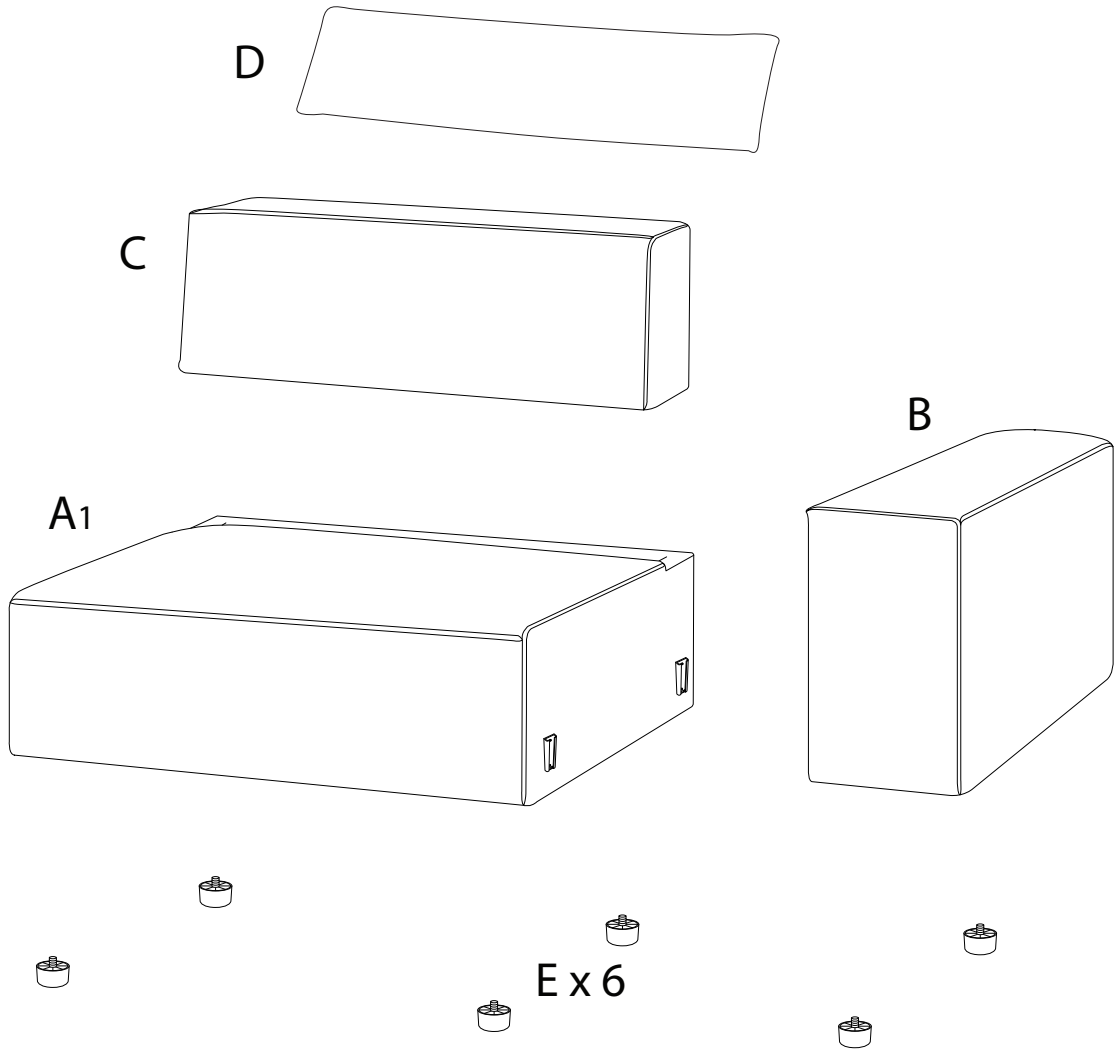


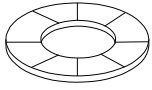
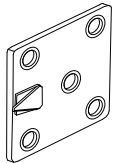
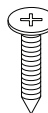
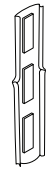
6



C

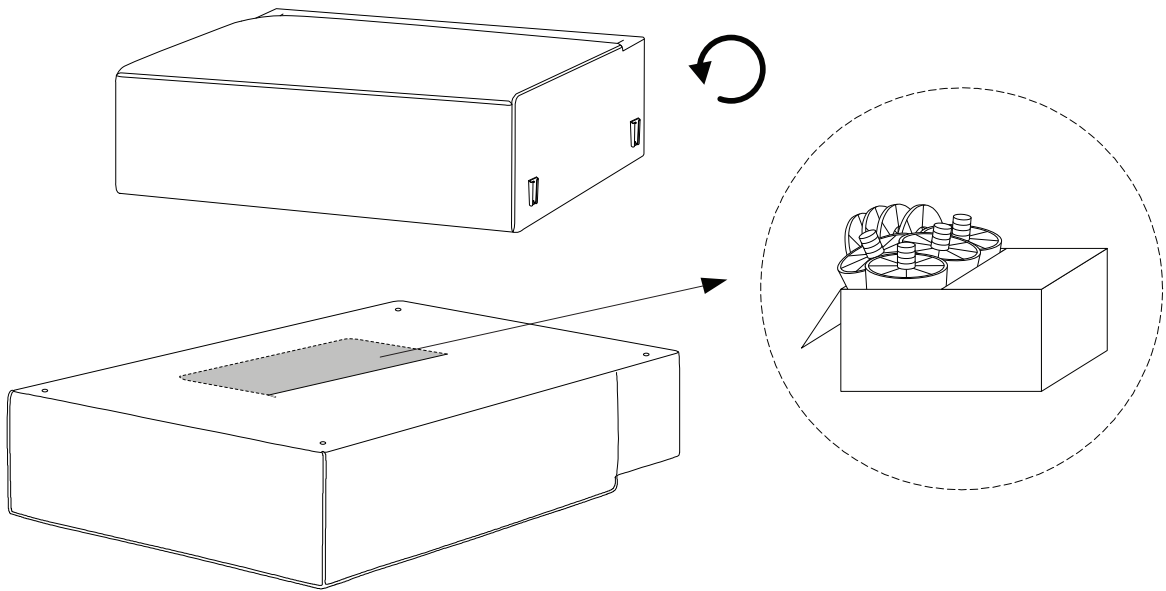
<p>A₁</p>  <p>x 1</p>	<p>B</p>  <p>x 1</p>	<p>C</p>  <p>x 1</p>	<p>D</p>  <p>x 1</p>	<p>E</p>  <p>x 6</p>
---	---	---	--	---



<p>F</p>  <p>x 6</p>	<p>G₁</p>  <p>x 2</p>	<p>H</p>  <p>M5 x 30</p> <p>x 10</p>	<p>I</p>  <p>x 2</p>
---	---	---	---

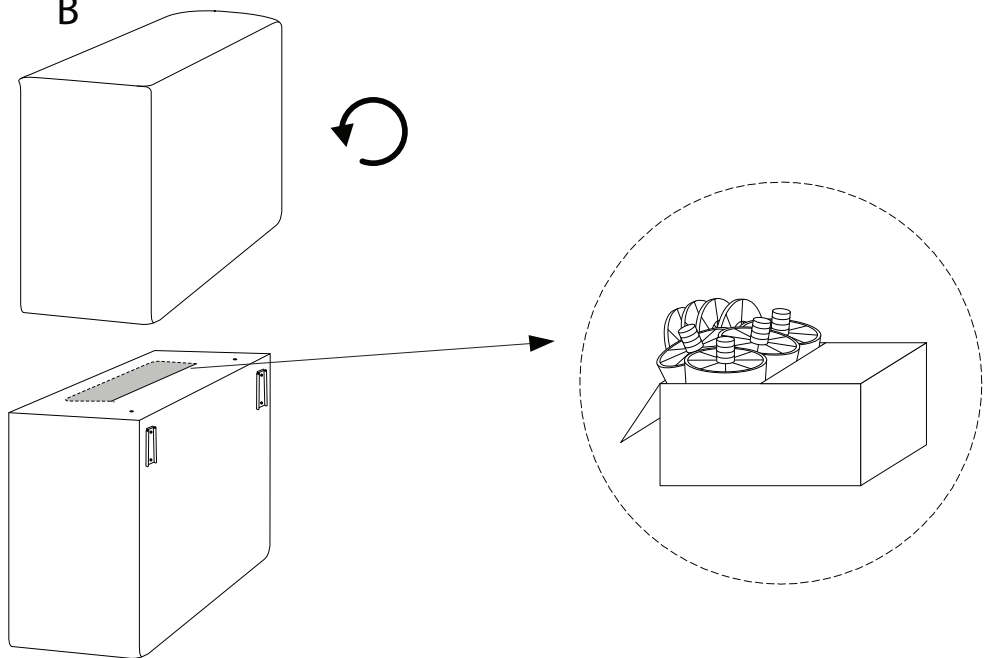
!

A₁

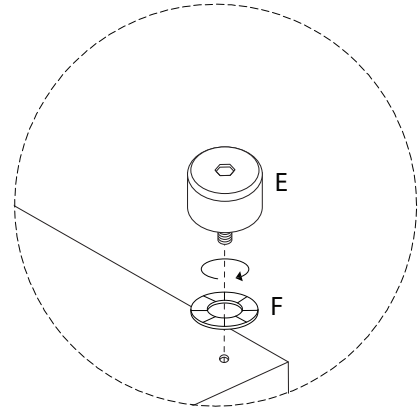
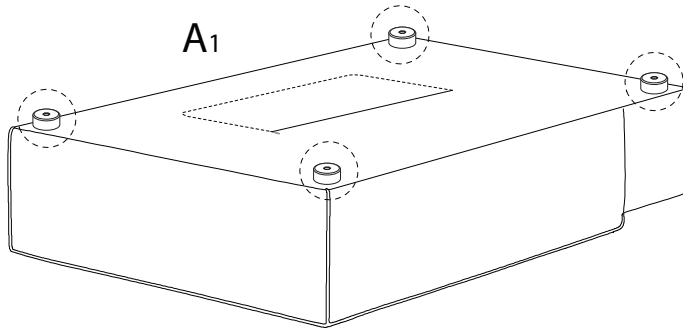
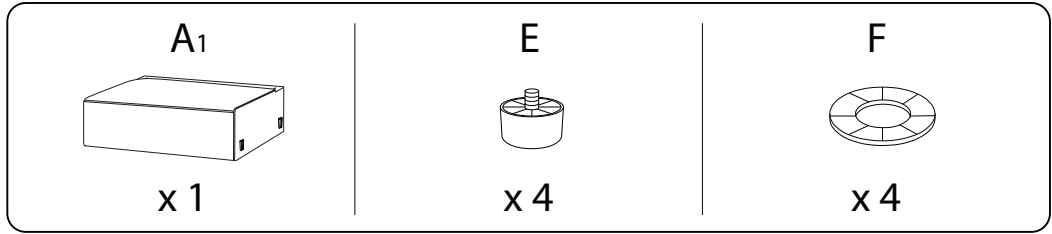


!

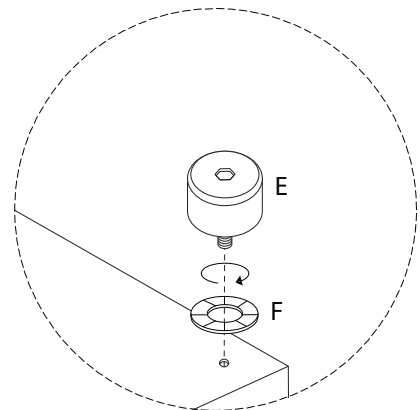
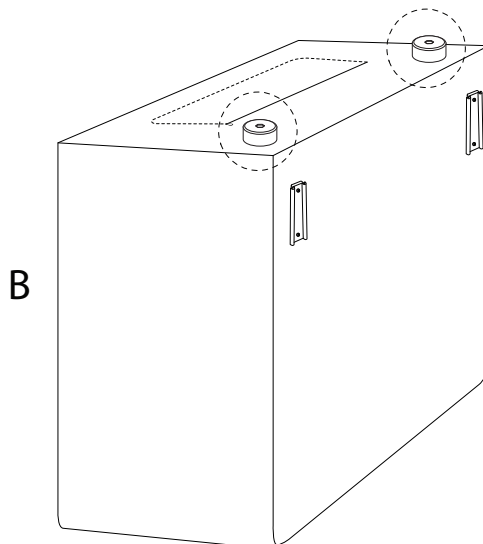
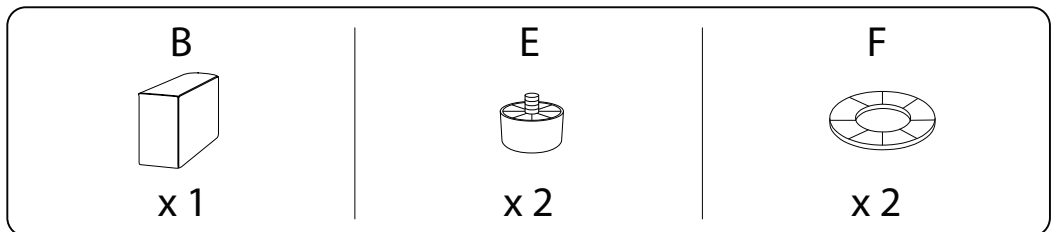
B



1

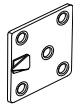


2



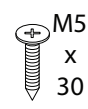
3

G₁

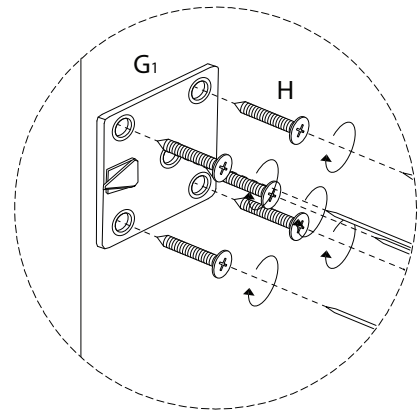
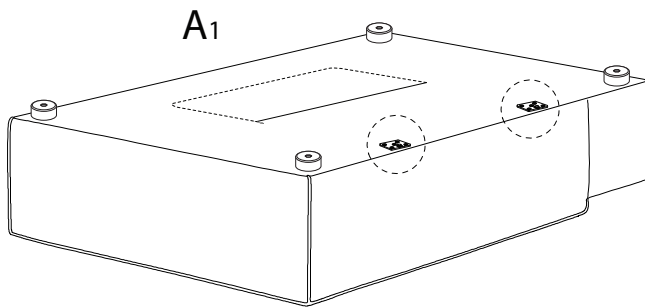


x 2

H



x 10



4

C

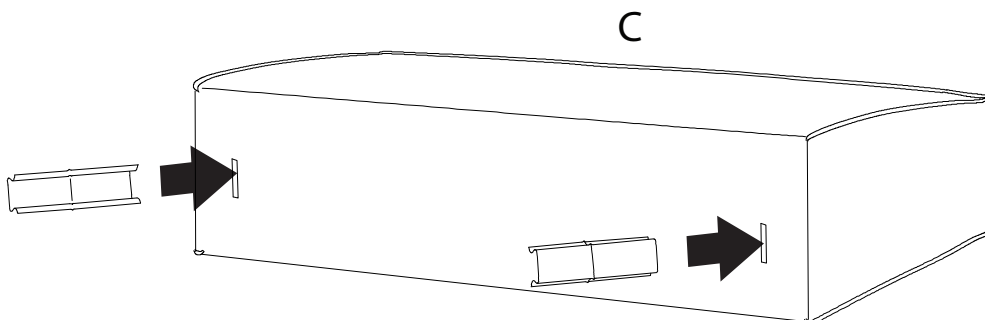


x 1

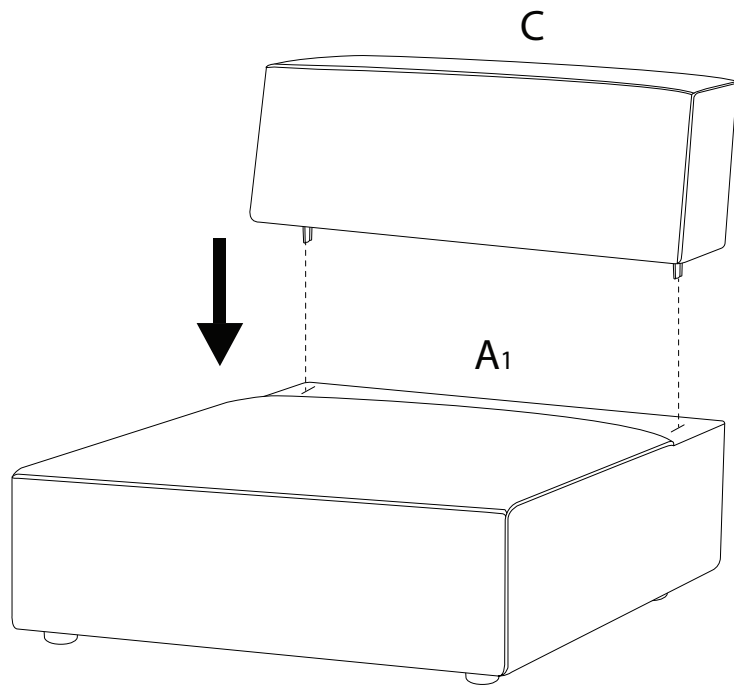
I



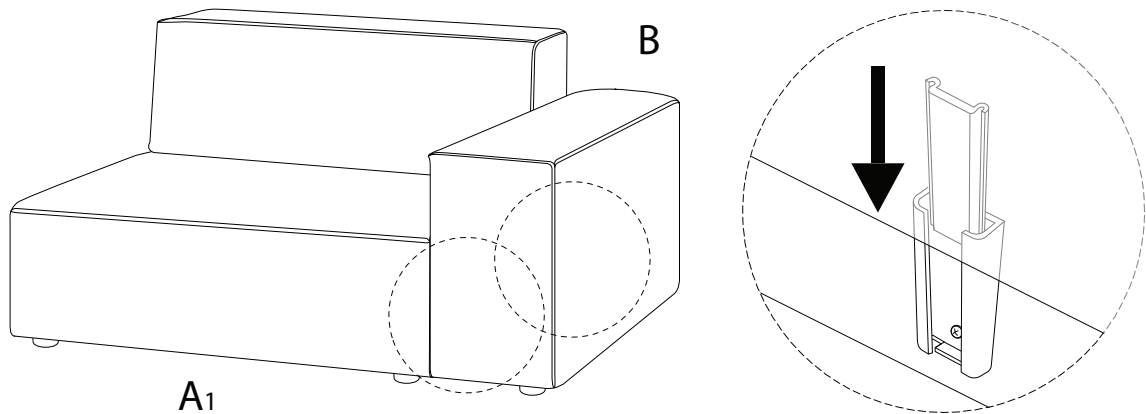
x 2



5

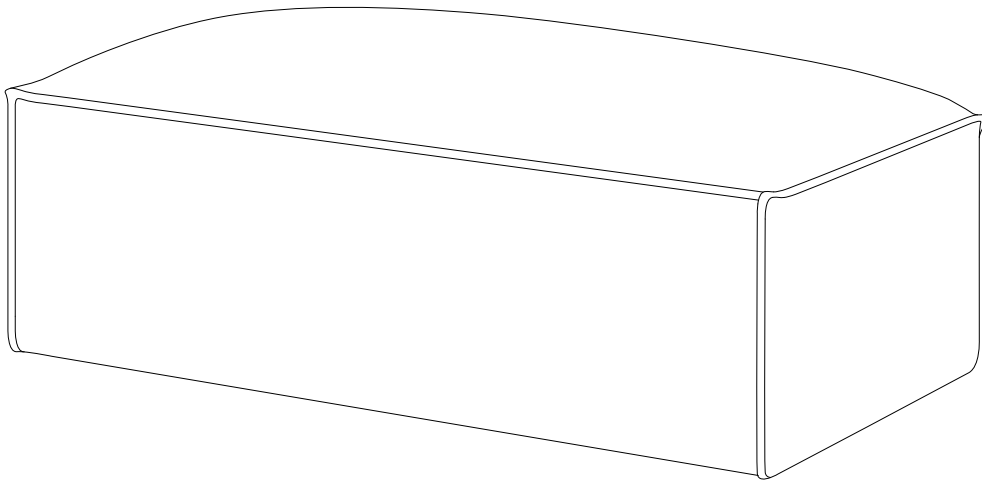


6



D

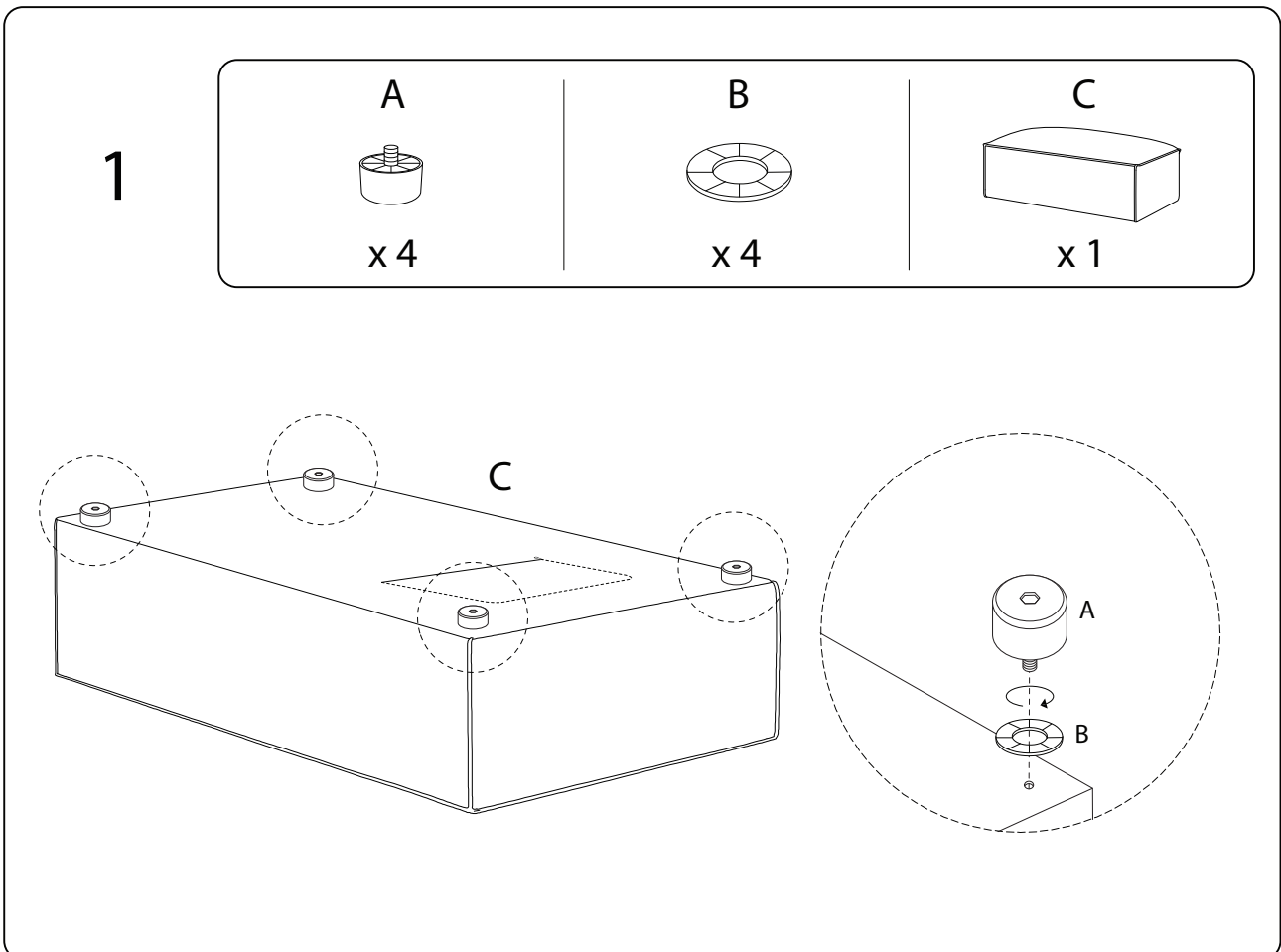
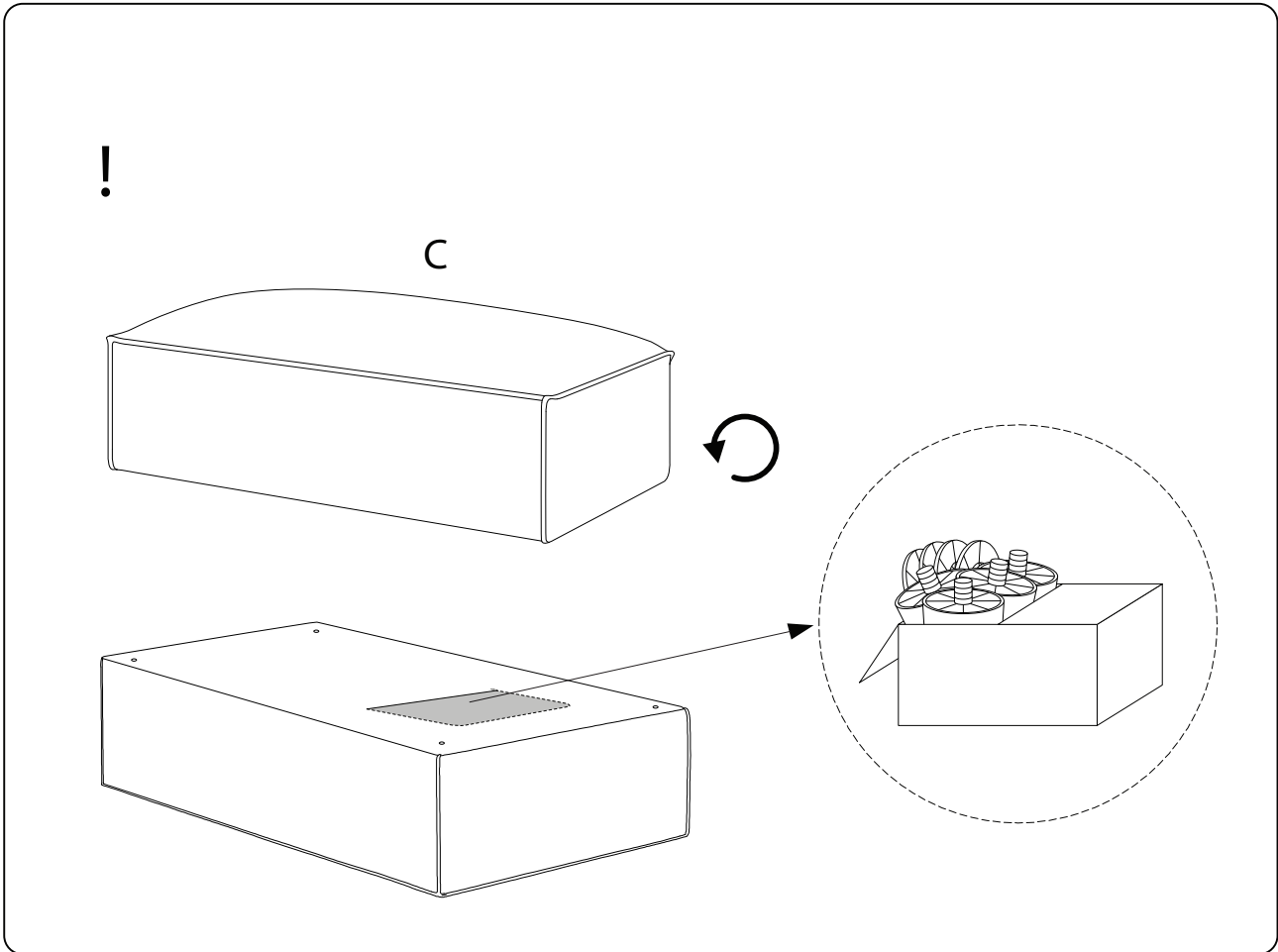
C



A x 4



A	B	C
x 4	x 4	x 1



!

