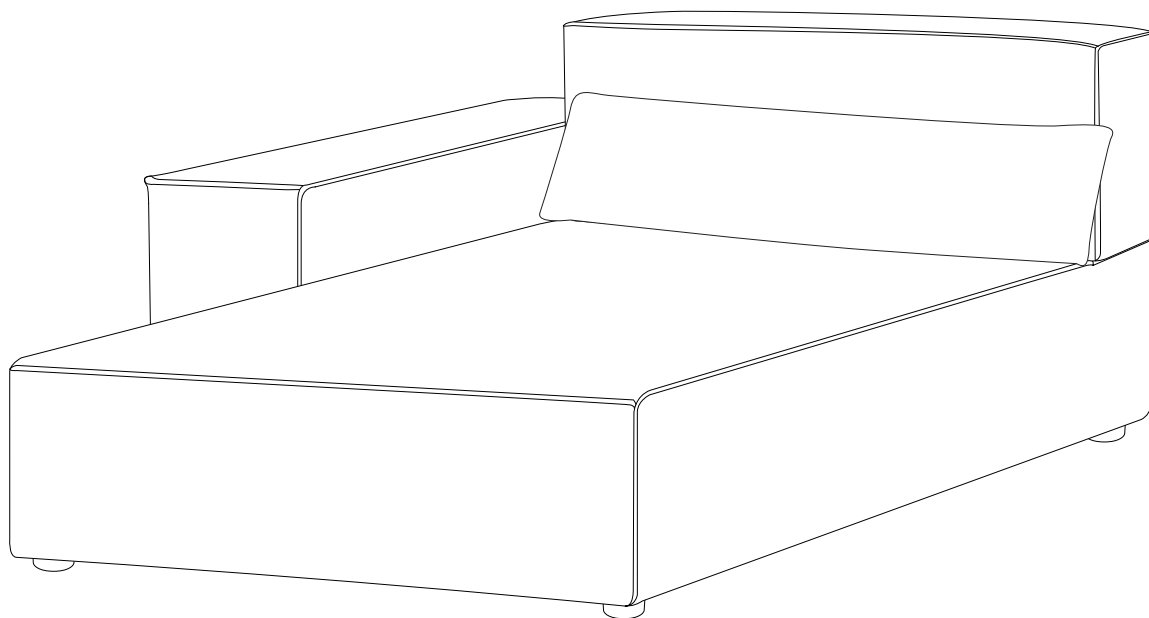
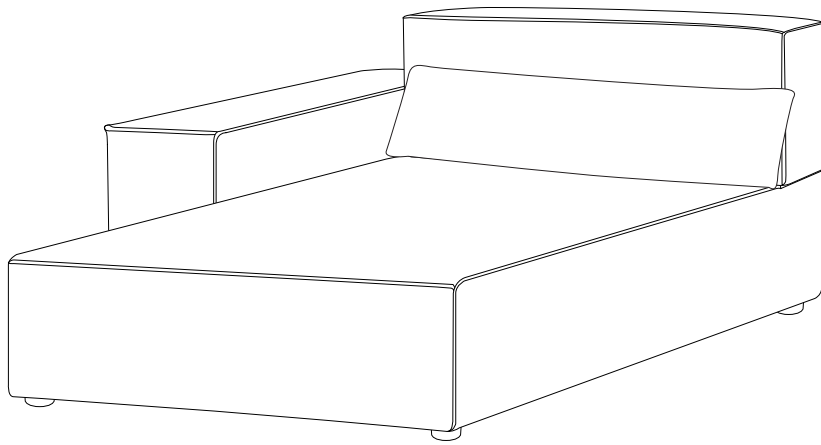
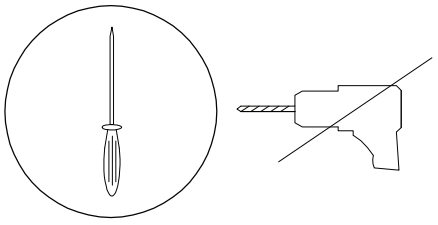

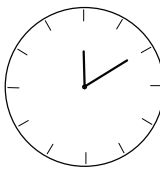
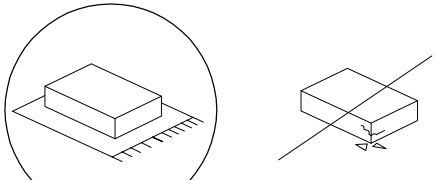


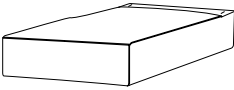
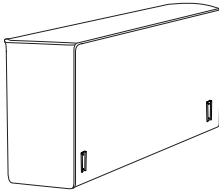


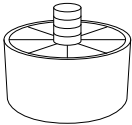


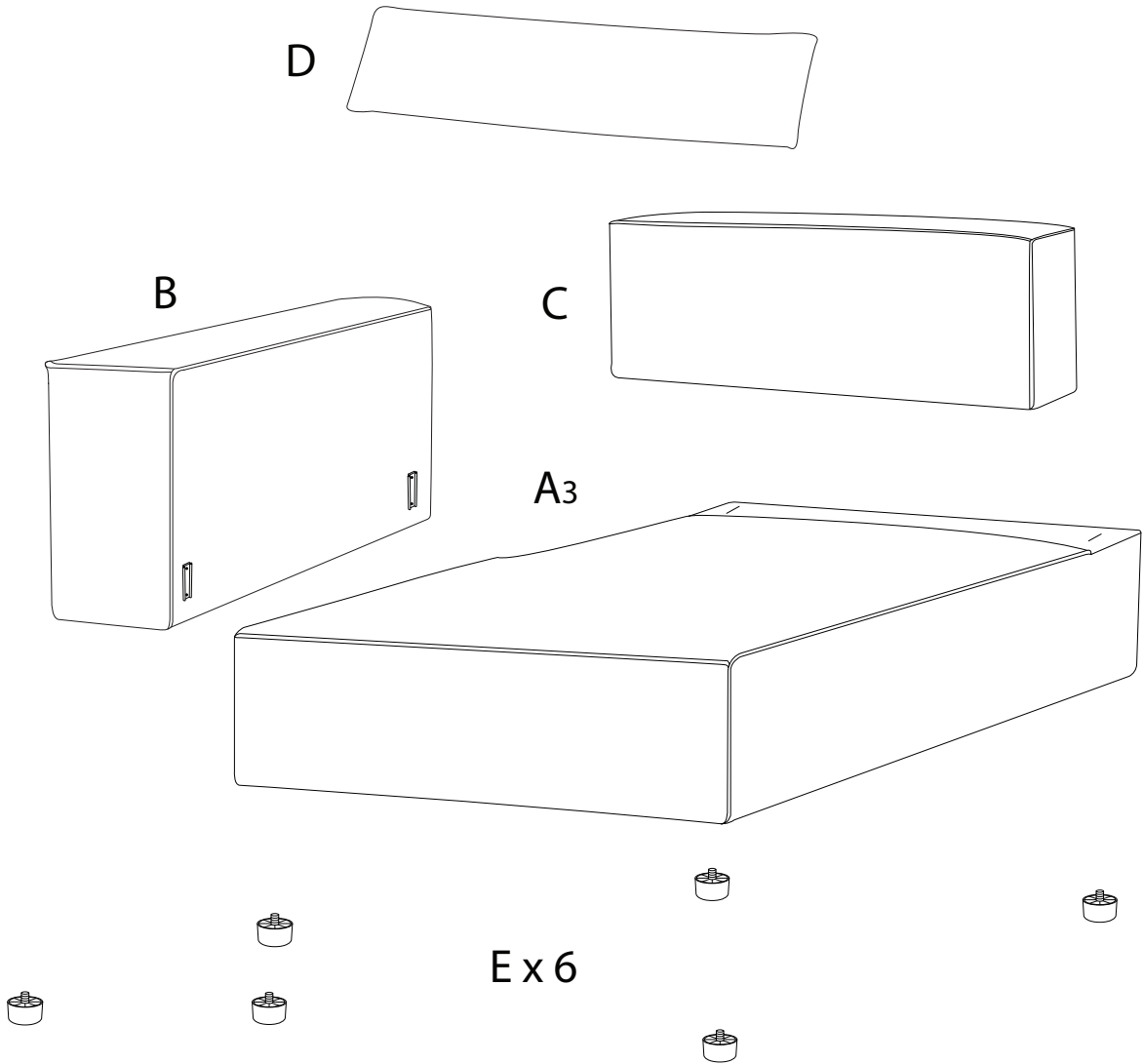
HELLNAR

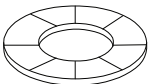
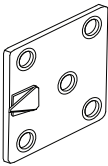
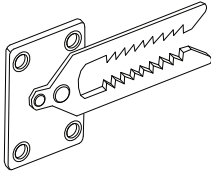
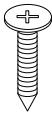





		
		10'
		
		2

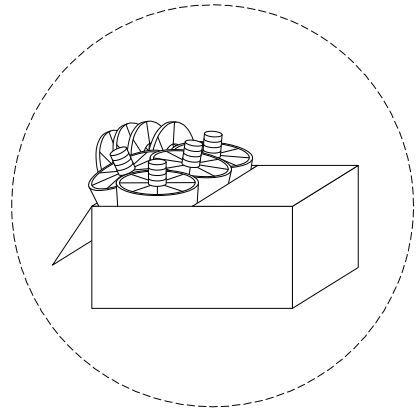
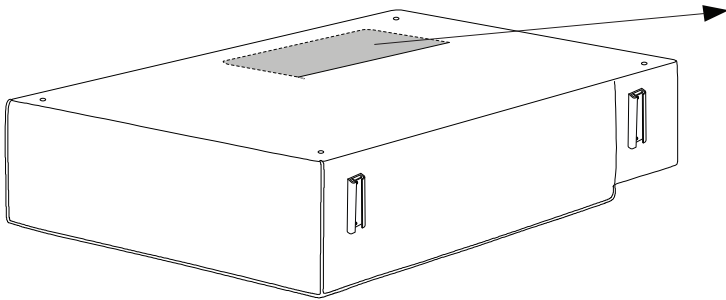
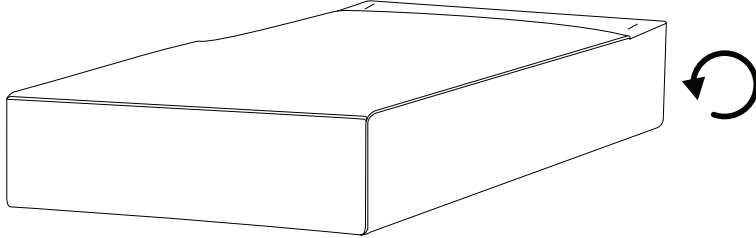
A₃	B	C	D	E
				
x 1	x 1	x 1	x 1	x 6



F	G₁	G₂	H	I
			 M5 x 30	
x 6	x 2	x 2	x 18	x 2

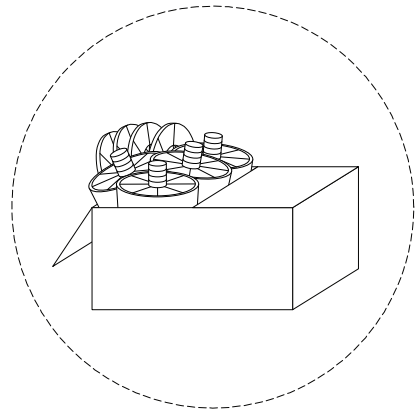
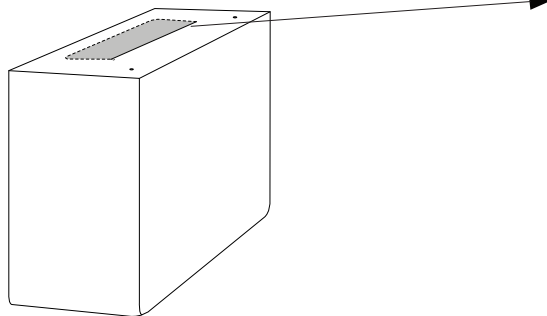
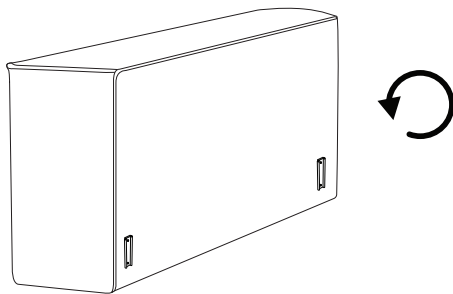
!

A₃

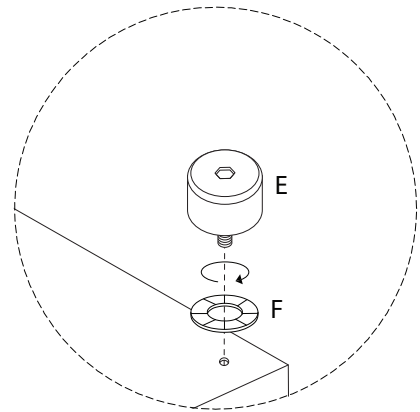
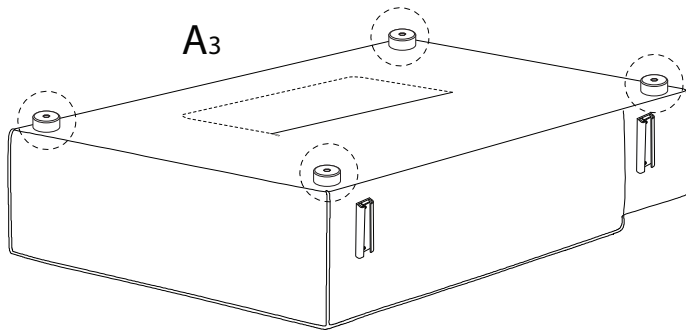
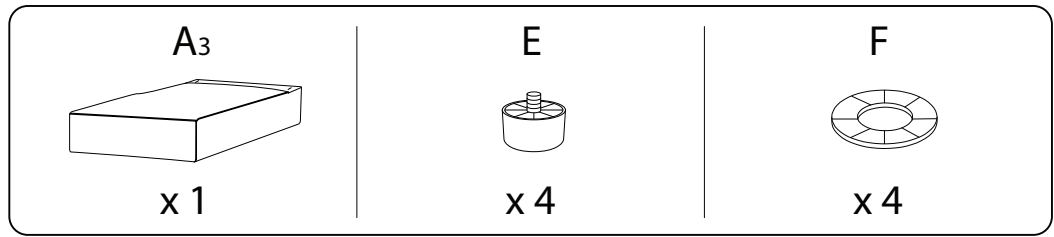


!

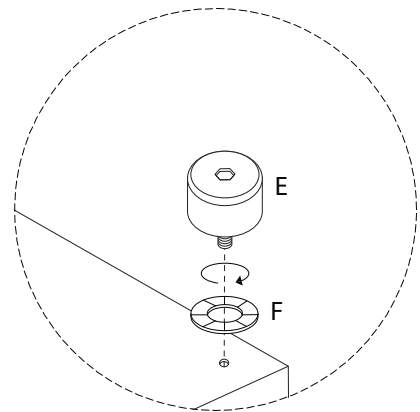
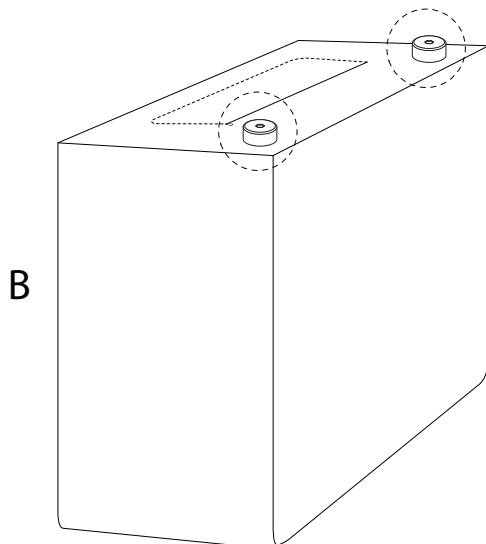
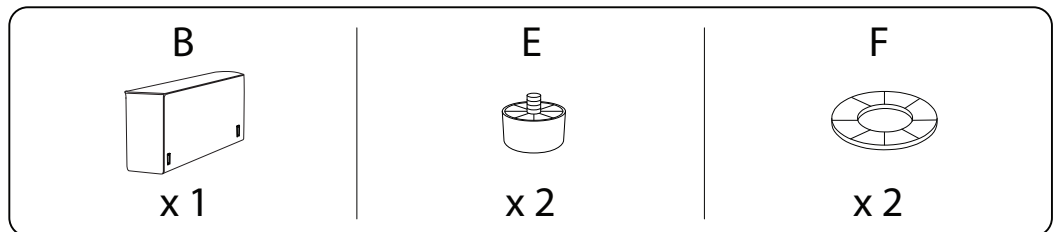
B



1

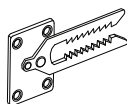


2



3R

G₂

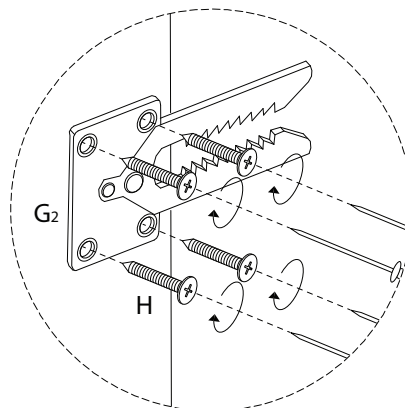
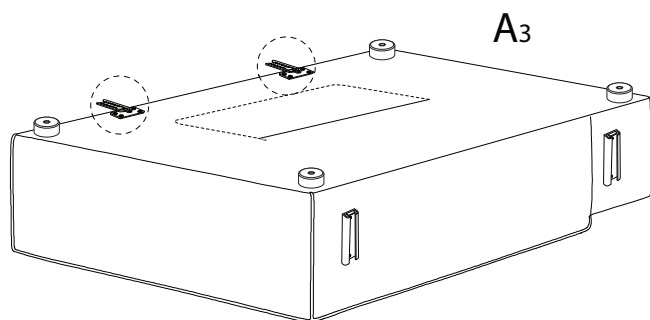


x 2

H

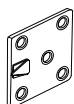


x 8



3L

G₁

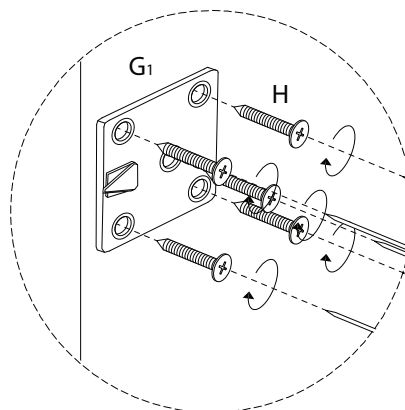
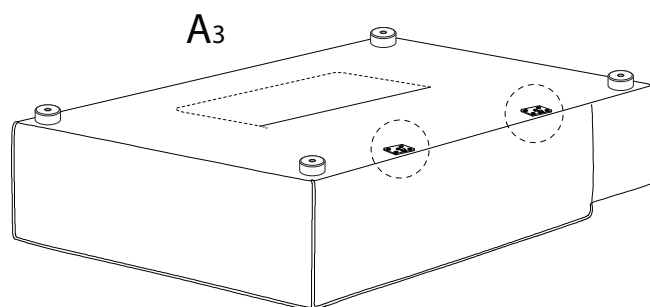


x 2

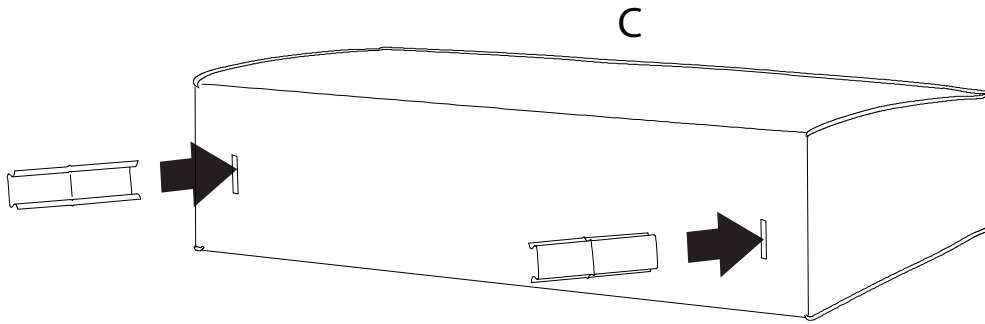
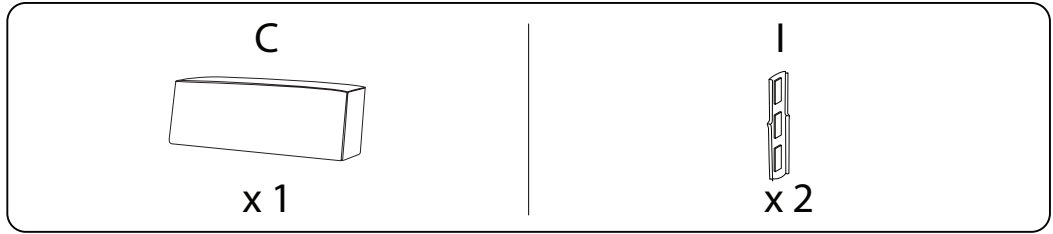
H



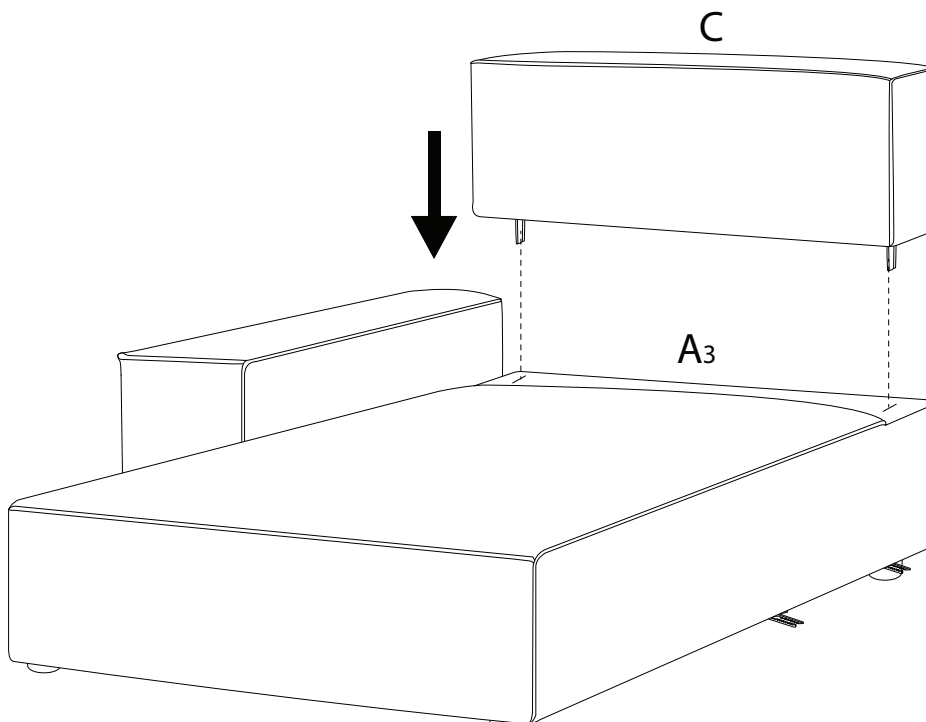
x 10



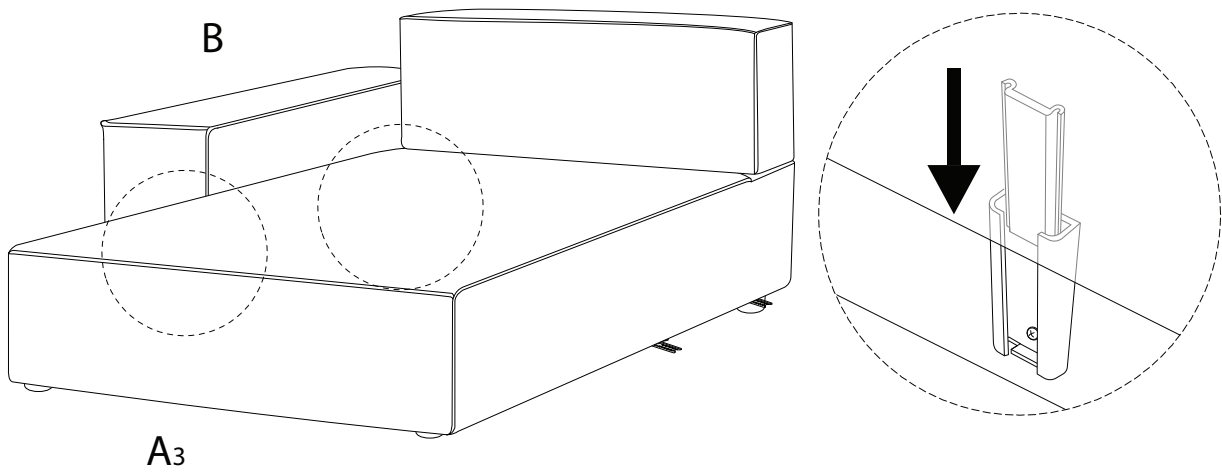
4



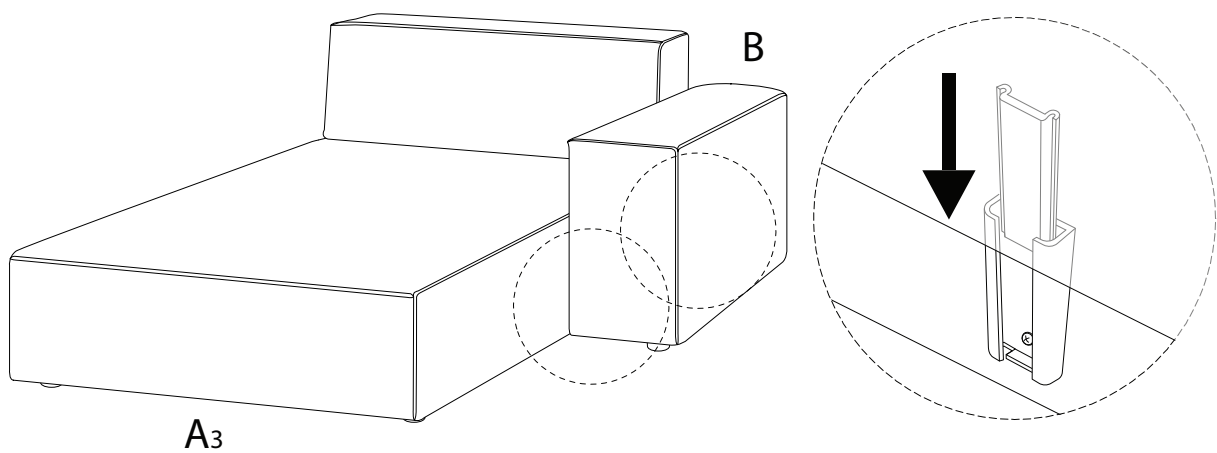
5



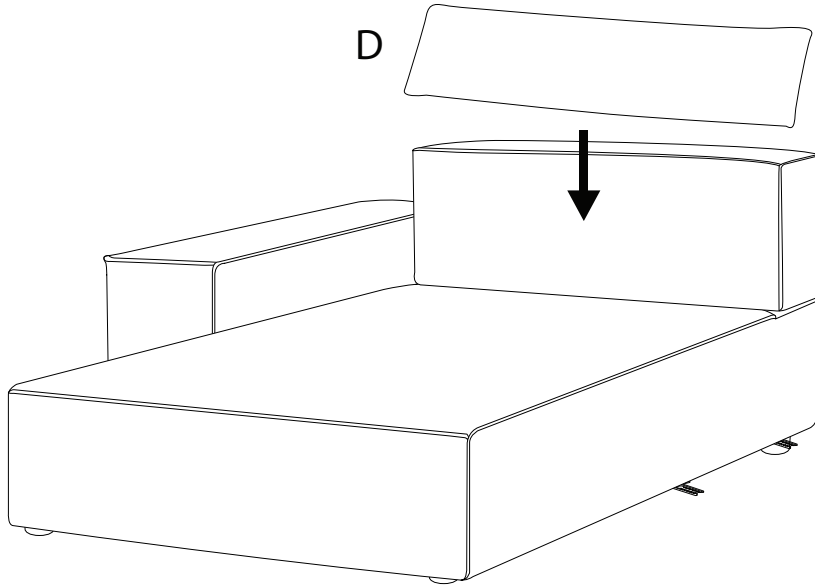
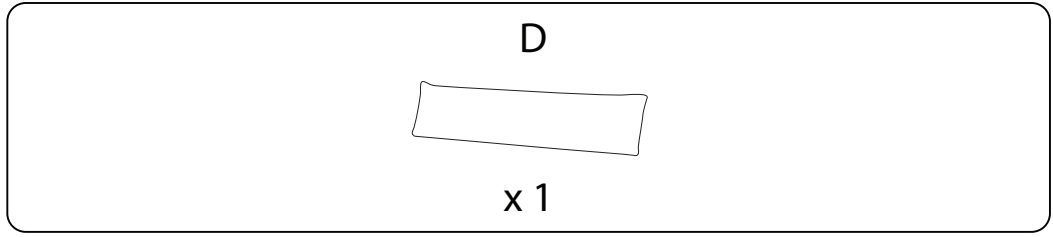
6R



6L



7



!

