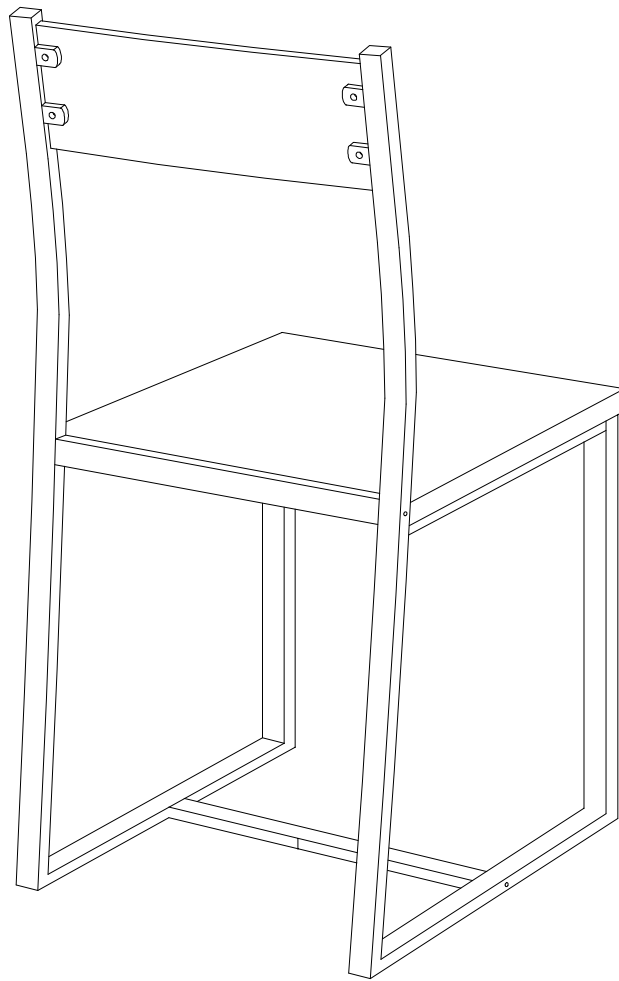


# LAREDO



x 6

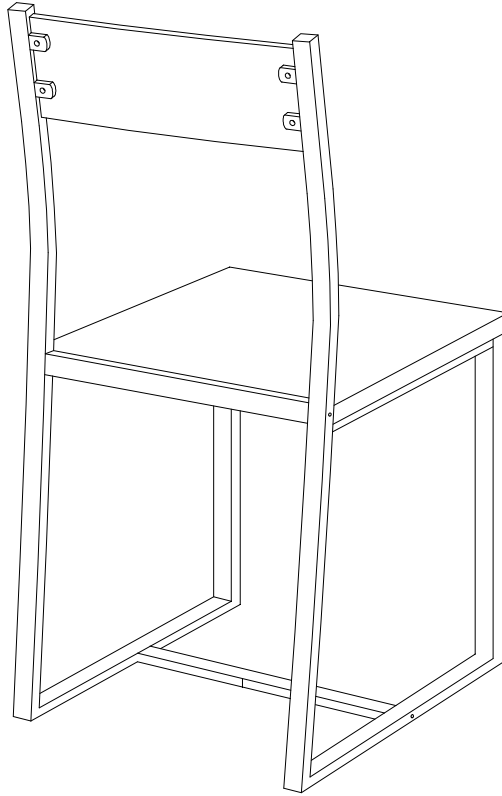
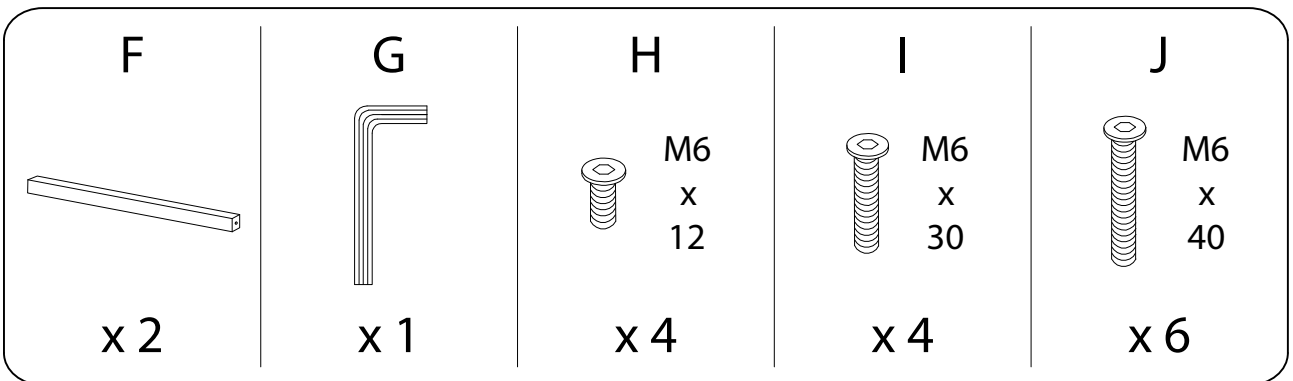
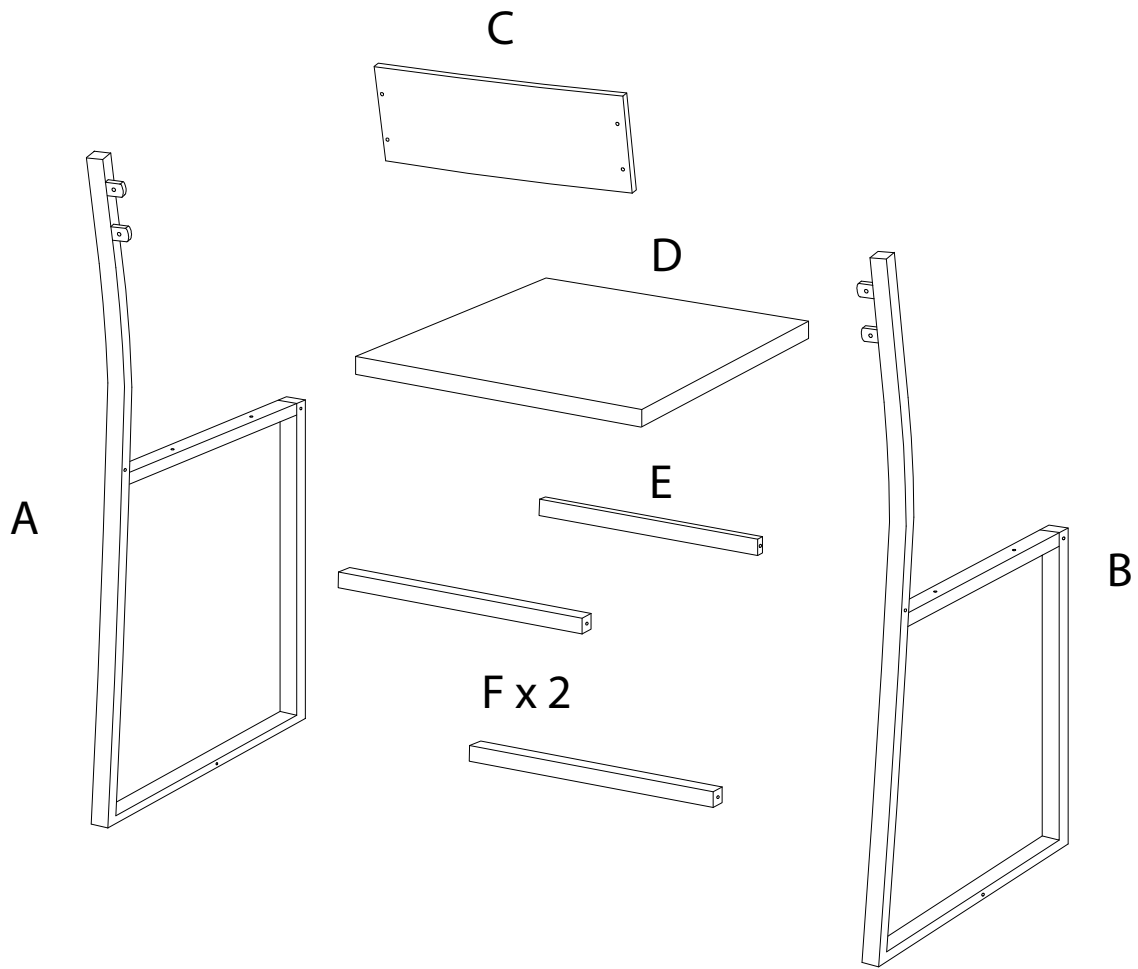
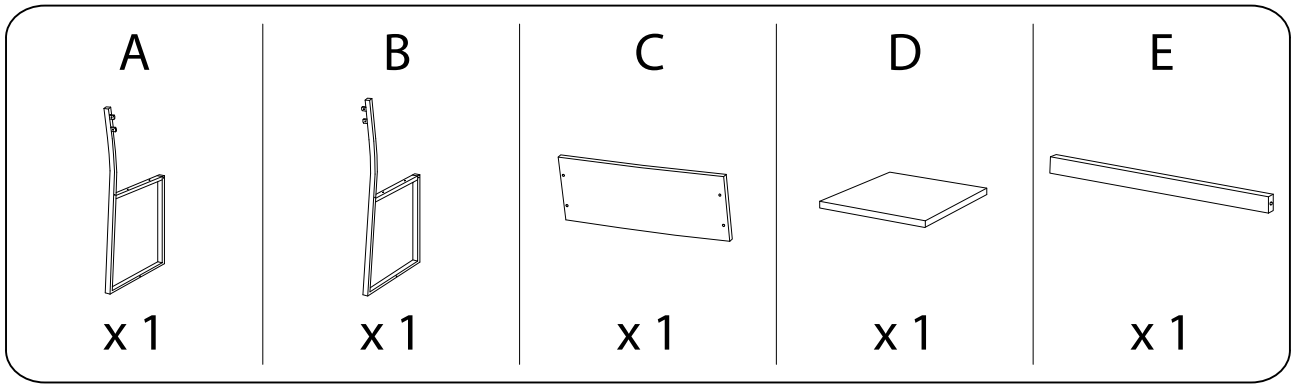
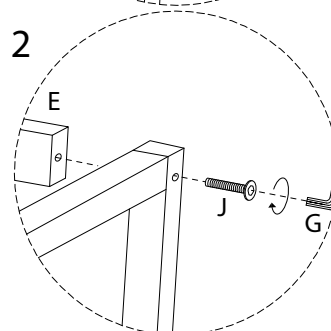
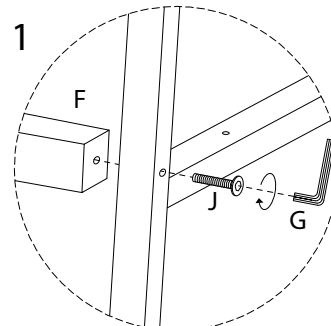
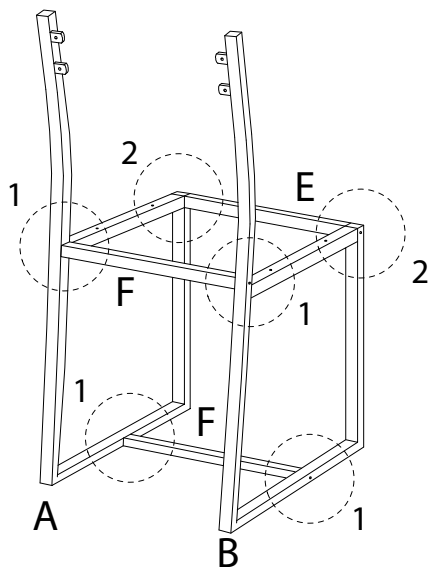
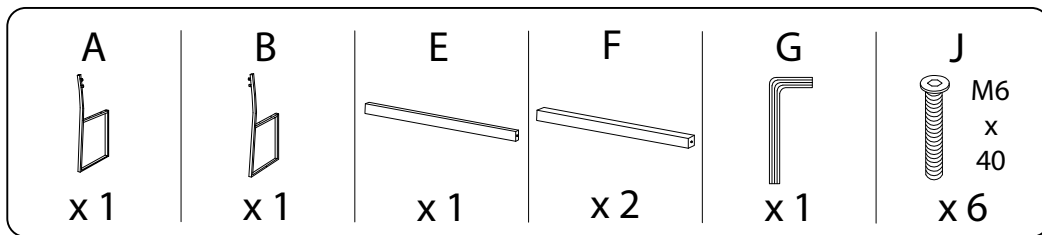


Diagram illustrating assembly instructions and safety warnings:

- Warning 1:** A warning triangle with an exclamation mark is shown next to a circular inset containing an L-shaped metal bracket and a crossed-out power drill icon, indicating that a power drill should not be used for this step.
- Warning 2:** A second warning triangle with an exclamation mark is shown next to a circular inset containing a rectangular block being placed on a surface and a crossed-out icon of the block being lifted, indicating that the block should be placed on a soft surface and not lifted.
- Time:** A clock icon is shown next to the text "70'", indicating an estimated assembly time of 70 minutes.
- Personnel:** An icon of a person is shown next to the number "2", indicating that two people are required for assembly.



1



2

