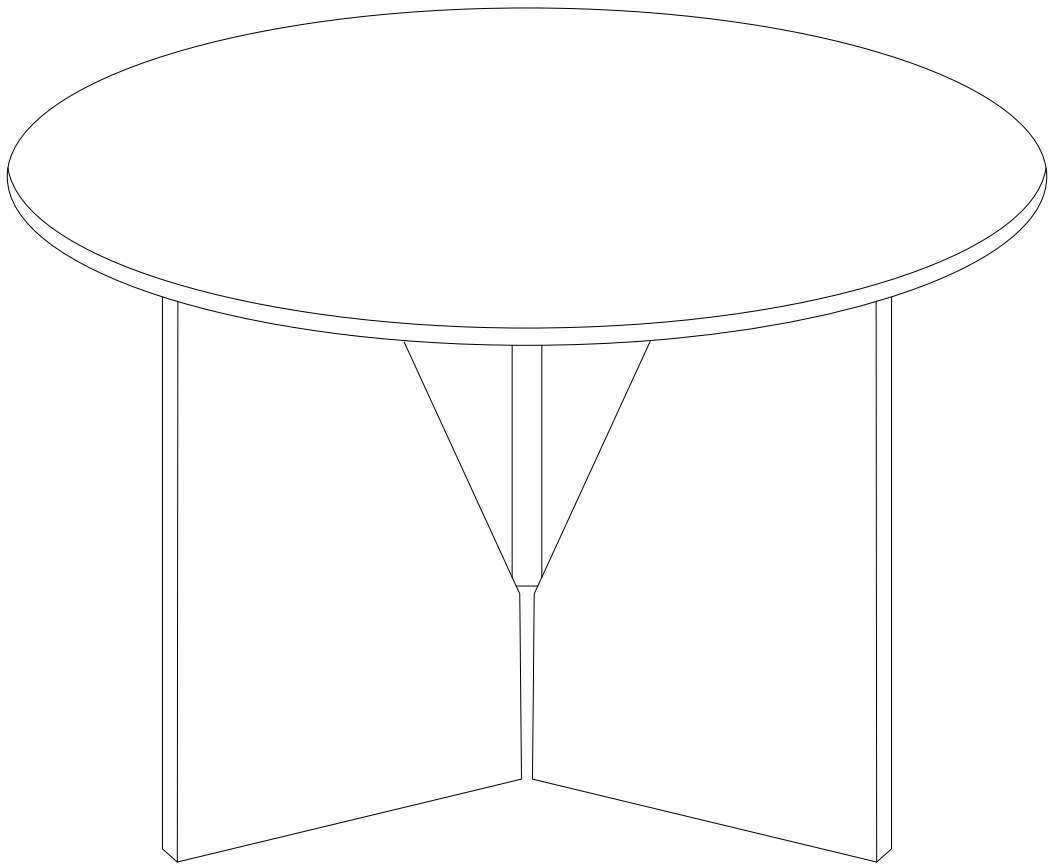
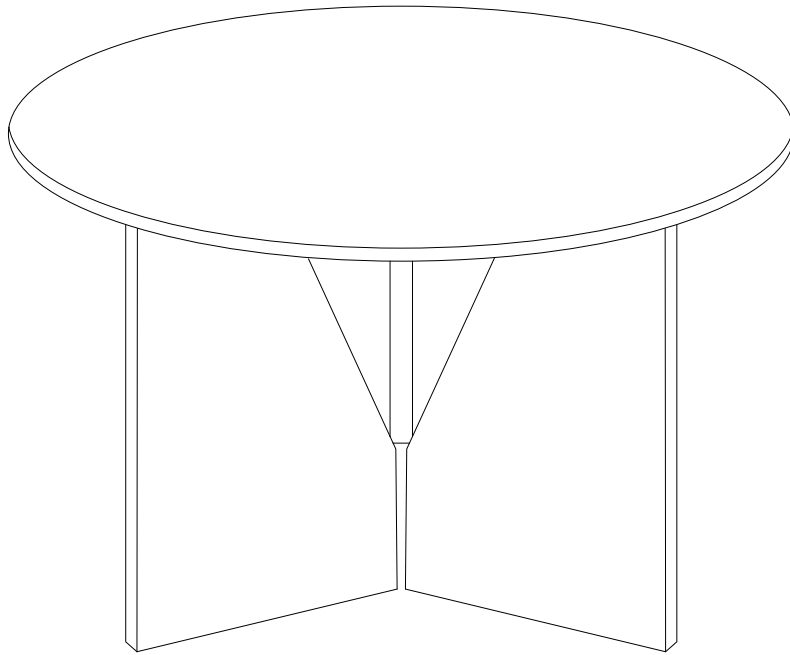


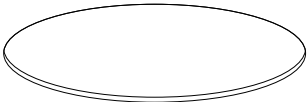
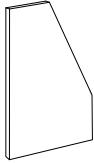
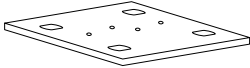
# ARRAN

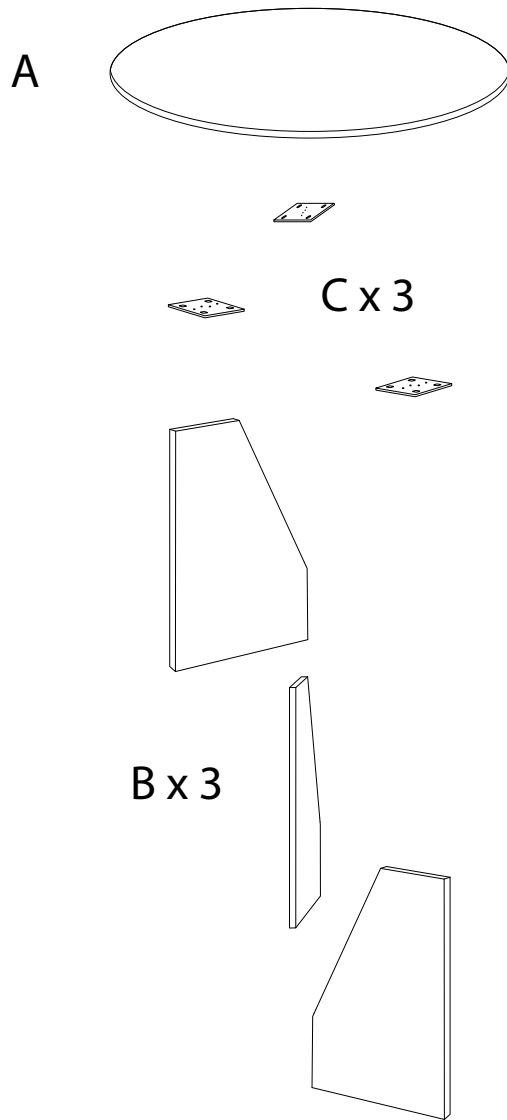


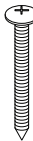

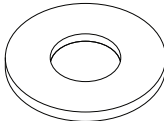



Assembly instructions for the table base:

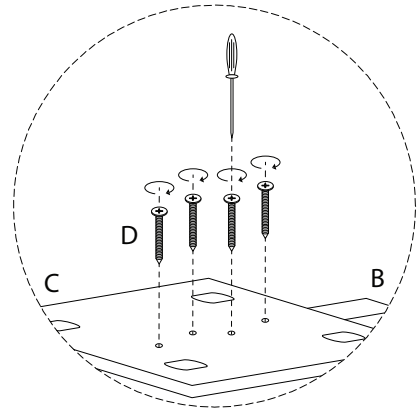
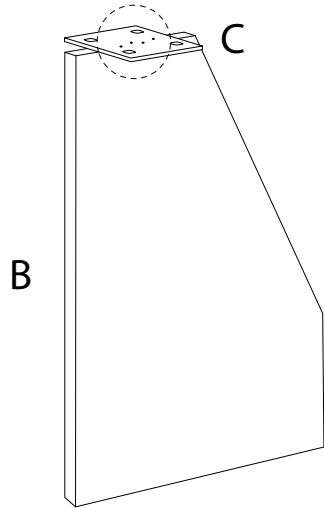
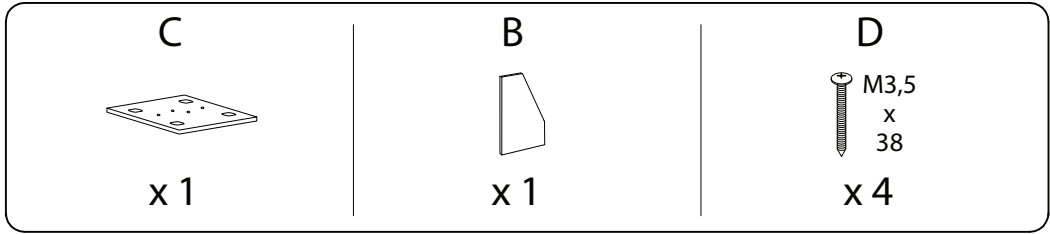
- Top Section:** A box containing a screwdriver and an Allen key (circled), a crossed-out power drill, and a warning triangle. To the right is a clock icon and the text "60'".
- Bottom Section:** A box containing a rectangular block on a textured surface (circled), a crossed-out block with a hole, and a warning triangle. To the right is a person icon and the text "2".

|   |   |   |
|---|---|---|
| <p><b>A</b></p>  <p><b>x 1</b></p> | <p><b>B</b></p>  <p><b>x 3</b></p> | <p><b>C</b></p>  <p><b>x 3</b></p> |
|---|---|---|



|  |  |   |   |
|--|--|---|---|
| <p><b>D</b></p>  <p>M3,5<br/>x<br/>38</p> <p><b>x12</b></p> | <p><b>E</b></p>  <p>M8<br/>x<br/>20</p> <p><b>x12</b></p> | <p><b>F</b></p>  <p><b>x 12</b></p> | <p><b>G</b></p>  <p><b>x 1</b></p> |
|--|--|---|---|

1 x 3



2

