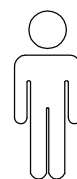
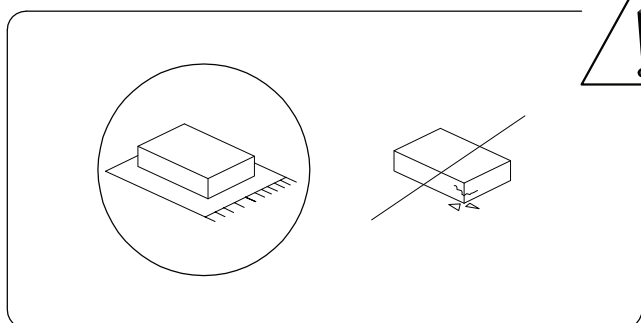
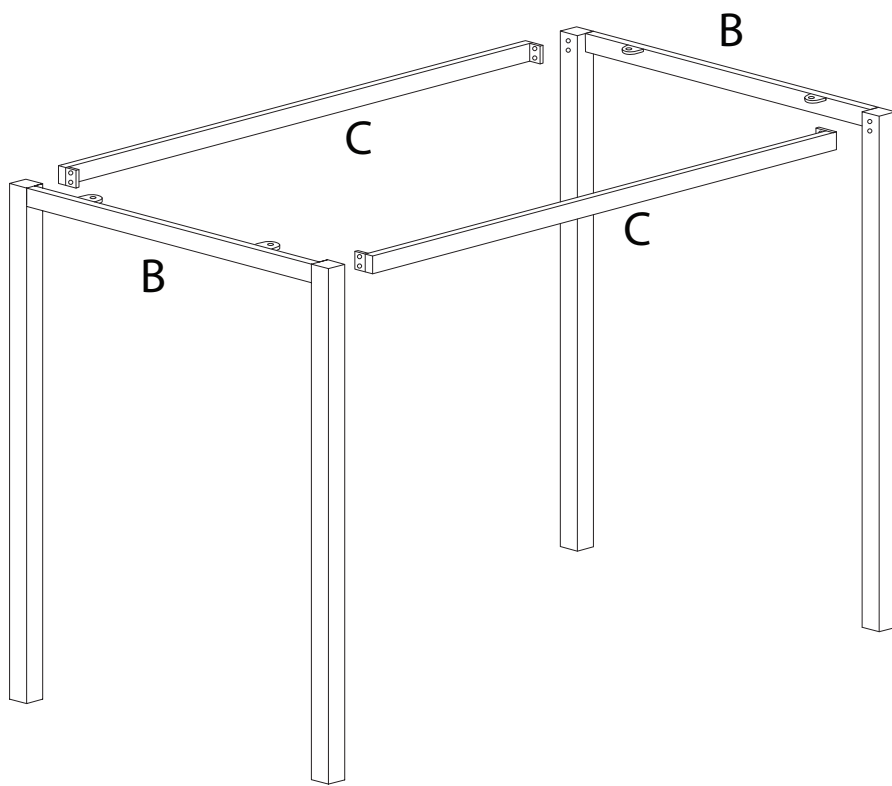
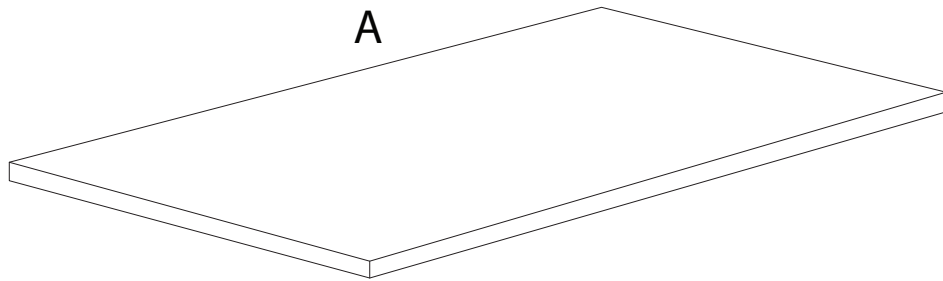



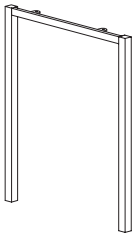
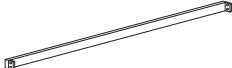


60'



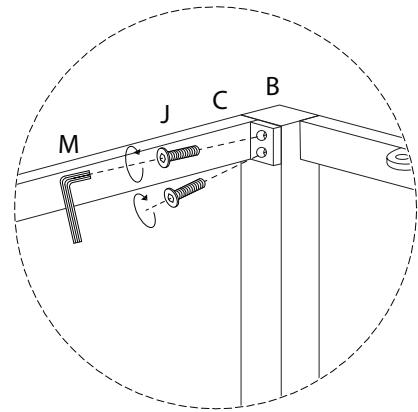
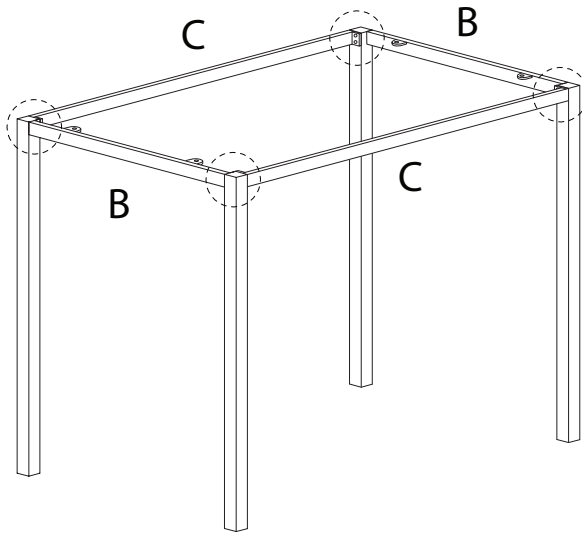
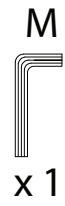
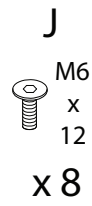
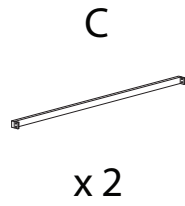
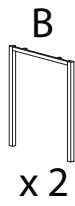
2

# A

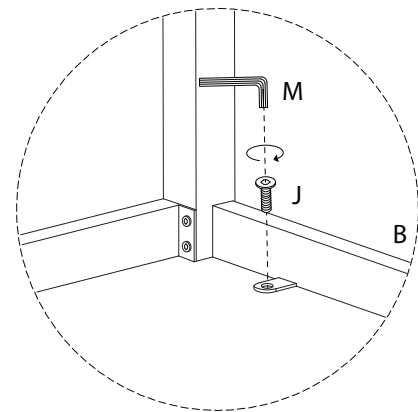
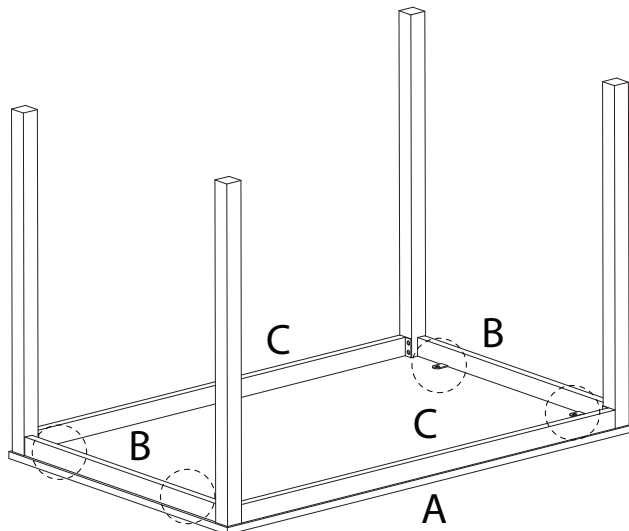
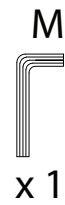
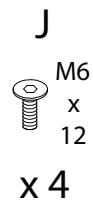
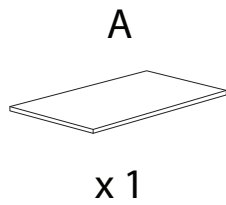


A	B	C	J	M
			 M6 x 12	
x 1	x 2	x 2	x 12	x 1

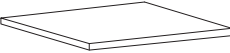

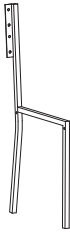


1

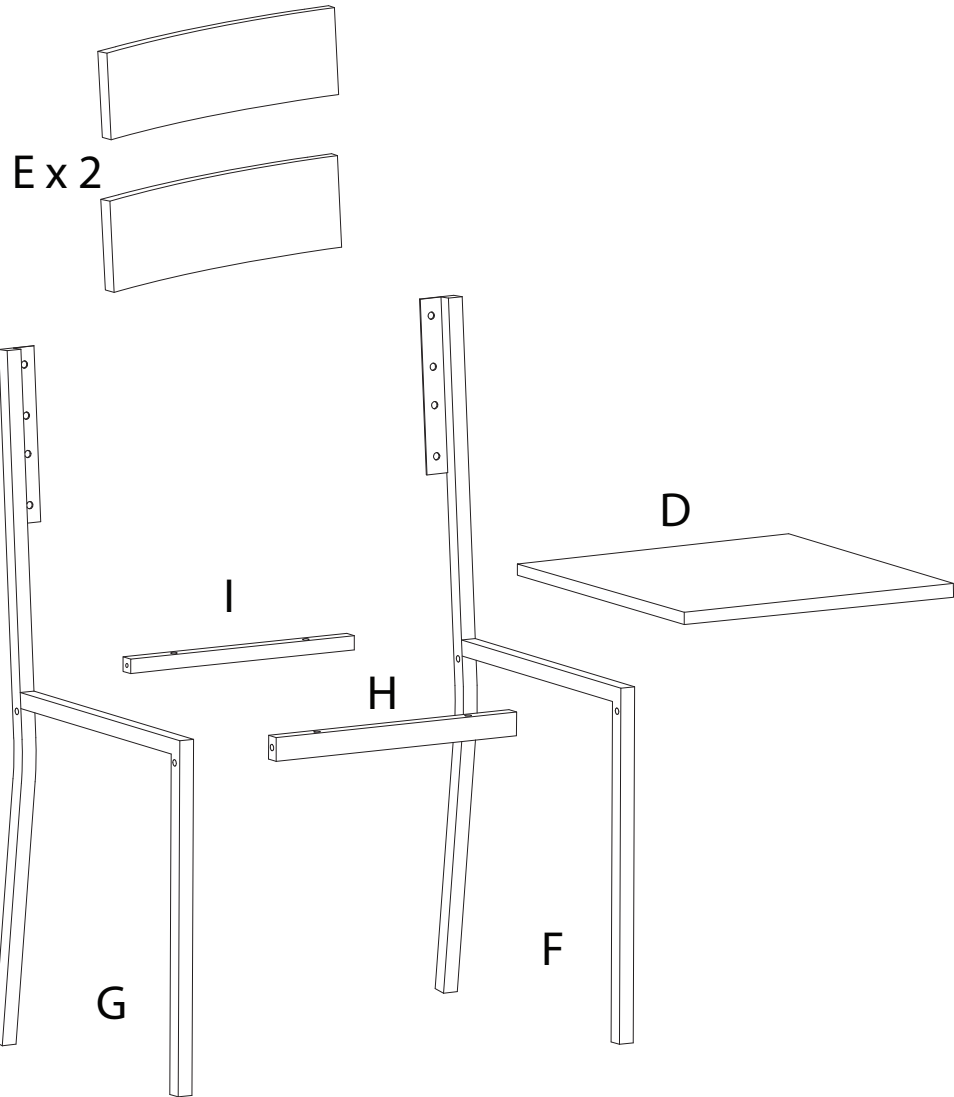




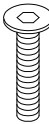
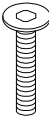

2



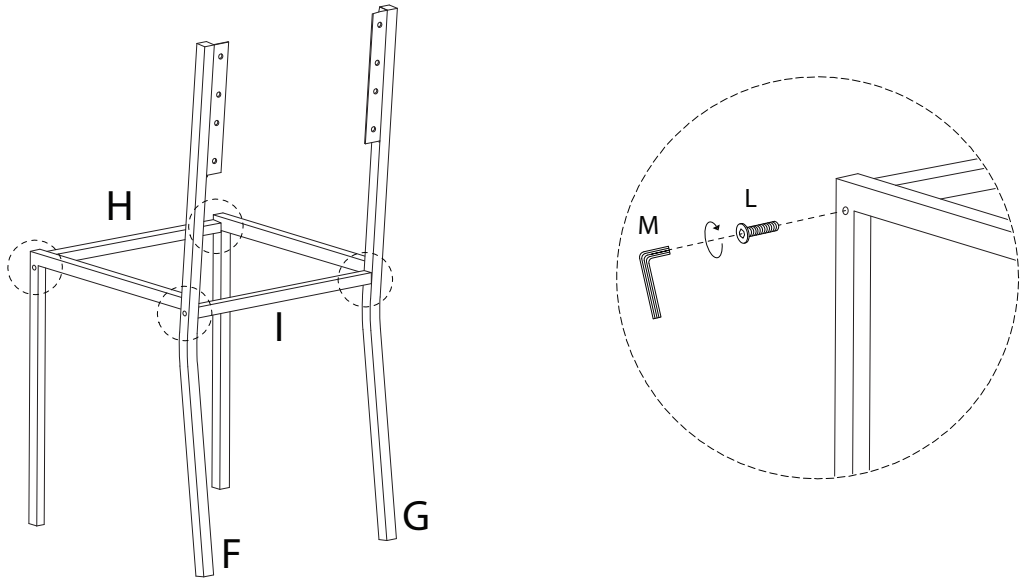
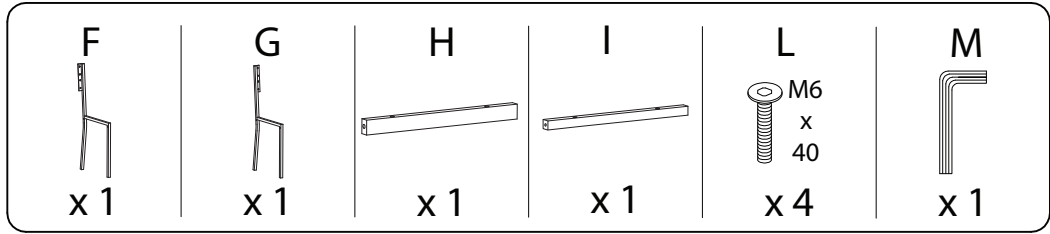
# B x 4

<b>D</b>  <b>x 1</b>	<b>E</b>  <b>x 2</b>	<b>F</b>  <b>x 1</b>	<b>G</b>  <b>x 1</b>	<b>H</b>  <b>x 1</b>
---	---	---	---	---

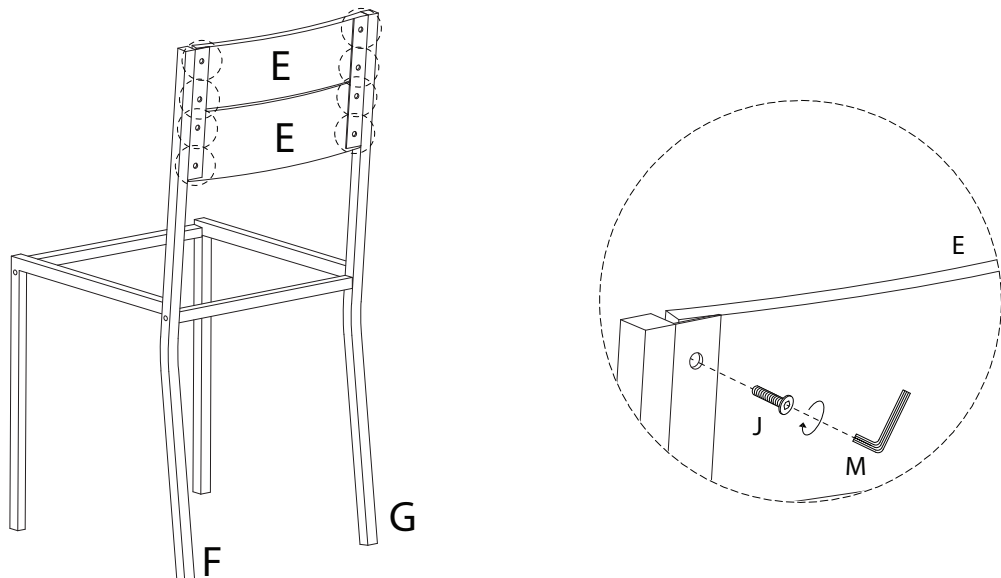
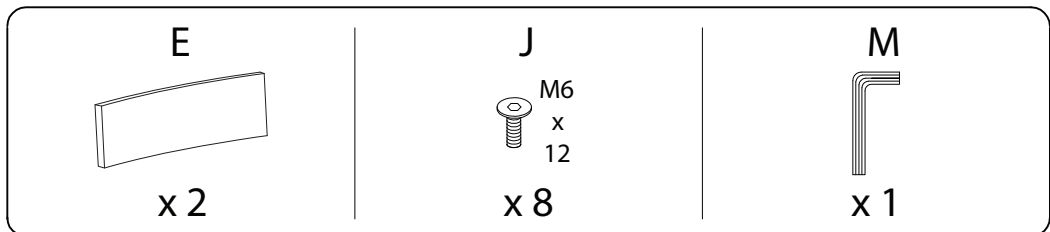


<b>I</b>  <b>x 1</b>	<b>J</b> M6 x 12  <b>x 8</b>	<b>K</b> M6 x 30  <b>x 2</b>	<b>L</b> M6 x 40  <b>x 6</b>	<b>M</b>  <b>x 1</b>
---	--	--	--	---

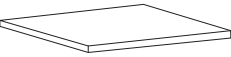

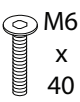
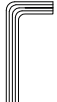
1



2



3

<p>D</p>  <p>x 1</p>	<p>K</p>  <p>x 2</p>	<p>L</p>  <p>x 2</p>	<p>M</p>  <p>x 1</p>
---	---	--	---

