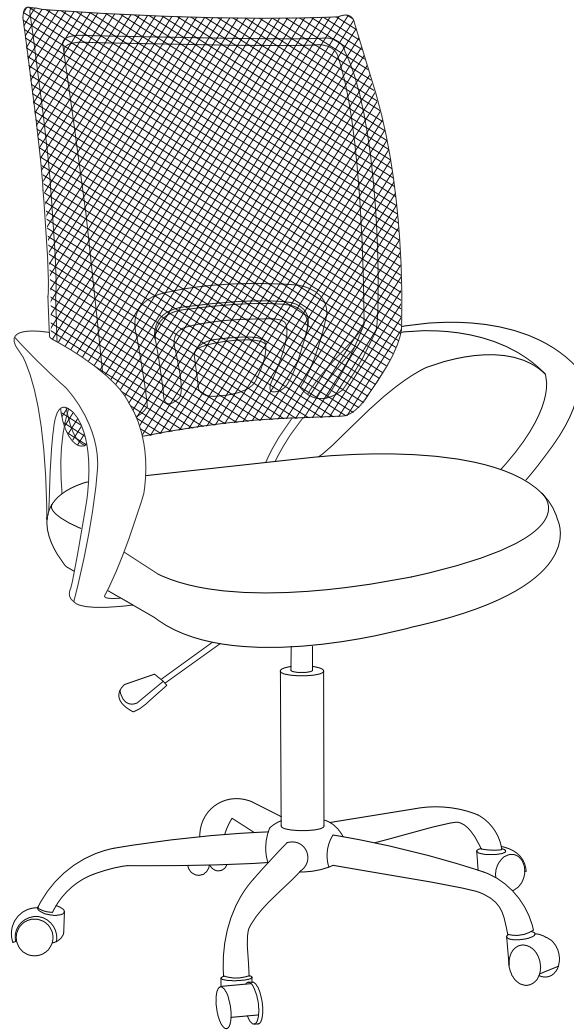
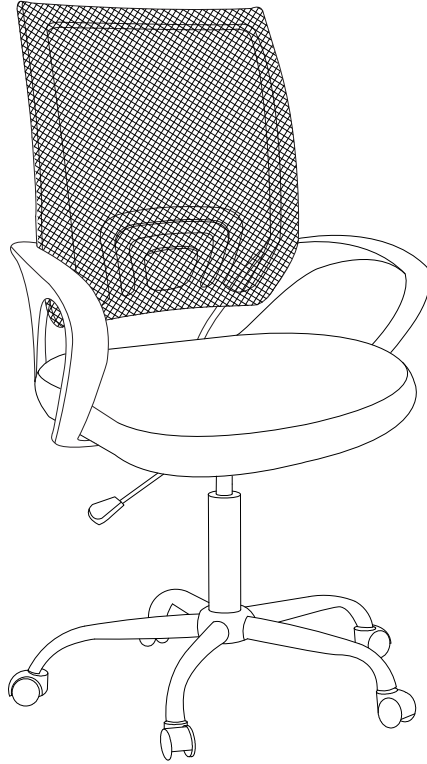
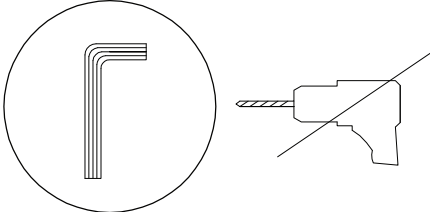

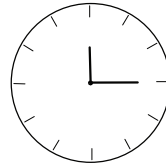
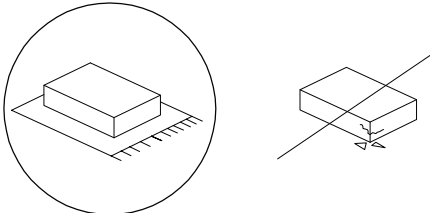


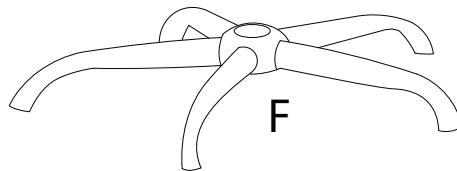
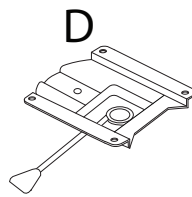
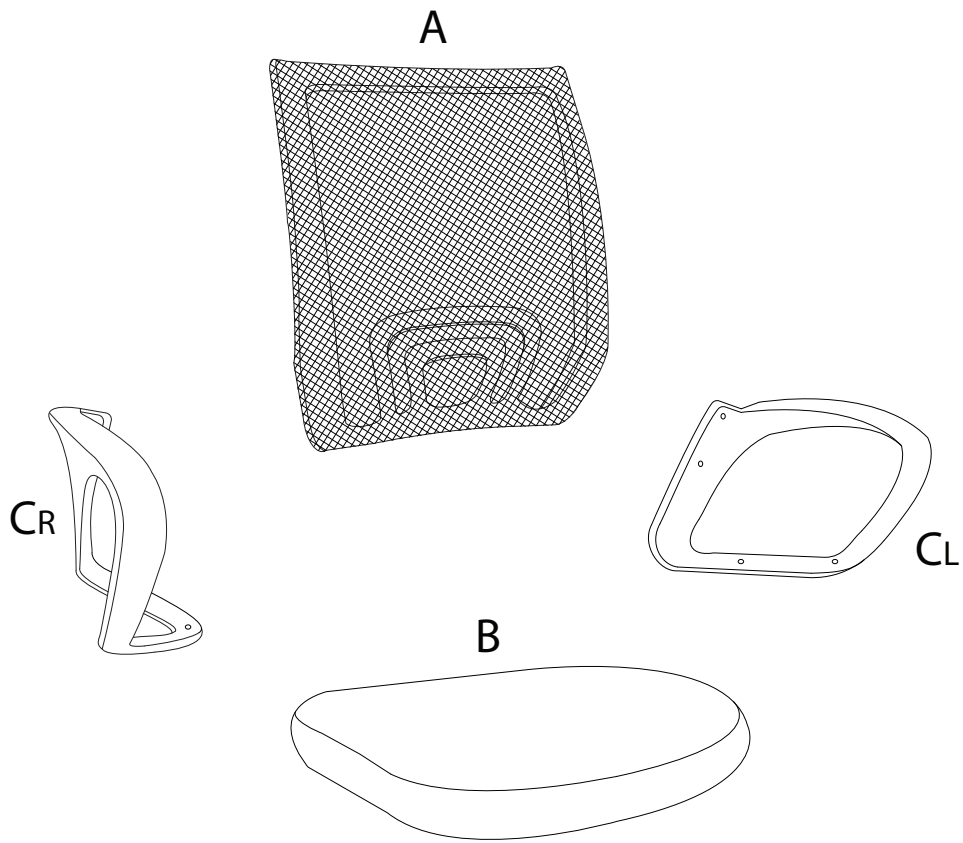


SOLID

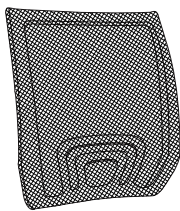




		
		15'
		
		2

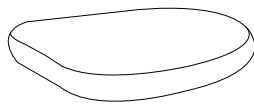


A



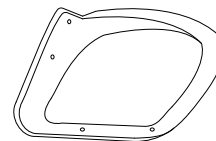
x 1

B



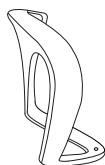
x 1

CL



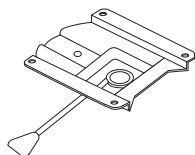
x 1

CR



x 1

D



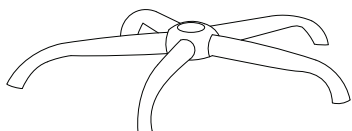
x 1

E



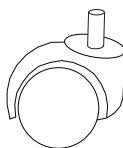
x 1

F



x 1

G



x 5

H



M6
x
20

x 4

I



M6
x
25

x 4

J



M6
x
30

x 2

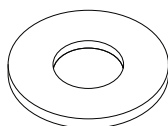
K



M6
x
35

x 2

L



x 4

M







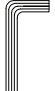
x 1

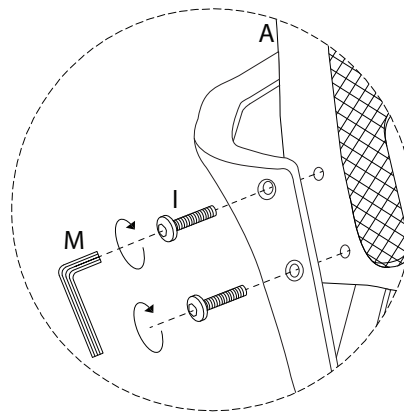
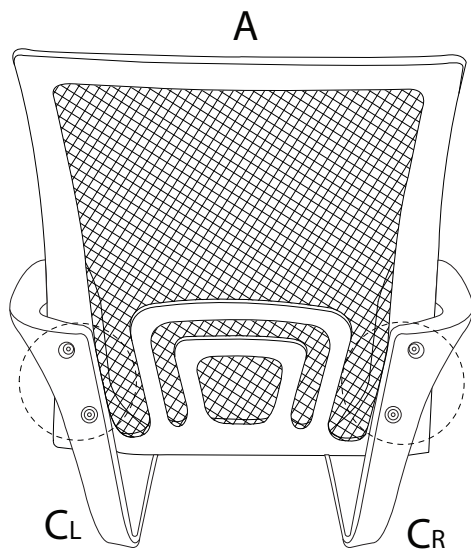
N




x 4

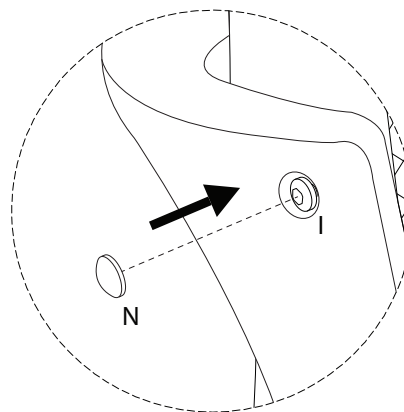
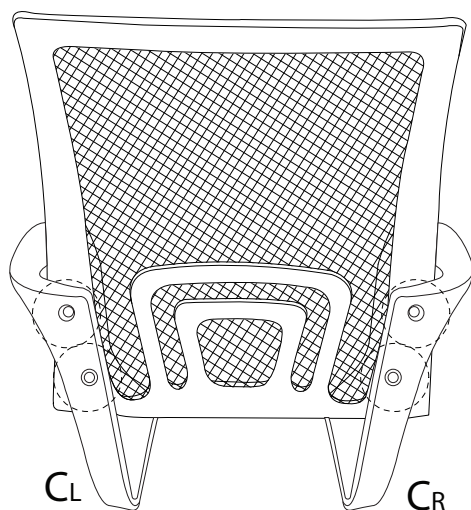
1

A  x 1	CL  x 1	CR  x 1	I  x 4	M  x 1
--	---	---	--	--

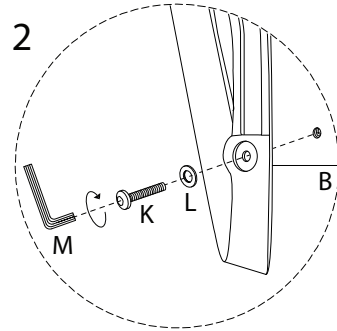
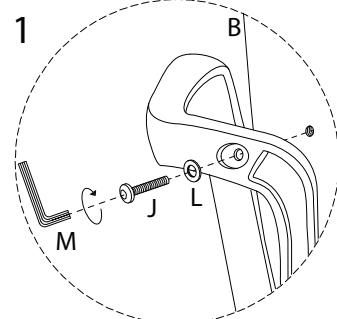
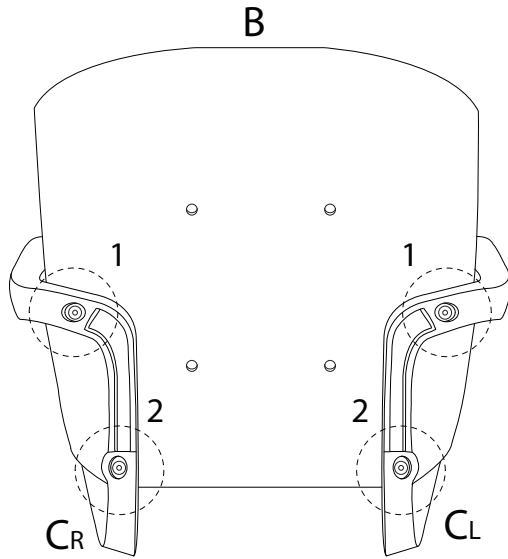
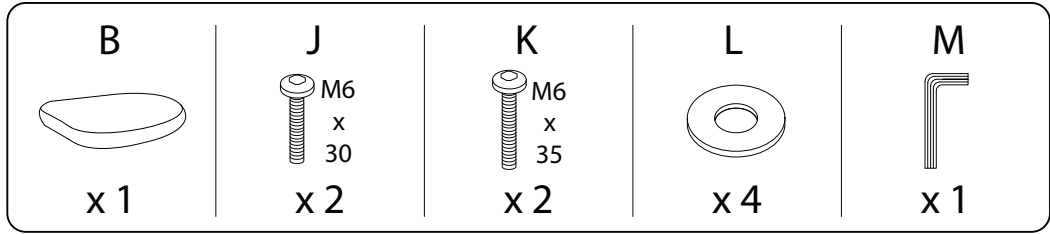


2

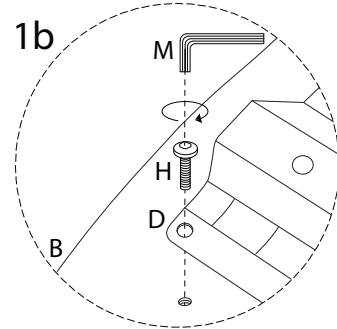
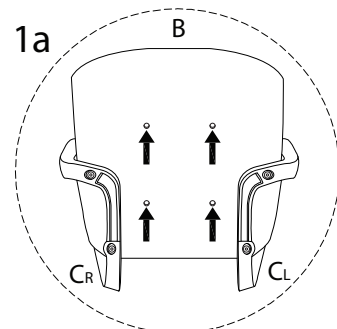
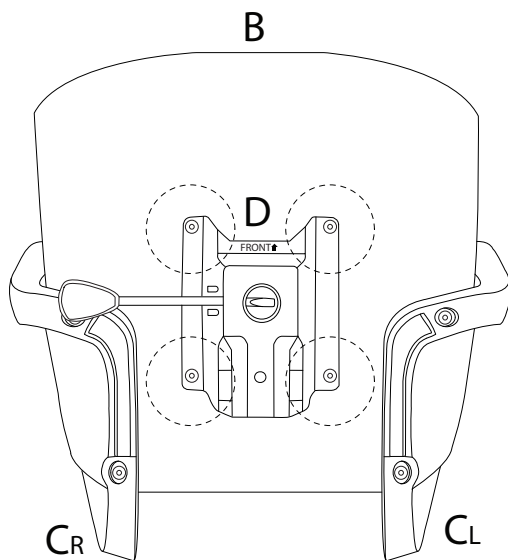
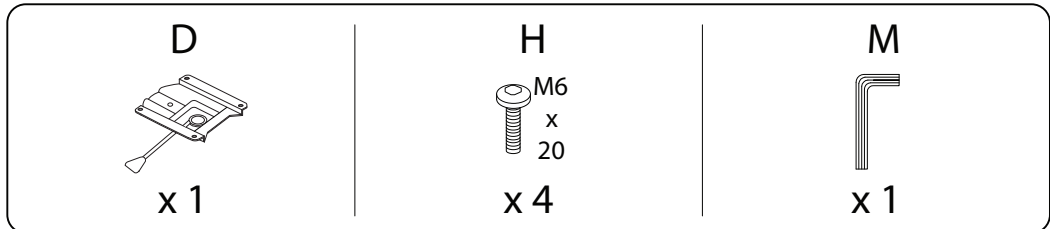
N  x 4
--



3

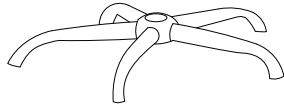


4



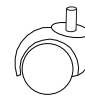
5

F

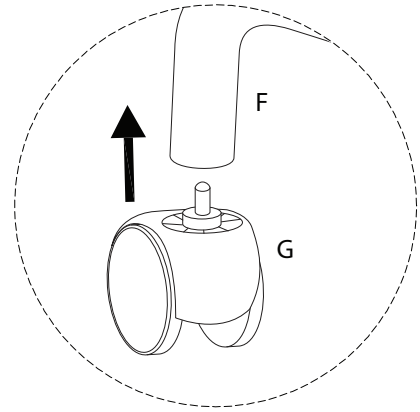
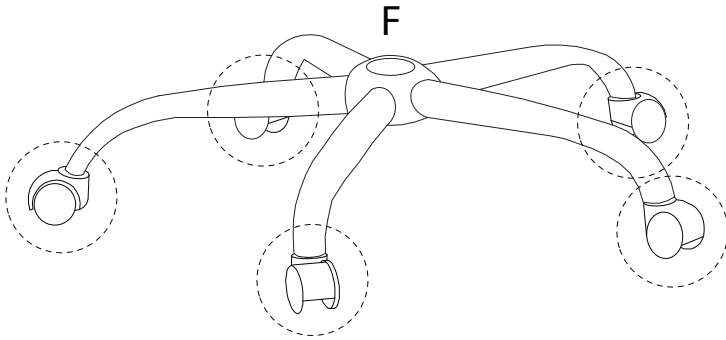


x 1

G



x 5

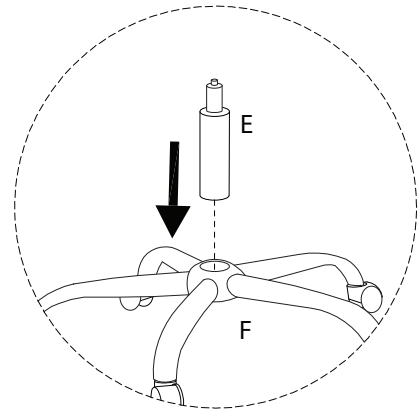
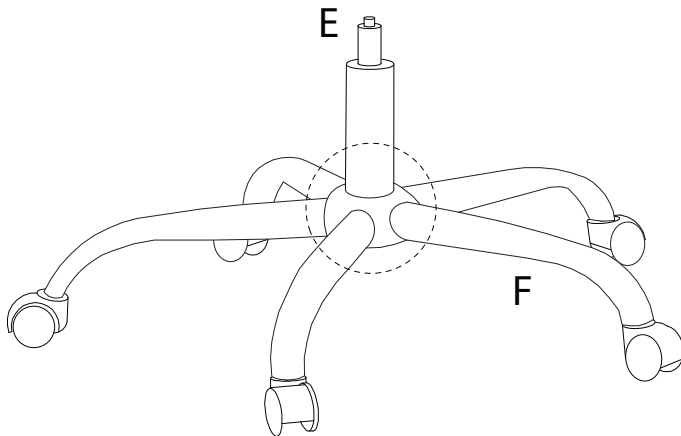


6

E



x 1



7

