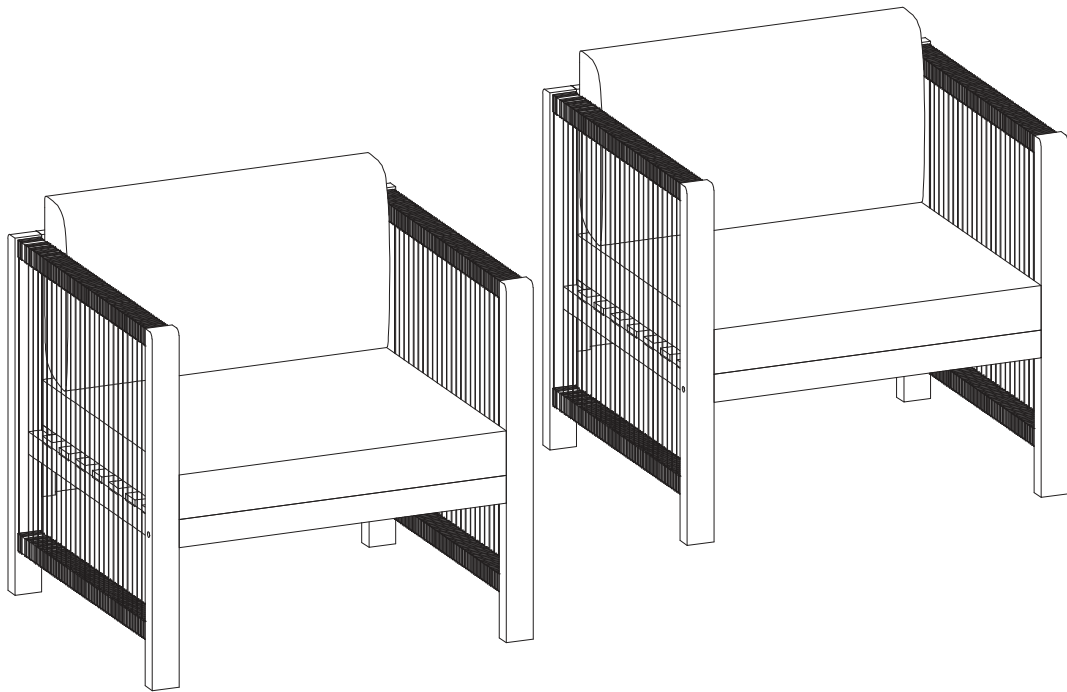


ANTRIA



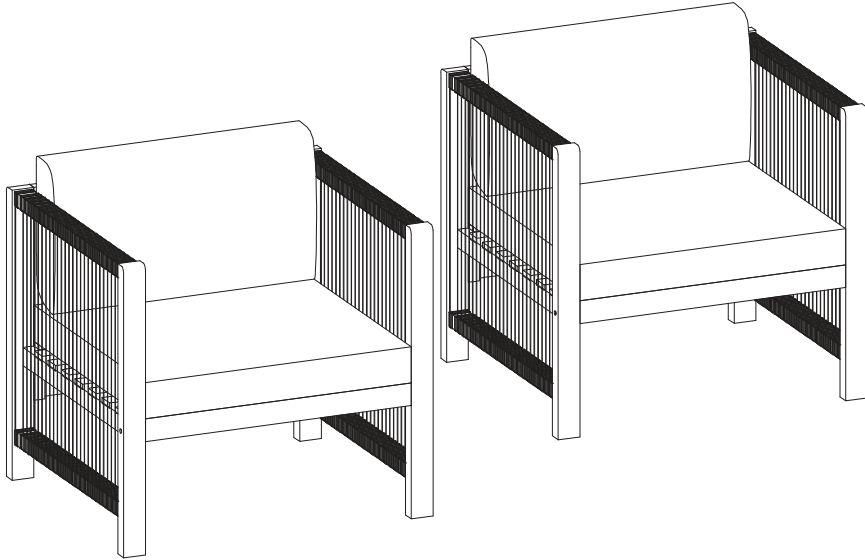
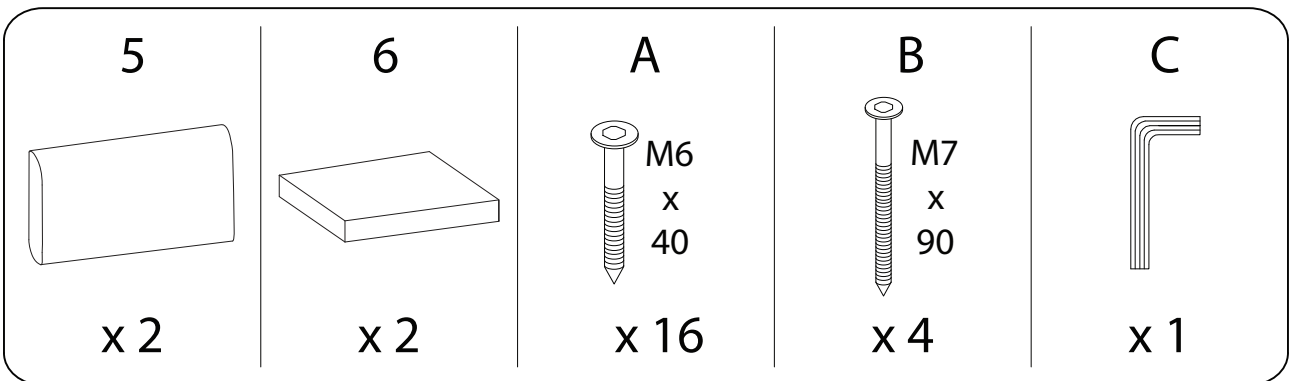
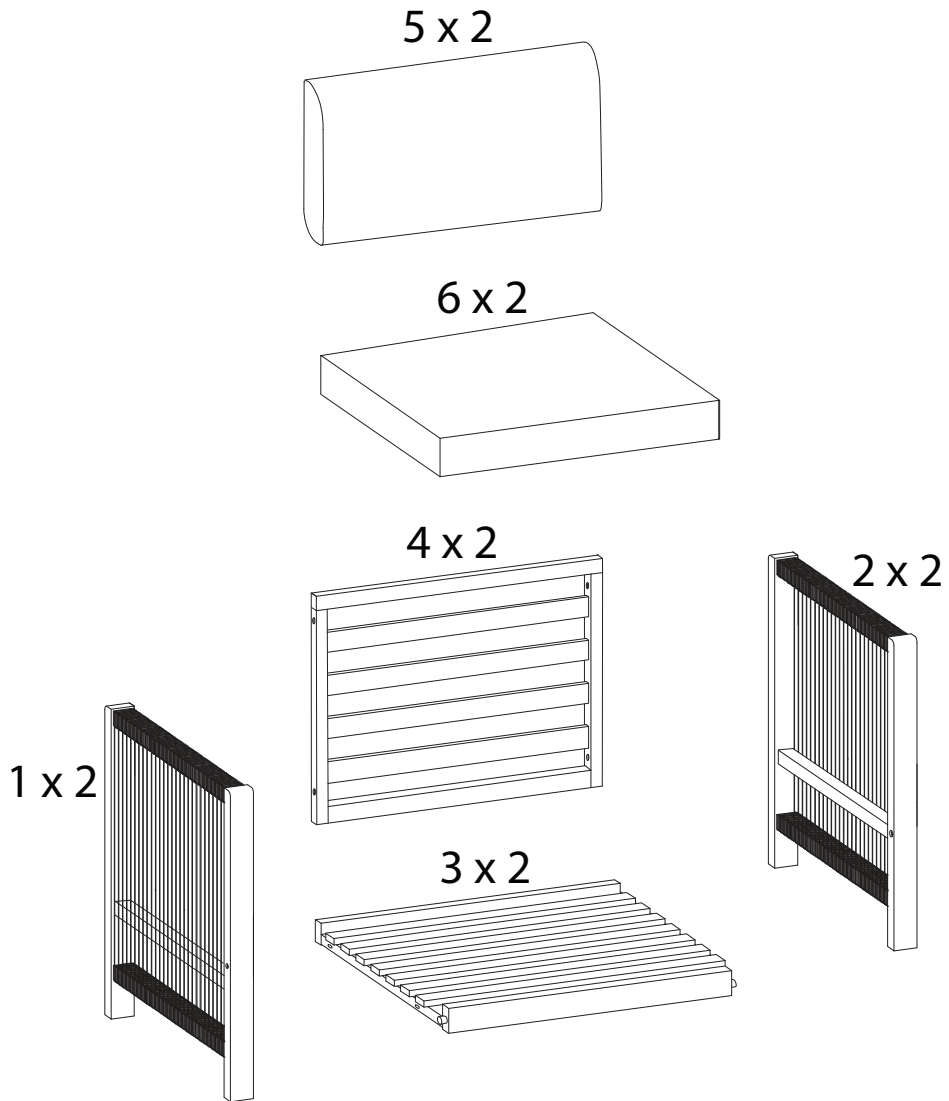
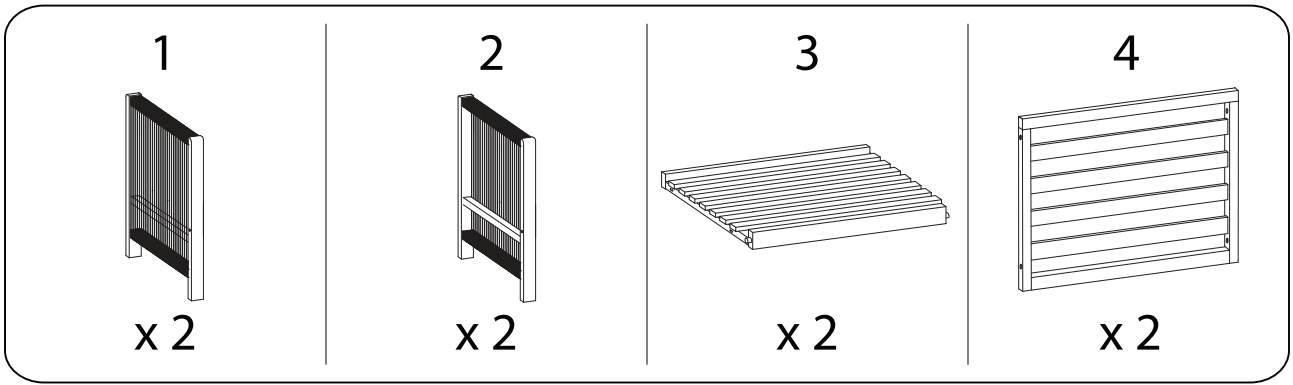
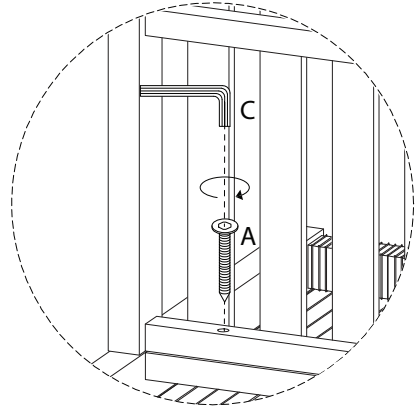
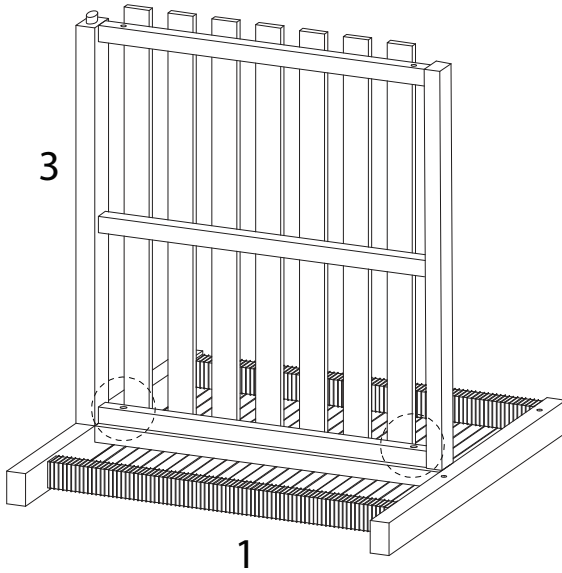
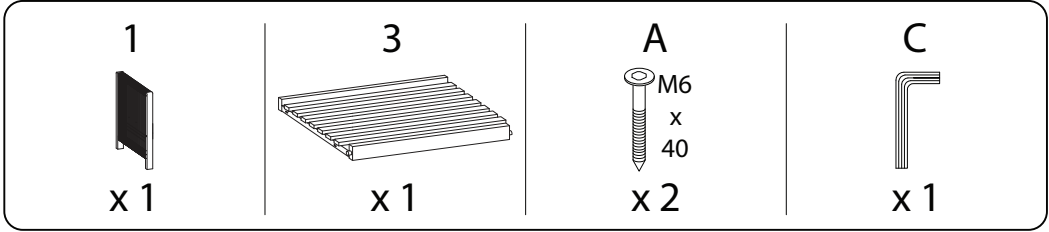


Diagram illustrating assembly instructions and safety warnings:

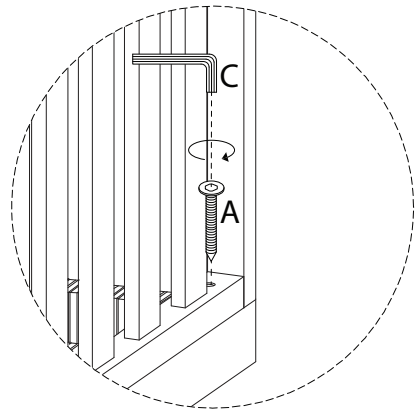
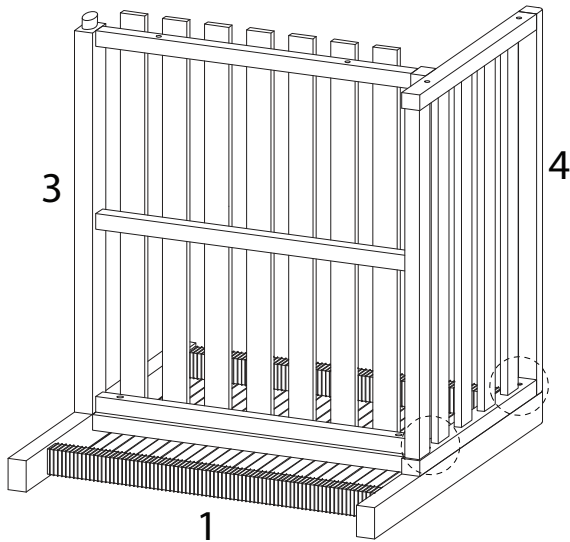
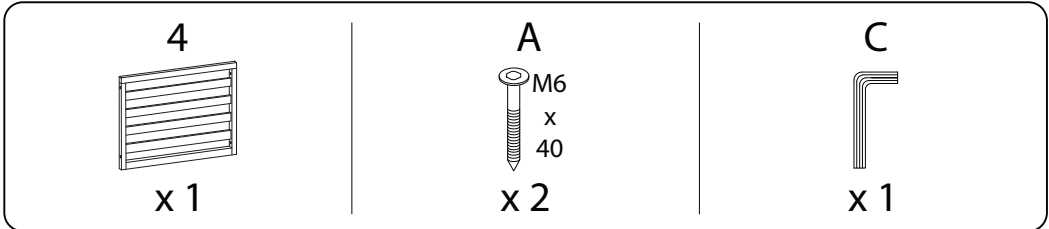
- Warning 1:** A warning triangle with an exclamation mark is positioned above a box containing an L-shaped metal bracket and a power drill with a slash through it, indicating that a power drill should not be used for this step.
- Warning 2:** A second warning triangle with an exclamation mark is positioned above a box containing a rectangular block being placed on a textured surface and a diagram showing the block being inserted into a slot with a slash through it, indicating a specific assembly method.
- Time:** A clock icon is shown next to the text "30'", indicating the estimated assembly time.
- Personnel:** An icon of a person is shown next to the number "2", indicating that two people are required for assembly.



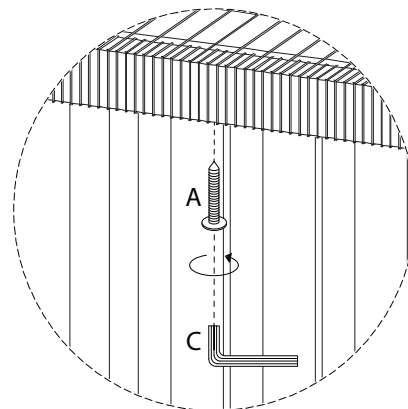
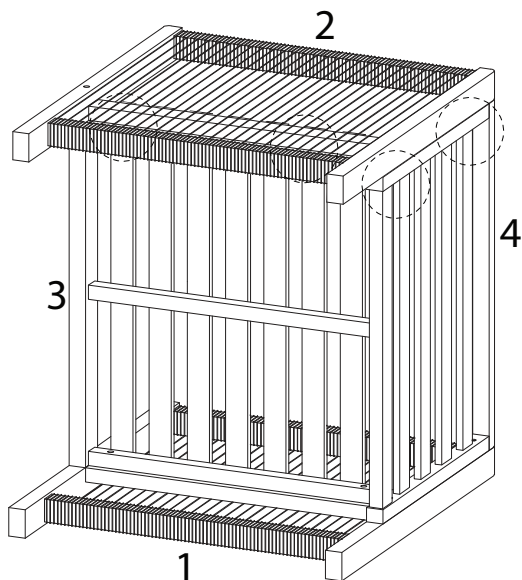
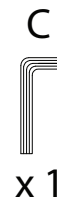
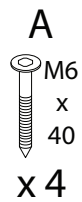
1 x 2



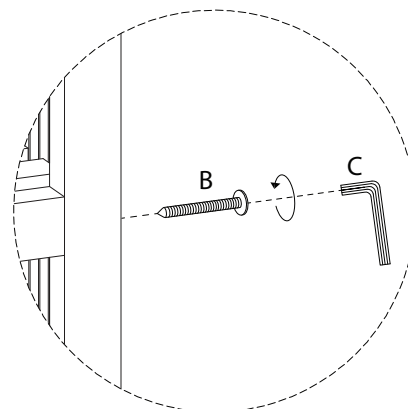
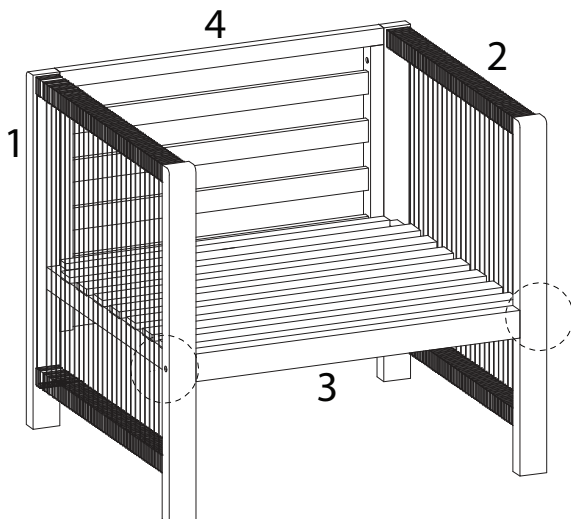
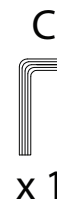
2 x 2



3 x 2

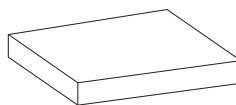


4 x 2



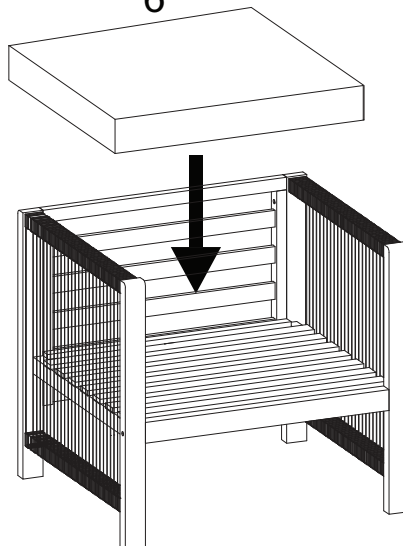
5 x 2

6



x 1

6



6 x 2

5



x 1

5

