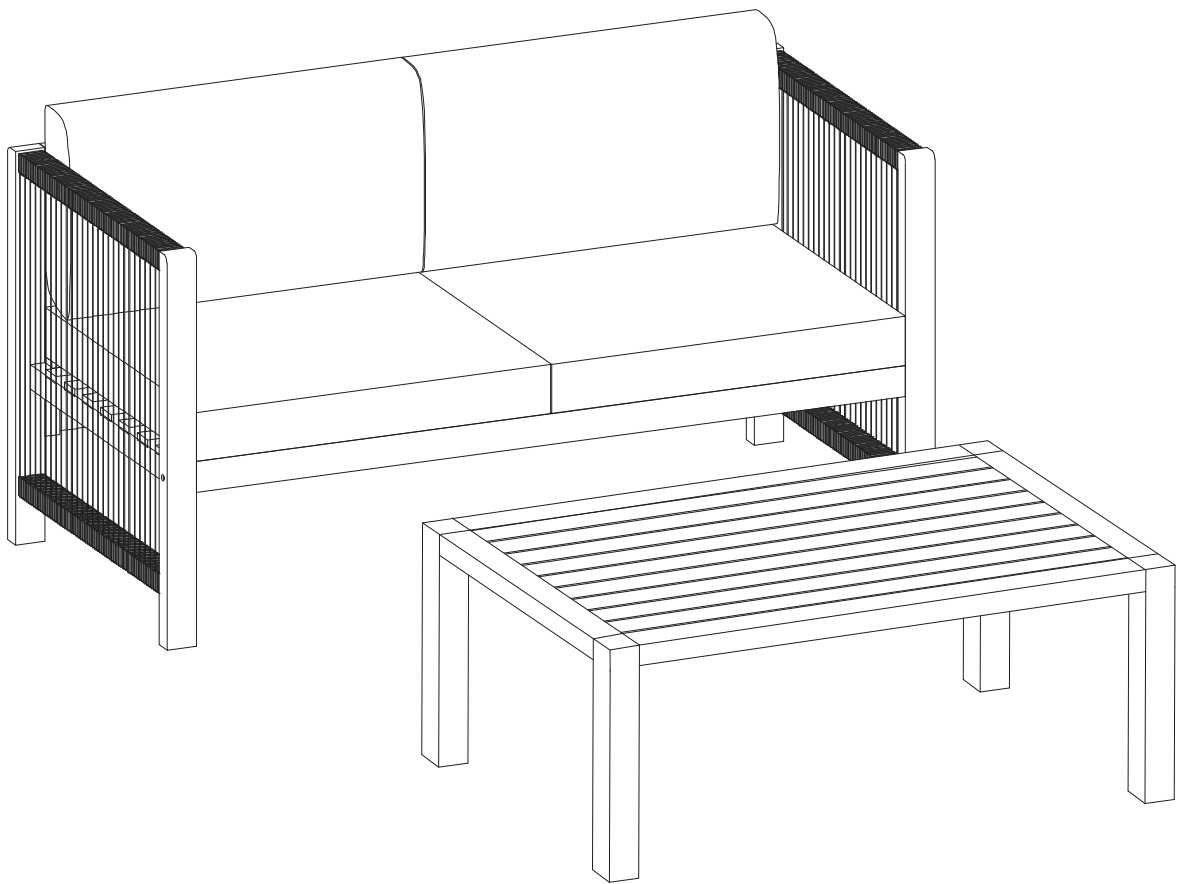
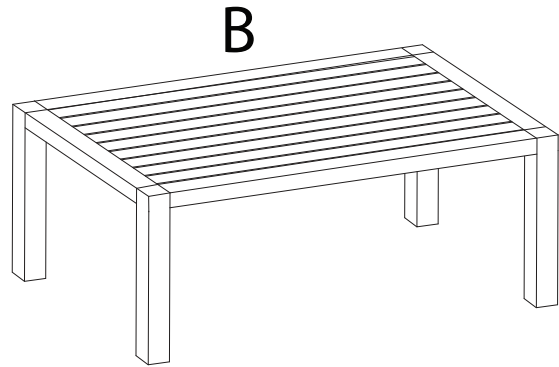
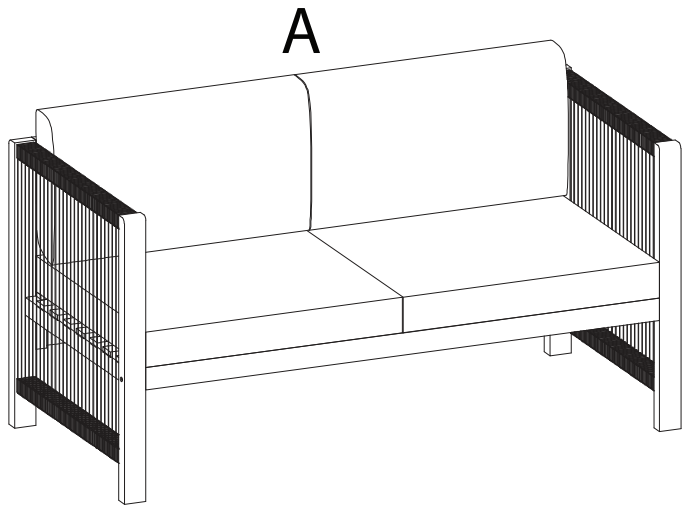


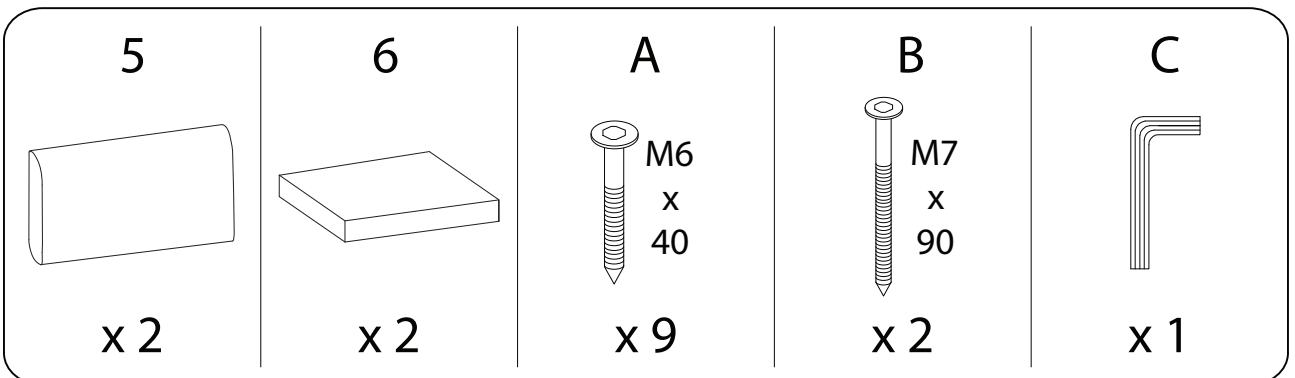
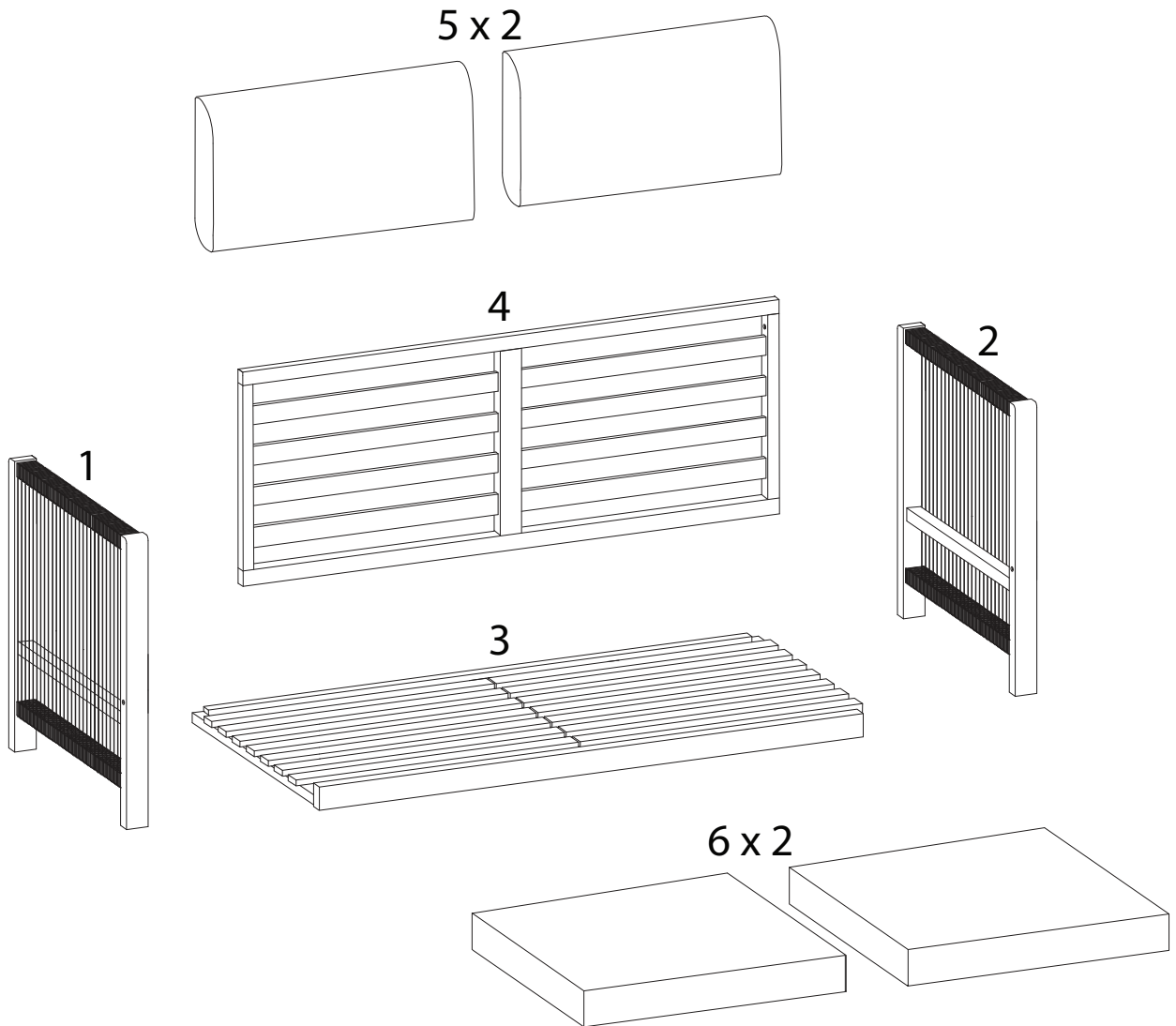
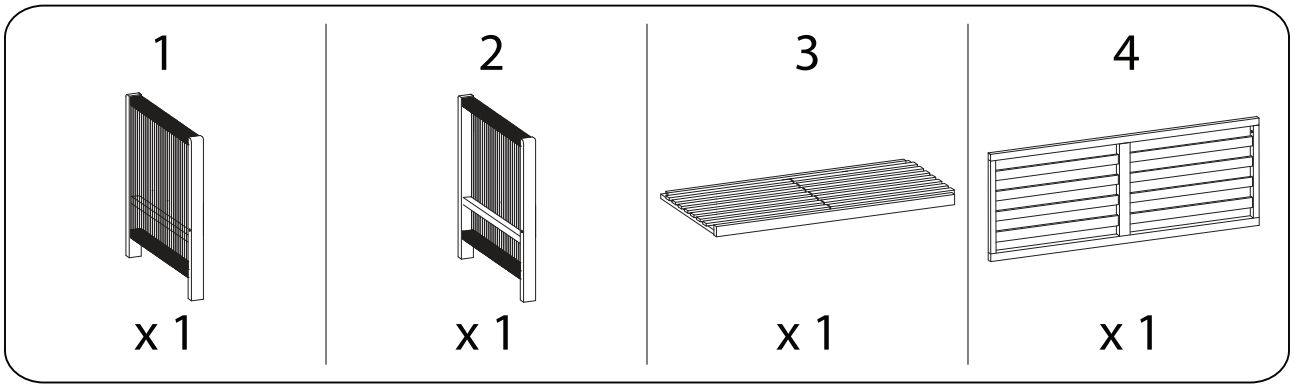
ANTRIA



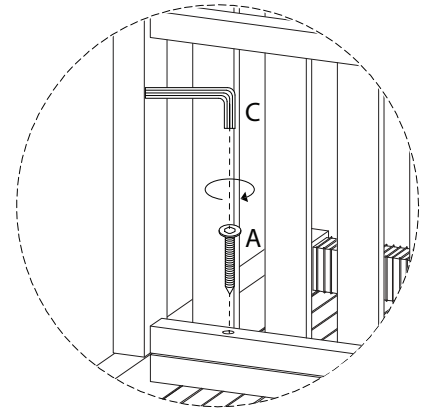
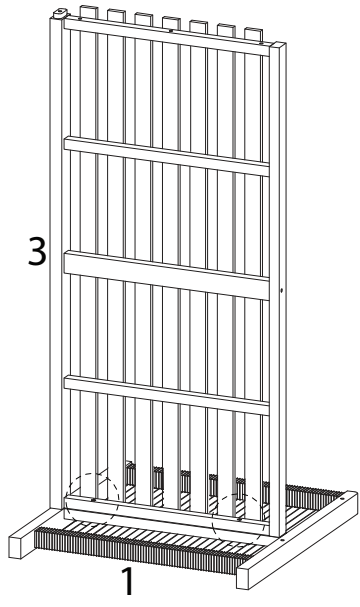
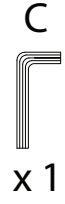
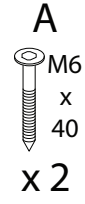
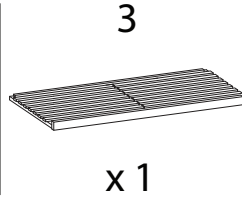


The diagram contains two safety and assembly instructions. The top instruction shows a corner bracket in a circle, a crossed-out power drill, and a warning triangle. To the right is a clock icon and the text '40''. The bottom instruction shows a cushion on a base in a circle, a crossed-out screwdriver, and a warning triangle. To the right is a person icon and the number '2'.

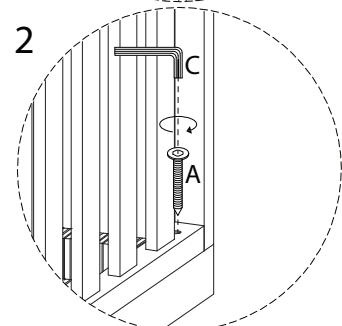
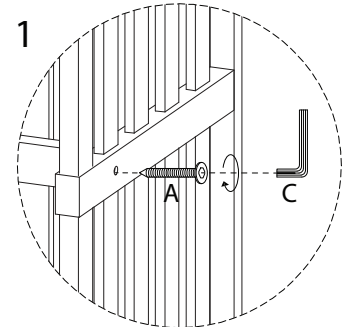
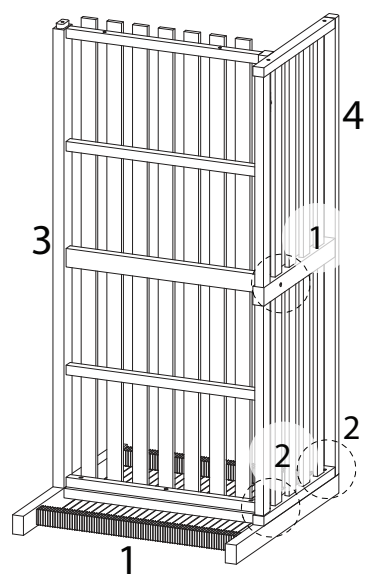
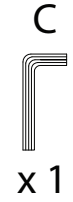
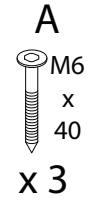
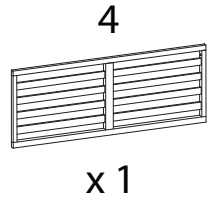
A



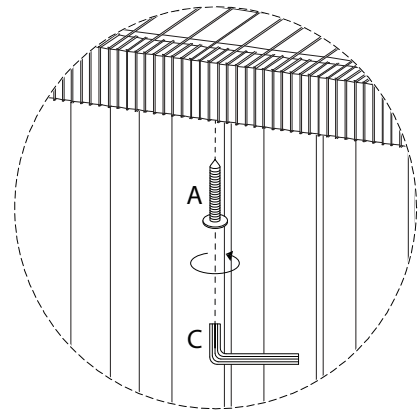
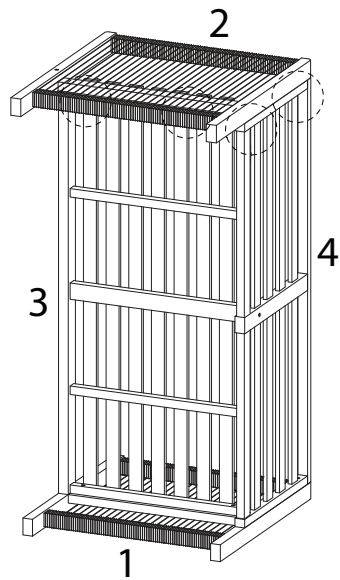
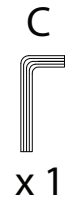
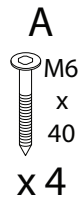
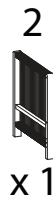
1



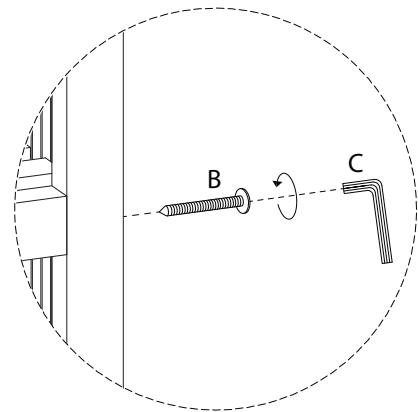
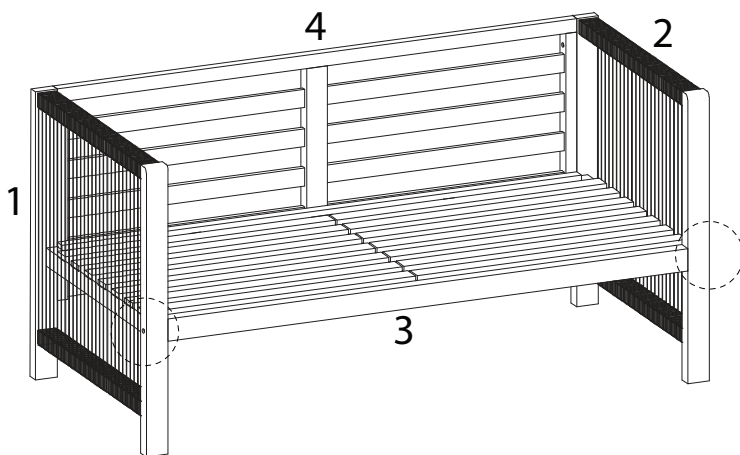
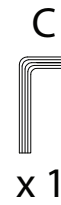
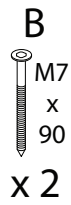
2



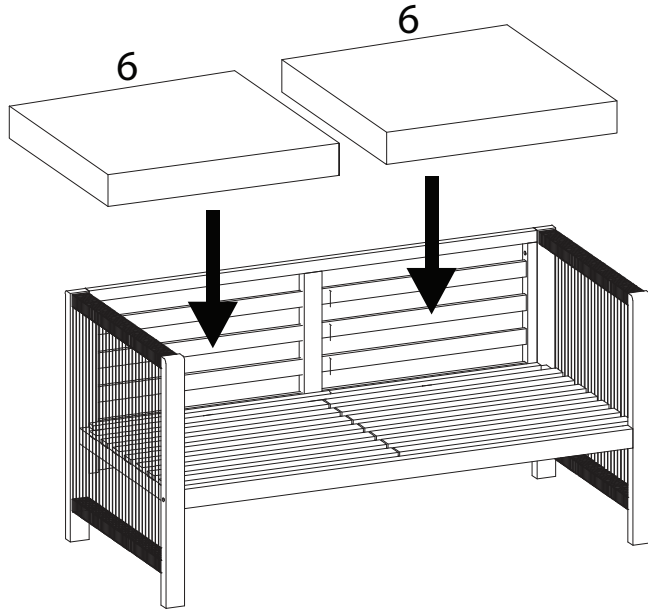
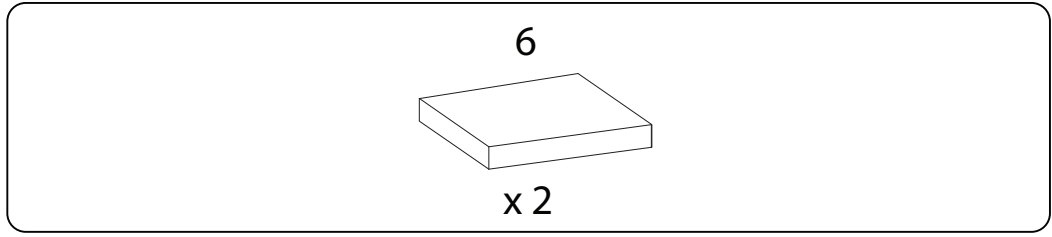
3



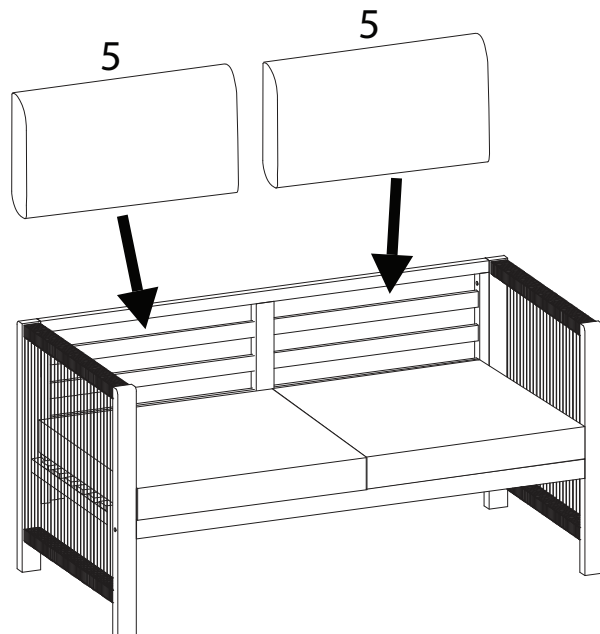
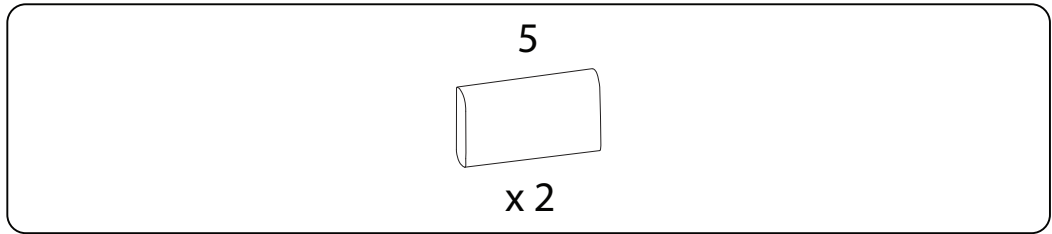
4



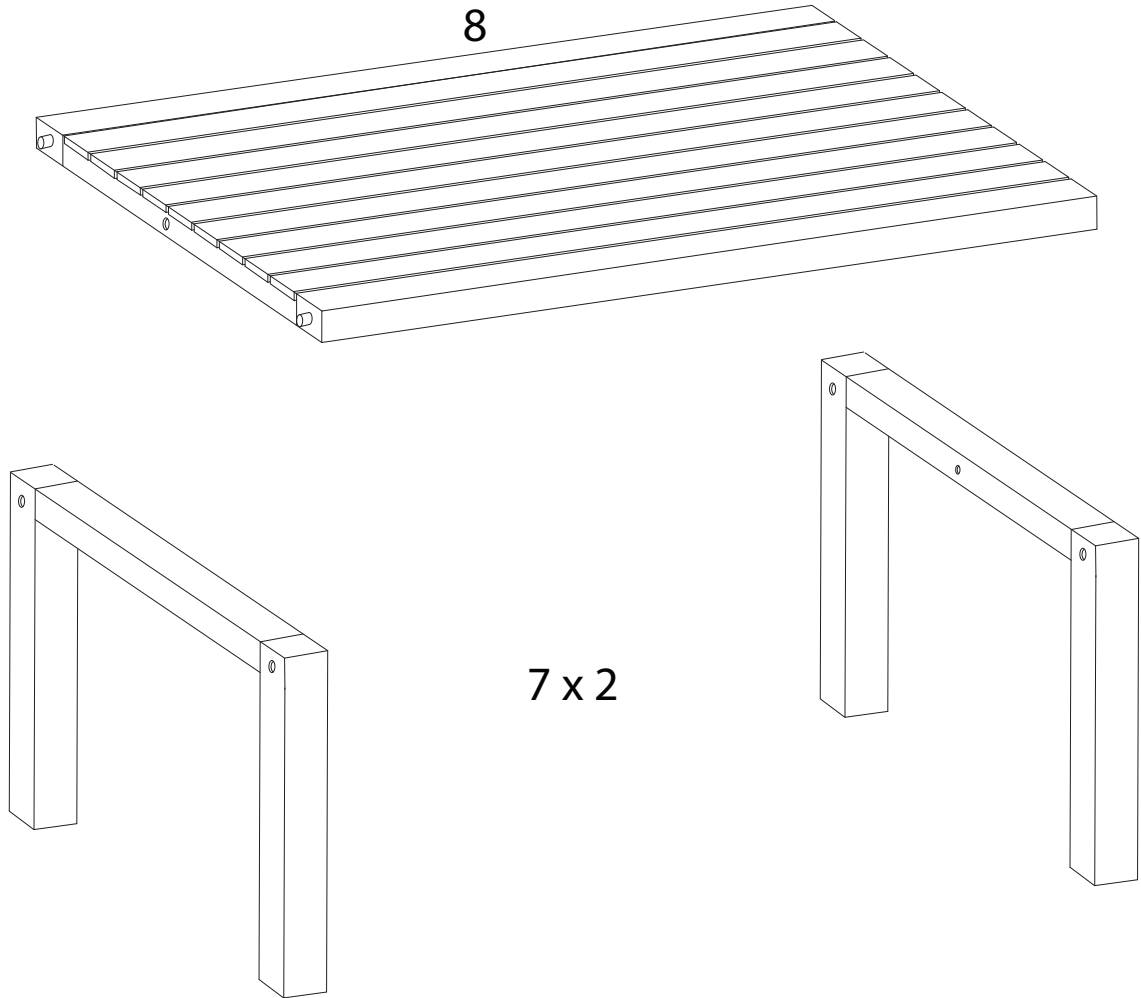
5

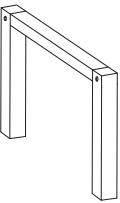
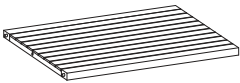
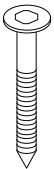
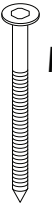
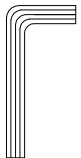


6

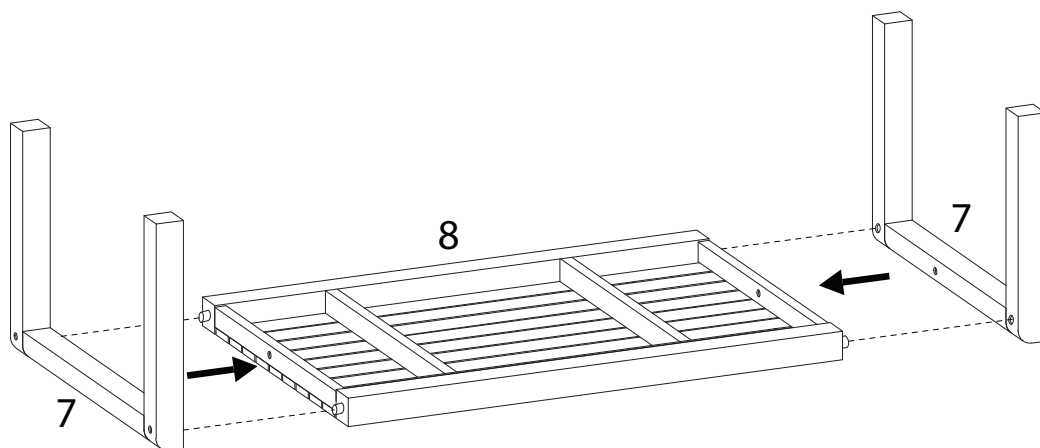
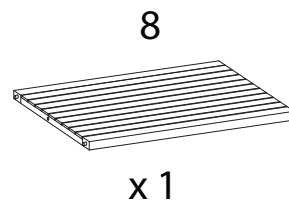
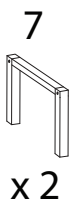


B

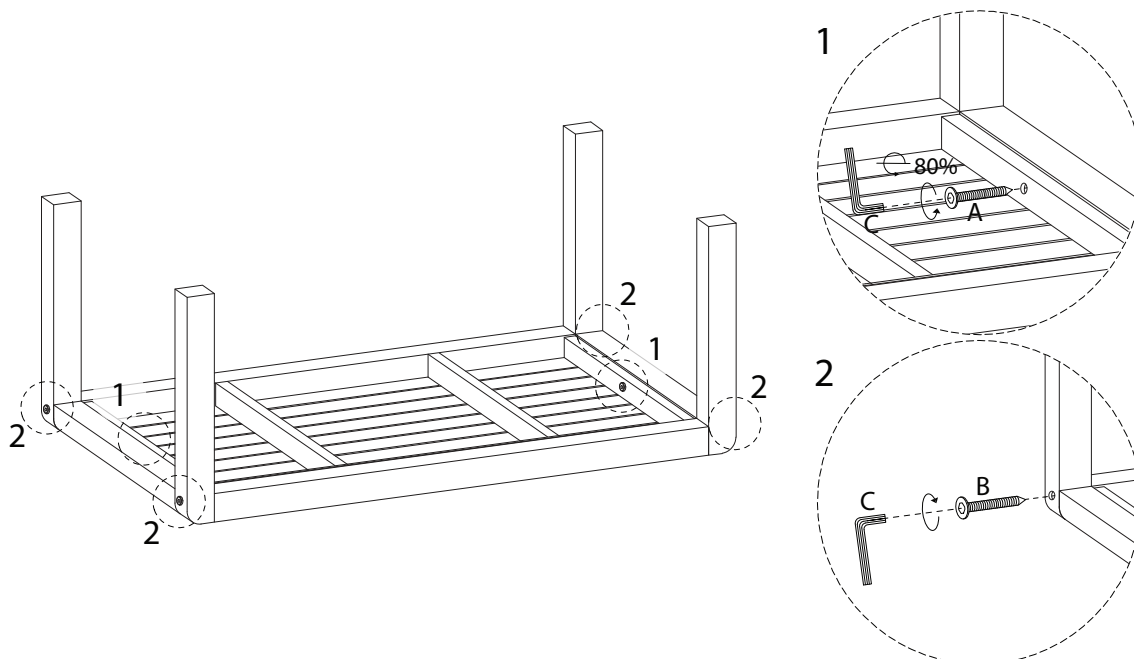
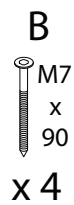
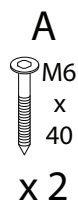


7	8	A	B	C
		 <p>M6 x 40</p>	 <p>M7 x 90</p>	
x 2	x 1	x 2	x 4	x 1

1



2



3

C
x 1

