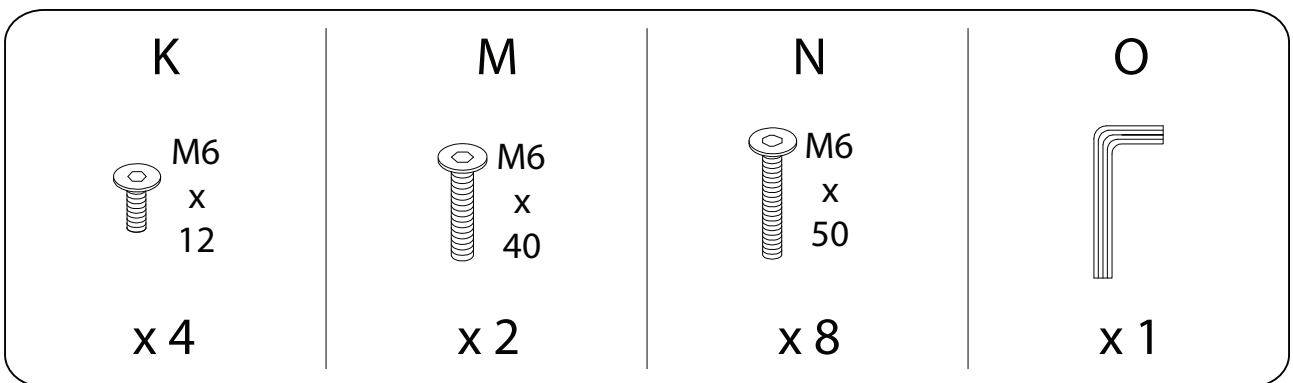
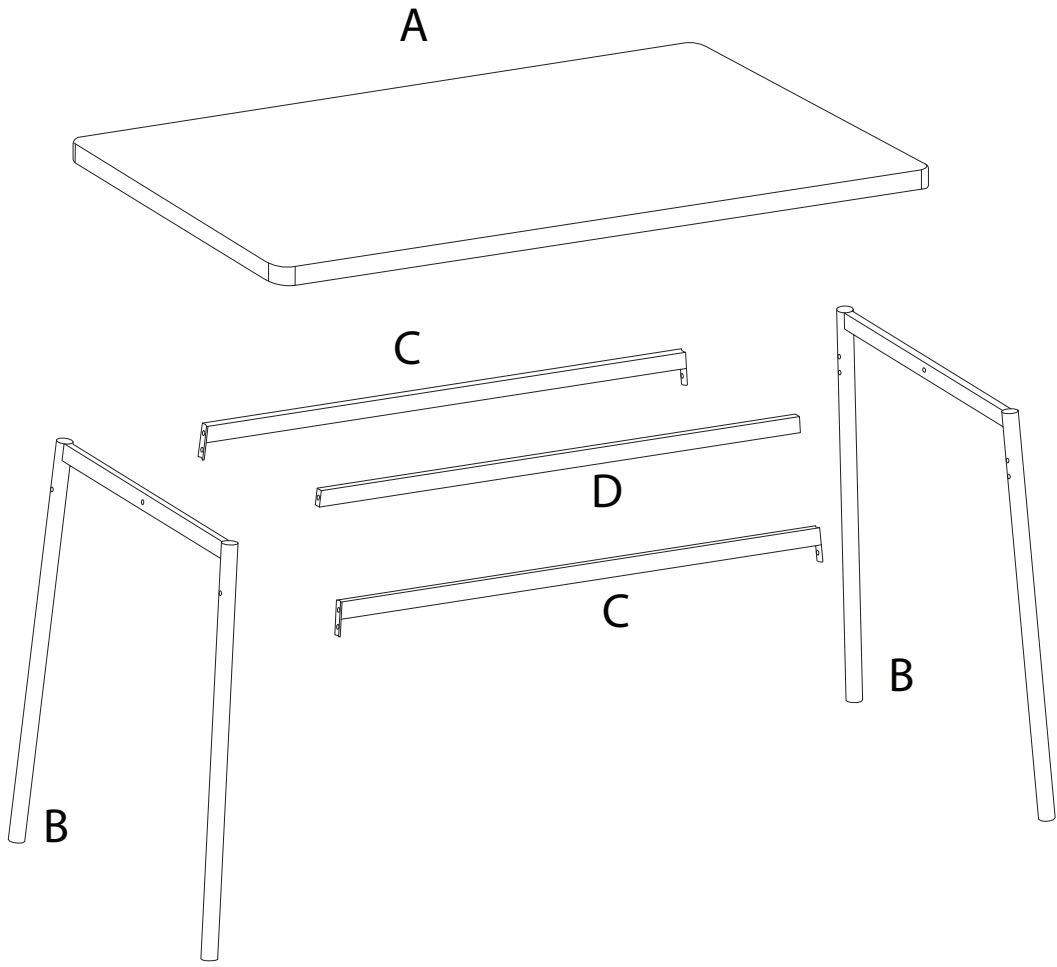
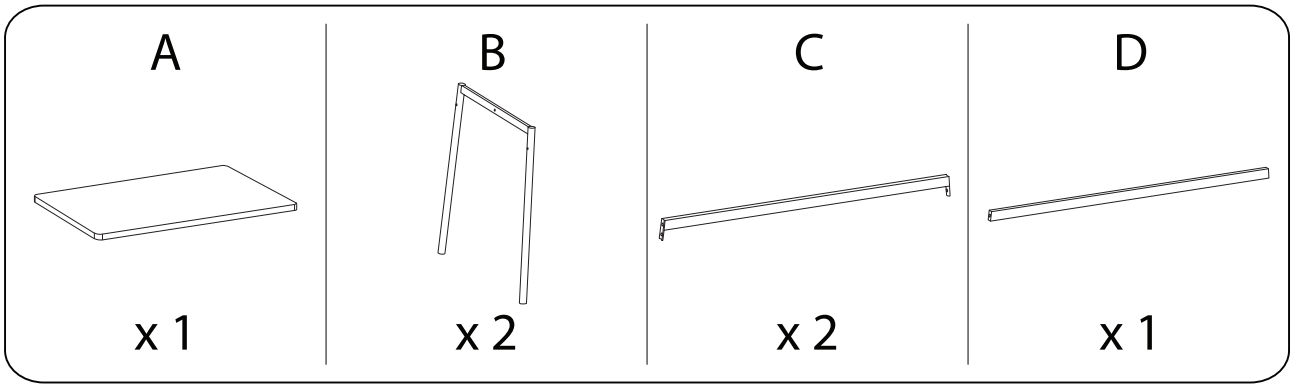


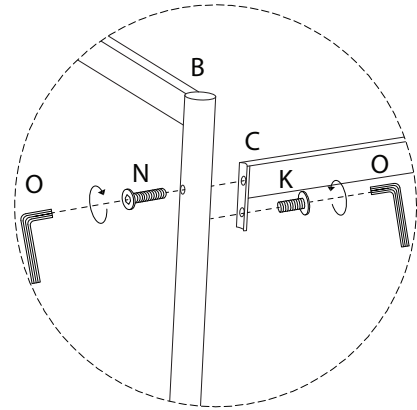
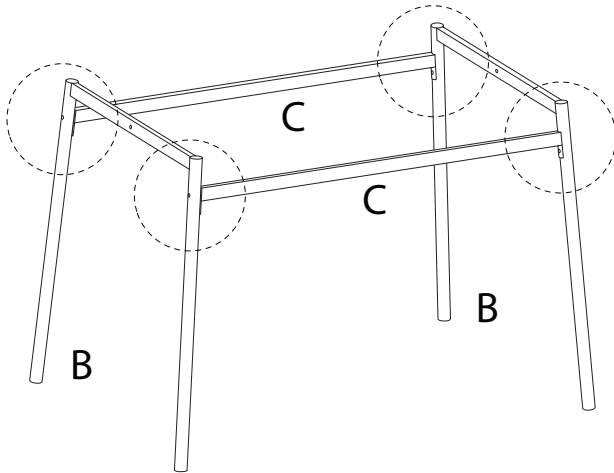
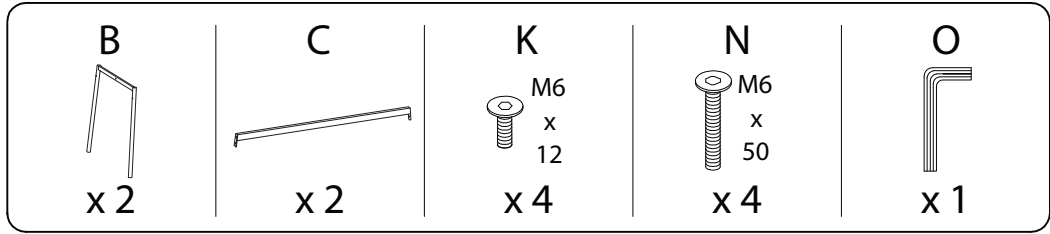
Diagram illustrating assembly instructions and safety warnings:

- Warning 1:** A warning triangle with an exclamation mark is shown next to a circular inset containing an L-shaped metal bracket and a crossed-out power drill, indicating that a power drill should not be used for this step.
- Warning 2:** A second warning triangle with an exclamation mark is shown next to a circular inset containing a rectangular block being placed on a textured surface, with a crossed-out screwdriver below it, indicating that a screwdriver should not be used for this step.
- Time:** A clock icon is shown next to the text "60'", indicating a 60-minute assembly time.
- Personnel:** An icon of a person is shown next to the number "2", indicating that two people are required for assembly.

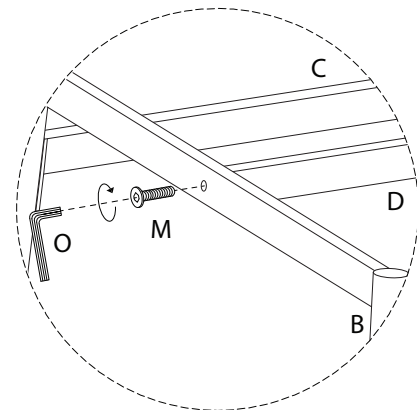
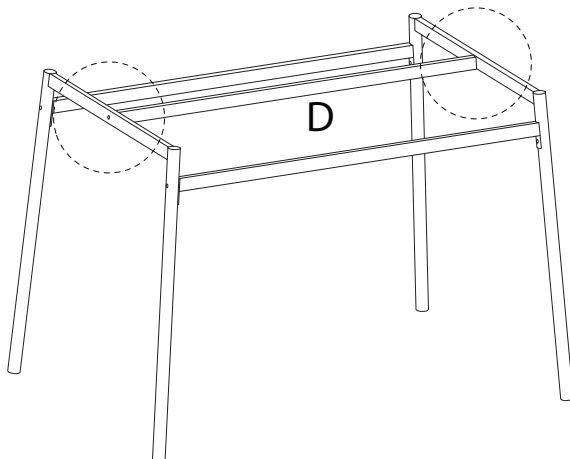
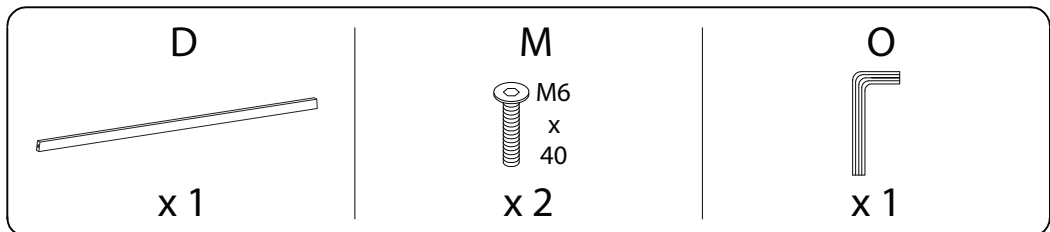
A




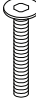

1

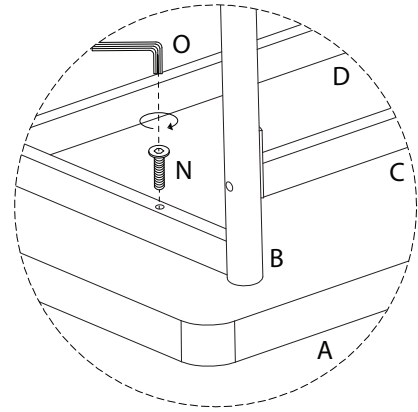
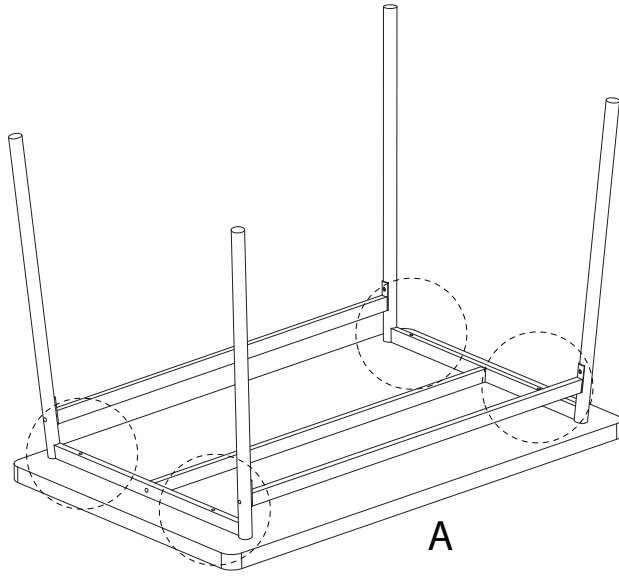


2

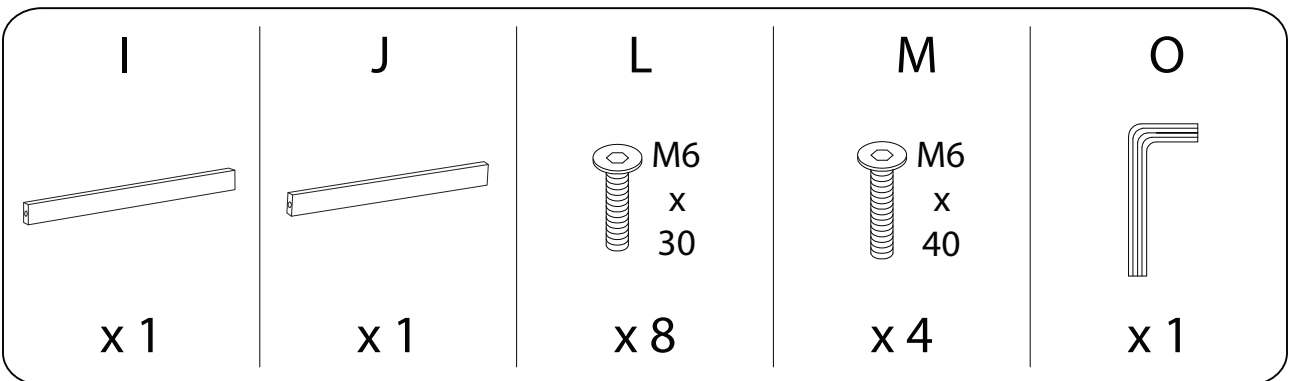
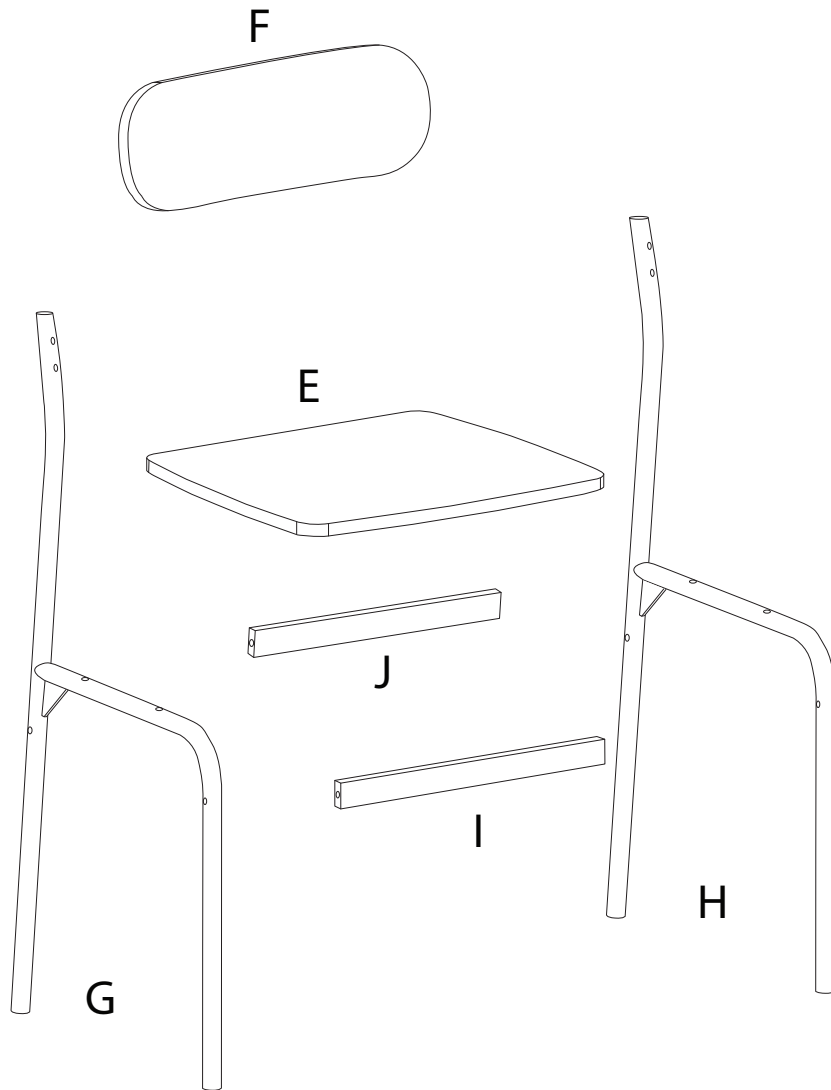
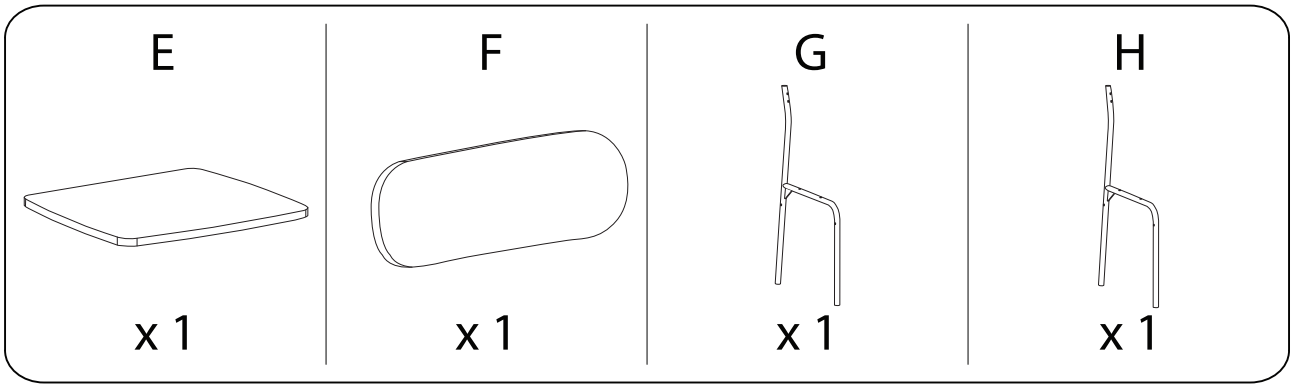


1

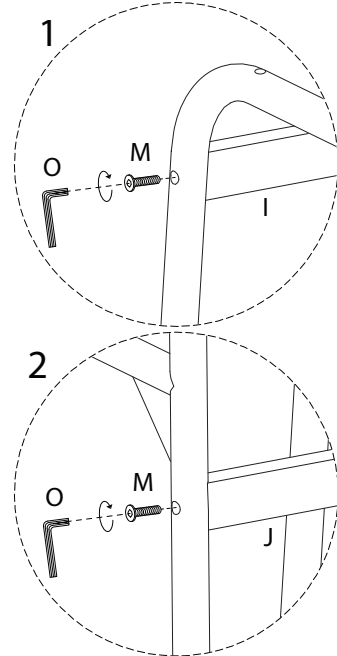
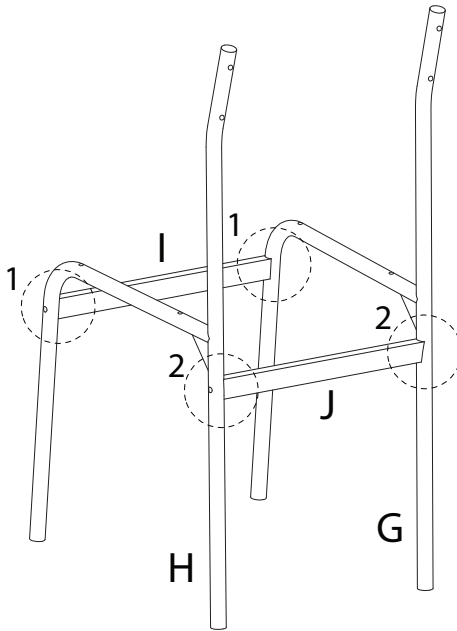
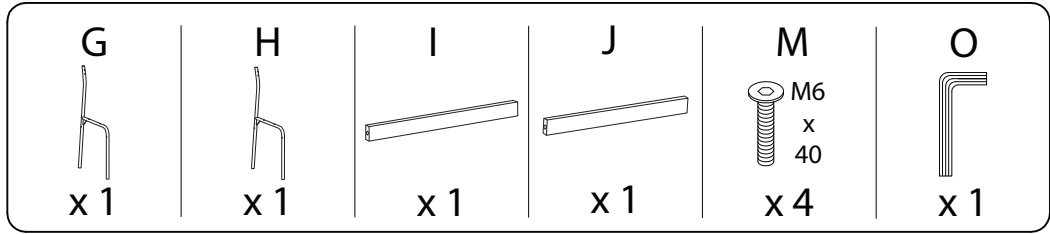
<p>A</p>  <p>x1</p>	<p>N</p>  <p>M6 x 50</p> <p>x4</p>	<p>O</p>  <p>x1</p>
--	---	--



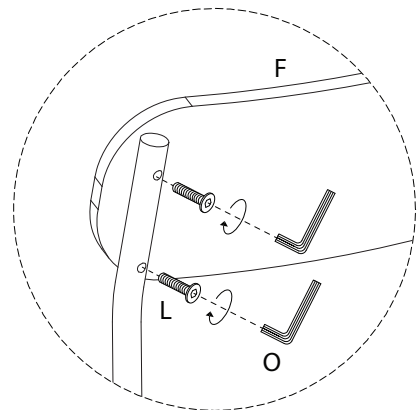
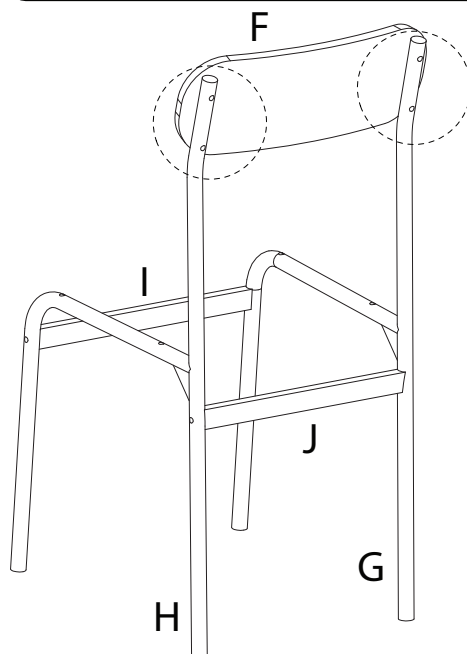
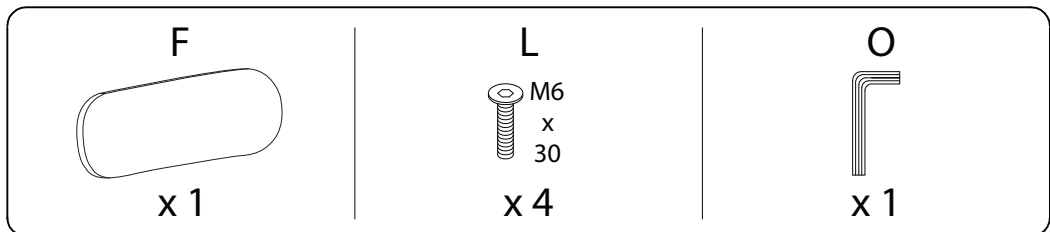
B x 4



1



2



3

E



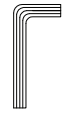
x 1

L



x 4

O



x 1

