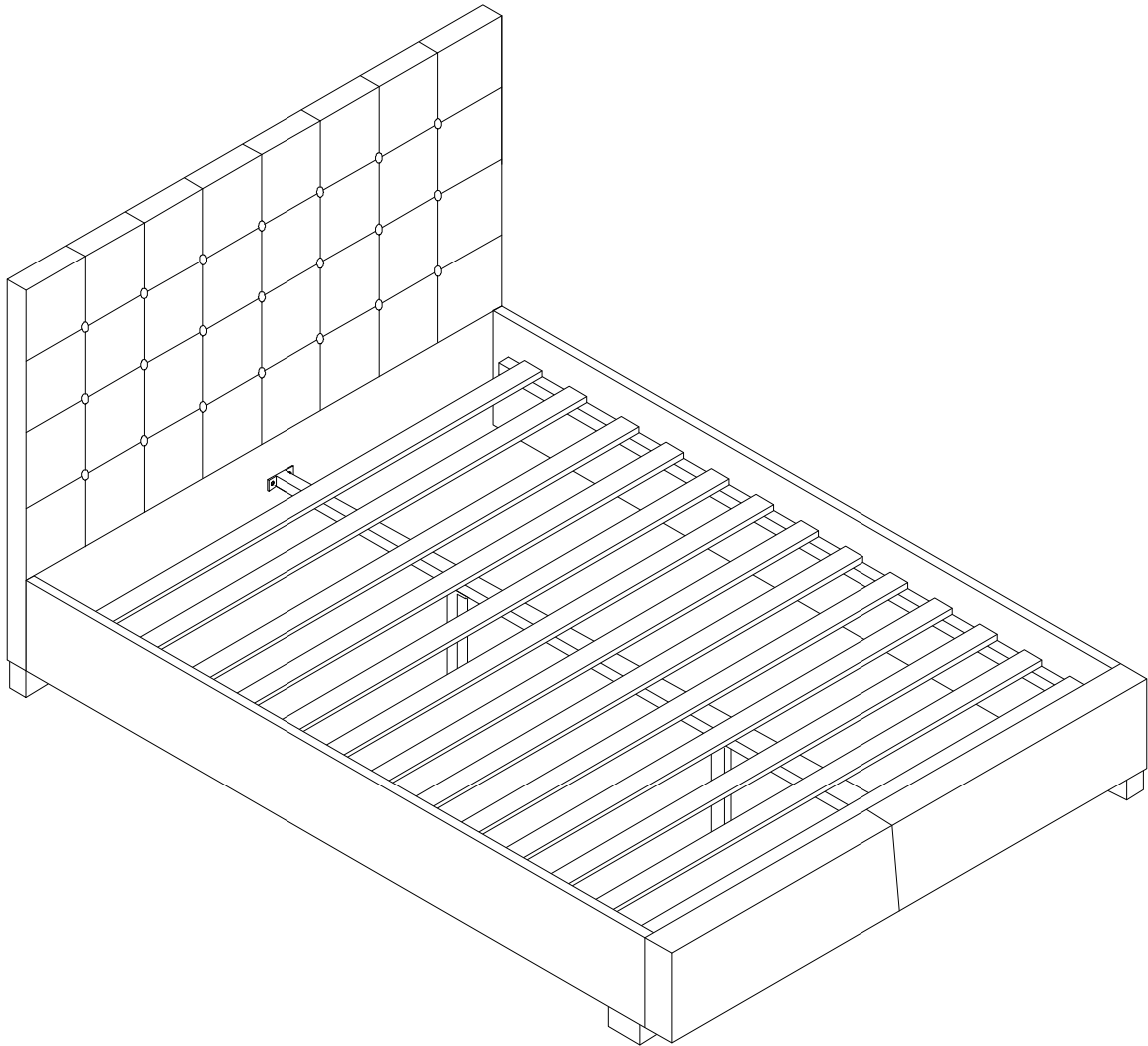
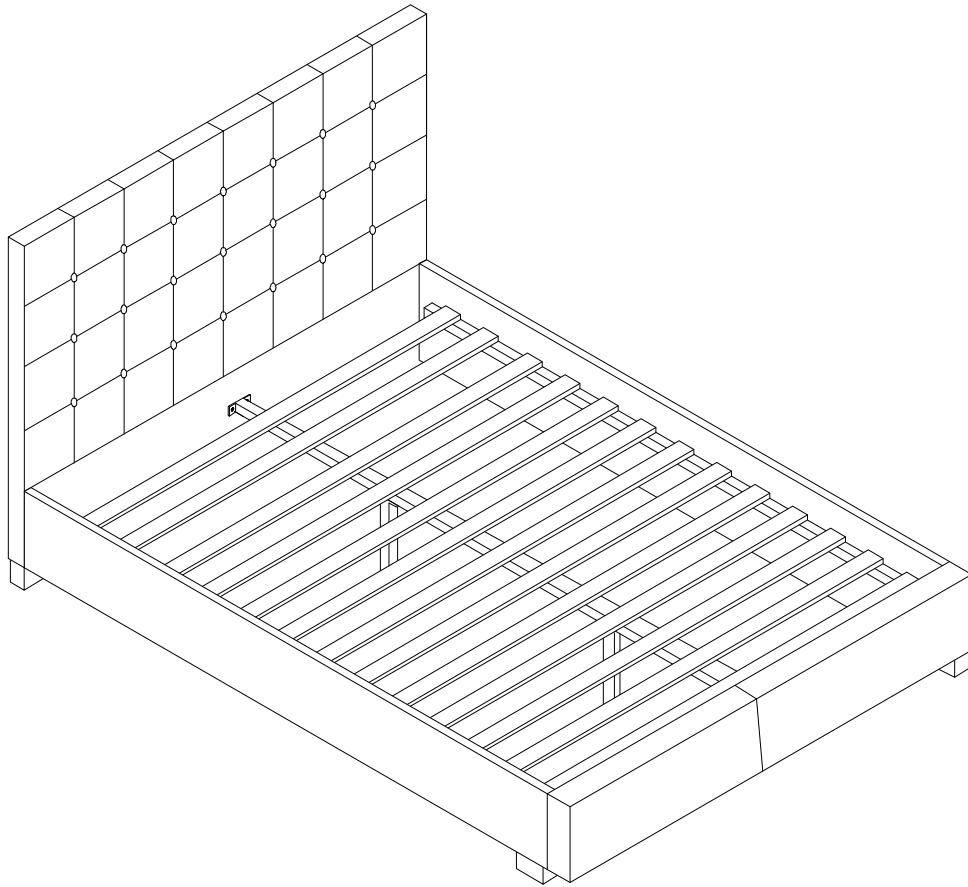


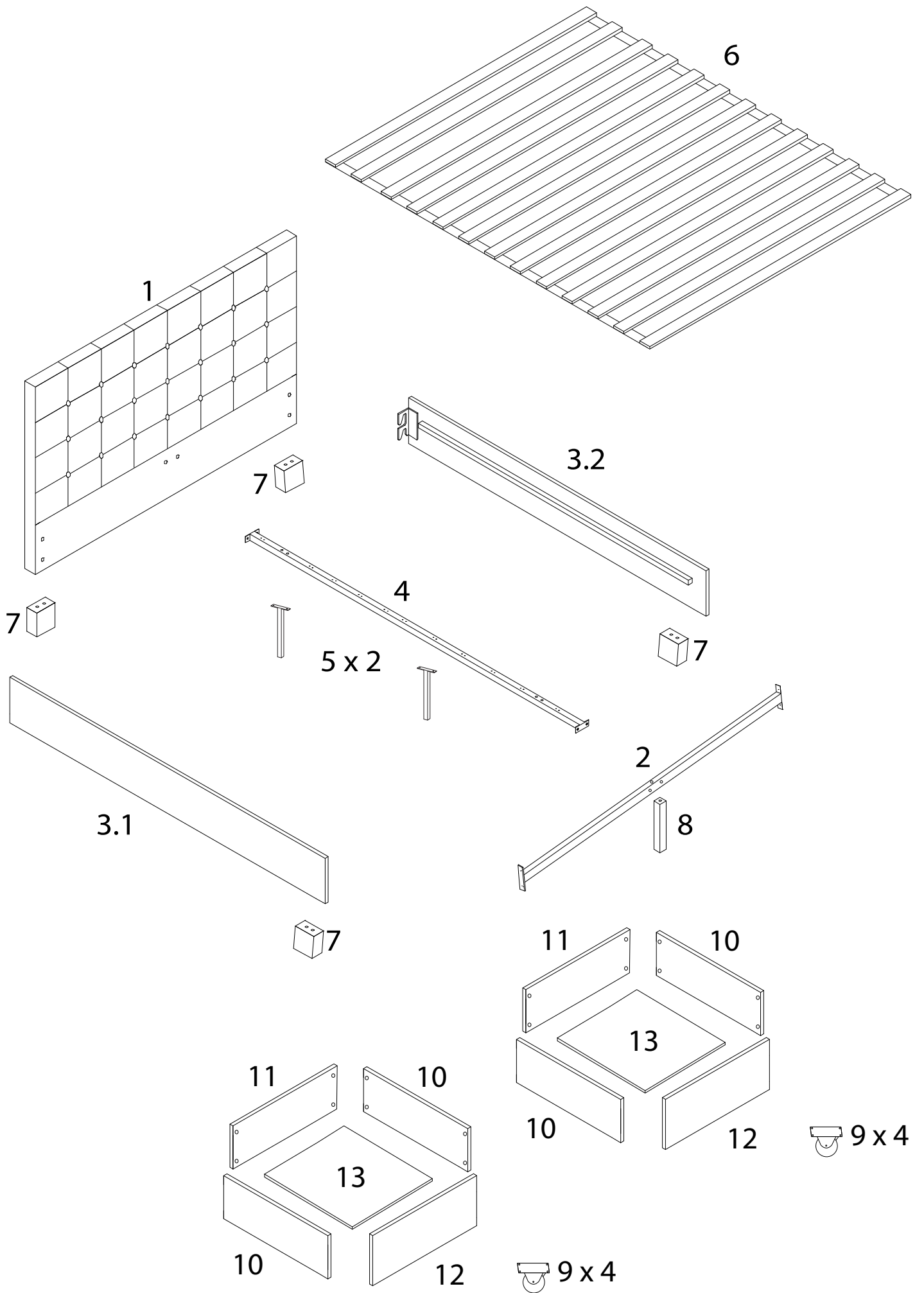
LA ROCHELLE



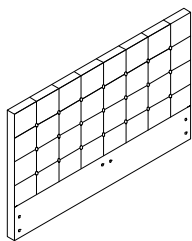


Assembly instructions for step 1/10:

- Tools:** A circle containing a screwdriver, a wrench, and a hex key. A power drill is shown with a diagonal line through it, indicating it should not be used.
- Warning:** A triangle with an exclamation mark.
- Time:** A clock icon with the text "60'" below it.
- Personnel:** A stick figure icon with the number "2" below it.

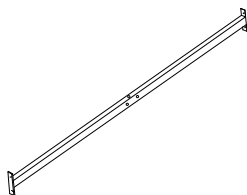


1



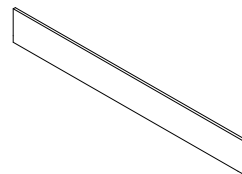
x 1

2



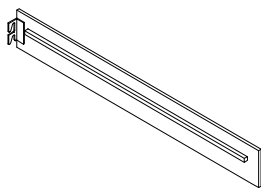
x 1

3.1



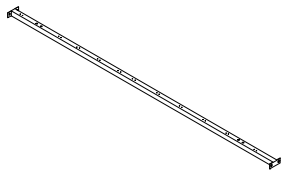
x 1

3.2



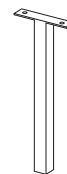
x 1

4



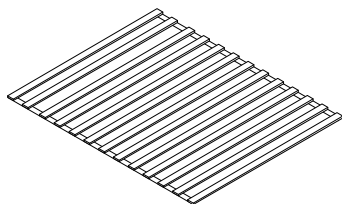
x 1

5



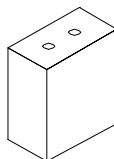
x 2

6



x 1

7



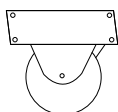
x 4

8



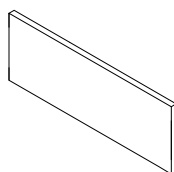
x 1

9



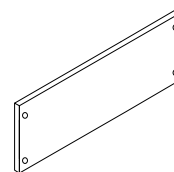
x 8

10



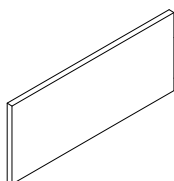
x 4

11



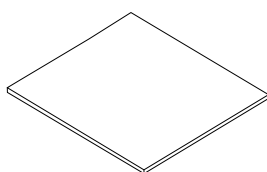
x 2

12



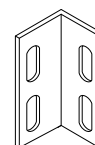
x 2

13



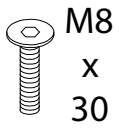
x 2

14



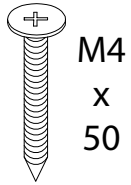
x 8

A



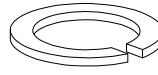
x 14

B



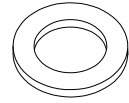
x 8

C



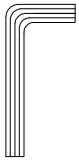
x 4

D



x 49

E



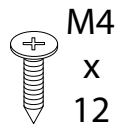
x 1

F



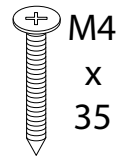
x 32

G



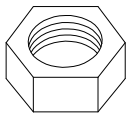
x 32

H



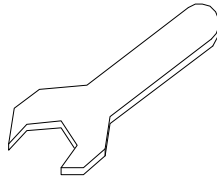
x 30

I



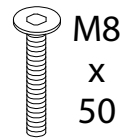
x 6

J



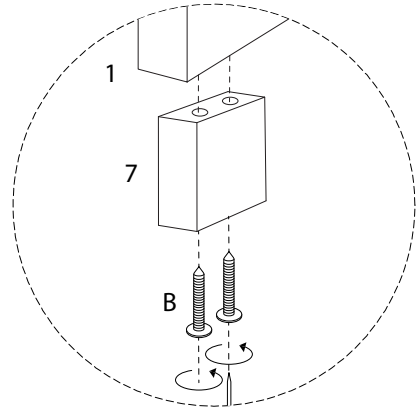
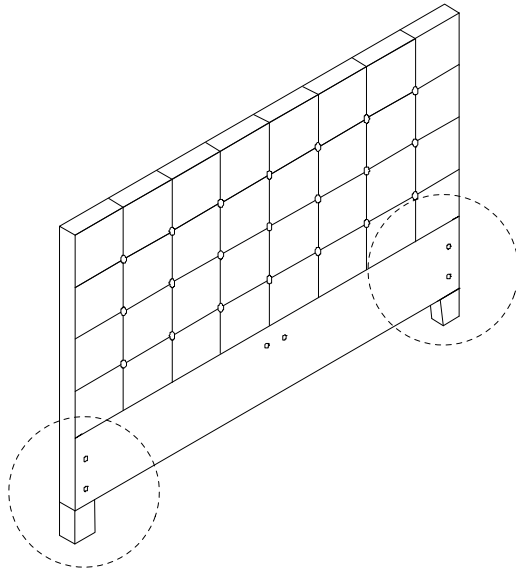
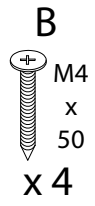
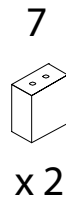
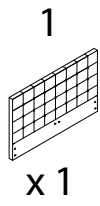
x 1

K

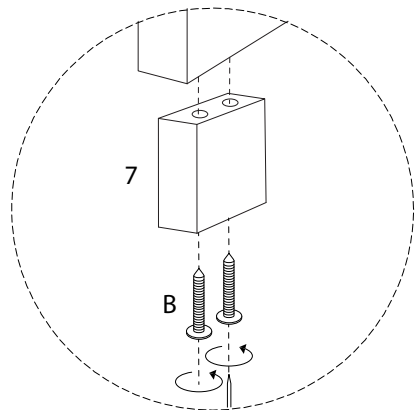
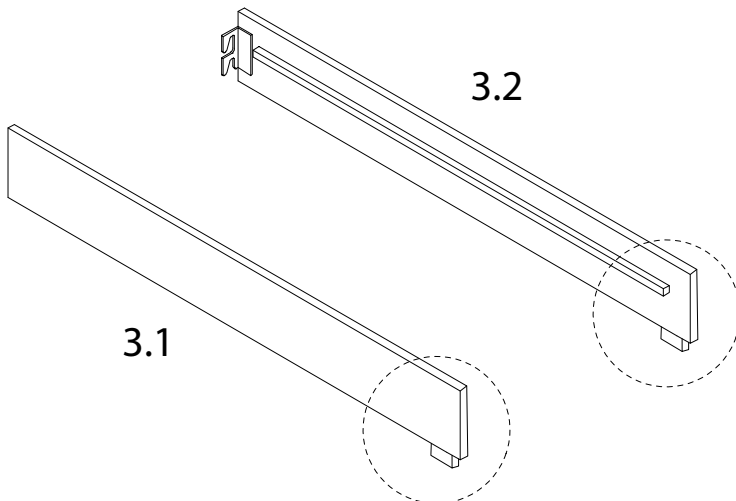
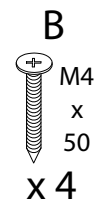
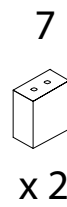
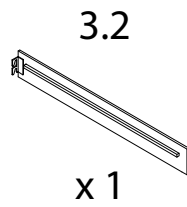
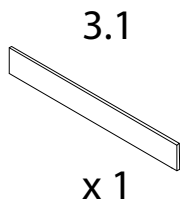


x 3

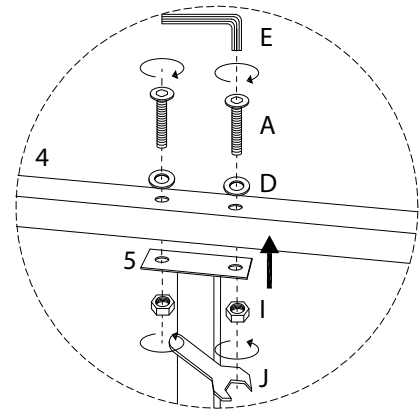
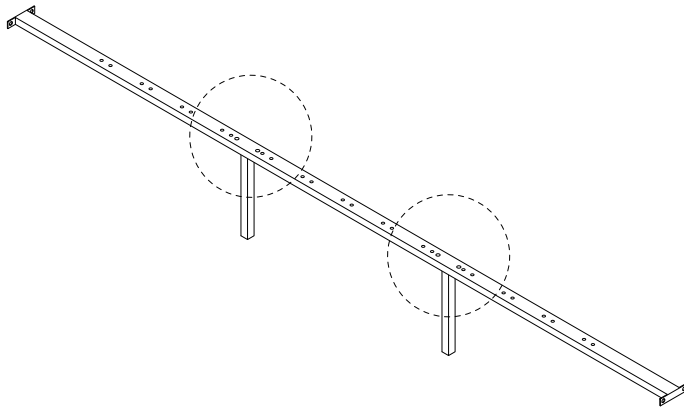
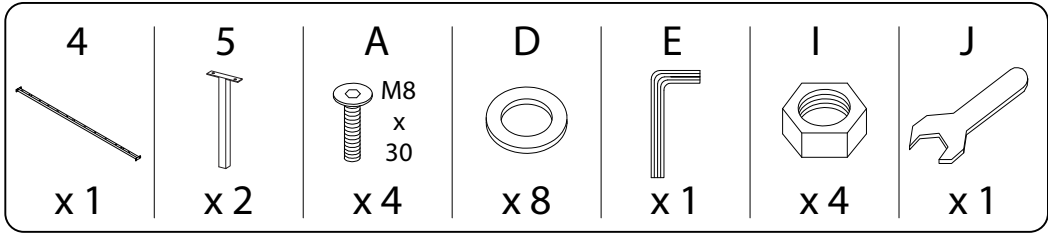
1



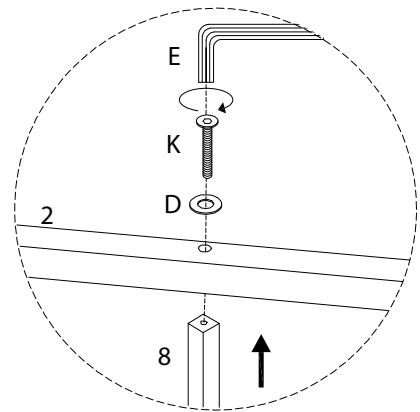
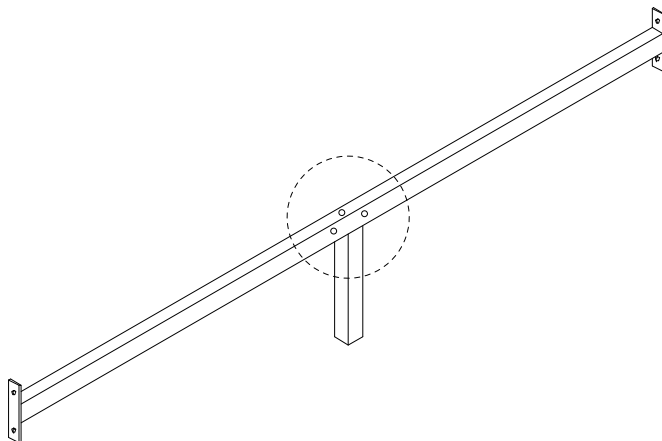
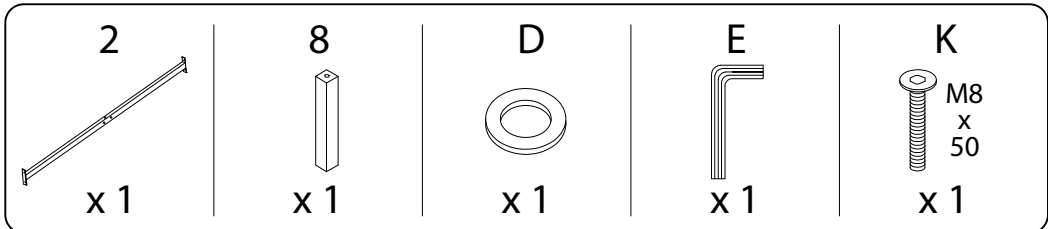
2



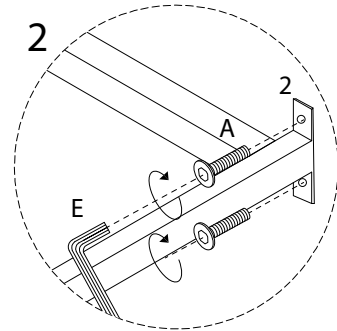
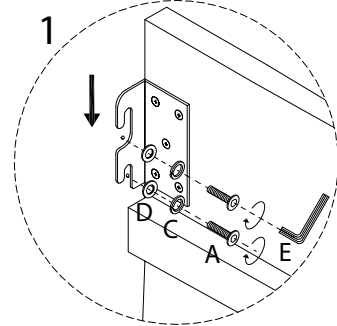
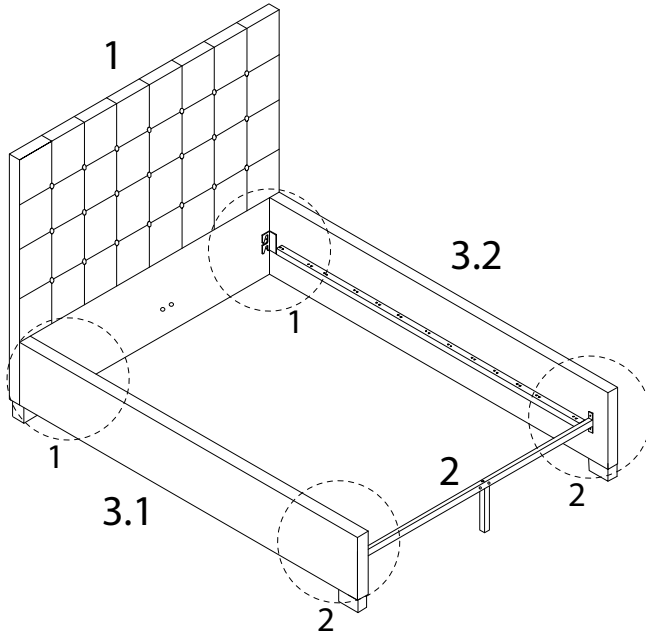
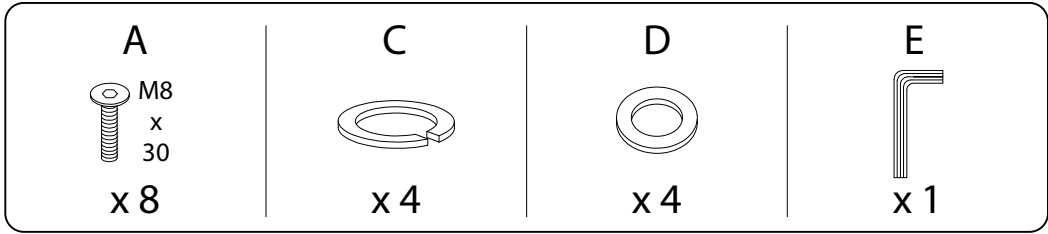
3



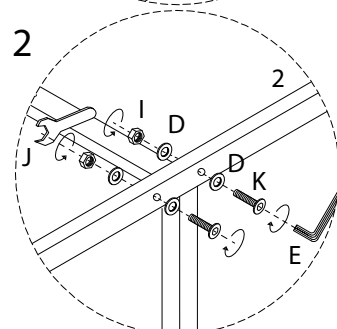
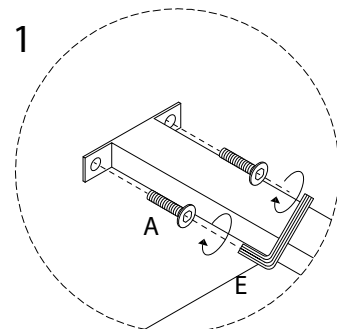
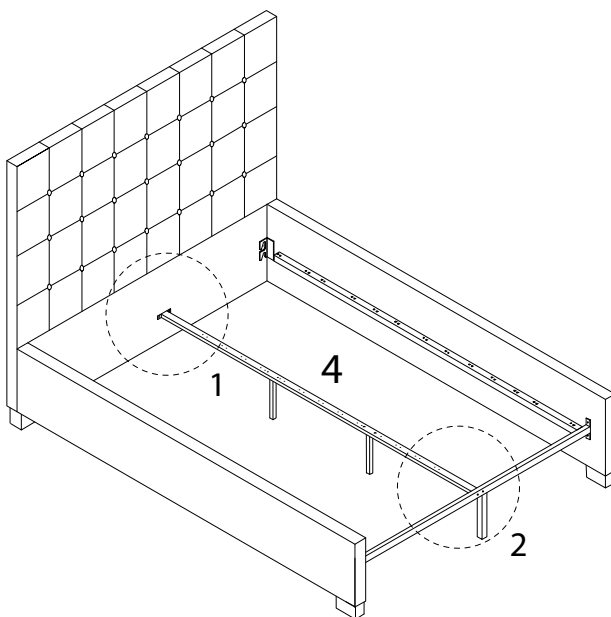
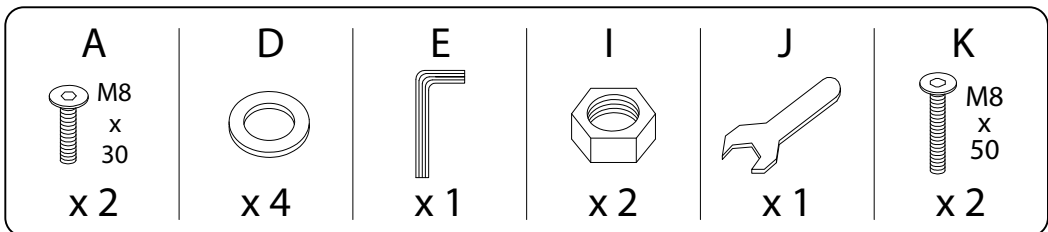
4



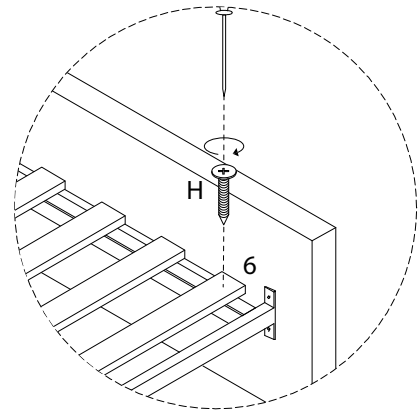
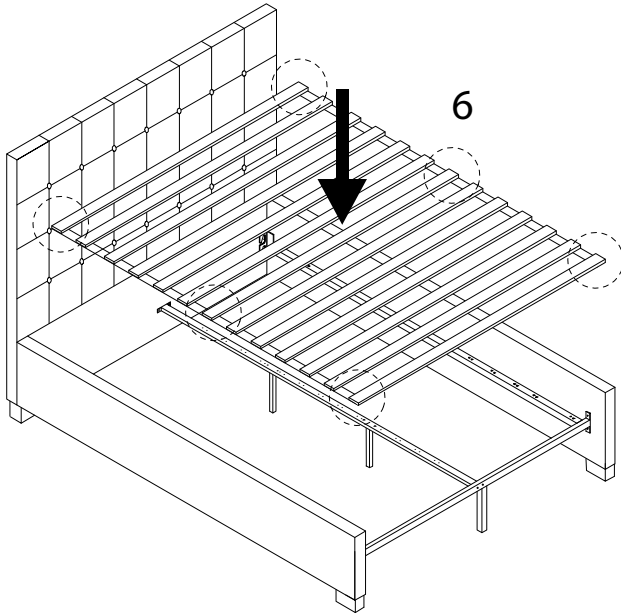
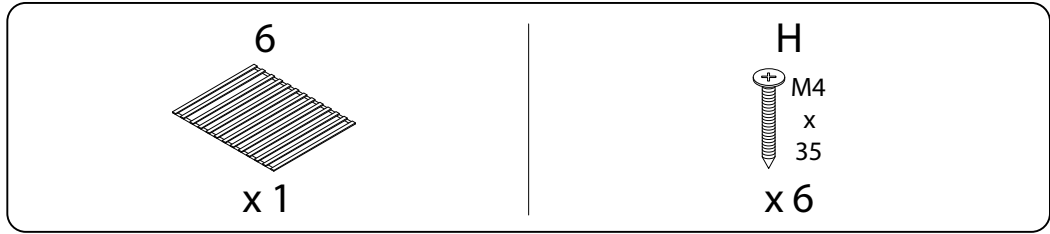
5



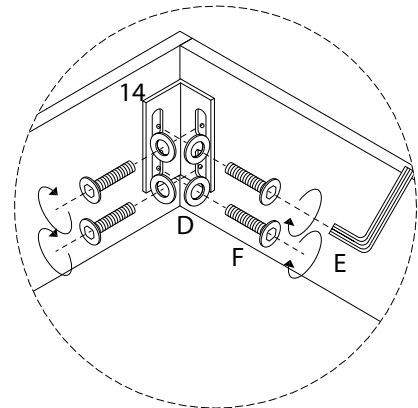
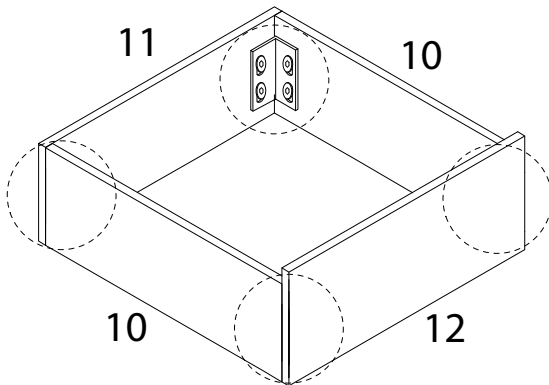
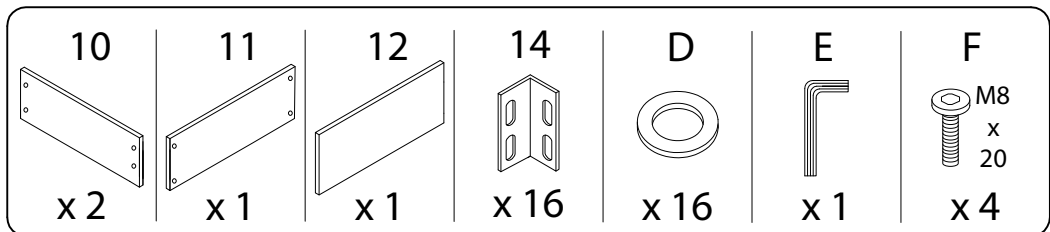
6



7

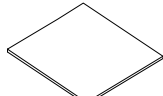


8 x 2



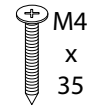
9 x 2

13

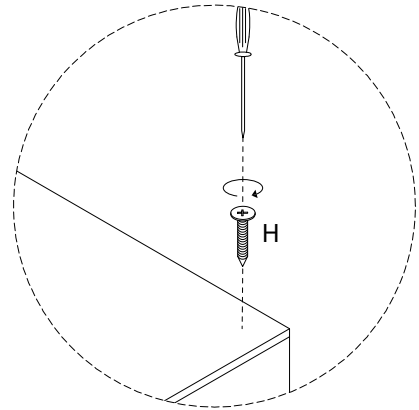
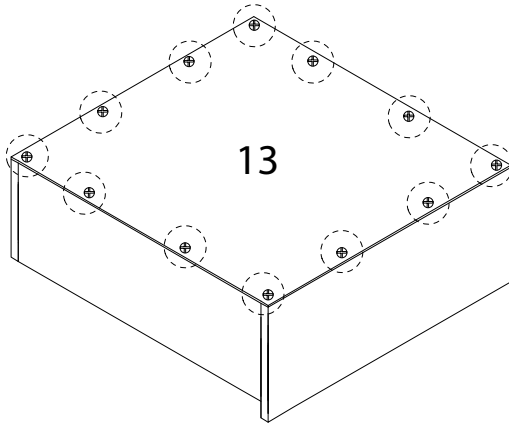


x 1

H

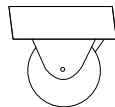


x 12



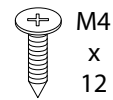
10 x 2

9

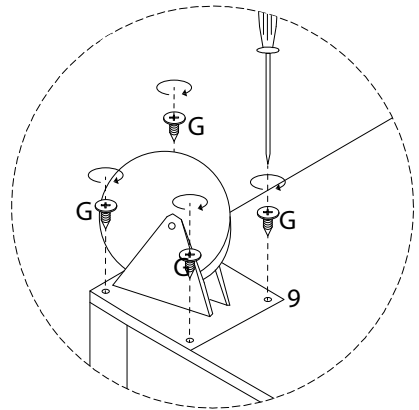
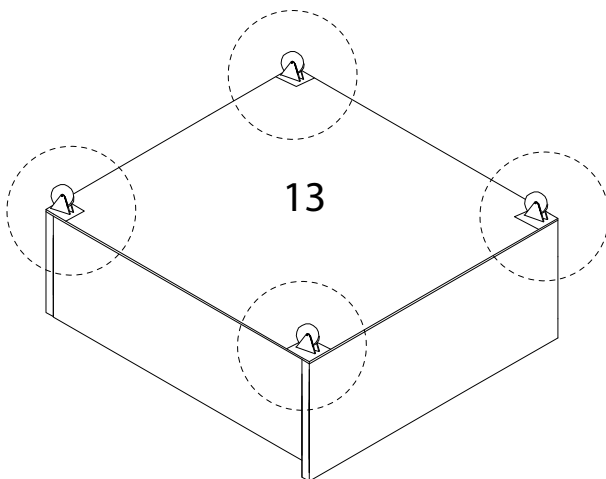


x 4

G



x 16



11

