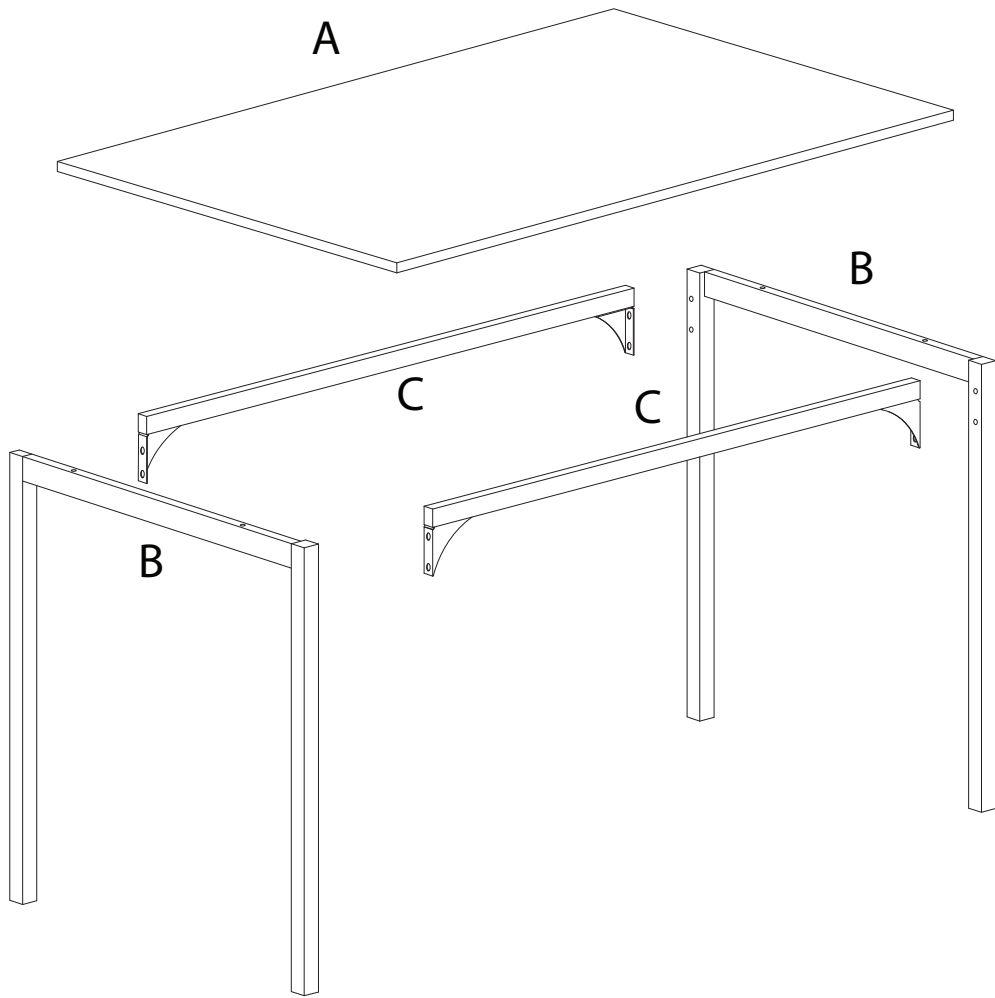
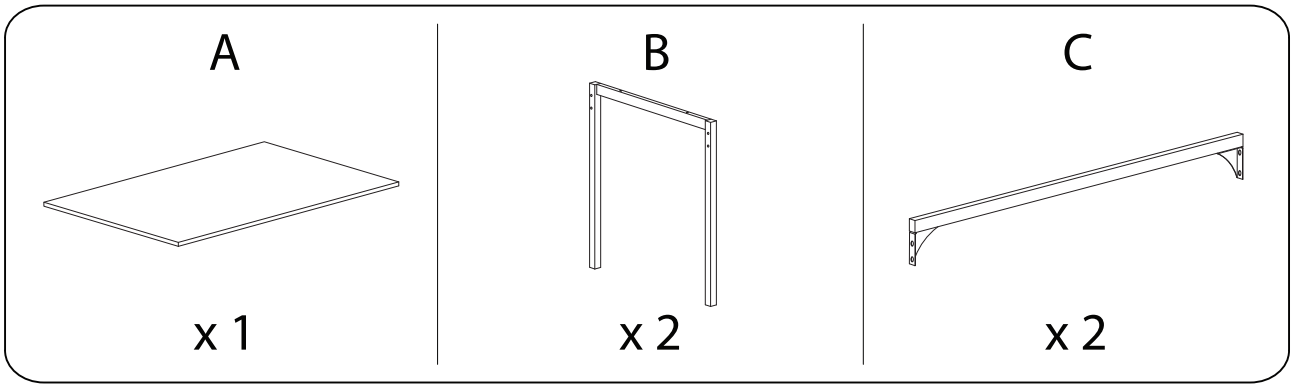


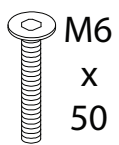
Diagram illustrating assembly instructions and safety warnings:

- Warning 1:** A warning triangle with an exclamation mark is shown next to a circular inset containing an L-shaped corner bracket and a crossed-out power drill icon, indicating that a power drill should not be used for this step.
- Warning 2:** A second warning triangle with an exclamation mark is shown next to a circular inset containing a rectangular block being placed on a surface and a crossed-out icon of the block being lifted, indicating that the block should be placed on a soft surface.
- Time:** A clock icon is shown next to the text "60'", indicating a 60-minute assembly time.
- Personnel:** An icon of a person is shown next to the number "2", indicating that two people are required for assembly.

A

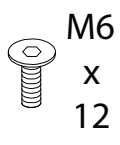


J



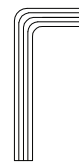
x 4

M



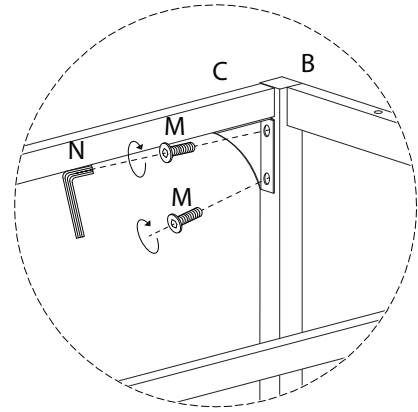
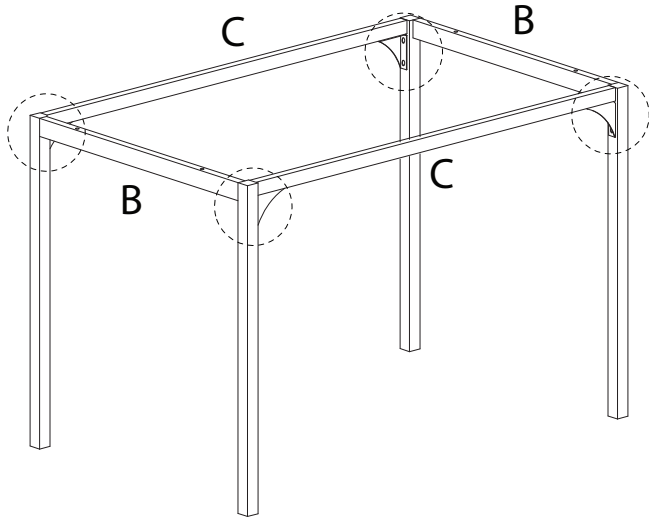
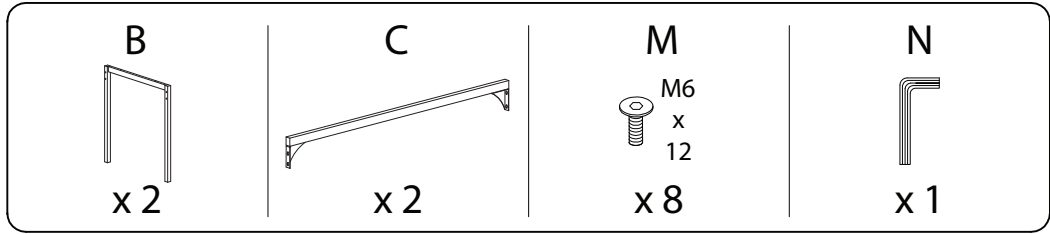
x 8

N

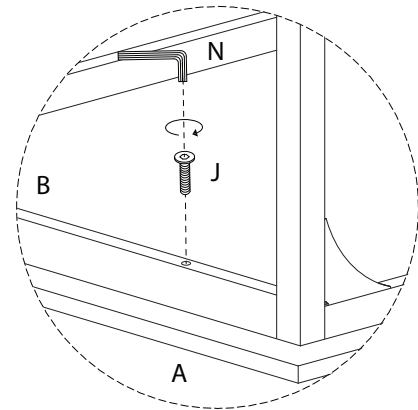
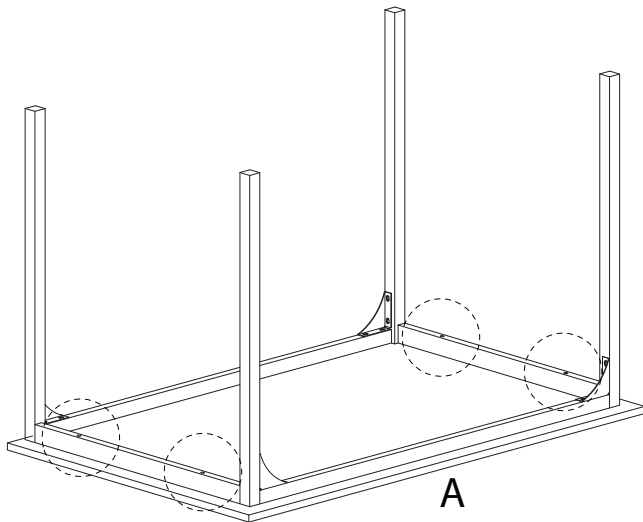
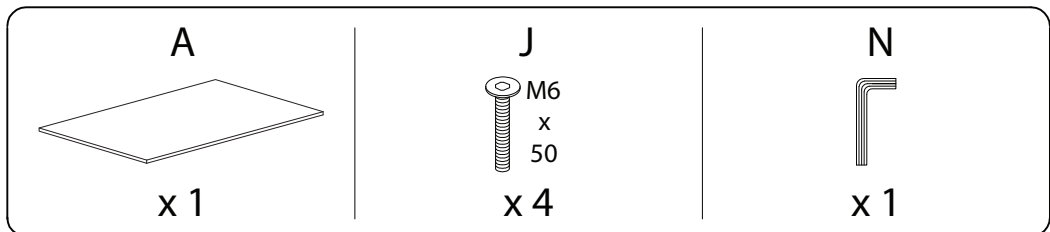


x 1

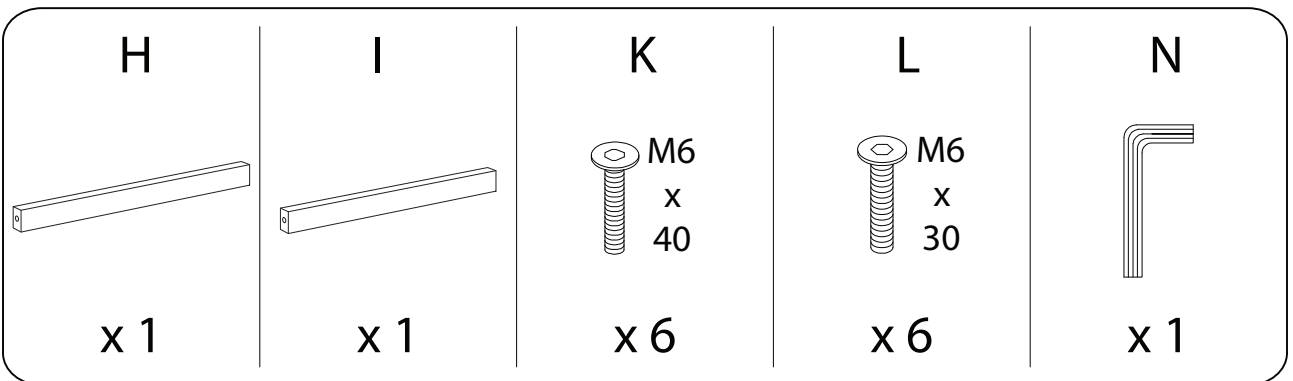
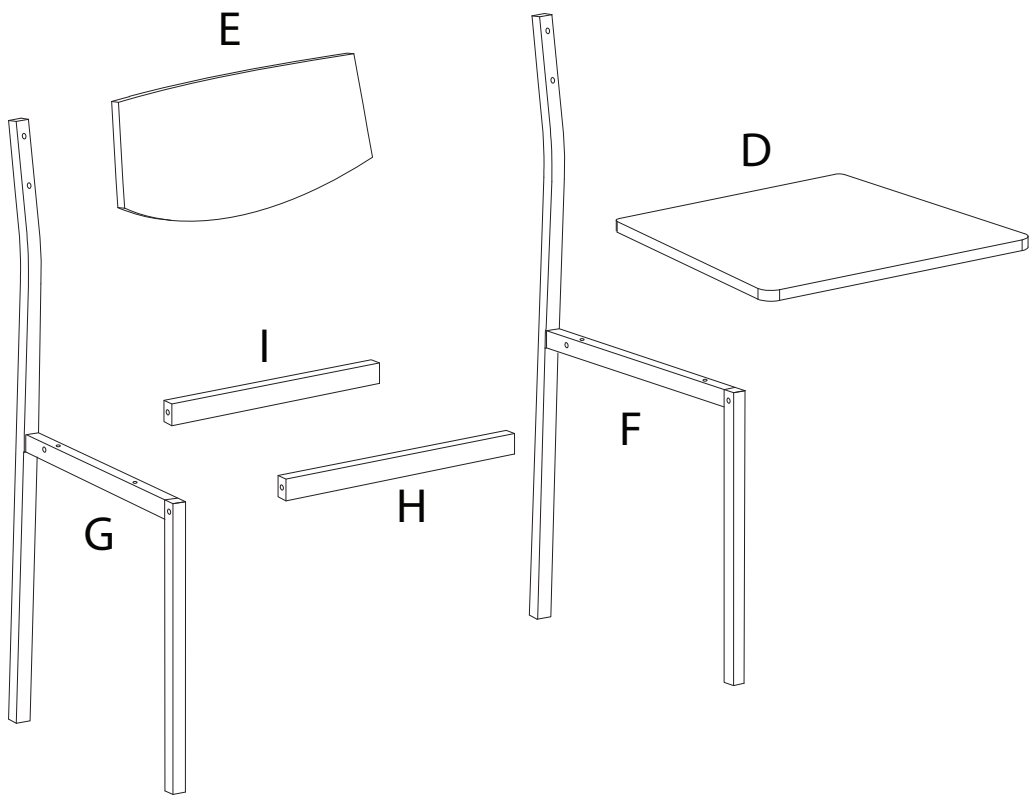
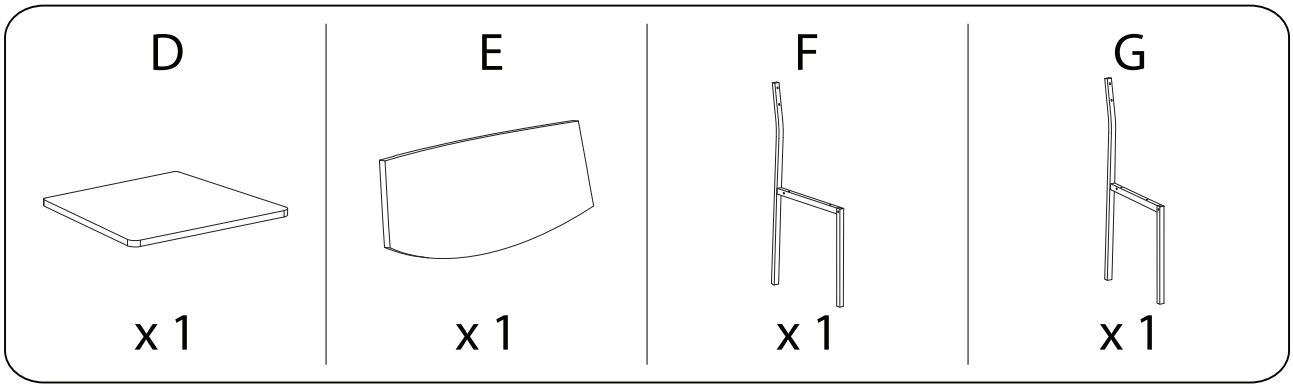
1



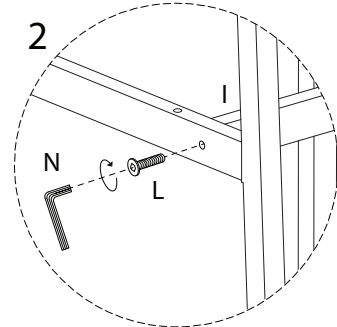
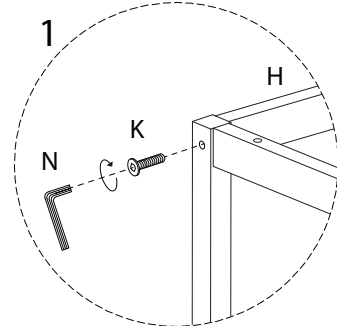
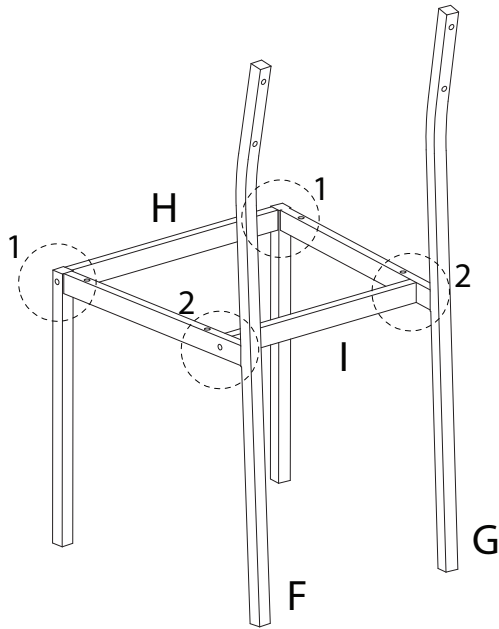
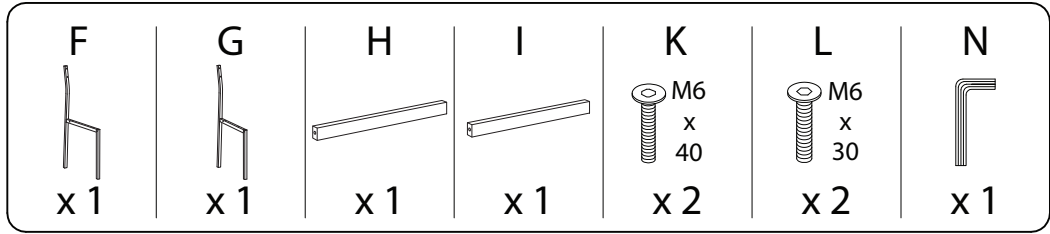
2



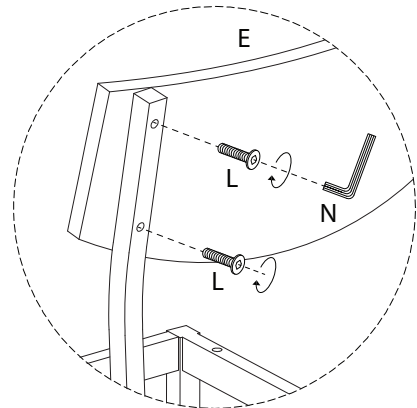
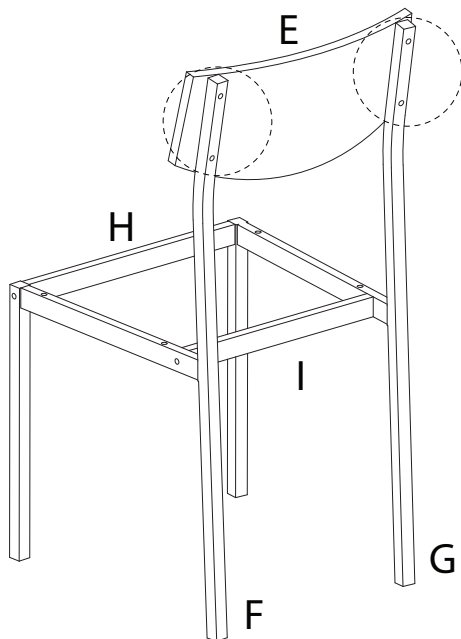
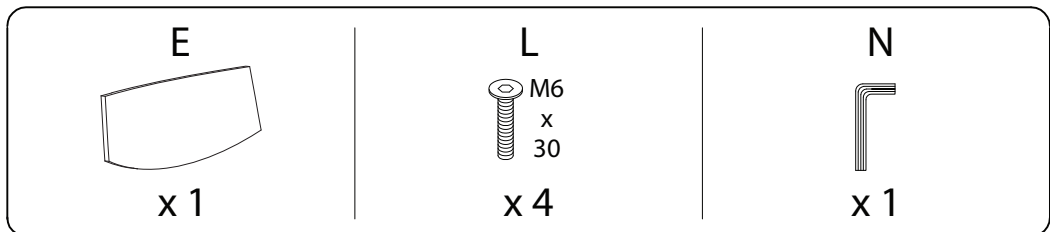
B x 4



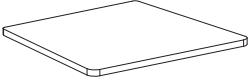
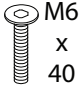
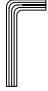
1



2



3

<p>D</p>  <p>x1</p>	<p>K</p>  <p>M6 x 40</p> <p>x4</p>	<p>N</p>  <p>x1</p>
--	---	--

