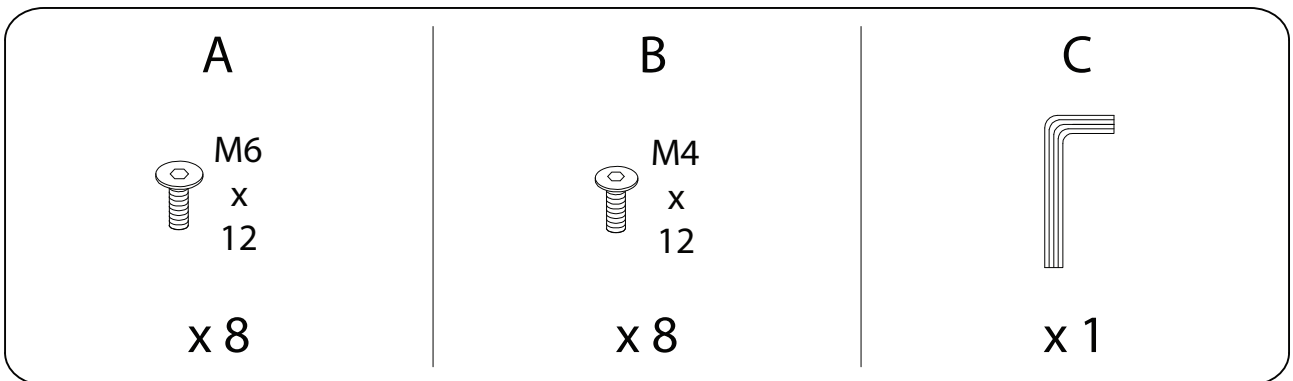
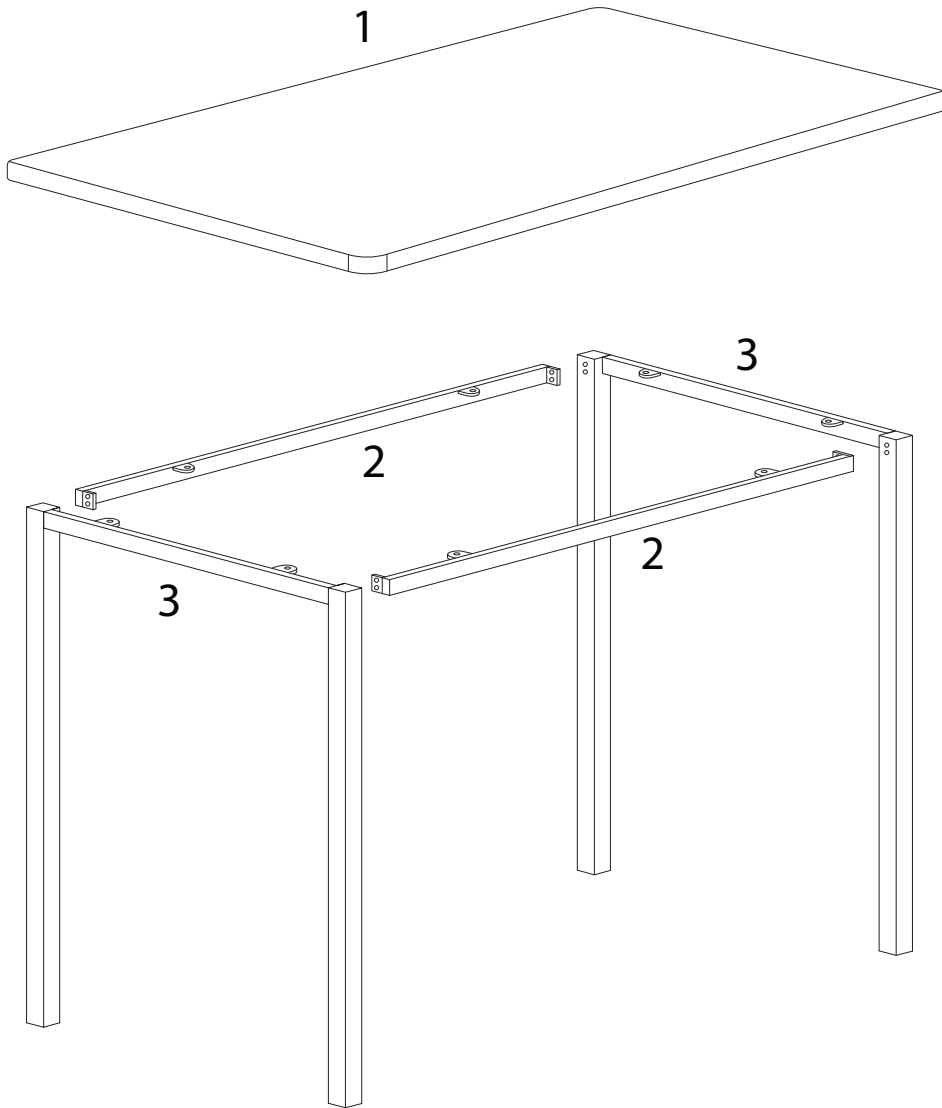
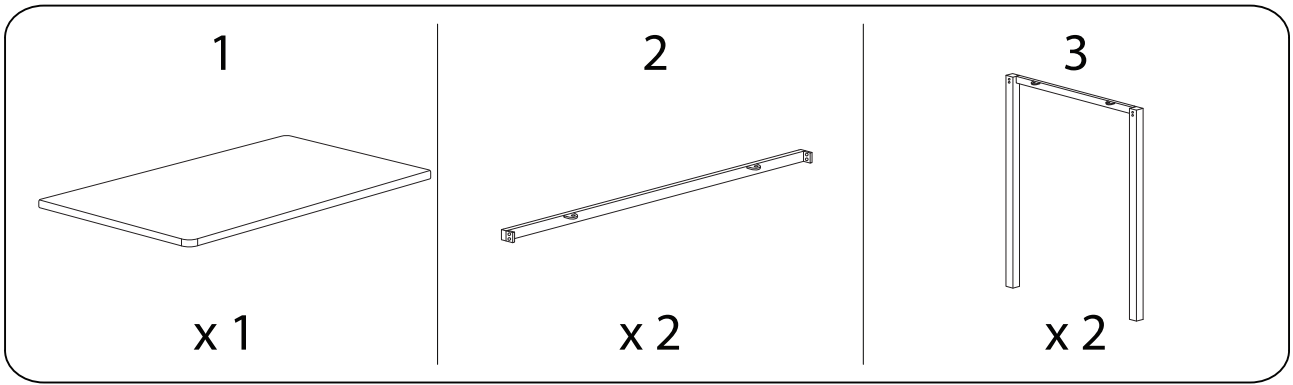


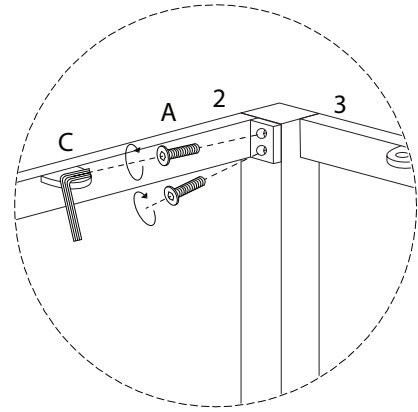
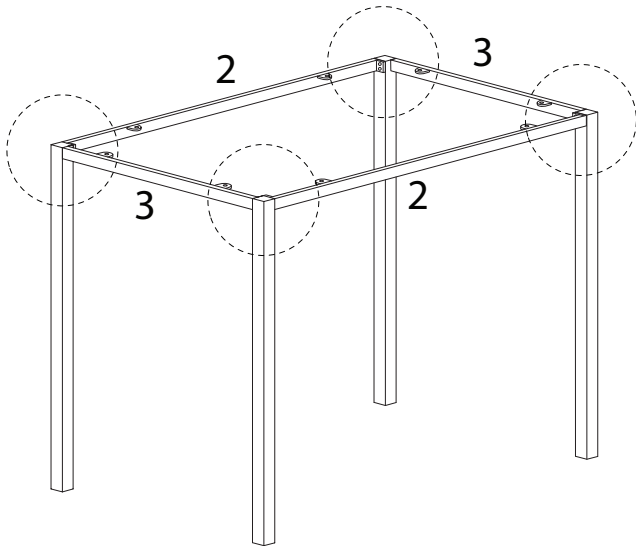
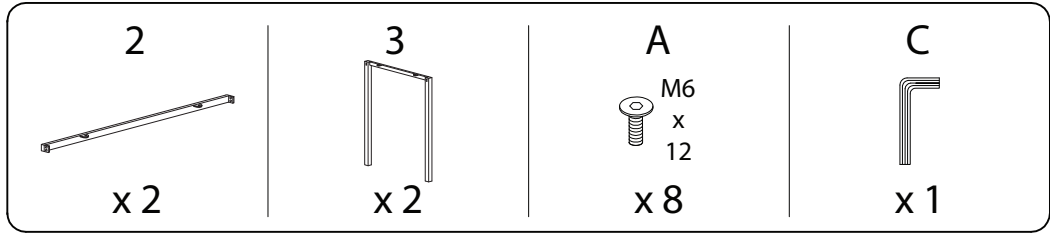
Diagram illustrating assembly instructions and safety warnings:

- Warning 1:** A warning triangle with an exclamation mark is shown next to a circular inset containing an L-shaped corner bracket and a crossed-out power drill icon, indicating that a power drill should not be used for this step.
- Warning 2:** A second warning triangle with an exclamation mark is shown next to a circular inset containing a rectangular block being placed on a surface and a crossed-out icon of a block being lifted, indicating a lifting or placement instruction.
- Time:** A clock icon is shown next to the text "60'", indicating a 60-minute assembly time.
- Personnel:** An icon of a person is shown next to the number "2", indicating that two people are required for assembly.

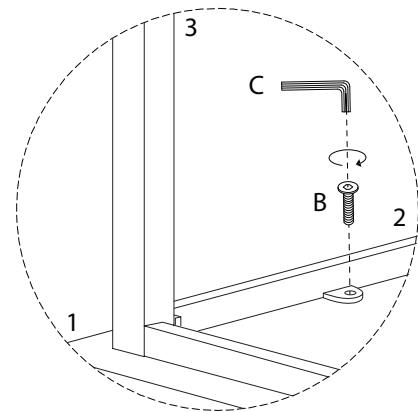
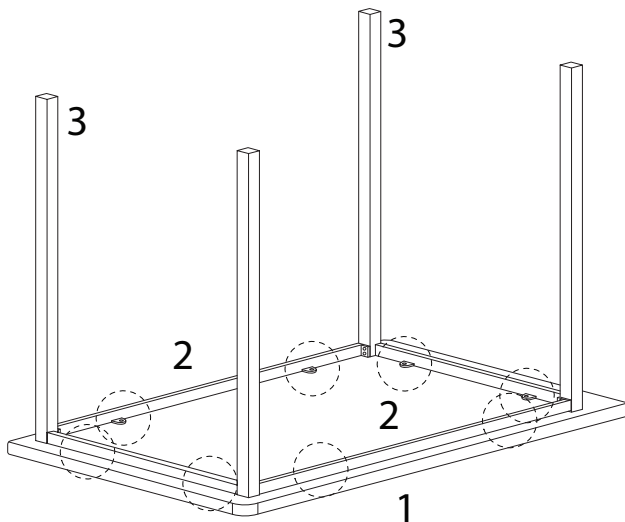
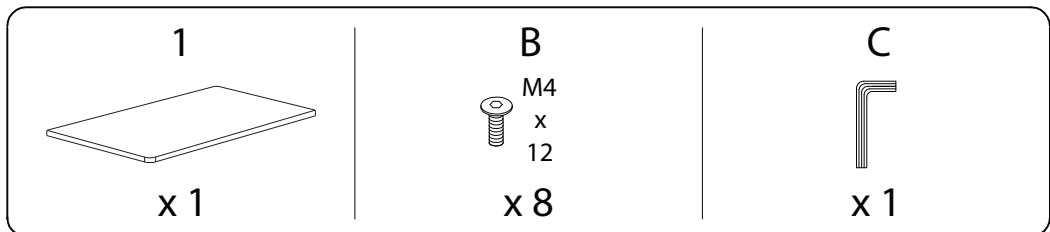
# A



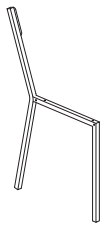

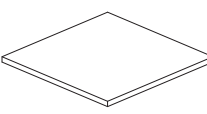
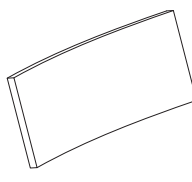
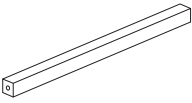
1

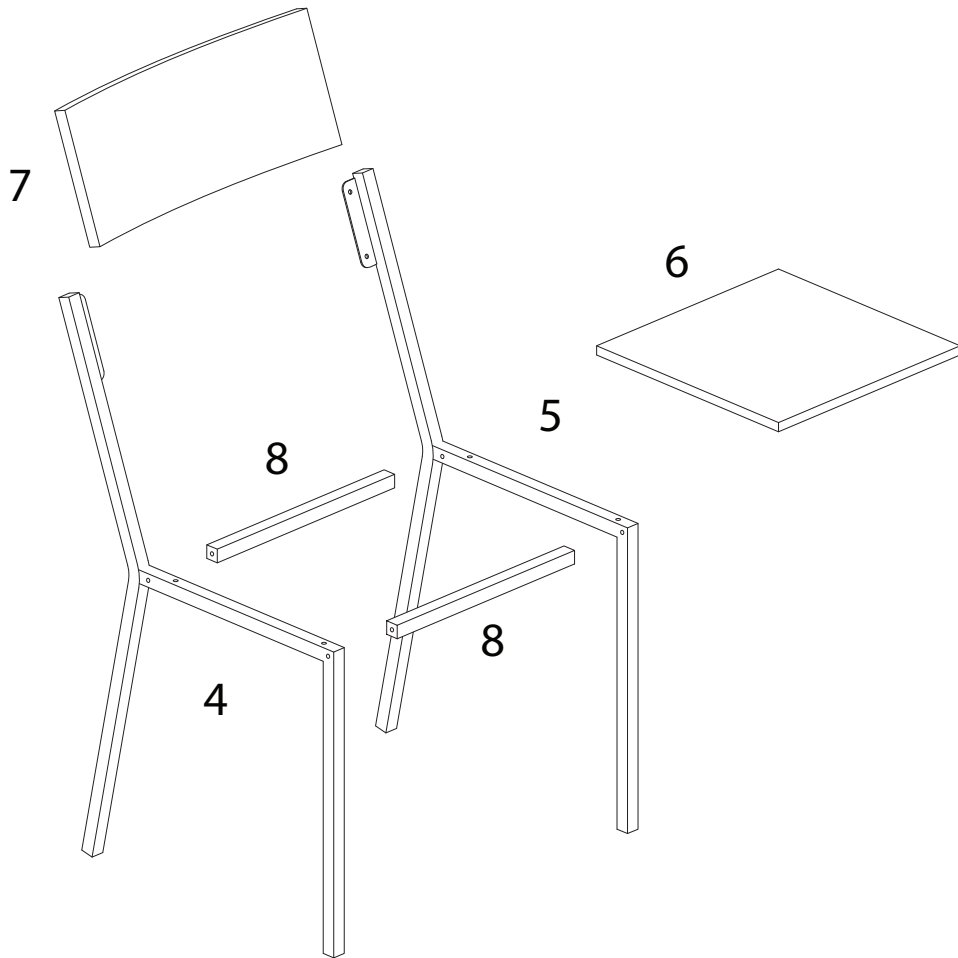


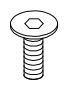

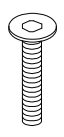
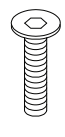
2



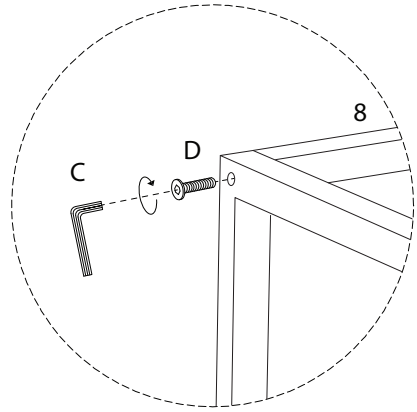
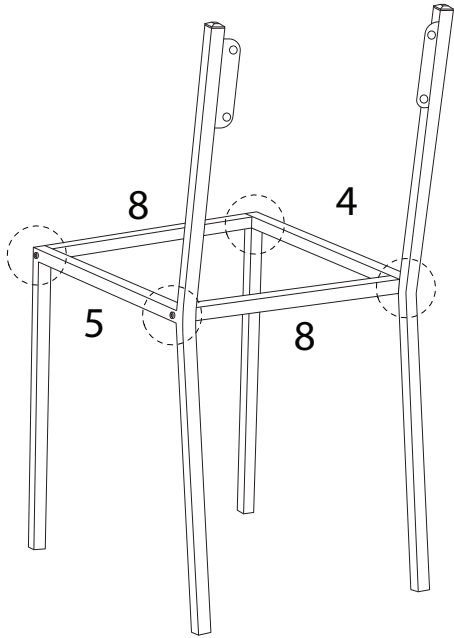
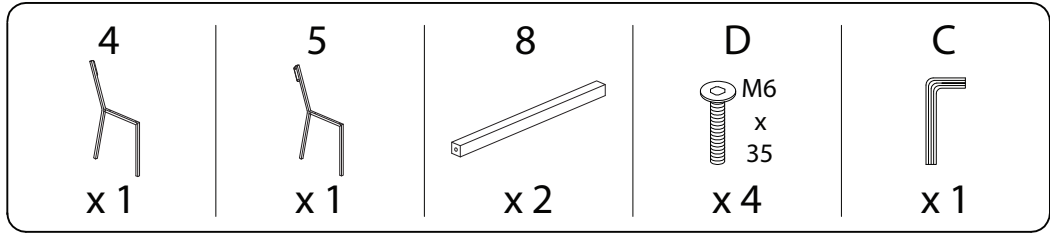
# B x 4

<p>4</p>  <p>x 1</p>	<p>5</p>  <p>x 1</p>	<p>6</p>  <p>x 1</p>	<p>7</p>  <p>x 1</p>	<p>8</p>  <p>x 2</p>
---	---	---	--	---

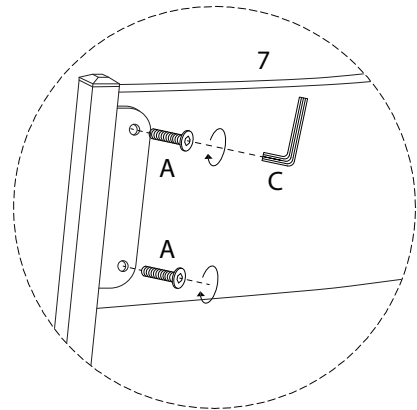
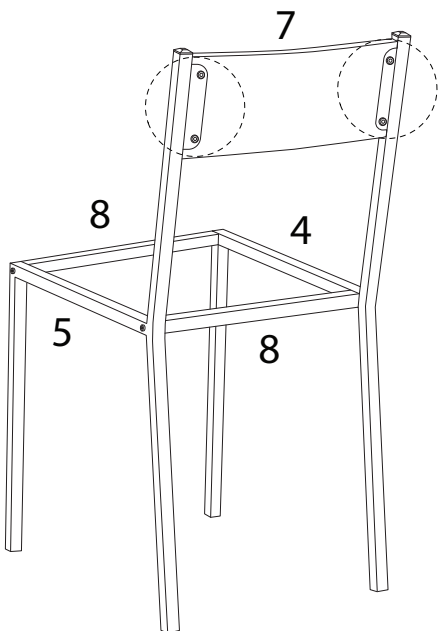
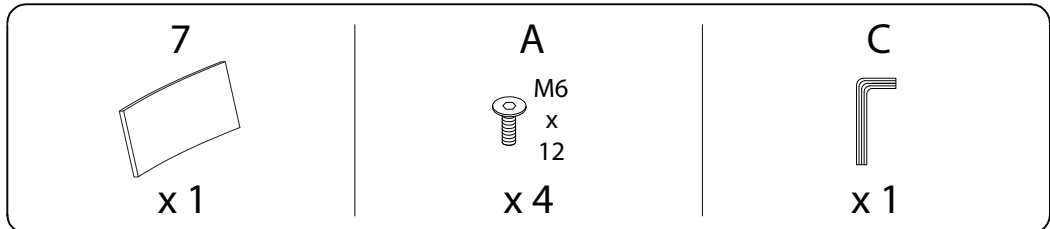


<p>A</p>  <p>M6 x 12</p> <p>x 4</p>	<p>C</p>  <p>x 1</p>	<p>D</p>  <p>M6 x 35</p> <p>x 4</p>	<p>E</p>  <p>M6 x 28</p> <p>x 4</p>
--	---	--	--

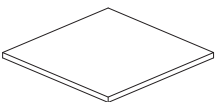


1



2



3

<p>6</p>  <p>x1</p>	<p>E</p>  <p>M6 x 28</p> <p>x4</p>	<p>C</p>  <p>x1</p>
--	---	--

