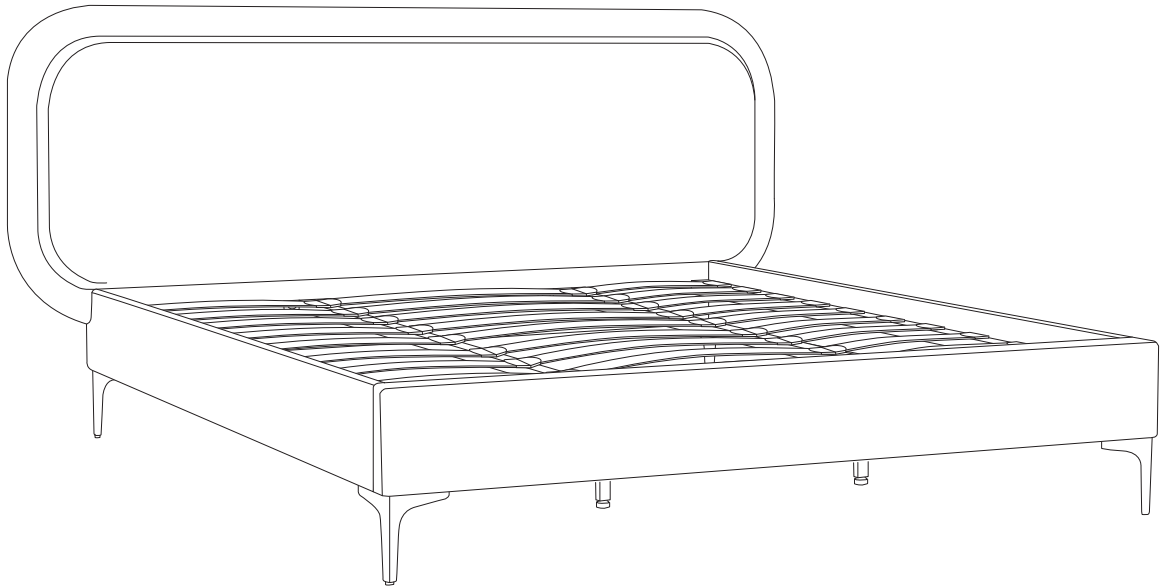
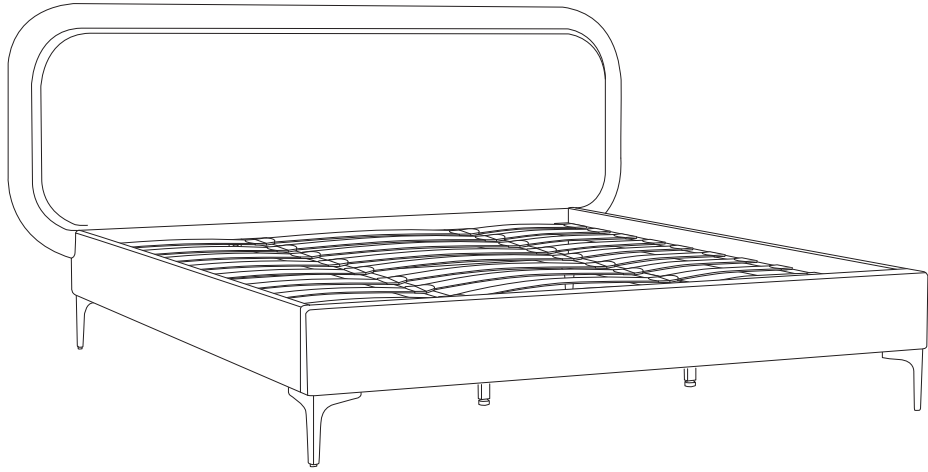
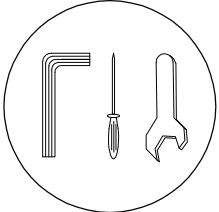
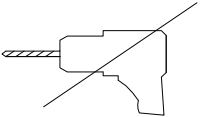

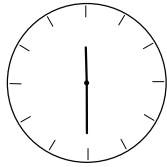
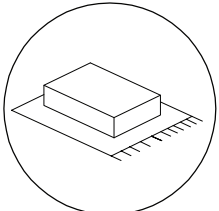
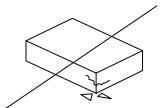

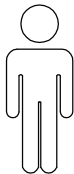
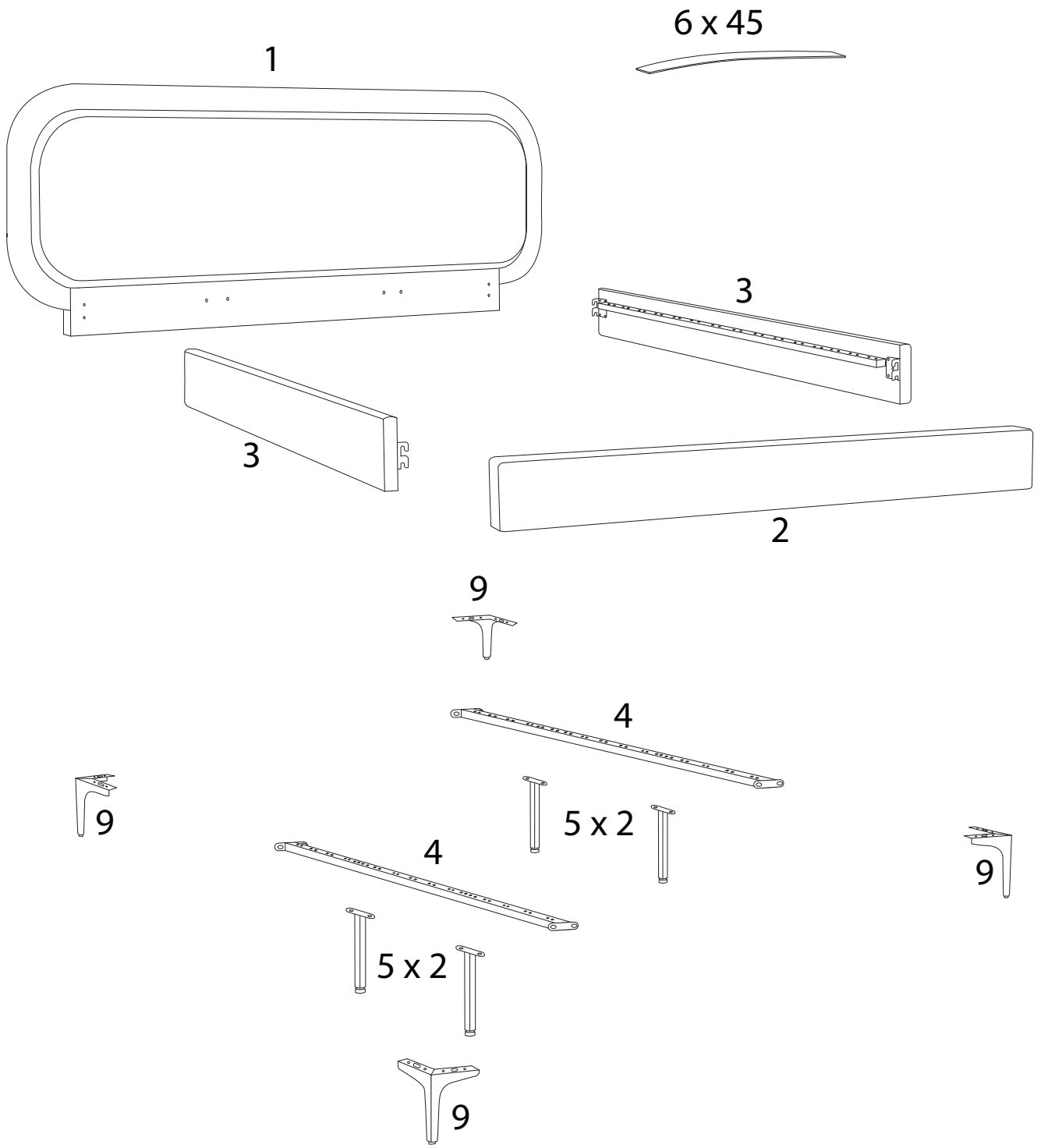


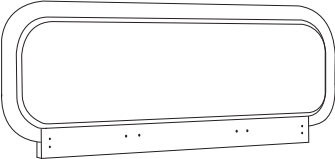


SUZETTE



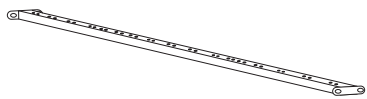


 		
 		
		30'
		2



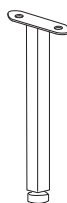
<p>1</p>  <p>x 1</p>	<p>2</p>  <p>x 1</p>	<p>3</p>  <p>x 2</p>
---------------------------------------------------------------------------------------------------------	---------------------------------------------------------------------------------------------------------	-----------------------------------------------------------------------------------------------------------

4



x 2

5



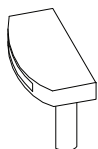
x 4

6



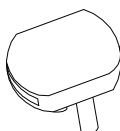
x 45

7



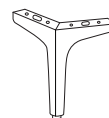
x 30

8



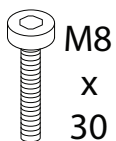
x 30

9



x 4

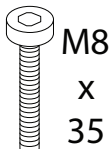
A



M8
x
30

x 24

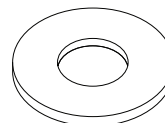
B



M8
x
35

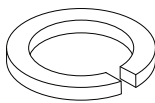
x 8

C



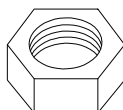
x 8

D



x 8

E



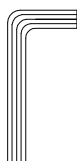
x 8

F



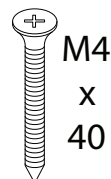
x 1

G



x 1

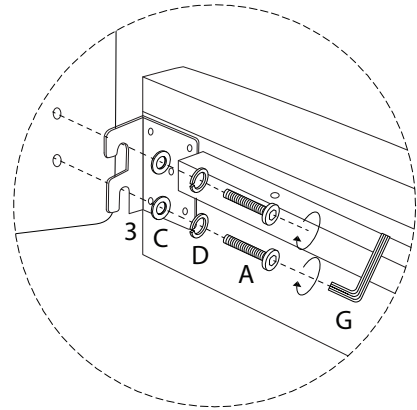
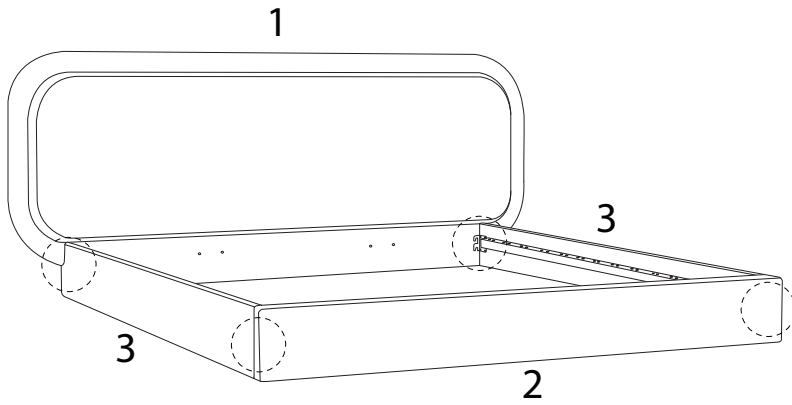
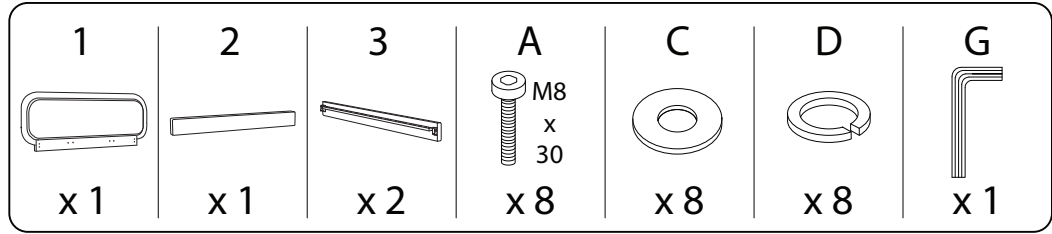
H



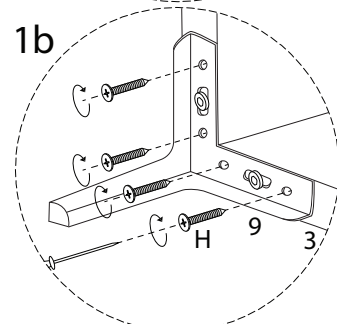
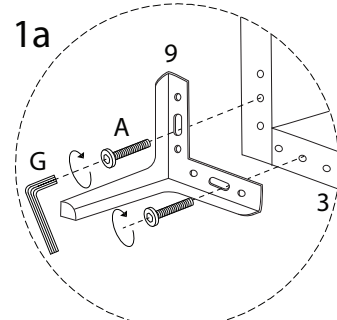
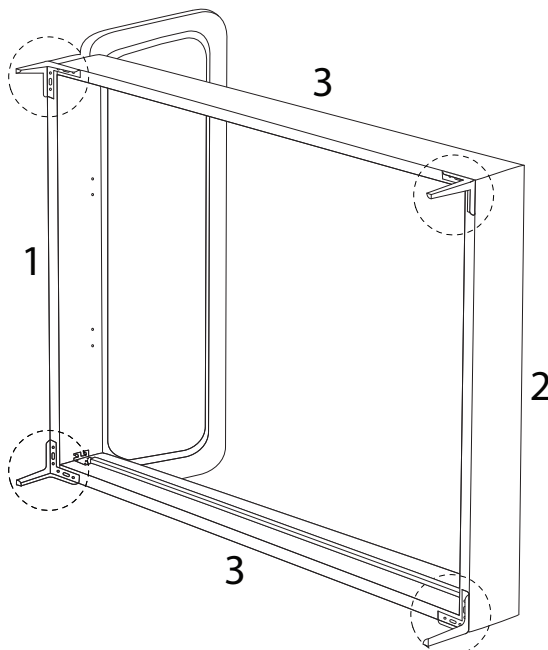
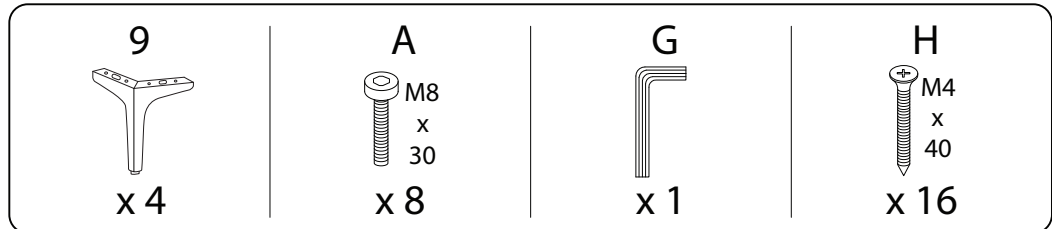
M4
x
40

x 16



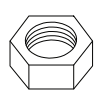
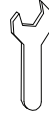
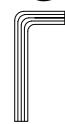
1

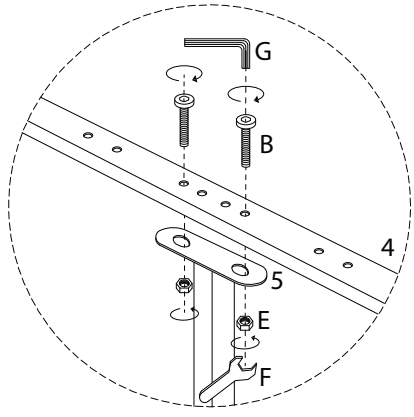
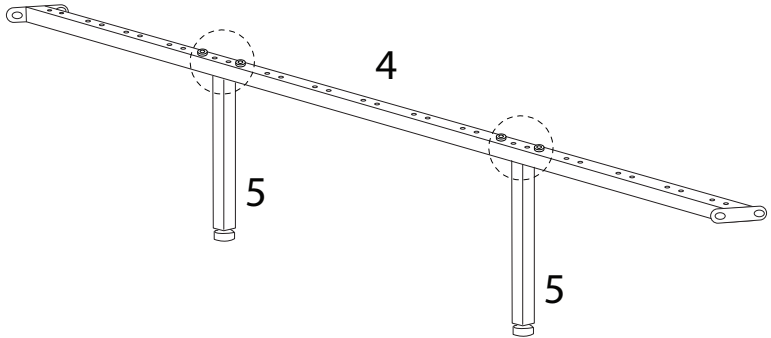


2

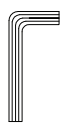


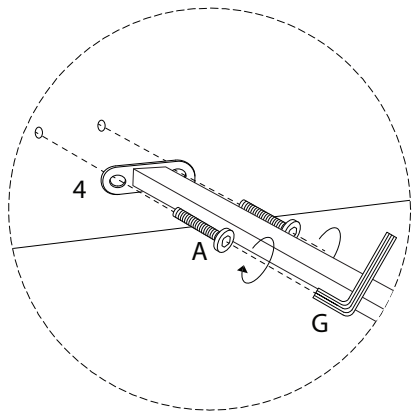
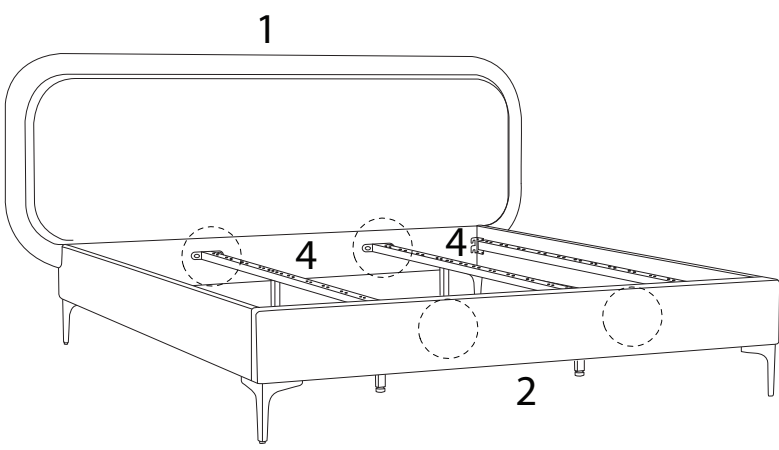
3 x 2

4  x 1	5  x 2	B M8 x 35 x 4	E  x 4	F  x 1	G  x 1
------------------------------------------------------------------------------------------------------	------------------------------------------------------------------------------------------------------	----------------------------------	-------------------------------------------------------------------------------------------------------	--------------------------------------------------------------------------------------------------------	--------------------------------------------------------------------------------------------------------






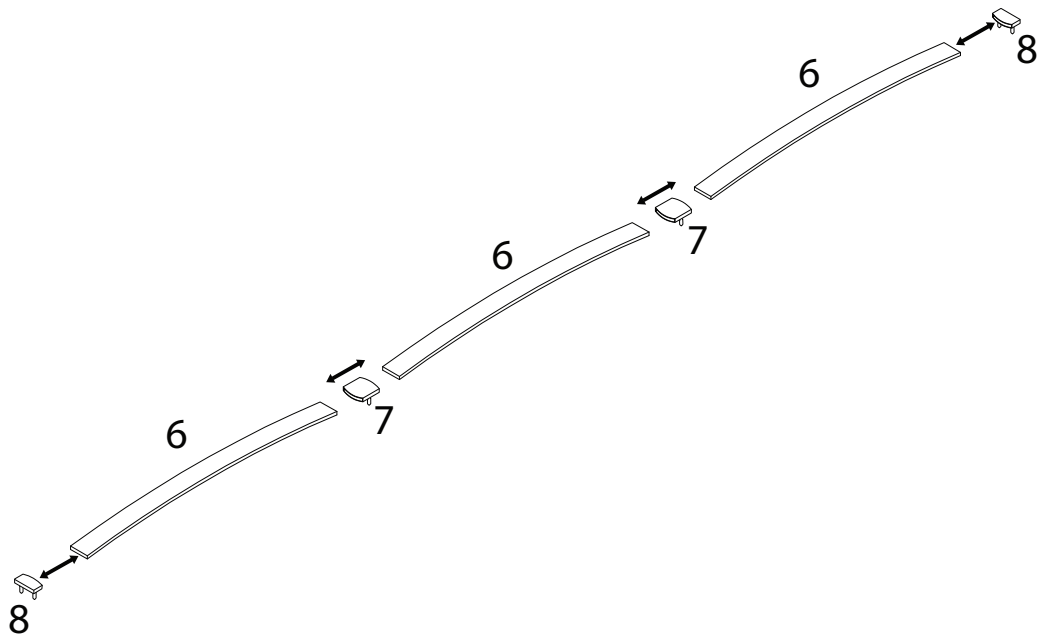
4

A M8 x 30 x 8	G  x 1
----------------------------------	----------------------------------------------------------------------------------------------------------

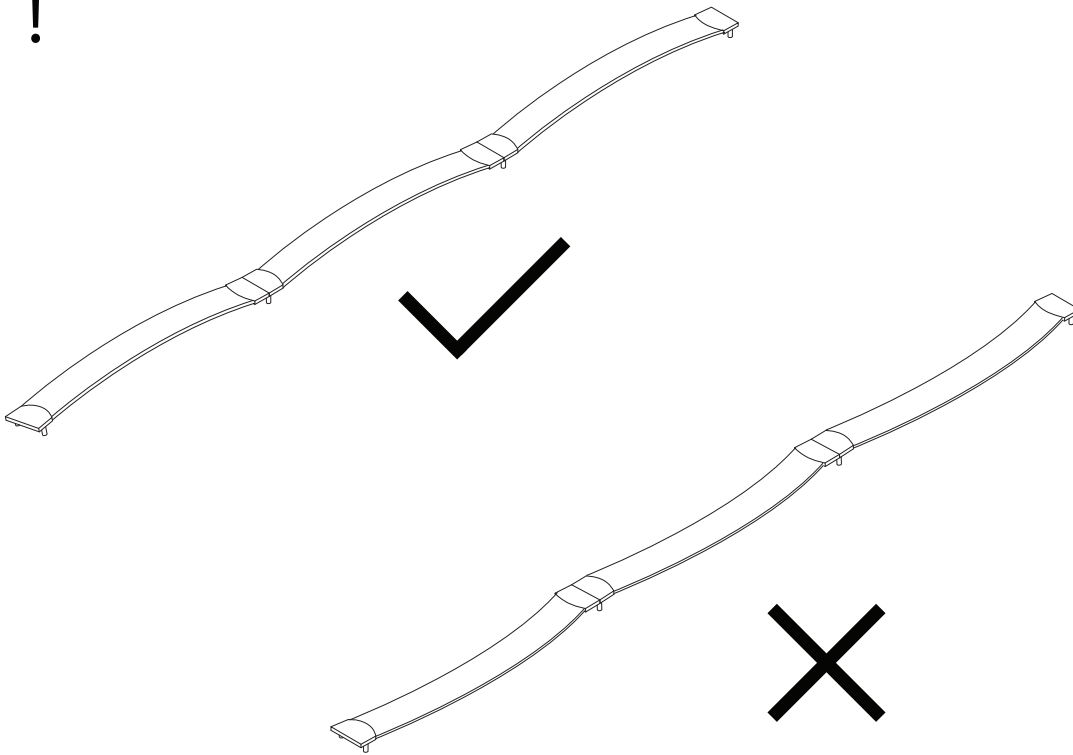


5 x 15

<p>6</p>  <p>x3</p>	<p>7</p>  <p>x2</p>	<p>8</p>  <p>x2</p>
------------------------------------------------------------------------------------------------------	------------------------------------------------------------------------------------------------------	--------------------------------------------------------------------------------------------------------



!



6

