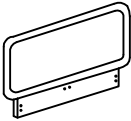

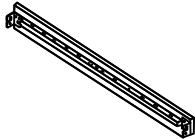

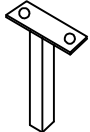


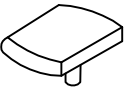

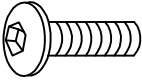
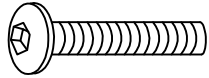



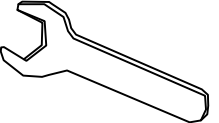
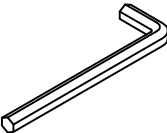


PART LIST

1.Headboard 1pc 	2.Footboard 1pc 	3.Side Rail*2pcs 
4.Metal Bar 2 pc 	5.Support Leg *4pcs 	6.Slats*45pcs 
7.Single Plastic Cap*30pcs 	8.Double Plastic Cap*30pcs 	9.Leg*4pcs 

HARDWARE LIST

(A)Bolt M8*30mm*24pcs 	(B)Bolt M8*35mm*8pcs 	(C)Flat Washer *8pcs 
(D)Spring Washer*8pcs 	(E)Nut M8*8pcs 	(F)Spanner *1pc 
(G)Allen Key M5*1pc 	(H)Bolt M4*40mm*16pcs 