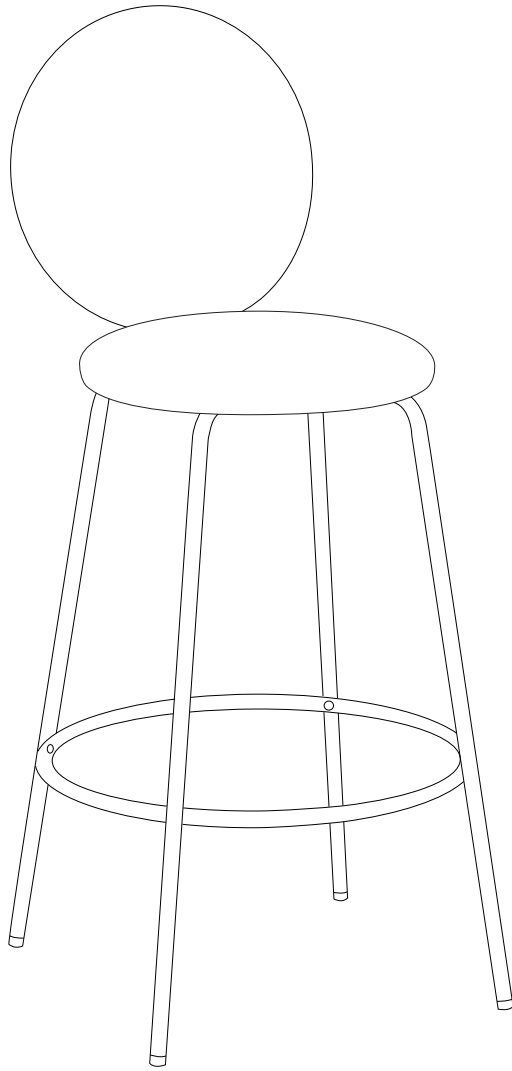


EMERY



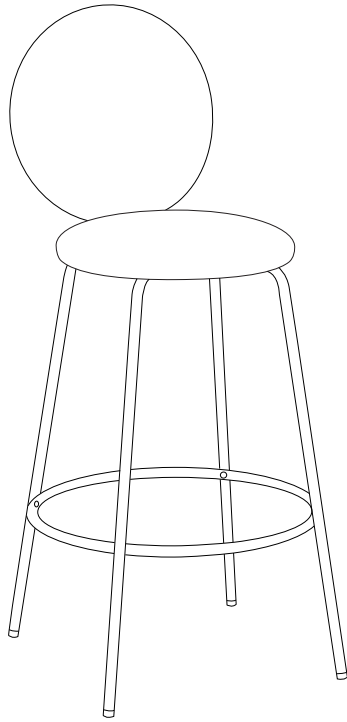
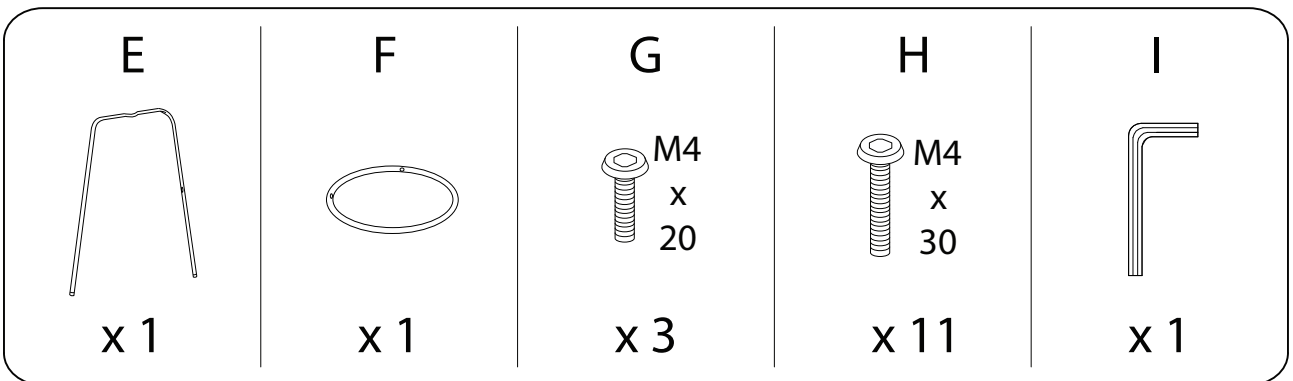
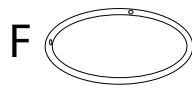
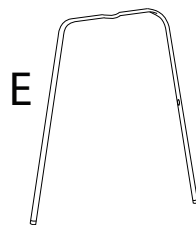
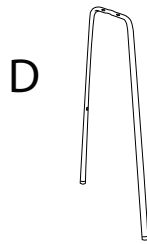
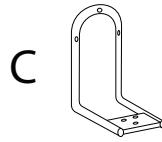
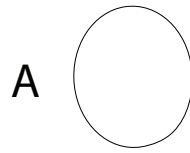
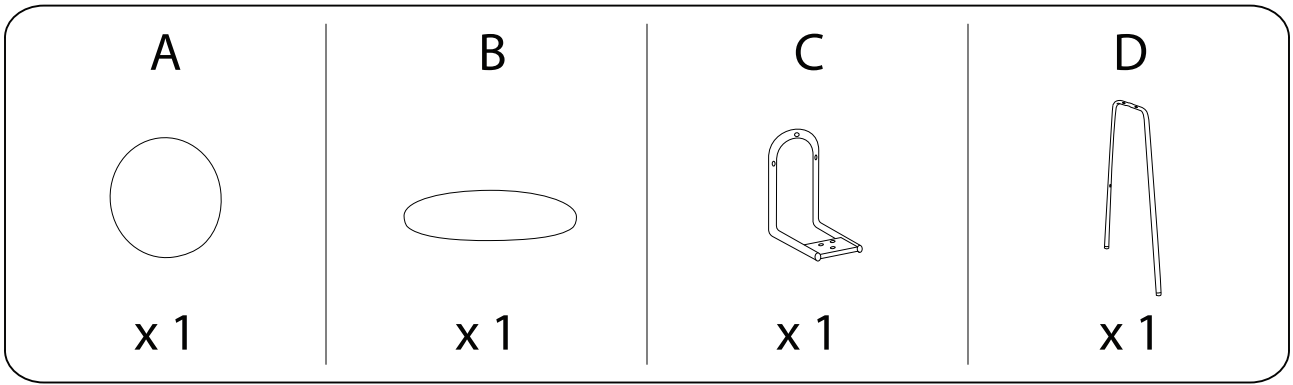


Diagram illustrating assembly steps and safety warnings:

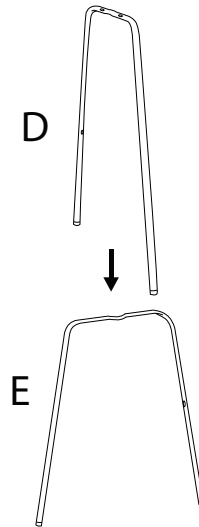
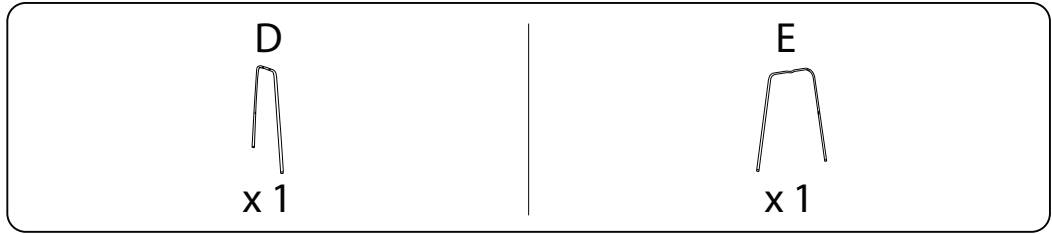
- Step 1:** Shows an Allen key and a power drill with a diagonal line through it, indicating that a power drill should not be used. A warning triangle with an exclamation mark is present.
- Step 2:** Shows a rectangular block being placed on a surface and another block being inserted into it. A warning triangle with an exclamation mark is present.

Timing and personnel requirements:

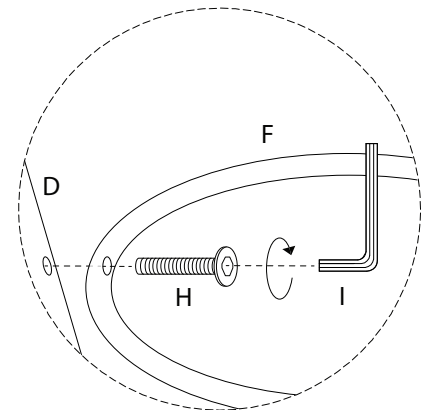
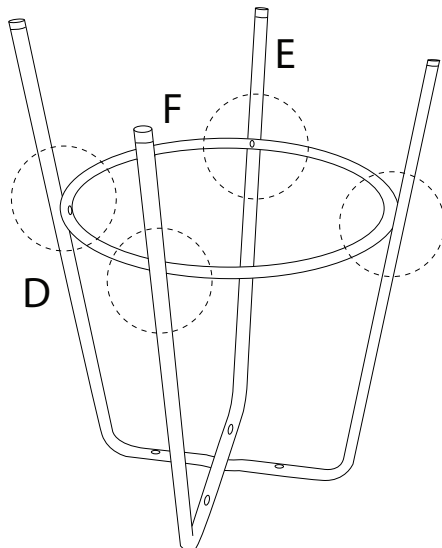
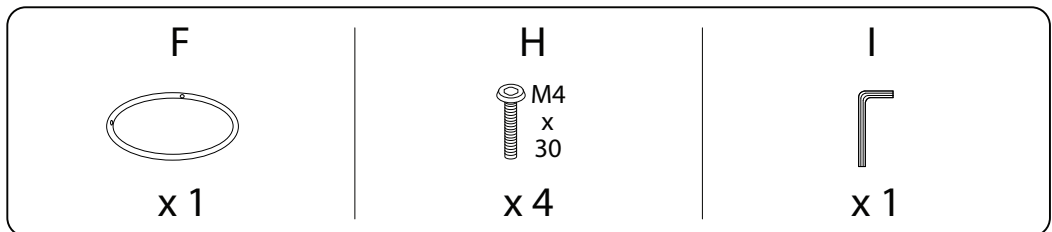
- Estimated time: 15' (15 minutes), represented by a clock icon.
- Number of people required: 2, represented by a person icon.



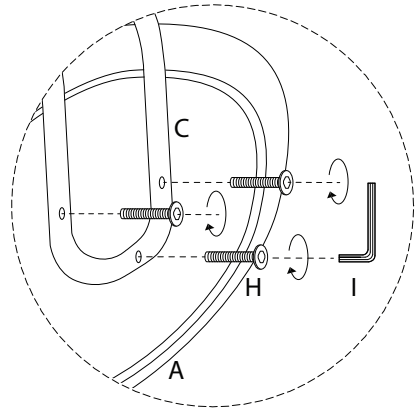
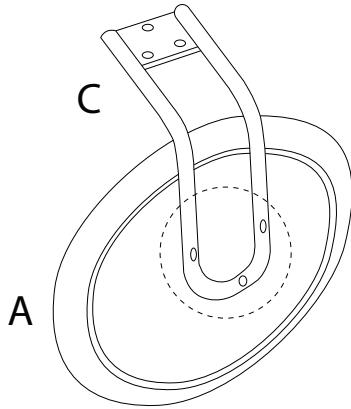
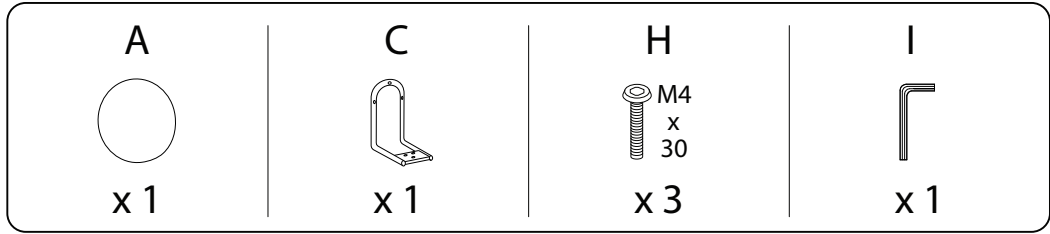
1



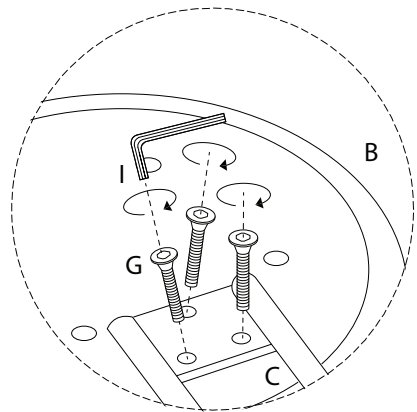
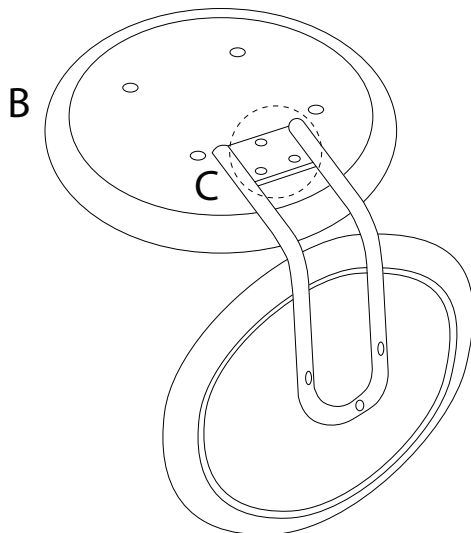
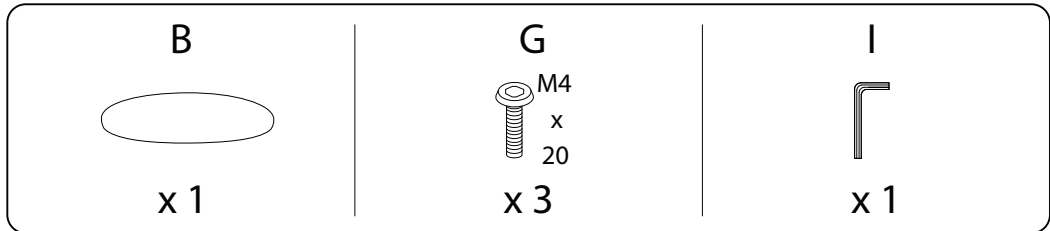
2



3



4



5

H



x 4

