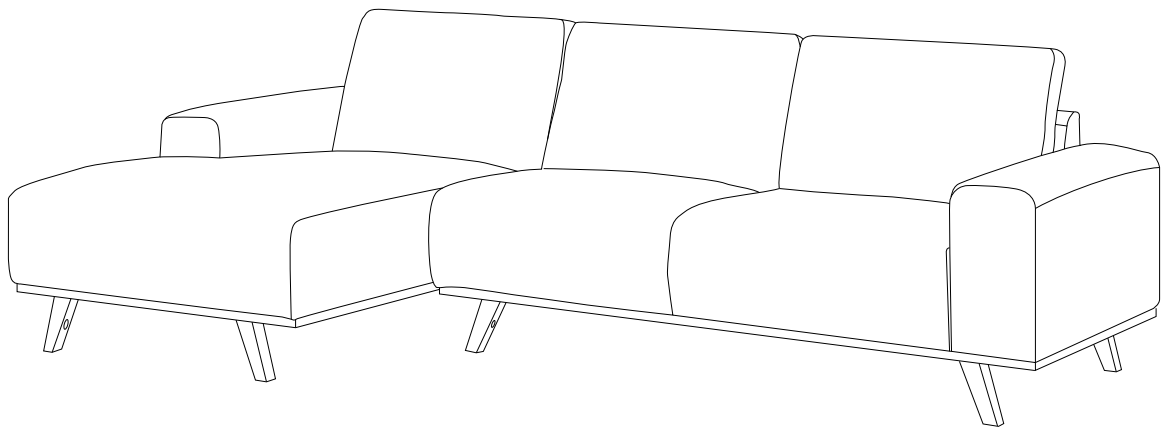
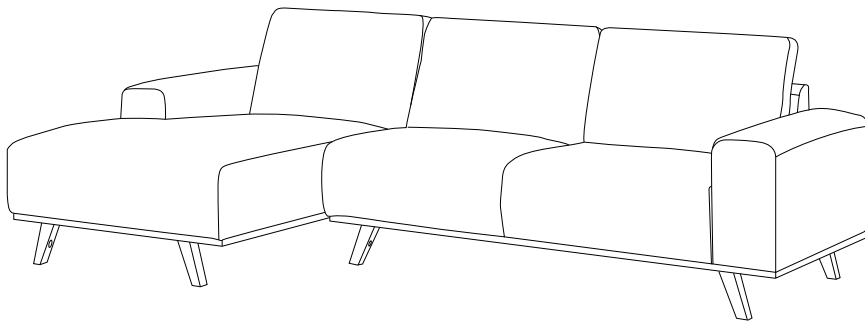
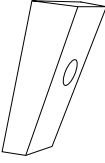
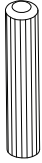
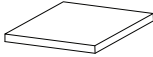
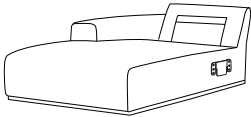


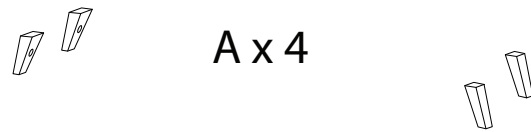
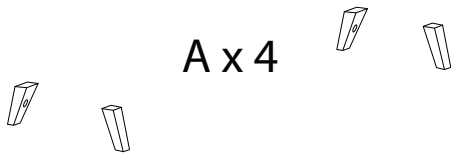
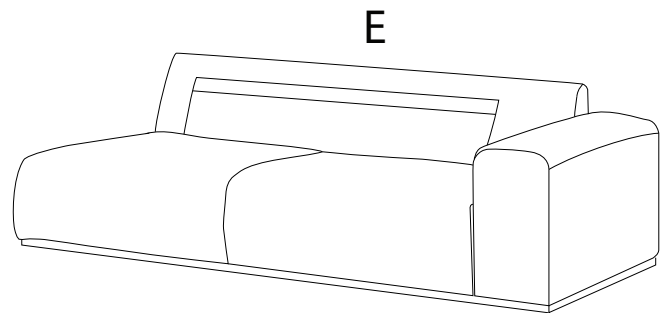
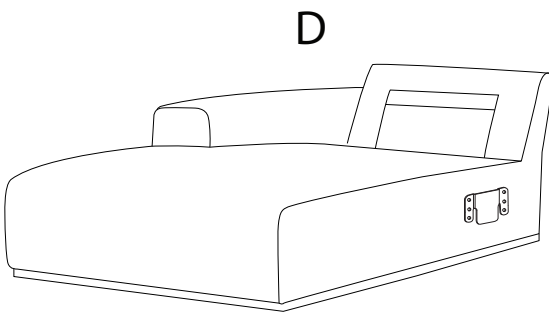
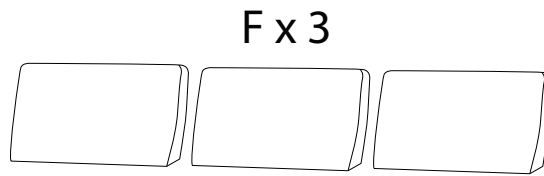
NORA

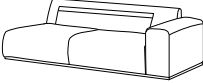

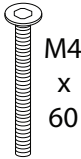
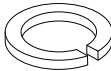
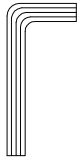




		20'
		2

<p>A</p>  <p>x 8</p>	<p>B</p>  <p>x 16</p>	<p>C</p>  <p>x 8</p>	<p>D</p>  <p>x 1</p>
---	--	--	---



<p>E</p>  <p>x 1</p>	<p>F</p>  <p>x 3</p>	<p>G</p>  <p>M4 x 60</p> <p>x 8</p>	<p>H</p>  <p>x 8</p>	<p>I</p>  <p>x 1</p>
---	---	--	---	---

1 x 8

A

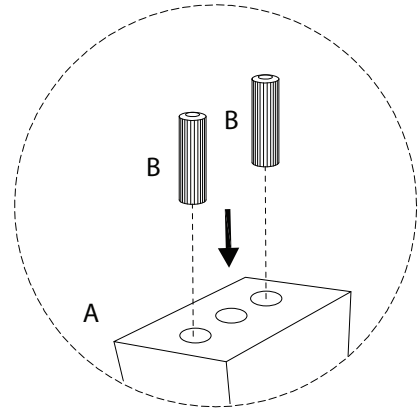
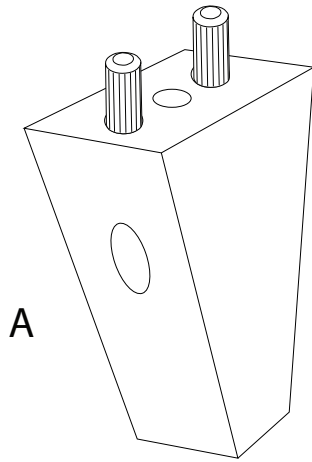


x 1

B

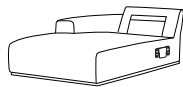


x 2



2

D



x 1

G



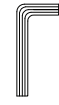
x 4

H

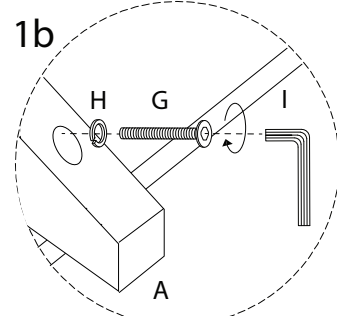
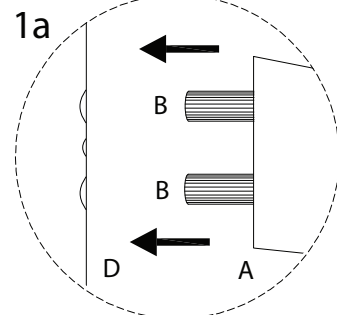
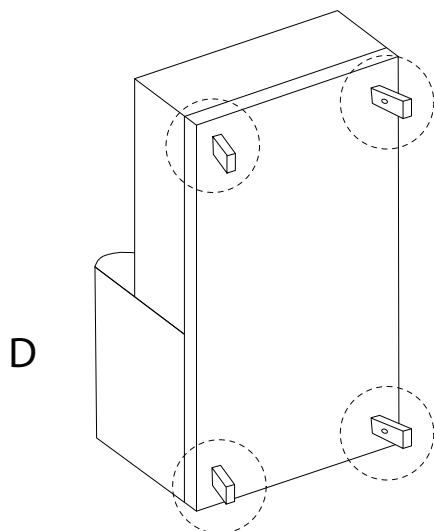


x 4

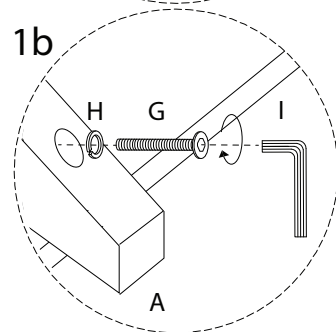
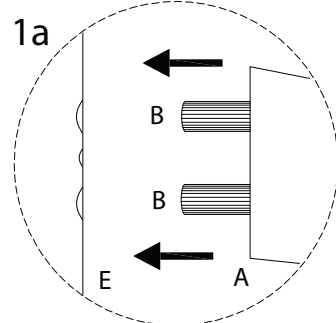
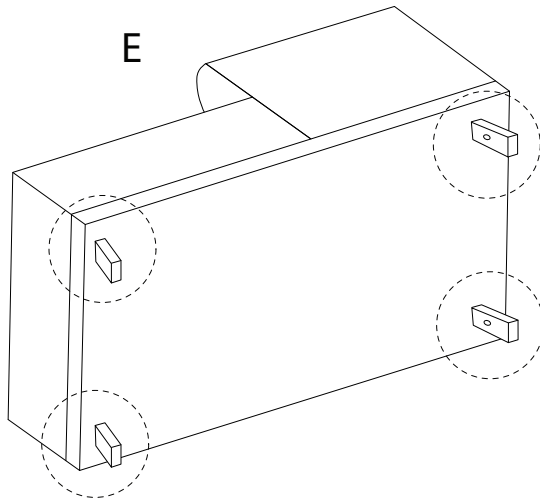
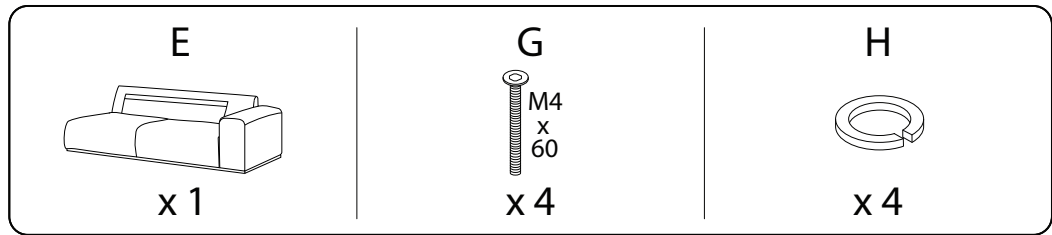
I



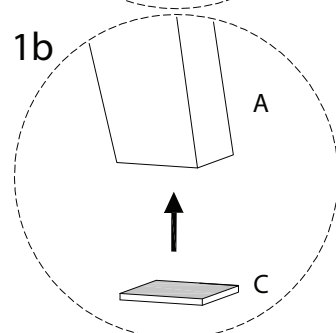
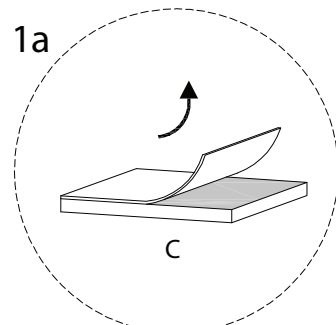
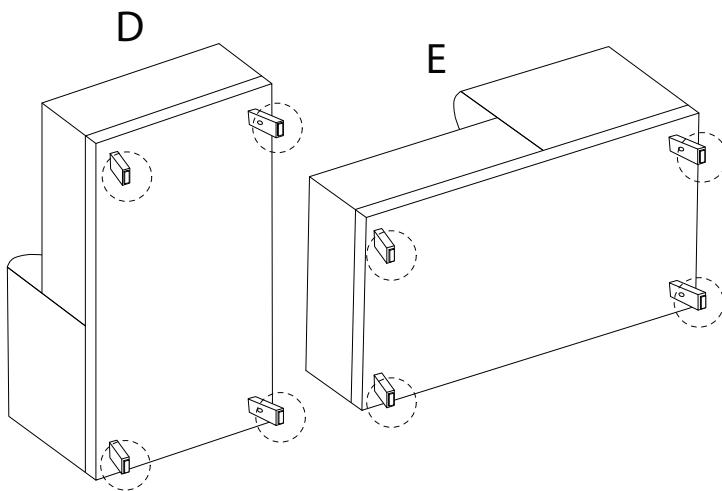
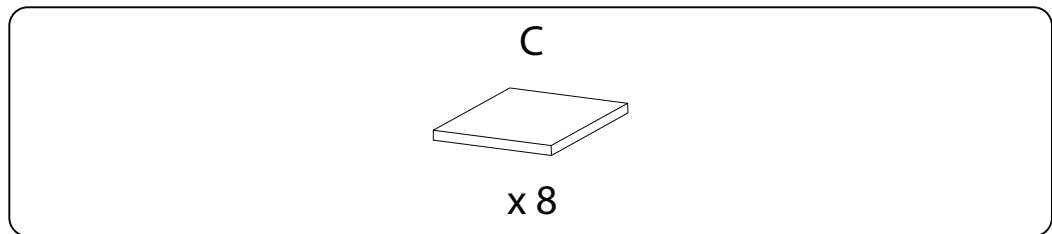
x 1



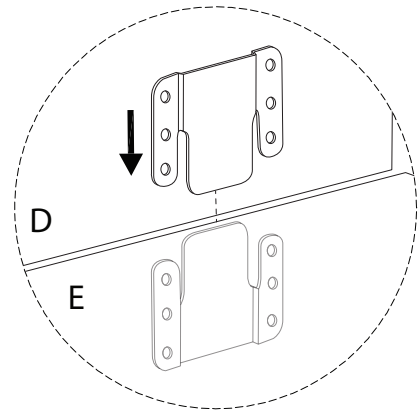
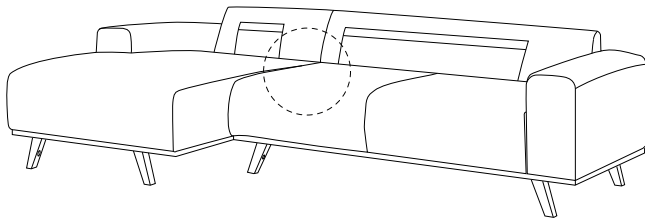
3



4



5



6

