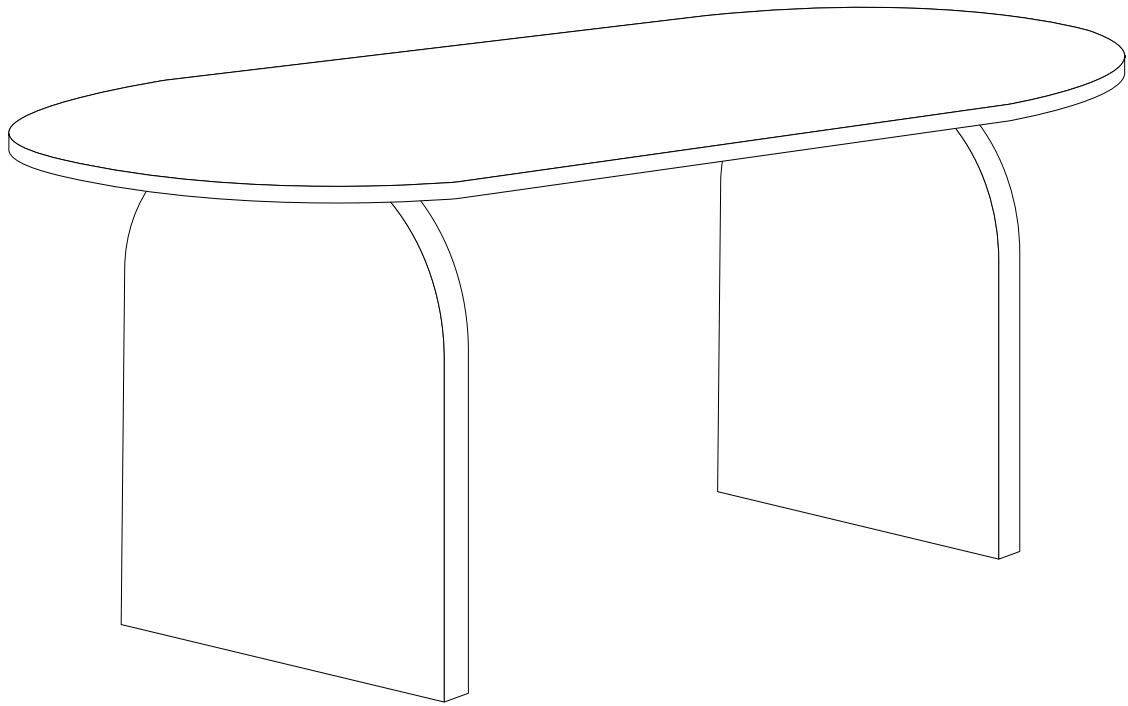
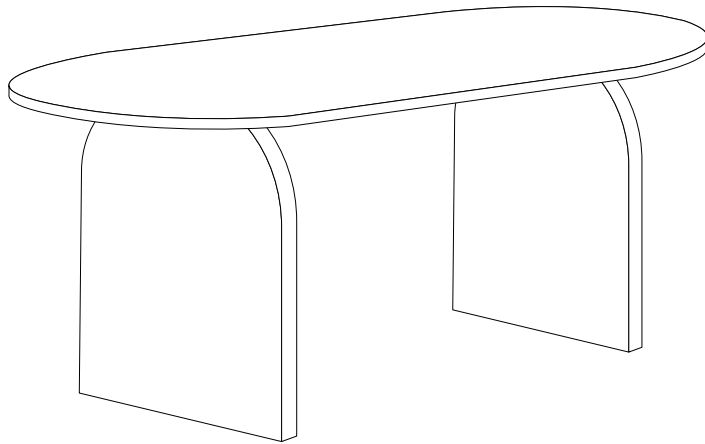


# SKYE






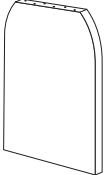
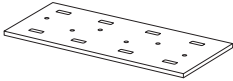
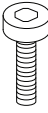
Assembly instructions for the table, including tool requirements, time, and personnel.

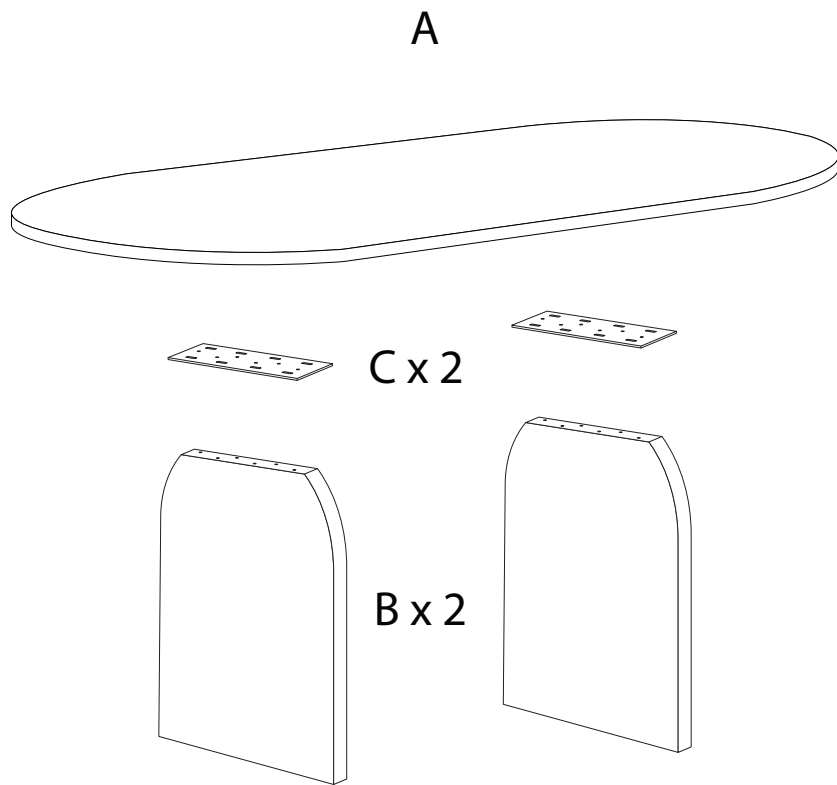
**Tools:** A circular icon contains a screwdriver and an L-shaped hex key. A power drill is shown with a diagonal line through it, indicating it is not required.

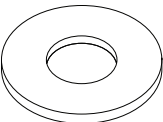


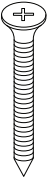
**Time:** A clock icon is shown with the number **60'** below it, indicating a 60-minute assembly time.

**Personnel:** A stick figure icon is shown with the number **2** below it, indicating that two people are required for assembly.

**Warnings:** Two triangular warning icons with exclamation marks are present. The top one is connected to the tool requirements, and the bottom one is connected to the personnel requirement.

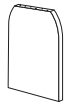
<b>A</b>	<b>B</b>	<b>C</b>	<b>D</b>
			
<b>x 1</b>	<b>x 2</b>	<b>x 2</b>	<b>x 16</b>



<b>E</b>	<b>F</b>	<b>G</b>	<b>H</b>
			
<b>x 16</b>	<b>x 1</b>	<b>x 1</b>	<b>x 12</b>

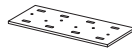
1

B



x 2

C



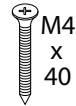
x 2

G

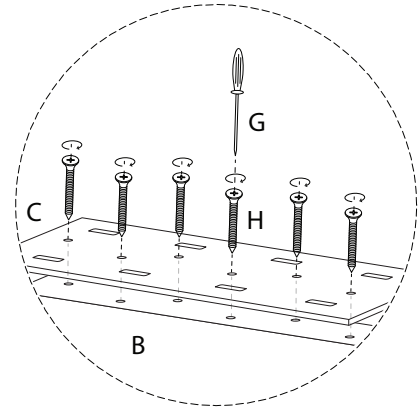
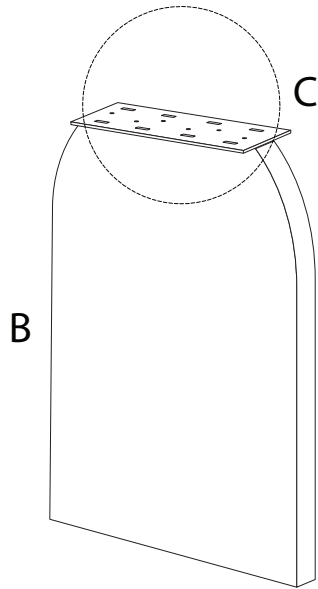


x 1

H



x 12



2

A



x 1

D



x 16

E



x 16

F



x 1

