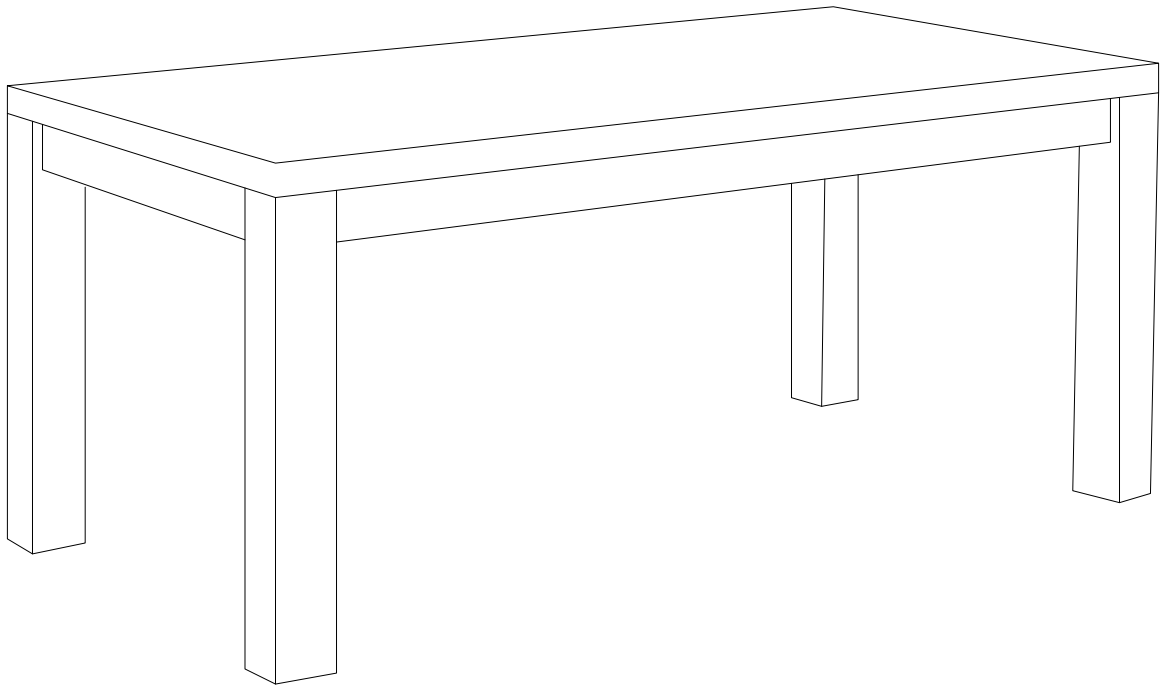


TESA



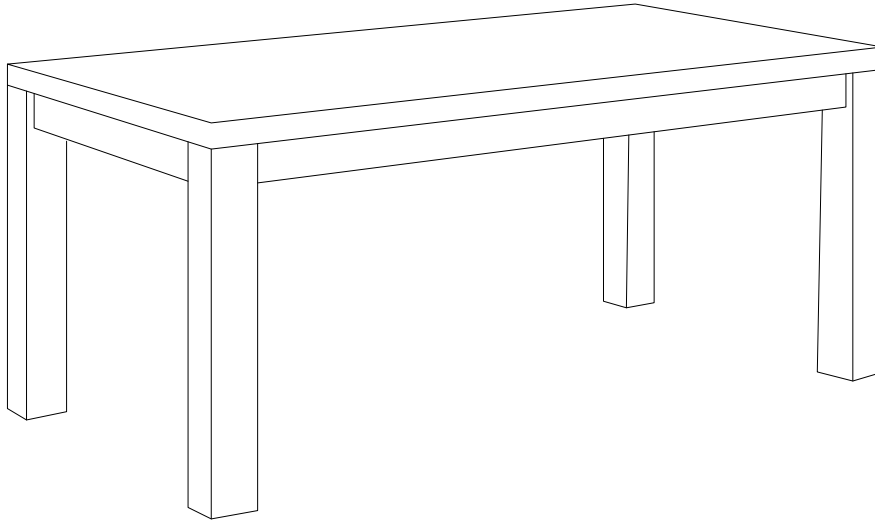
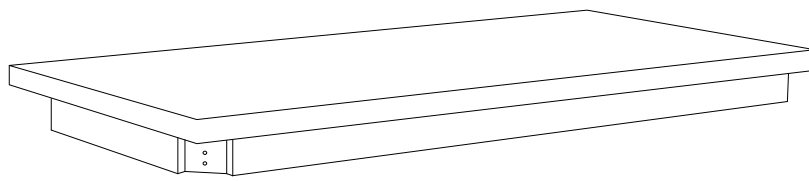
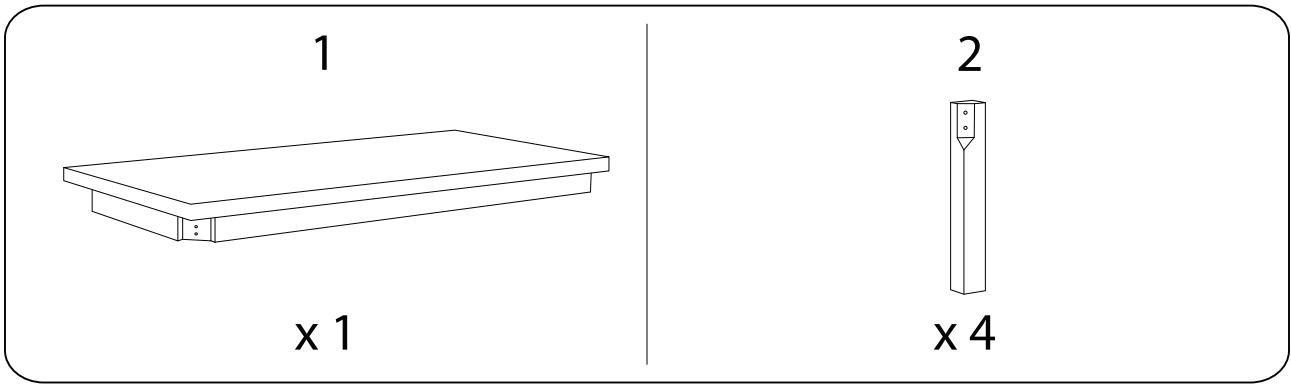
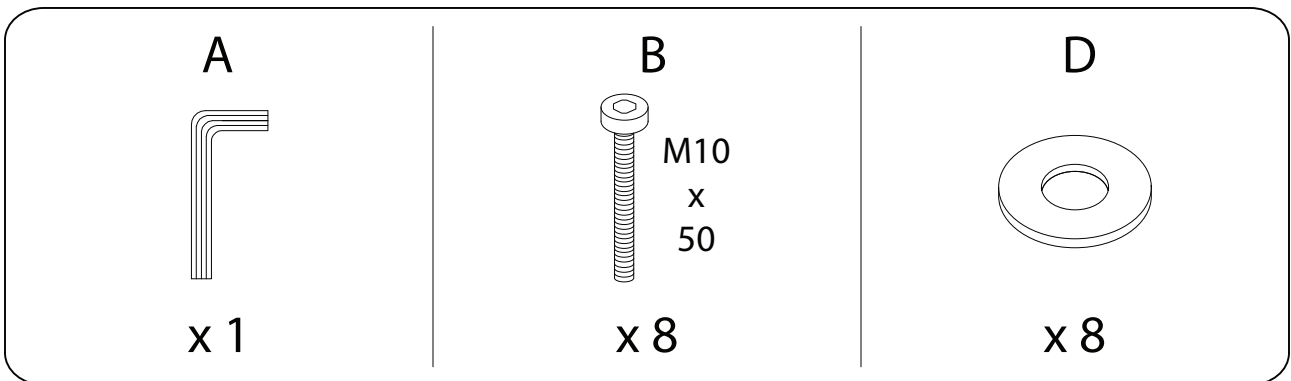
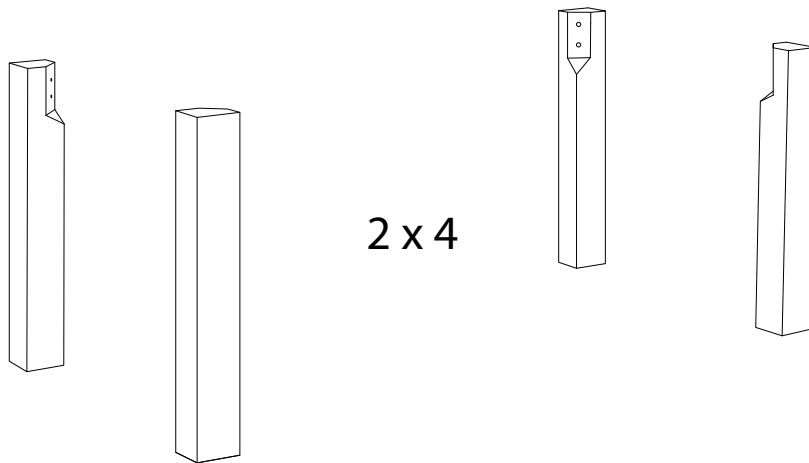


Diagram illustrating assembly instructions and safety warnings:


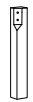

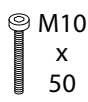
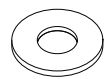
- Top Section:** Shows an L-shaped bracket (circled) and a power drill with a slash through it, indicating that a power drill should not be used. A warning triangle with an exclamation mark is positioned to the right.
- Bottom Section:** Shows a rectangular block being placed on a surface (circled) and a diagram of a block with a slash through it, indicating that the block should not be placed on a soft surface. A warning triangle with an exclamation mark is positioned to the right.
- Timing:** A clock icon is shown with the text "60'" below it, indicating a 60-minute assembly time.
- Personnel:** A person icon is shown with the text "2" below it, indicating that two people are required for assembly.



1



1

<p>1</p>  <p>x 1</p>	<p>2</p>  <p>x 4</p>	<p>A</p>  <p>x 1</p>	<p>B</p>  <p>M10 x 50</p> <p>x 8</p>	<p>D</p>  <p>x 8</p>
---	---	---	---	---

