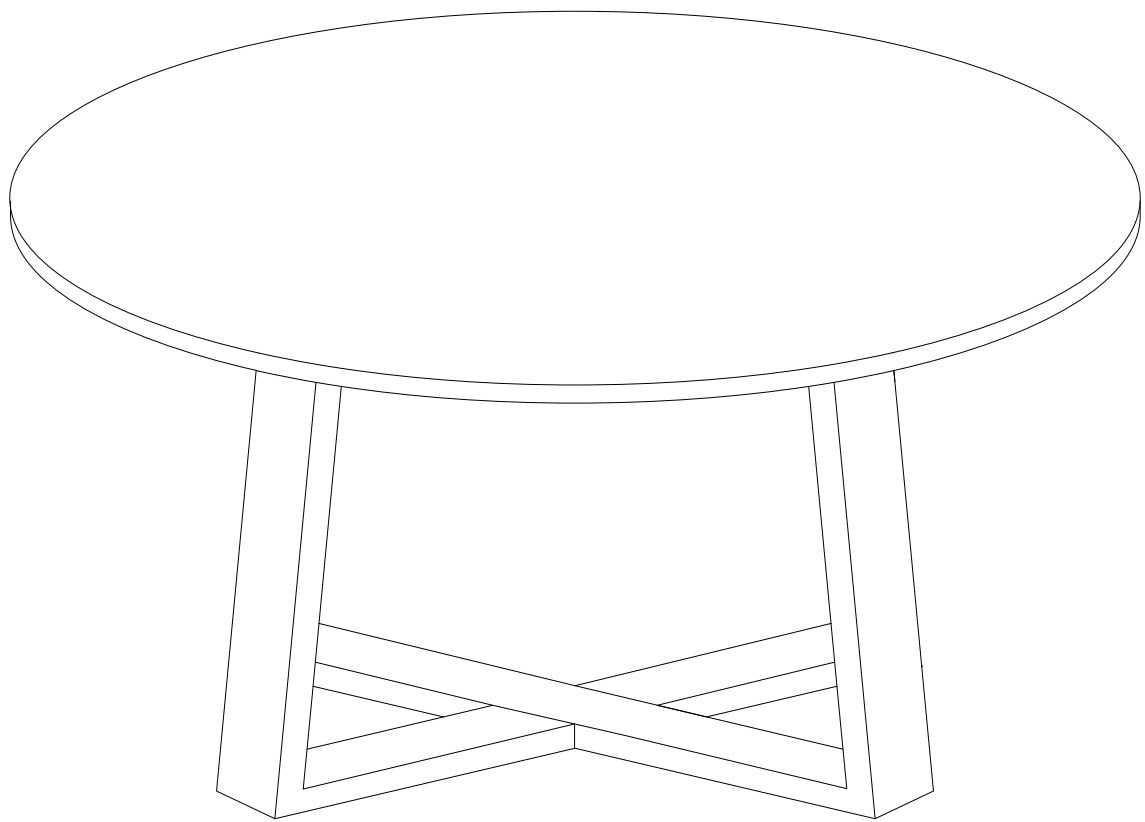


LEXINGTON



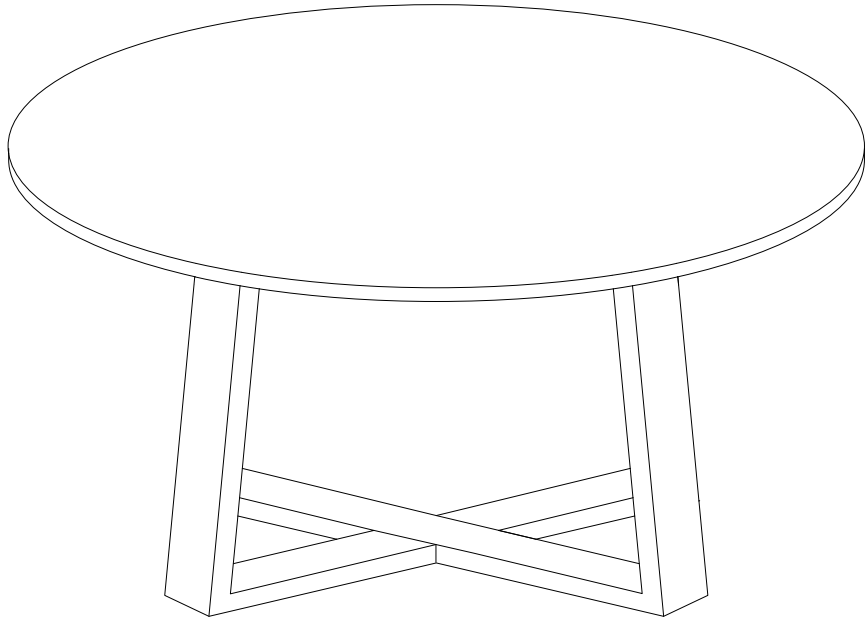
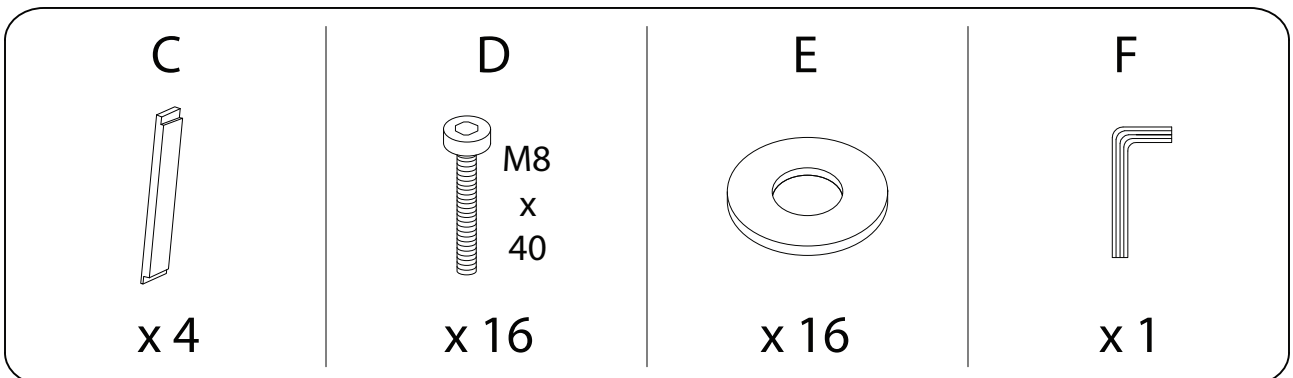
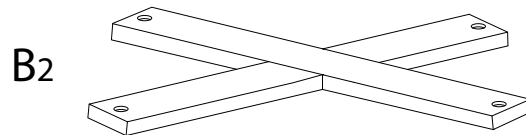
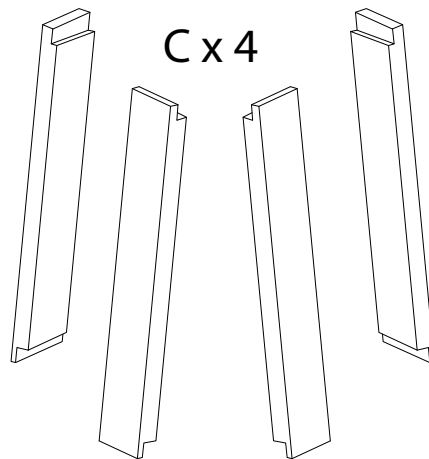
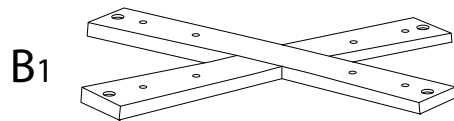
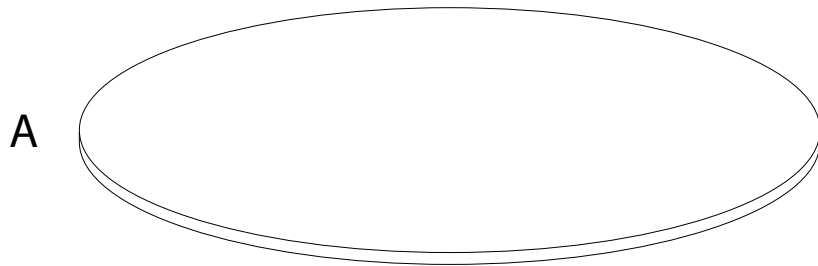
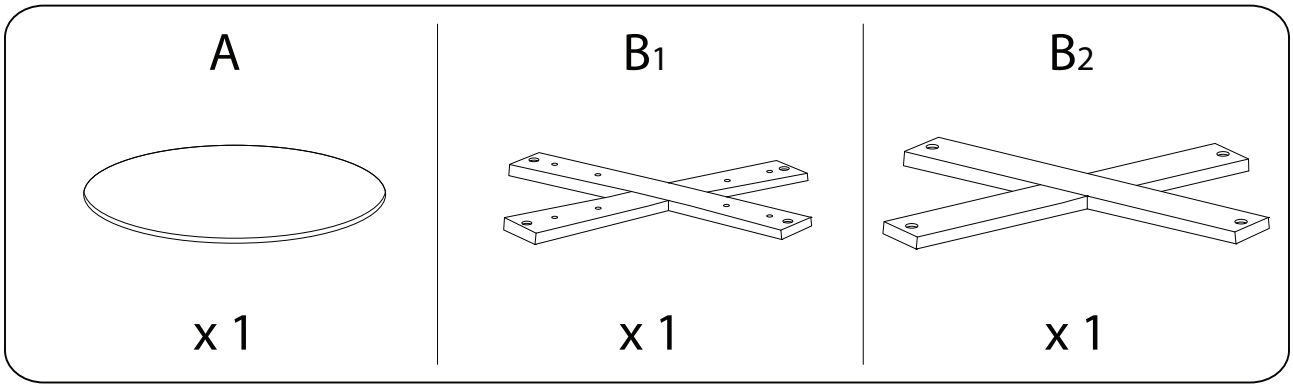
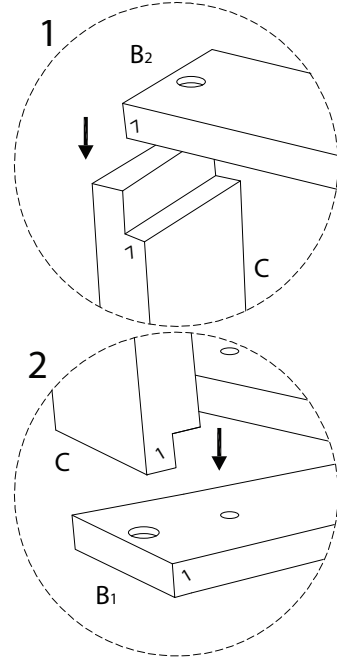
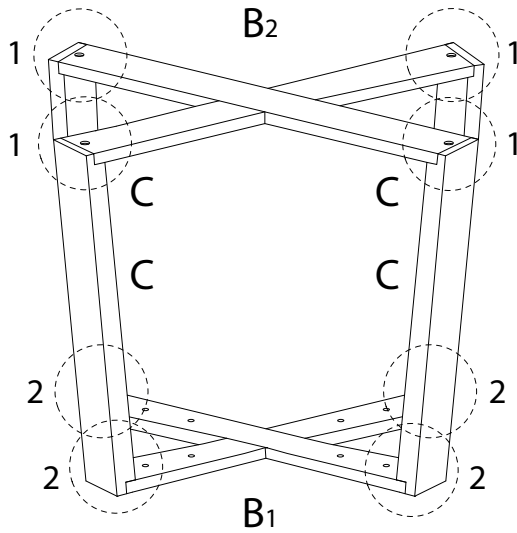
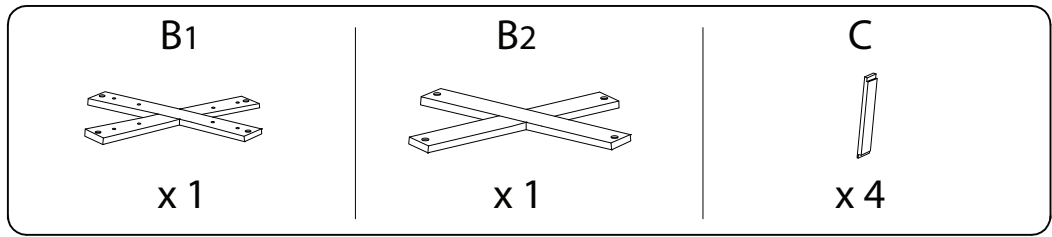


Diagram illustrating assembly steps and safety warnings:

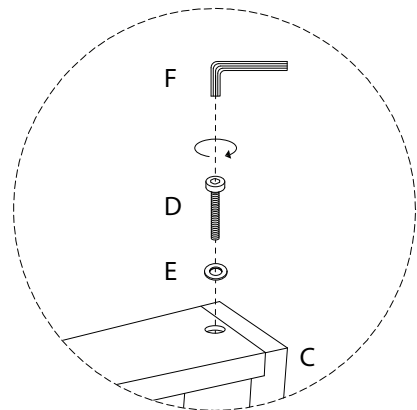
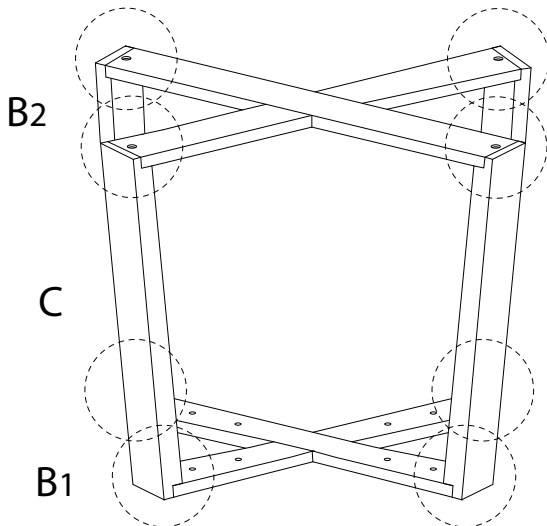
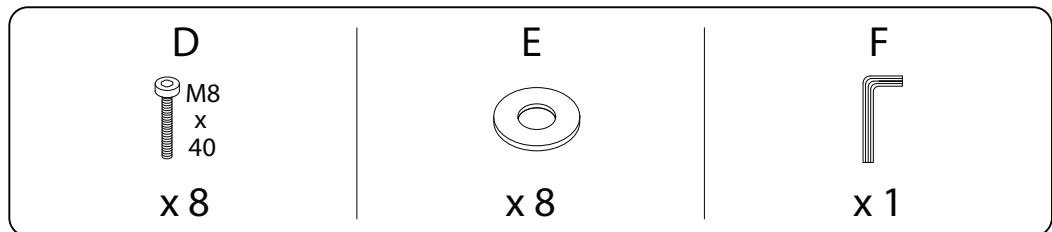
- Step 1:** Shows an L-shaped metal bracket and a power drill with a slash through it, indicating that a power drill should not be used. A warning triangle with an exclamation mark is positioned to the right.
- Step 2:** Shows a rectangular block being placed on a surface and another block being attached to its side. A warning triangle with an exclamation mark is positioned to the right.
- Time:** A clock icon is shown with the text "60'" below it, indicating a 60-minute assembly time.
- Personnel:** A person icon is shown with the text "2" below it, indicating that two people are required for assembly.






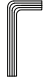
1



2



3

<p>A</p>  <p>x 1</p>	<p>D</p>  <p>x 8</p>	<p>E</p>  <p>x 8</p>	<p>F</p>  <p>x 1</p>
---	---	--	---

