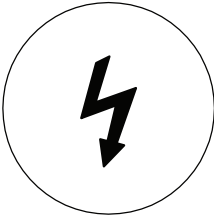

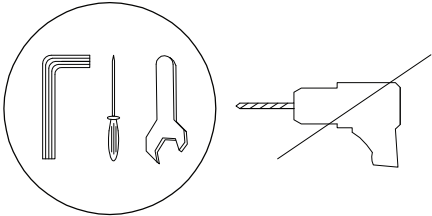

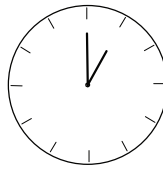
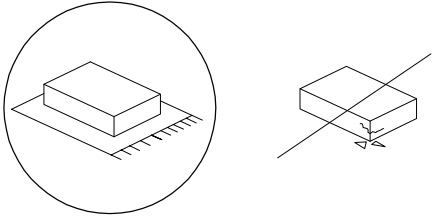


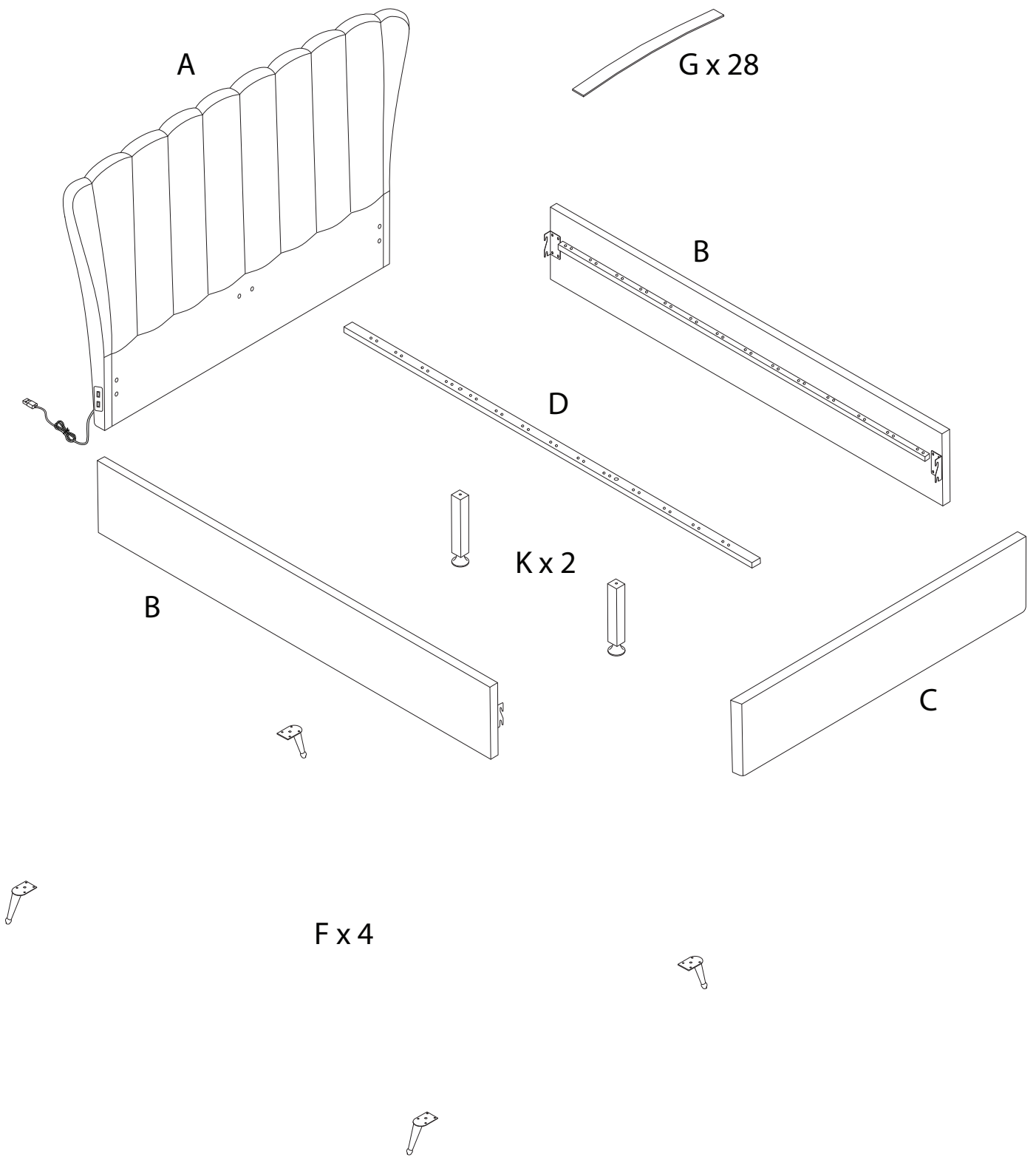


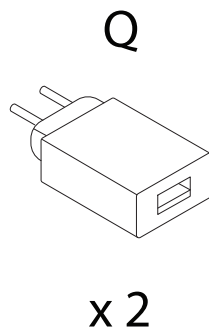
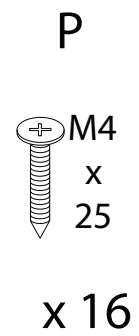
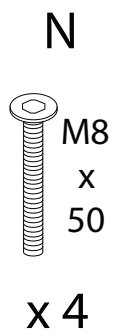
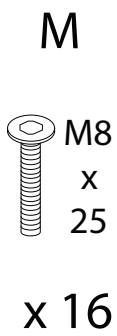
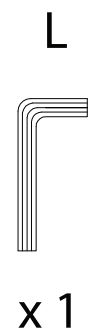
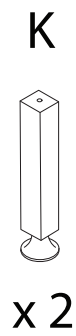
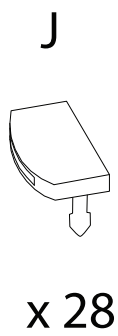
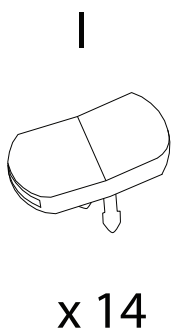
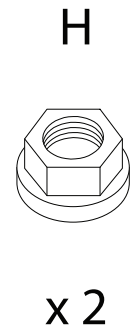
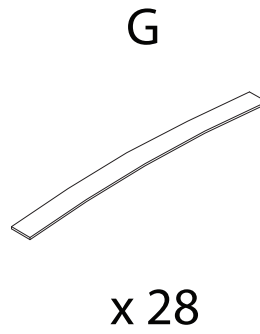
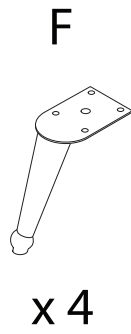
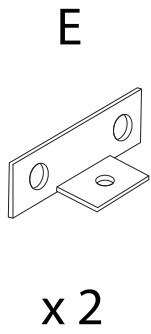
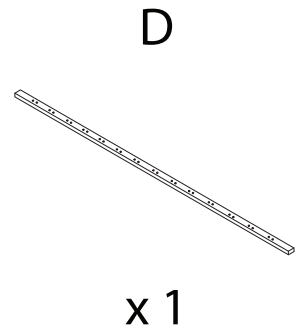
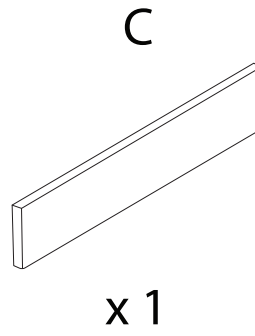
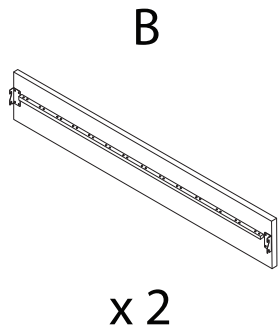
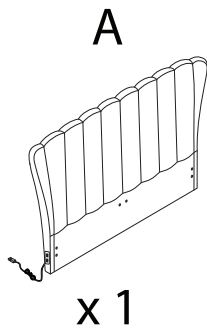
MIRIBEL



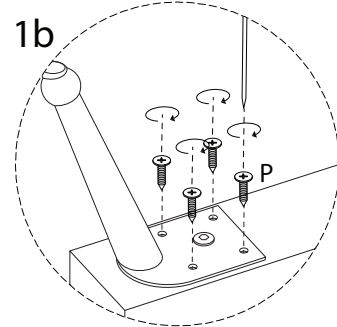
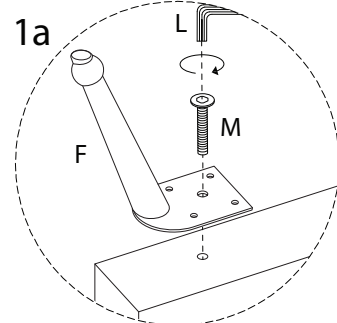
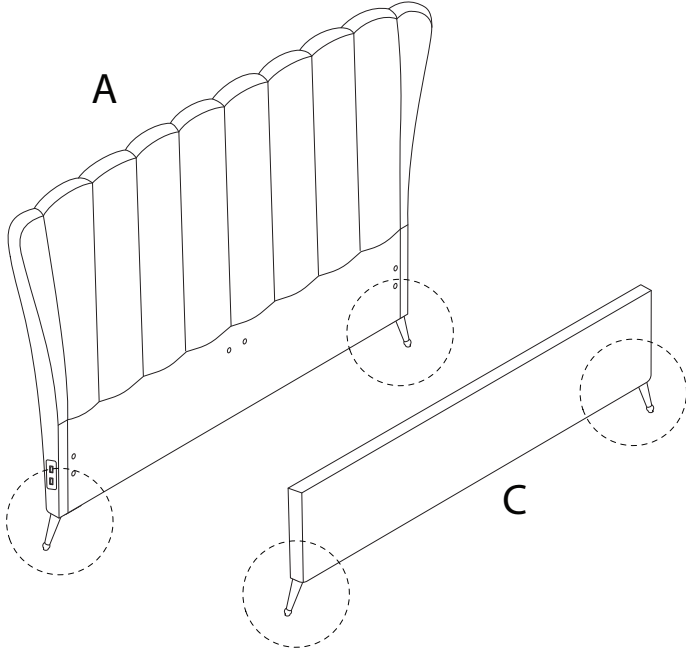
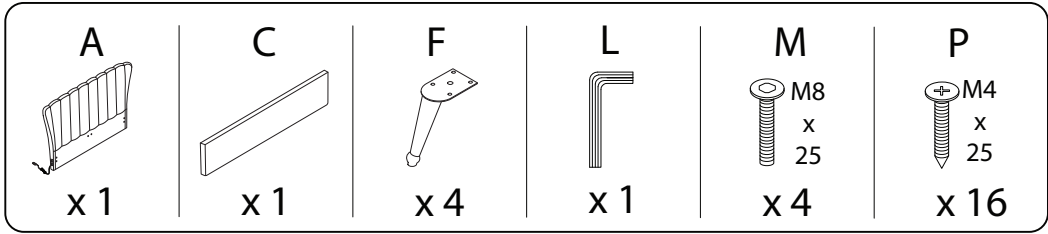


		
		
		<p>60'</p>
		
		<p>2</p>

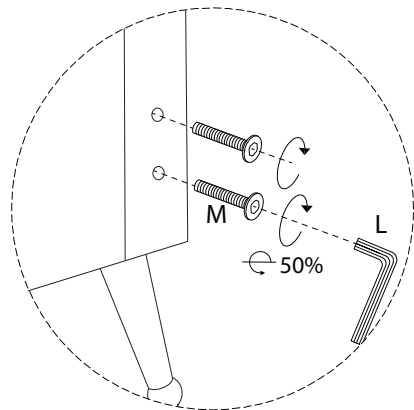
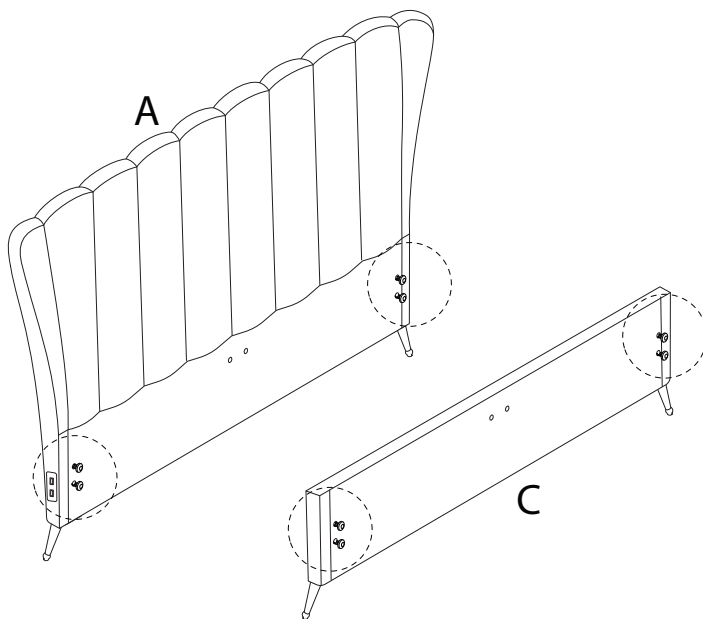
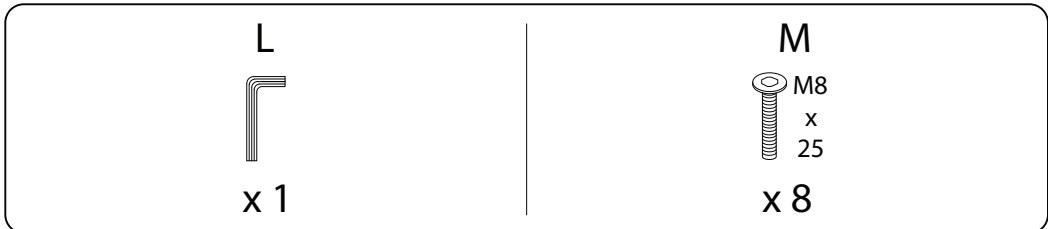




1

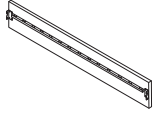


2



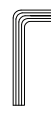
3

B

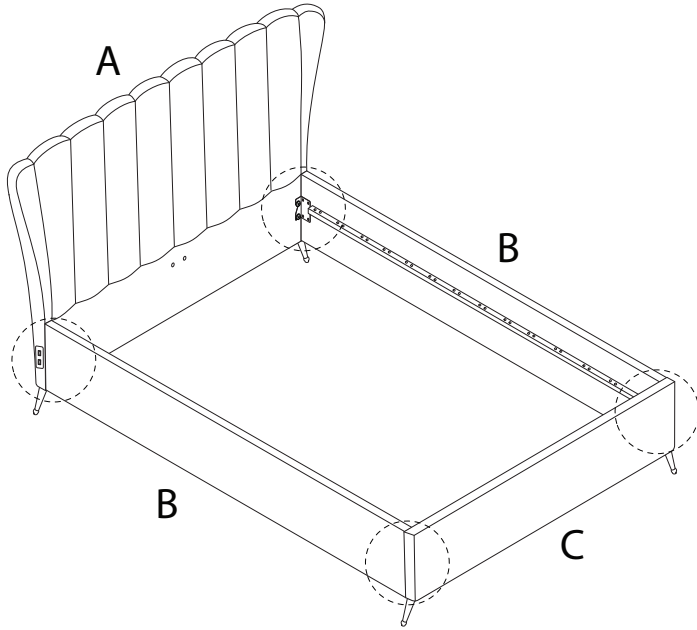


x 2

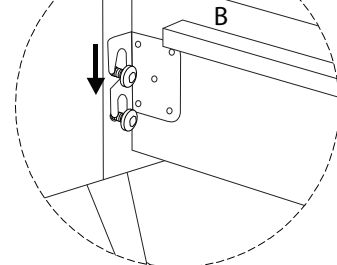
L



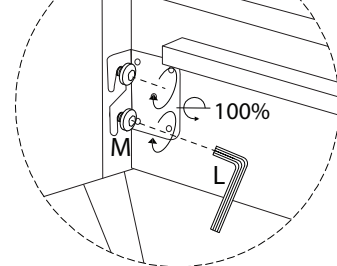
x 1



1a

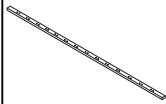


1b



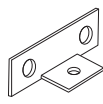
4

D



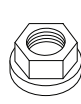
x 1

E



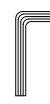
x 2

H



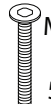
x 2

L



x 1

N

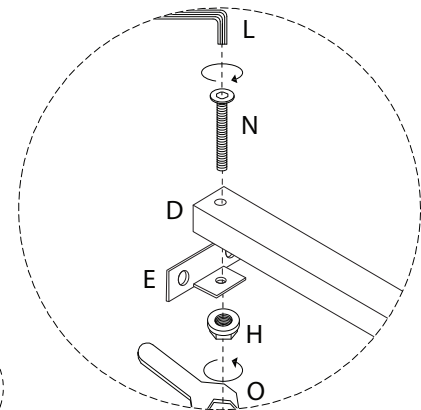
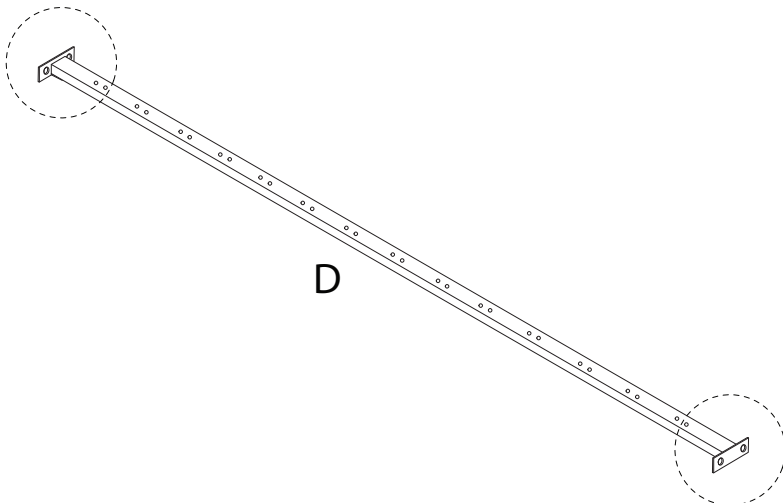


x 2

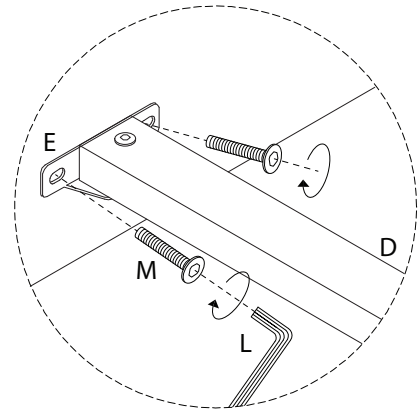
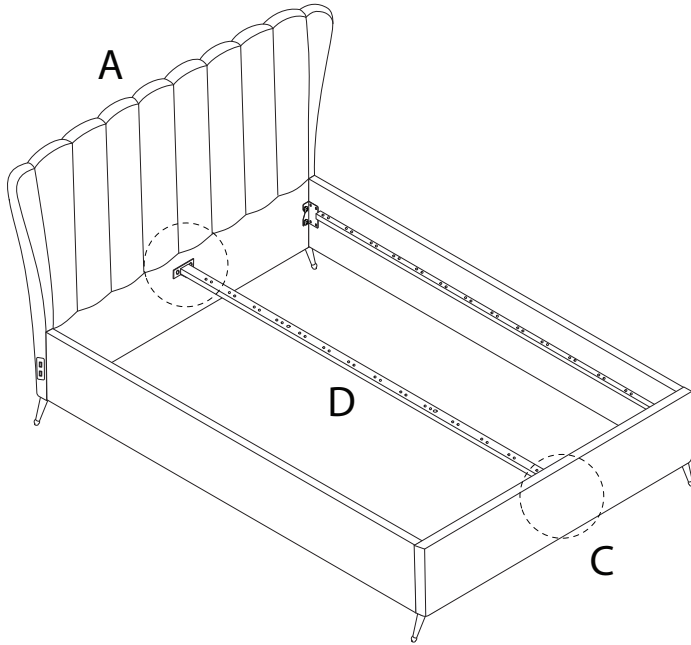
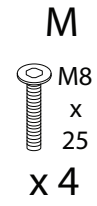
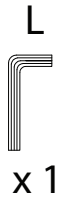
O



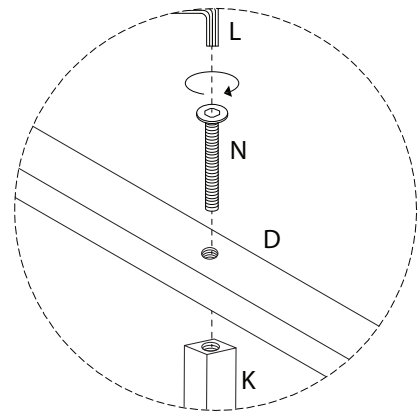
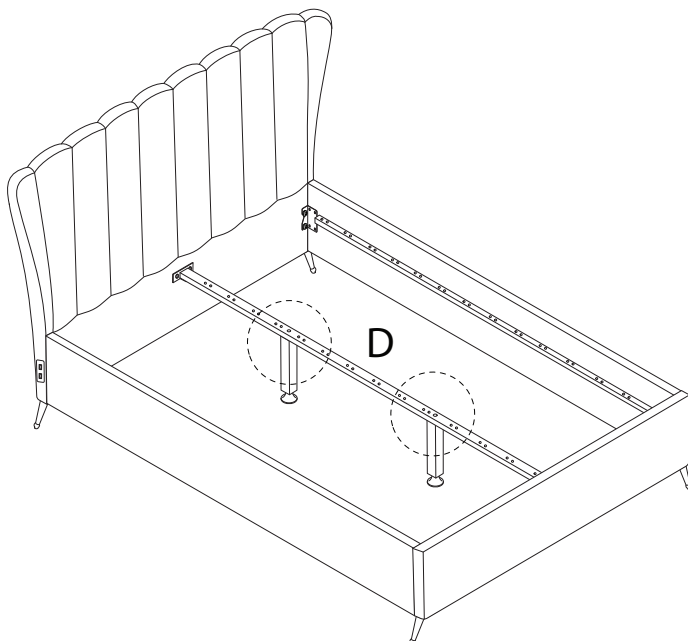
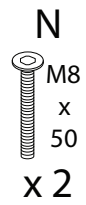
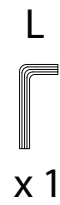
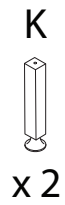
x 1



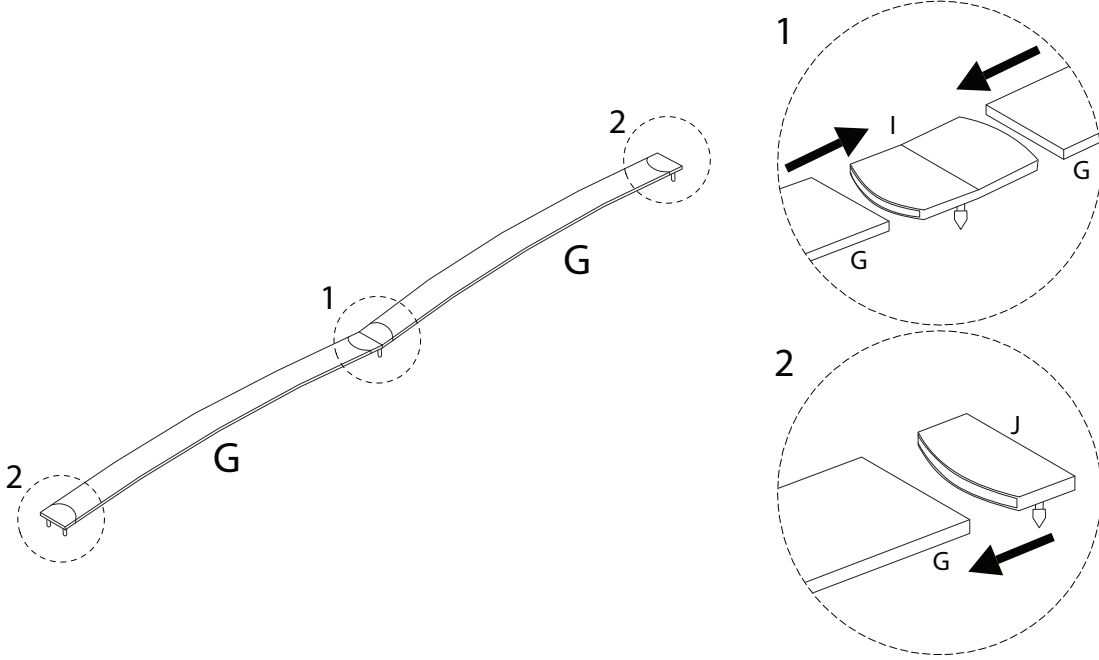
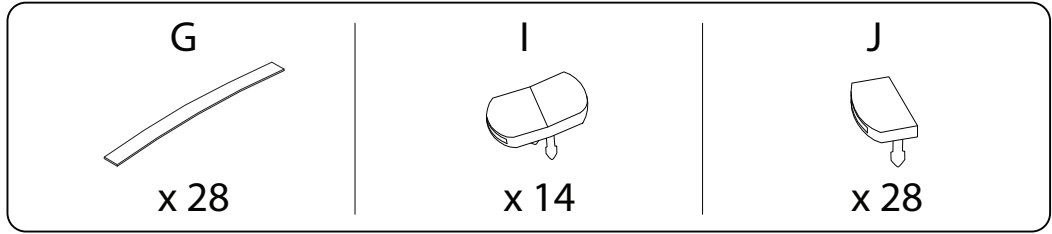
5



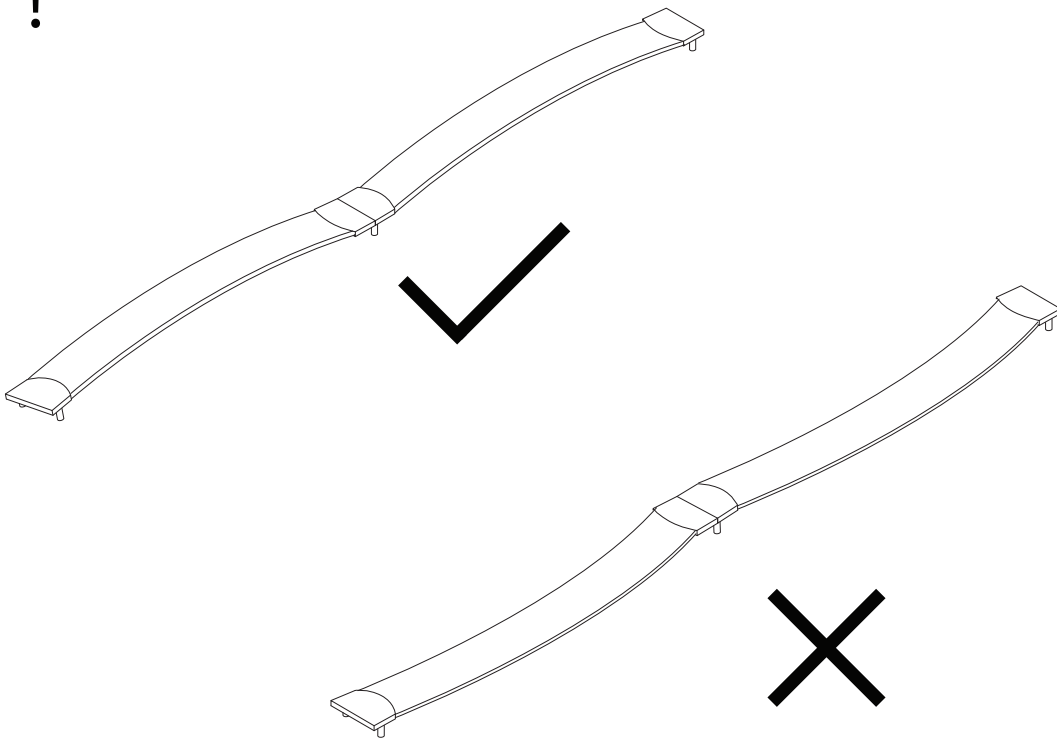
6



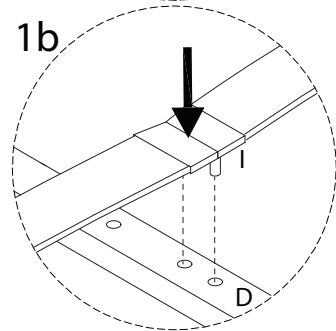
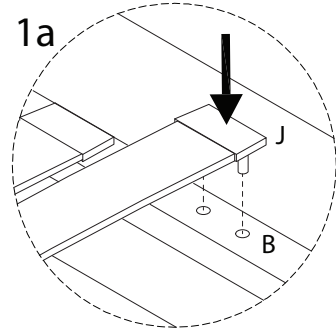
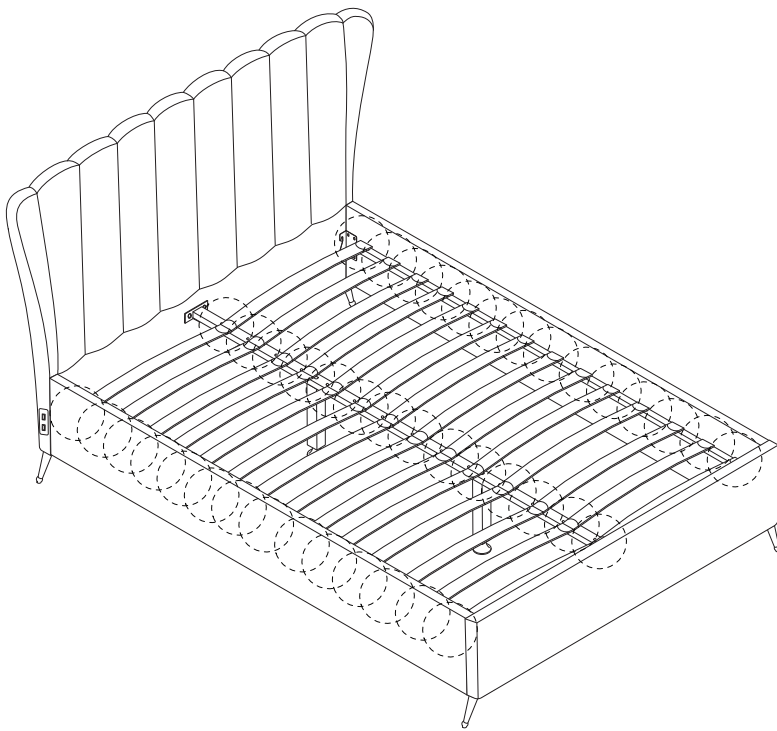
7



!

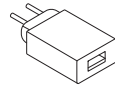


8t

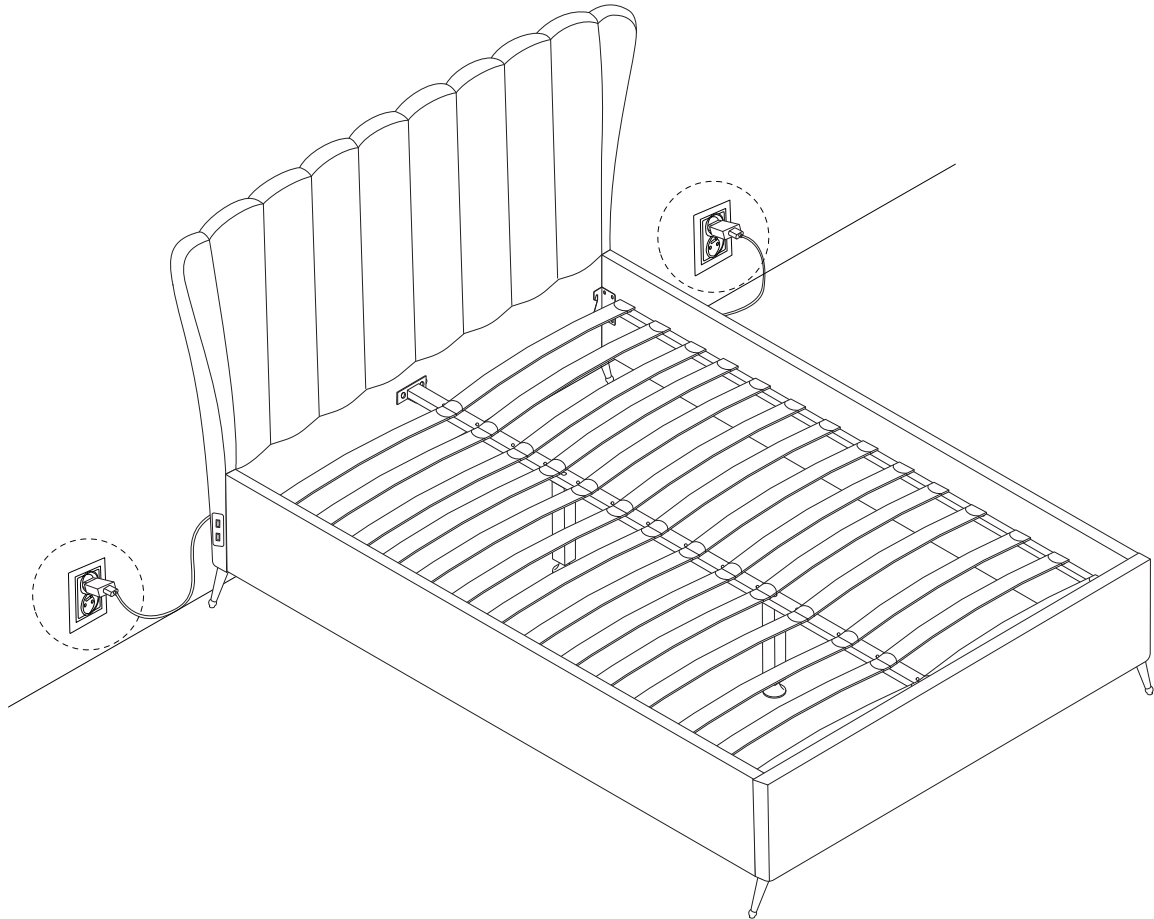


9

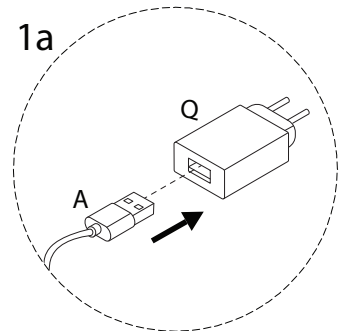
Q



x 2



1a



1b

