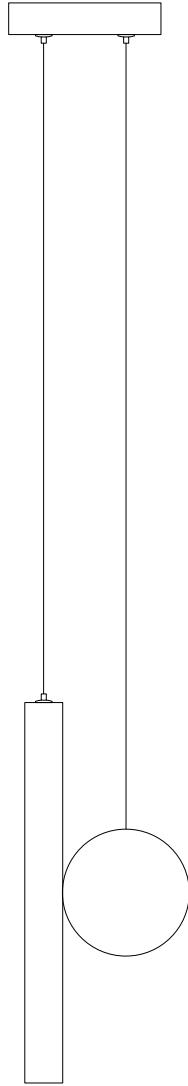
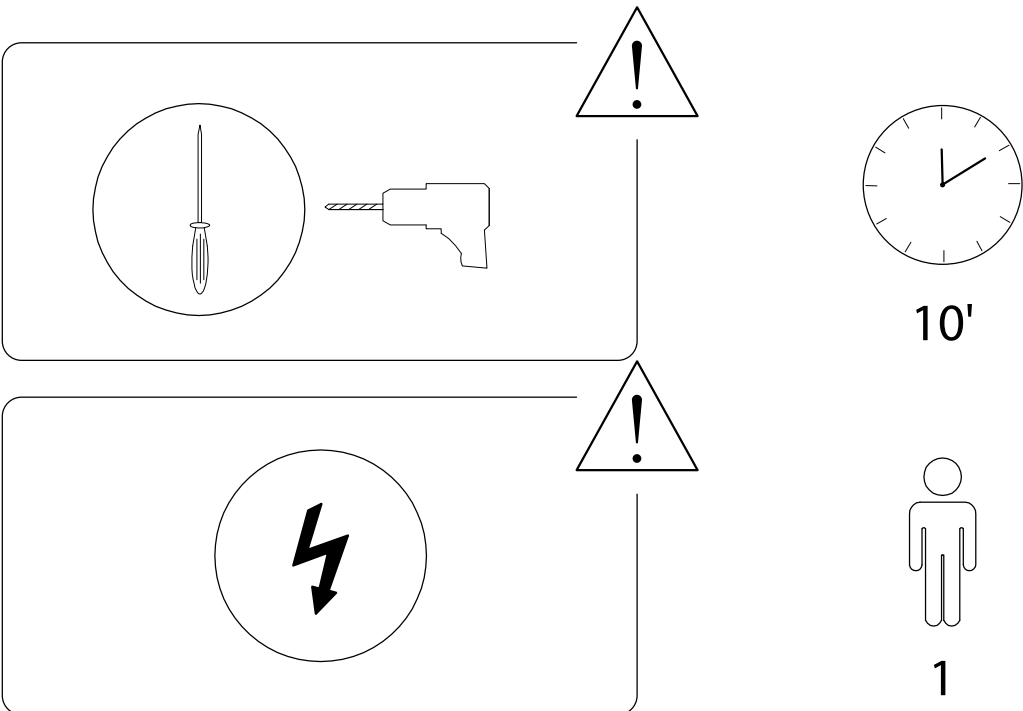
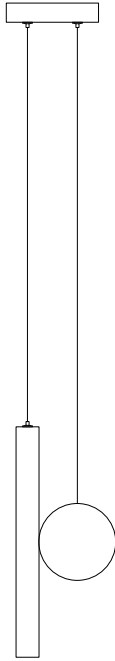
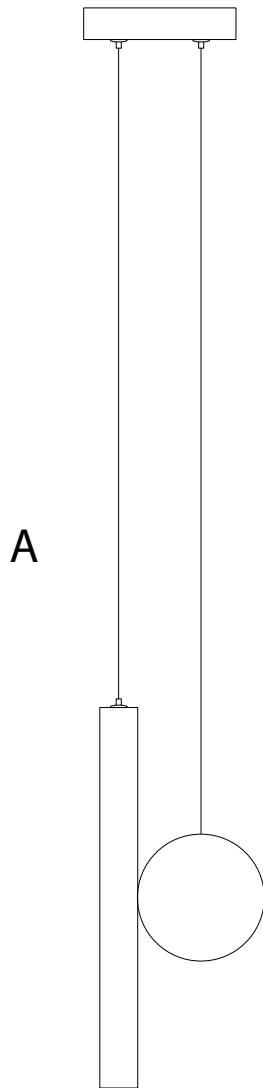


DAMAS





1/4

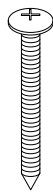


A



x 1

B



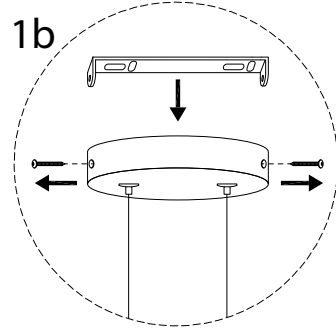
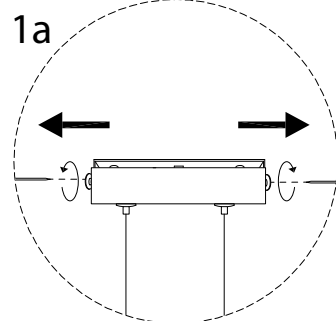
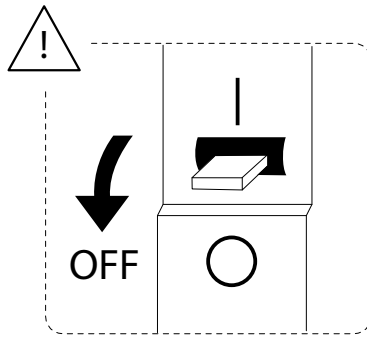
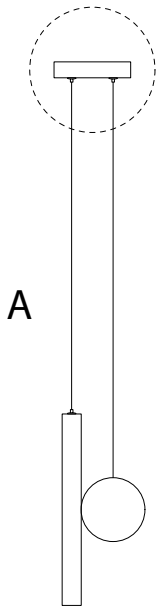
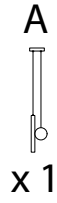
x 2

C

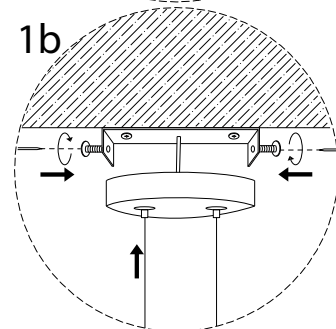
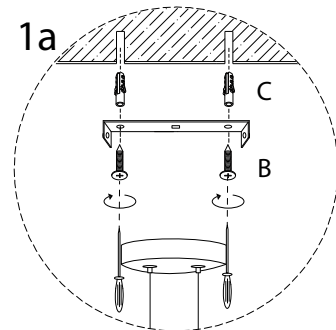
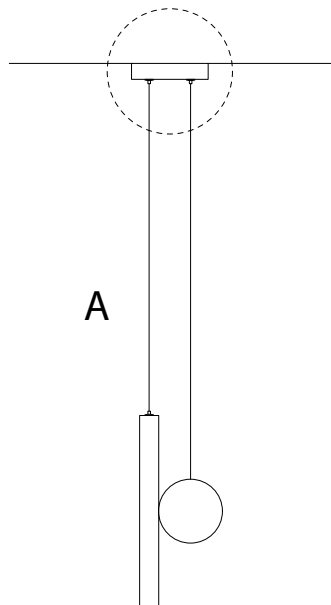
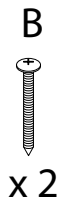


x 2

1



2



!

