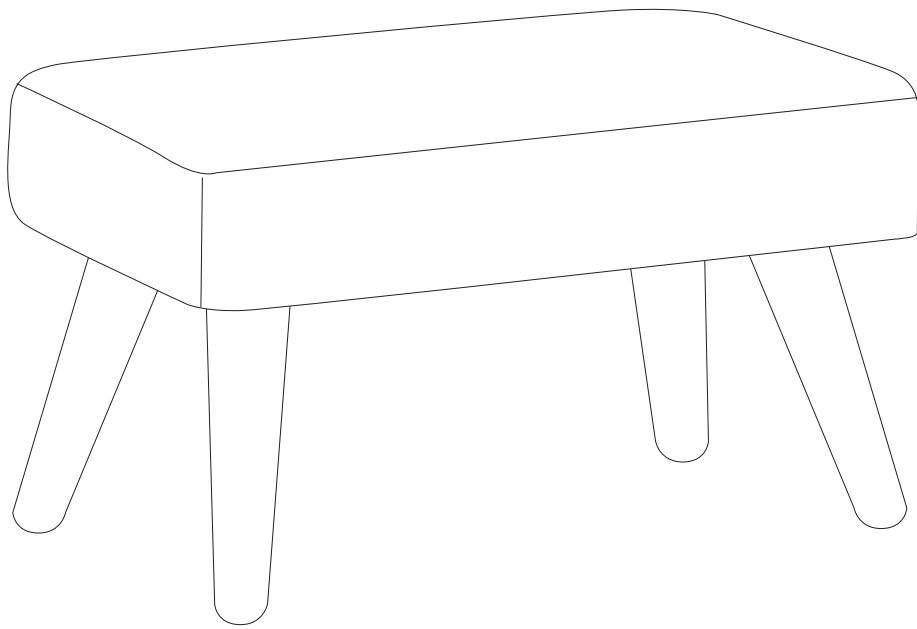


# TAKOMA



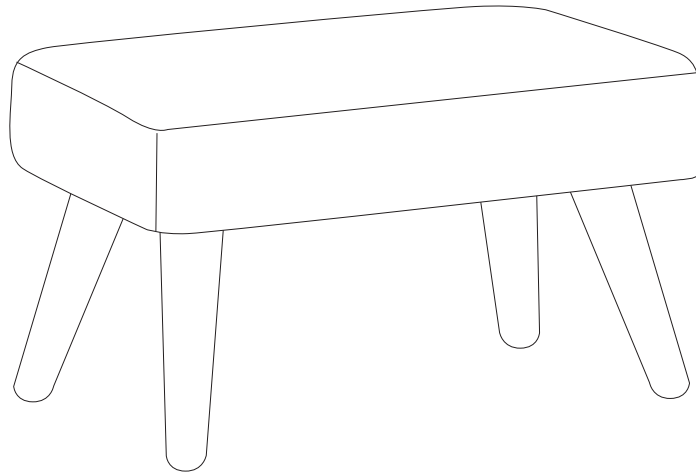


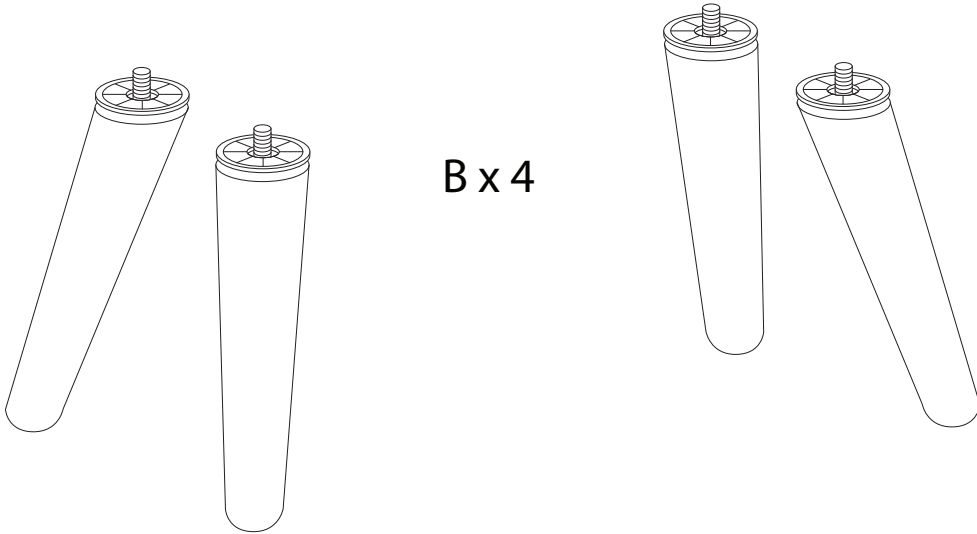
Diagram illustrating assembly instructions and safety warnings:

- Top Warning:** A crossed-out power drill icon indicates that a power drill should not be used for assembly. To the right is a warning triangle with an exclamation mark.
- Time:** A clock icon indicates an estimated assembly time of 5 minutes.
- Bottom Warning:** Two diagrams show the correct and incorrect placement of the ottoman on a carpet. The left diagram shows the ottoman on a carpet with a warning triangle. The right diagram shows the ottoman on a carpet with a crossed-out warning triangle, indicating that it should not be placed on a carpet.
- Person Icon:** A person icon indicates that 1 person is required for assembly.

A



B x 4



A



x 1

B



x 4

1

A

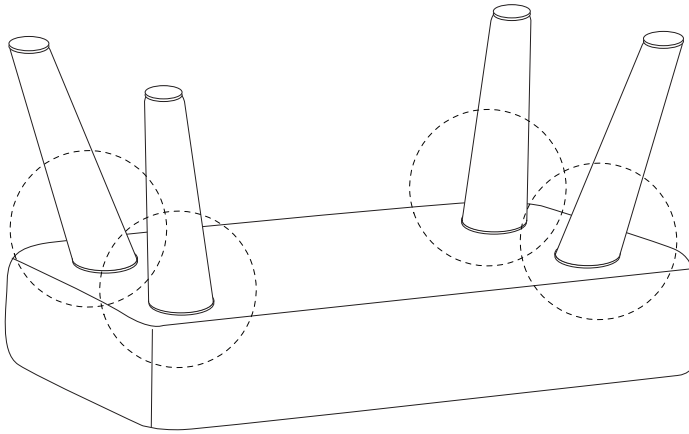


x 1

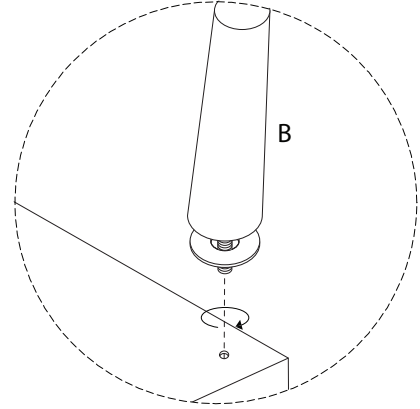
B



x 4



A



B