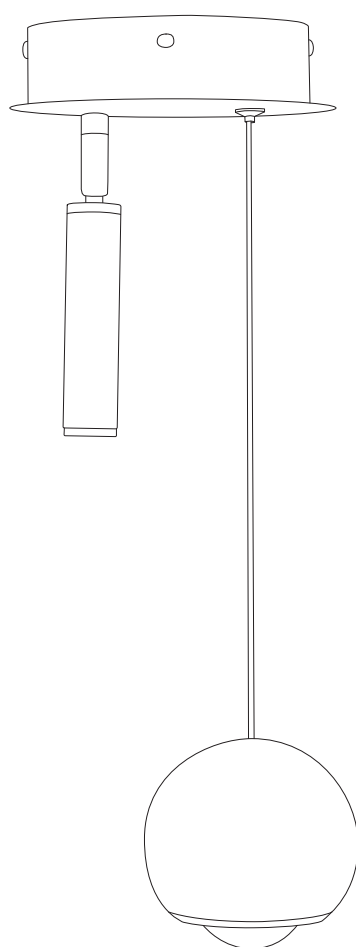
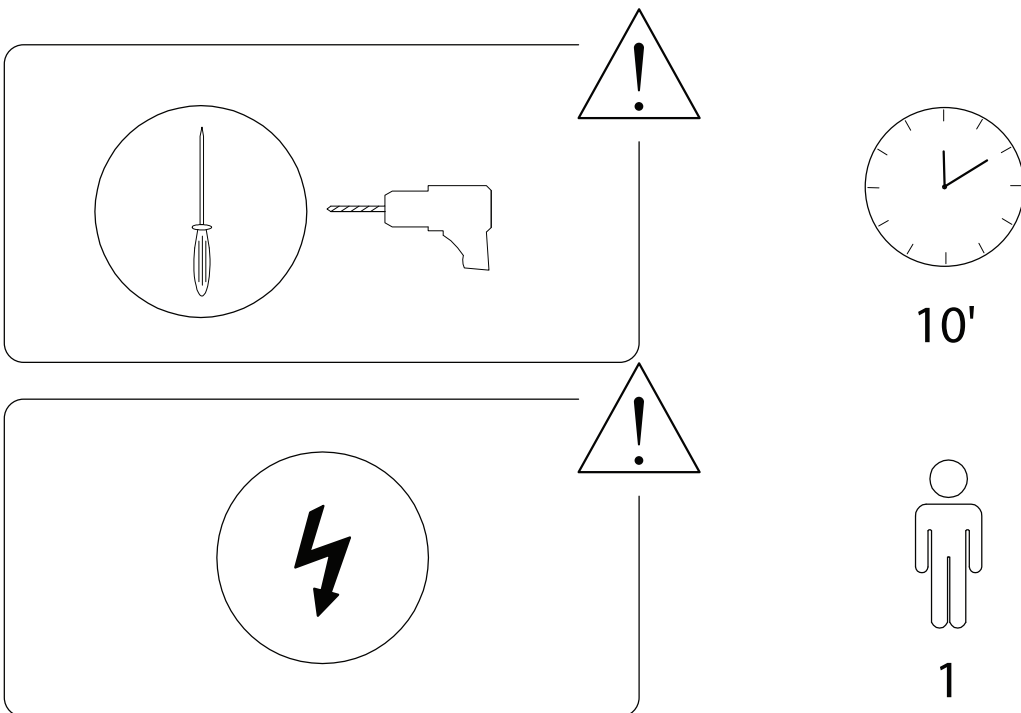
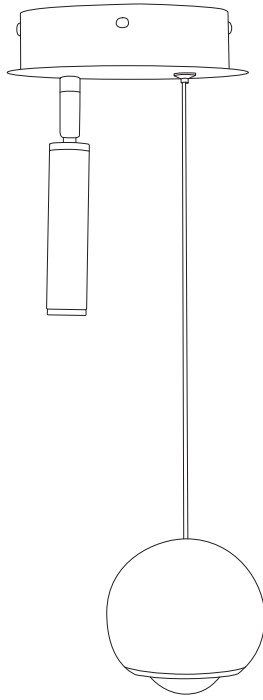
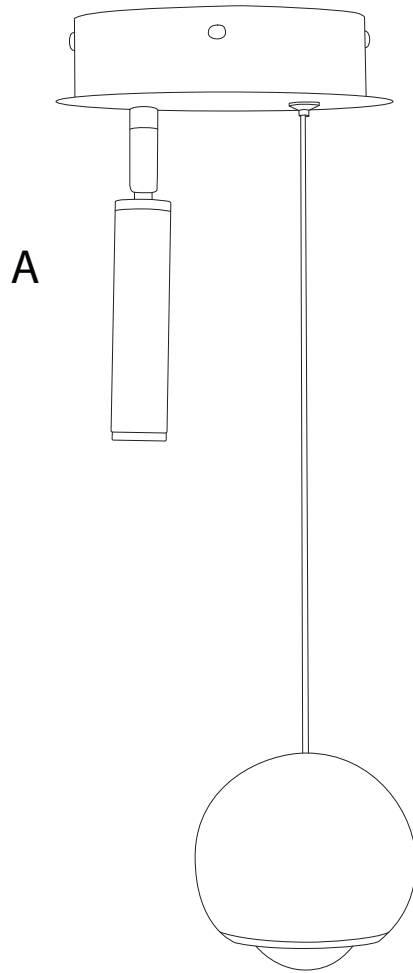
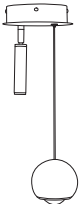
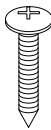
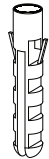


# MABOLE



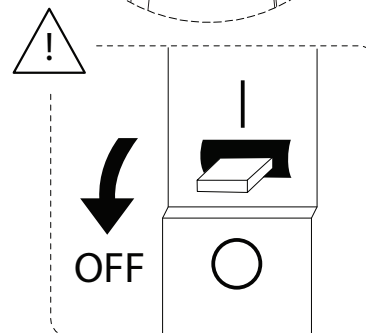
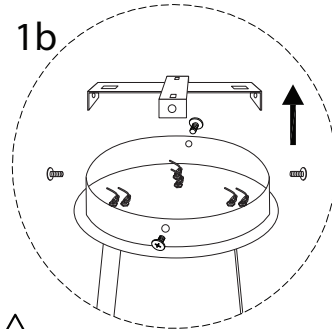
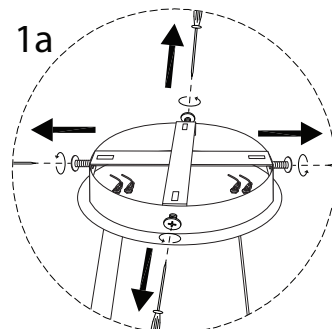
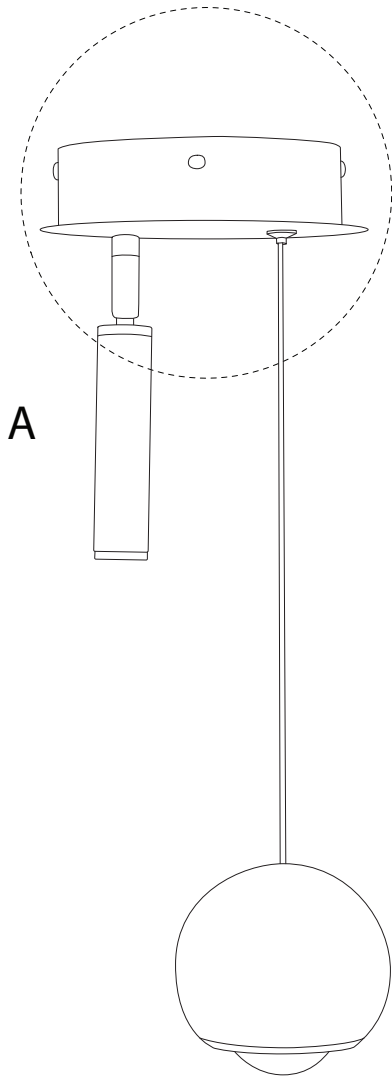




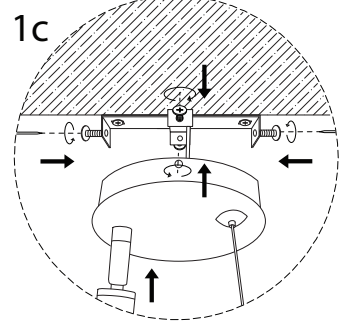
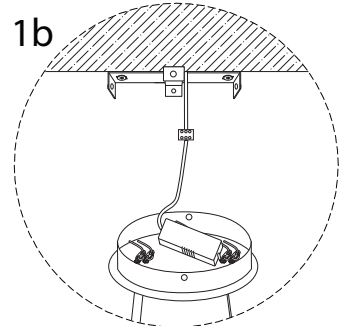
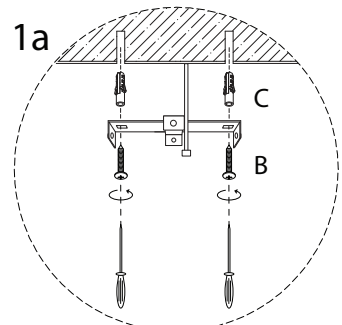
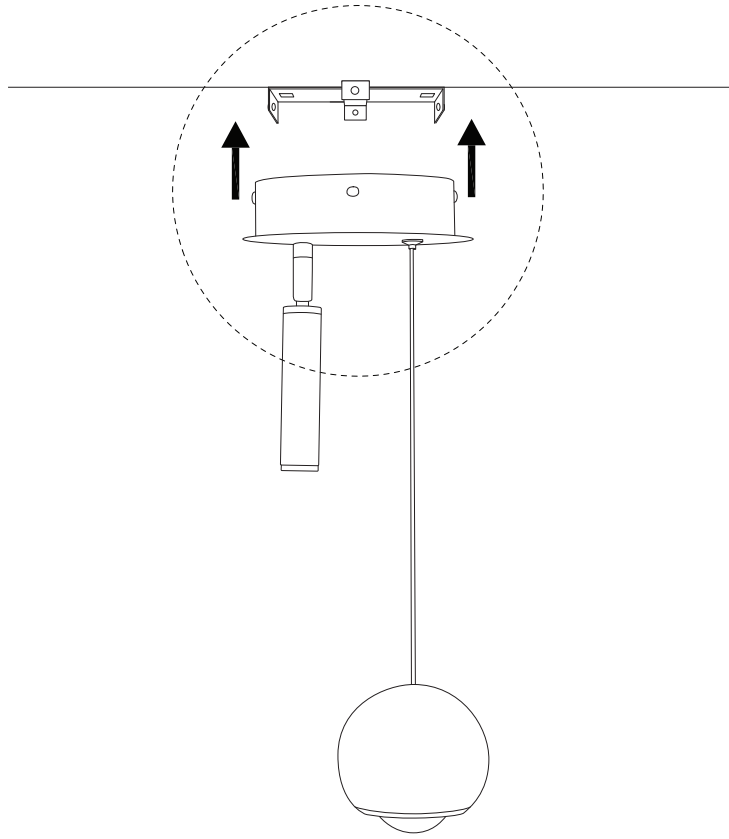
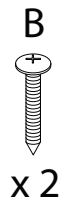
A	B	C
		
x 1	x 2	x 2

1

A  
x 1



2



!

