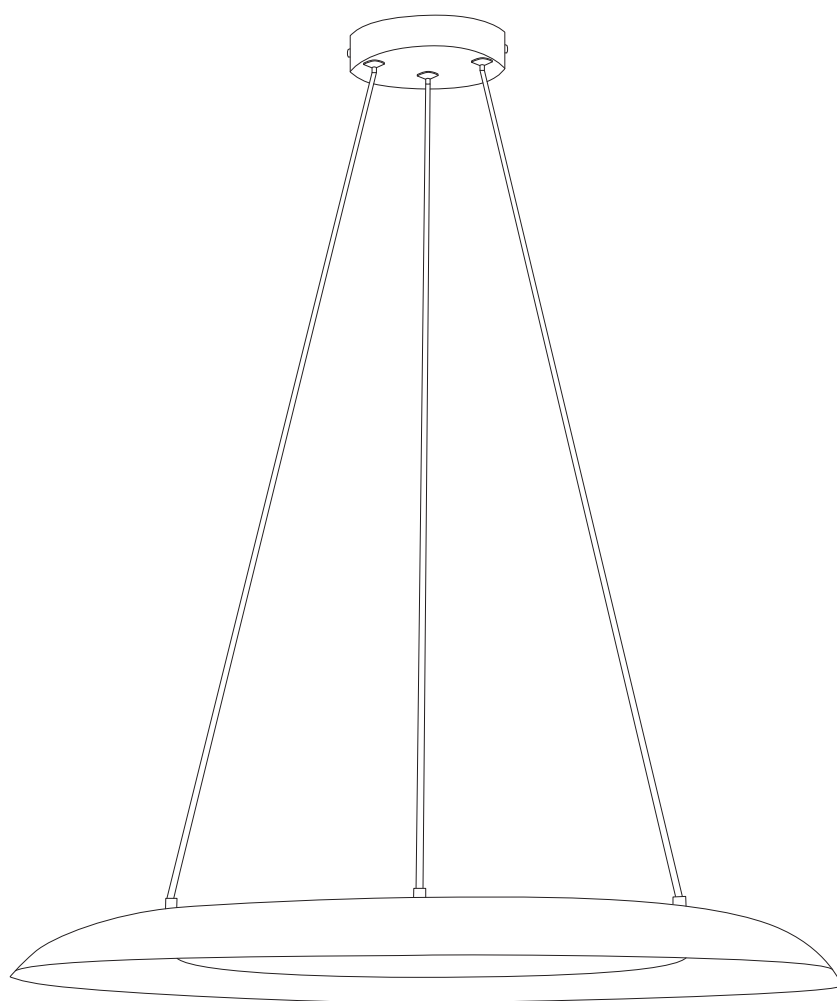


SURKO



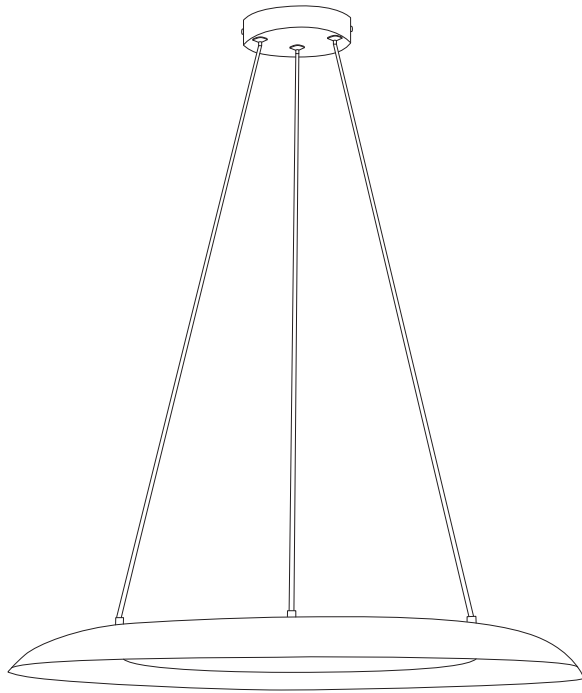
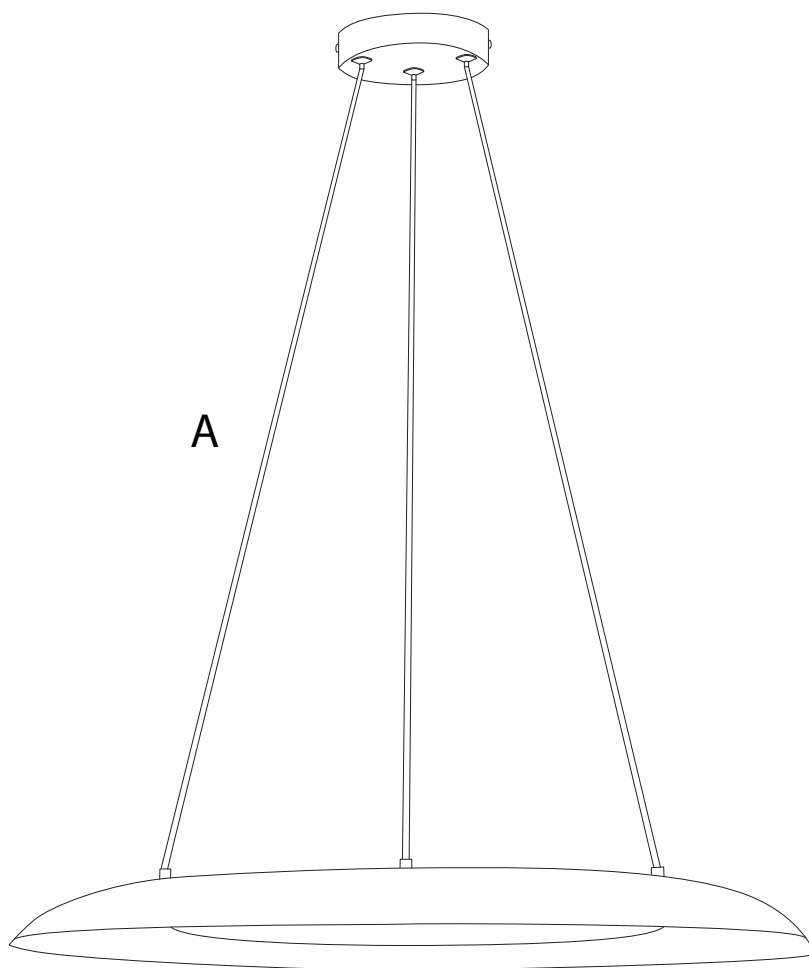
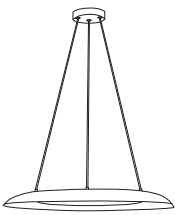
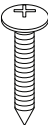
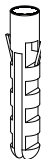


Diagram illustrating the required tools and safety precautions for installation:

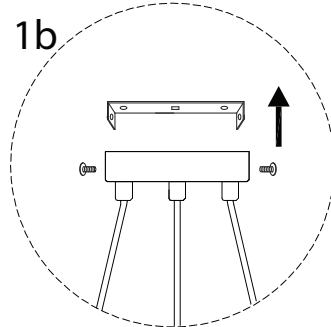
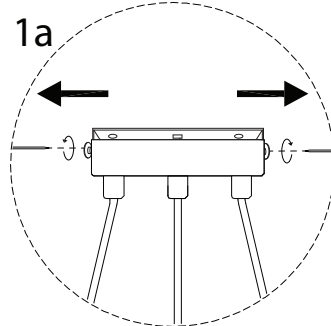
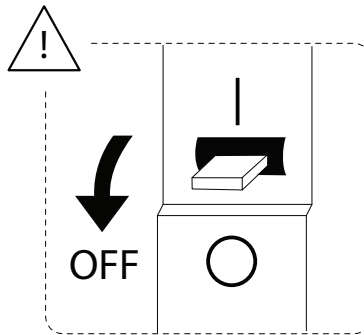
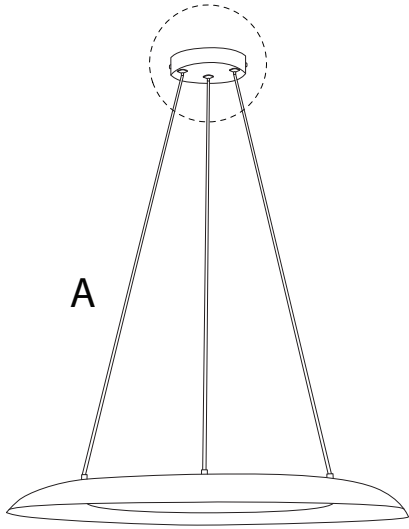
- Tools:** A screwdriver and a power drill are shown in a box, indicating the tools needed for installation.
- Warning:** A warning triangle with an exclamation mark is positioned above the tools box.
- Time:** A clock icon is shown next to the text "10'", indicating the estimated installation time is 10 minutes.
- Warning:** A warning triangle with an exclamation mark is positioned above the electrical safety section.
- Electrical Safety:** A lightning bolt symbol inside a circle is shown in a box, indicating that electrical safety precautions must be taken.
- Personnel:** A person icon is shown next to the number "2", indicating that two people are required for installation.



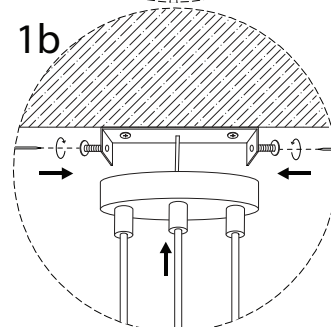
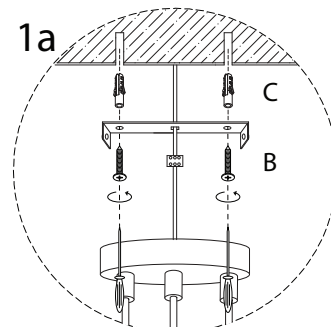
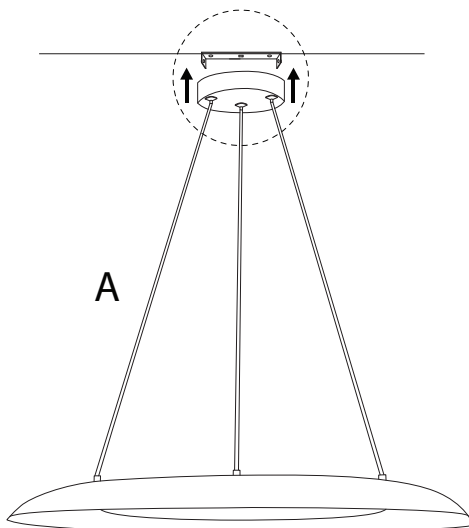
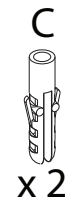
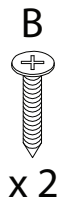
A

<p>A</p>  <p>x 1</p>	<p>B</p>  <p>x 2</p>	<p>C</p>  <p>x 2</p>
---	---	---

1



2



!

