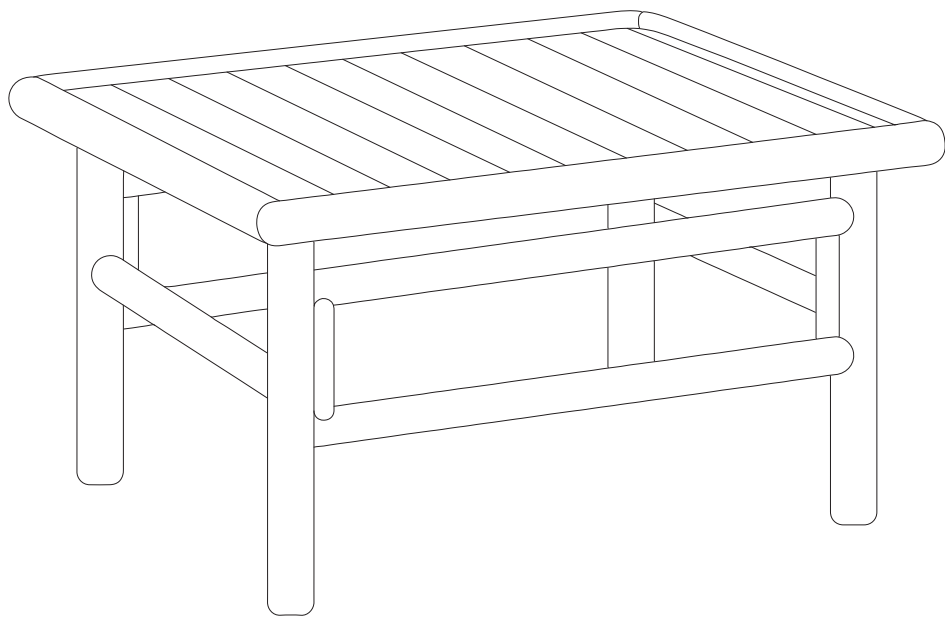


# CERRETO



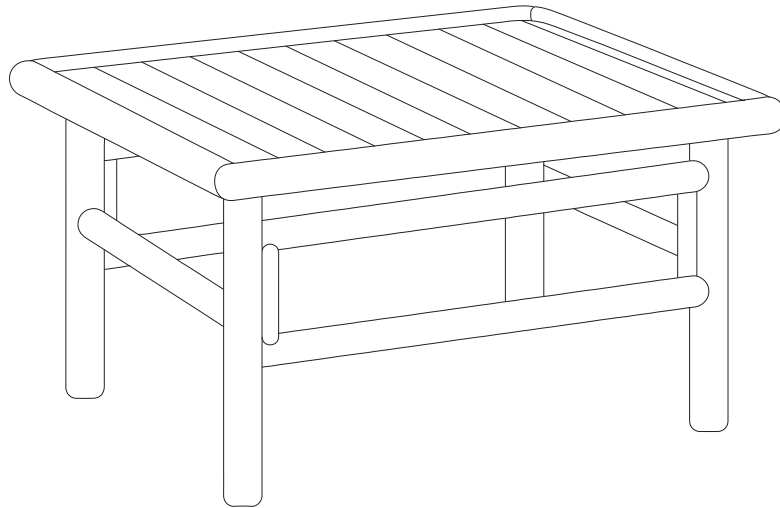
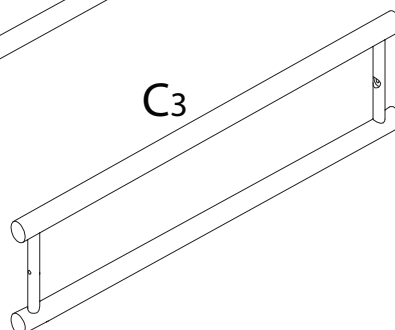
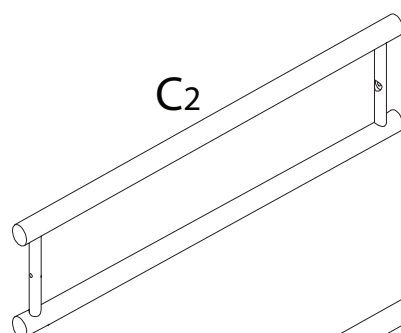
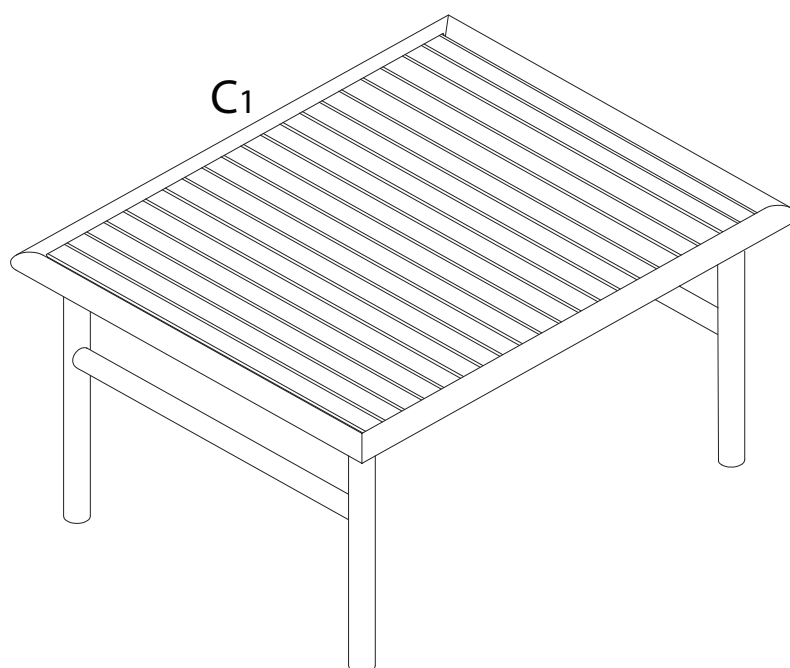
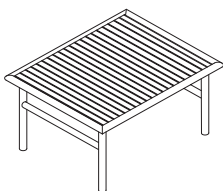
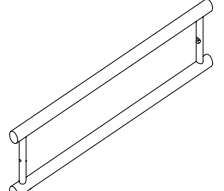
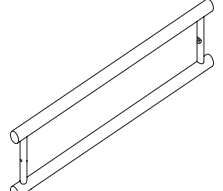
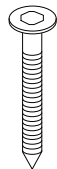
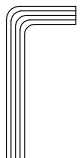


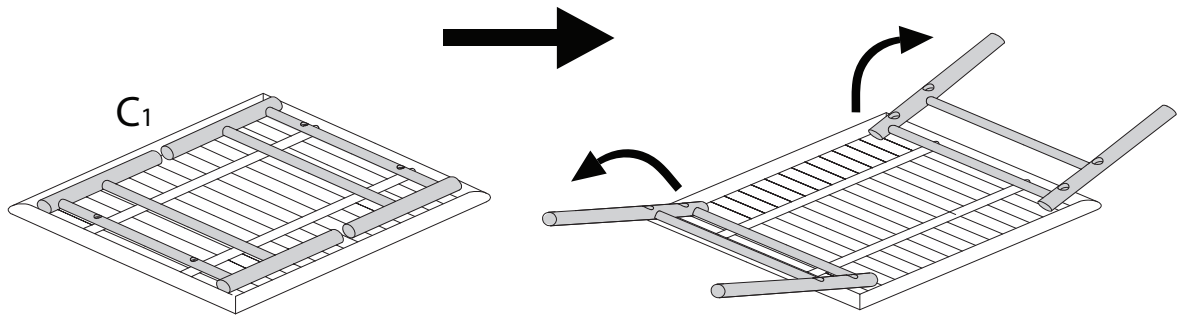
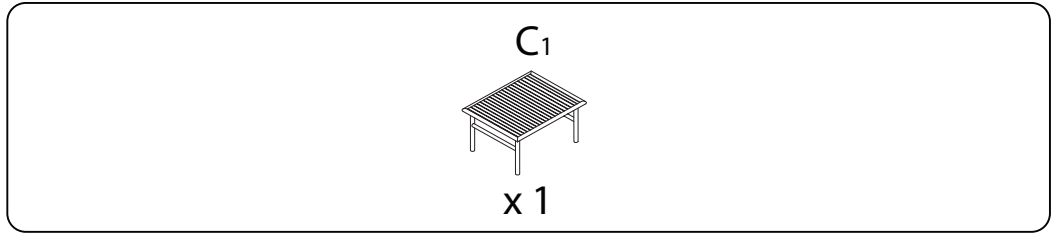
Diagram illustrating assembly steps and safety warnings:

- Step 1:** Shows an L-shaped corner bracket and a power drill with a slash through it, indicating that a power drill should not be used. A warning triangle with an exclamation mark is present.
- Step 2:** Shows a rectangular block being placed on a surface and another block being attached to its side with a screw. A warning triangle with an exclamation mark is present.
- Time:** A clock icon indicates a duration of 15' (15 minutes).
- Personnel:** An icon of a person indicates that 2 people are required for assembly.

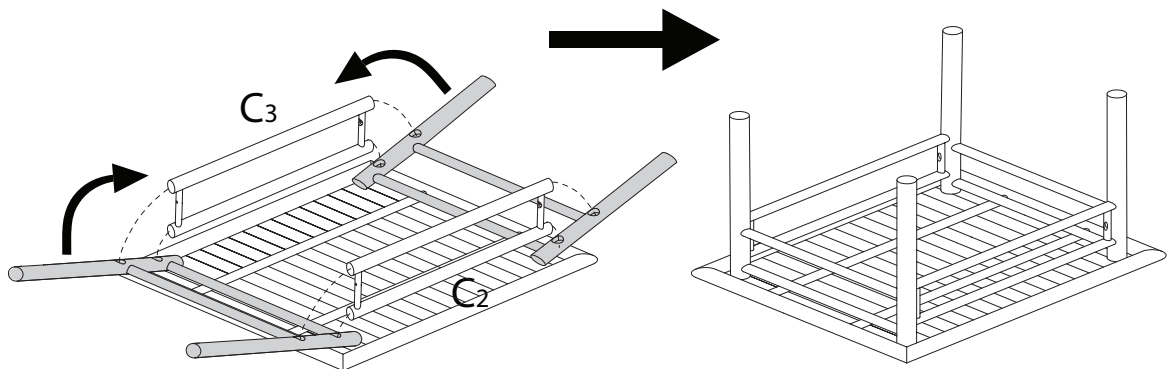
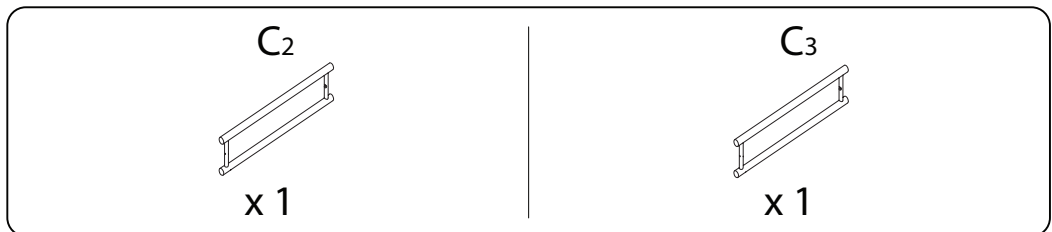


<p><b>C1</b></p>  <p><b>x 1</b></p>	<p><b>C2</b></p>  <p><b>x 1</b></p>	<p><b>C3</b></p>  <p><b>x 1</b></p>	<p><b>1</b></p>  <p><b>M6 x 40</b></p> <p><b>x 4</b></p>	<p><b>2</b></p>  <p><b>x 1</b></p>
--	--	--	---	---

1



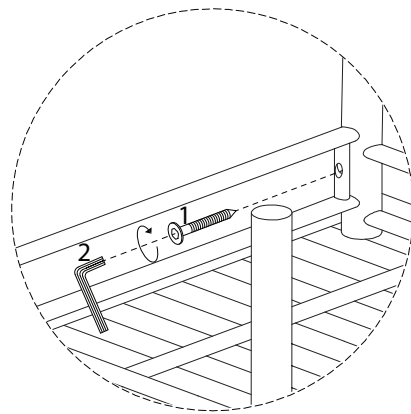
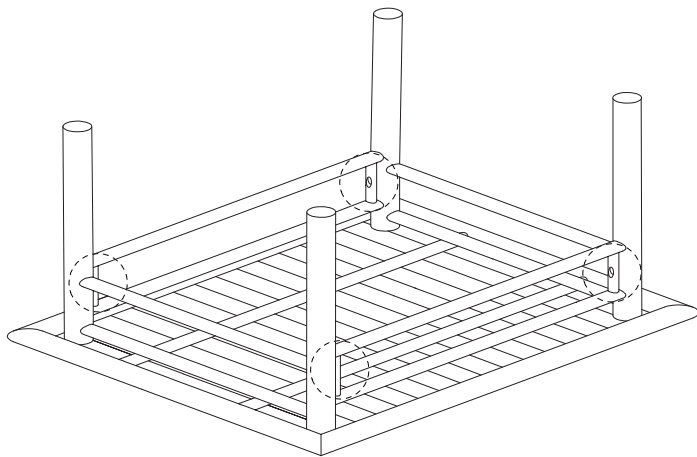
2



3

1  
M6  
x  
40  
x 4

2  
x 1



!

