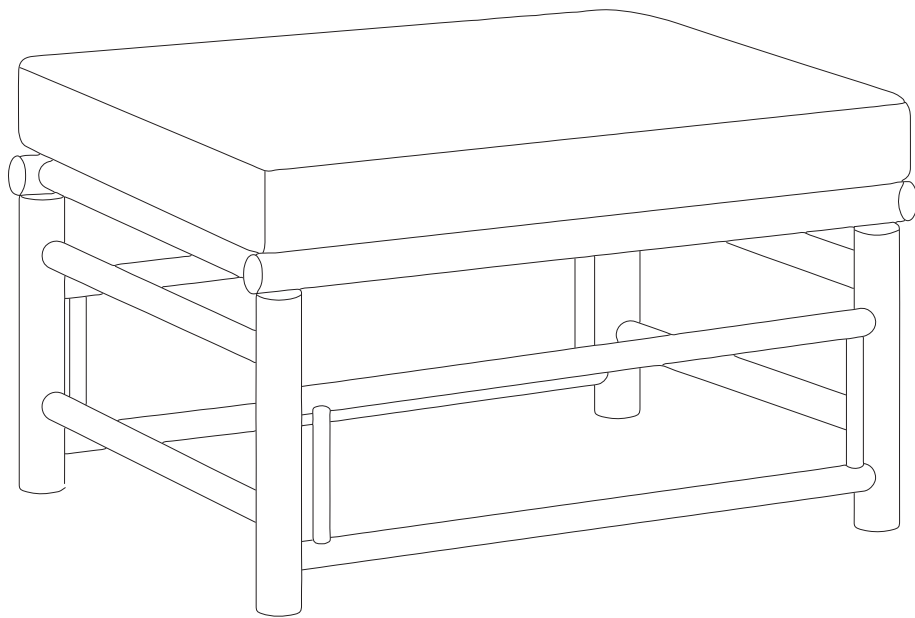


CERRETO



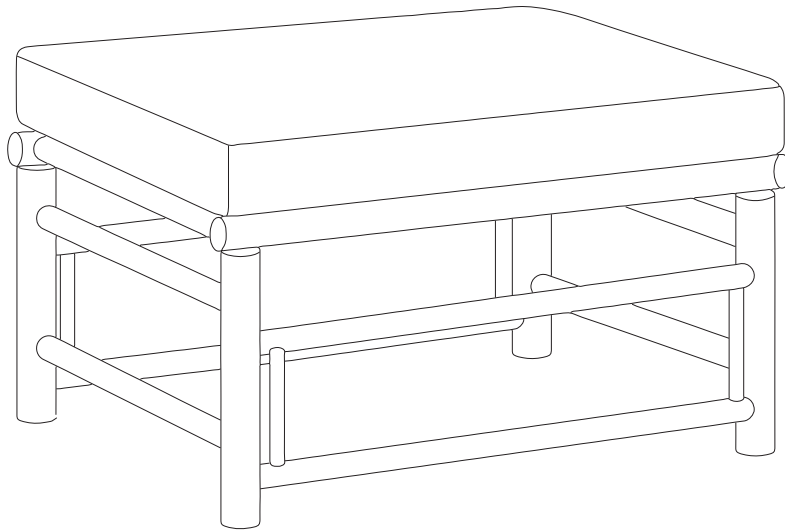
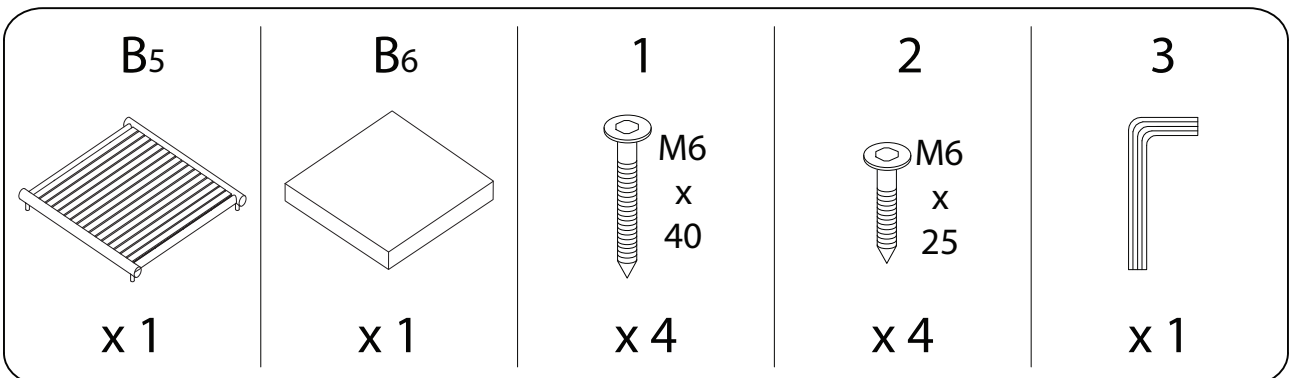
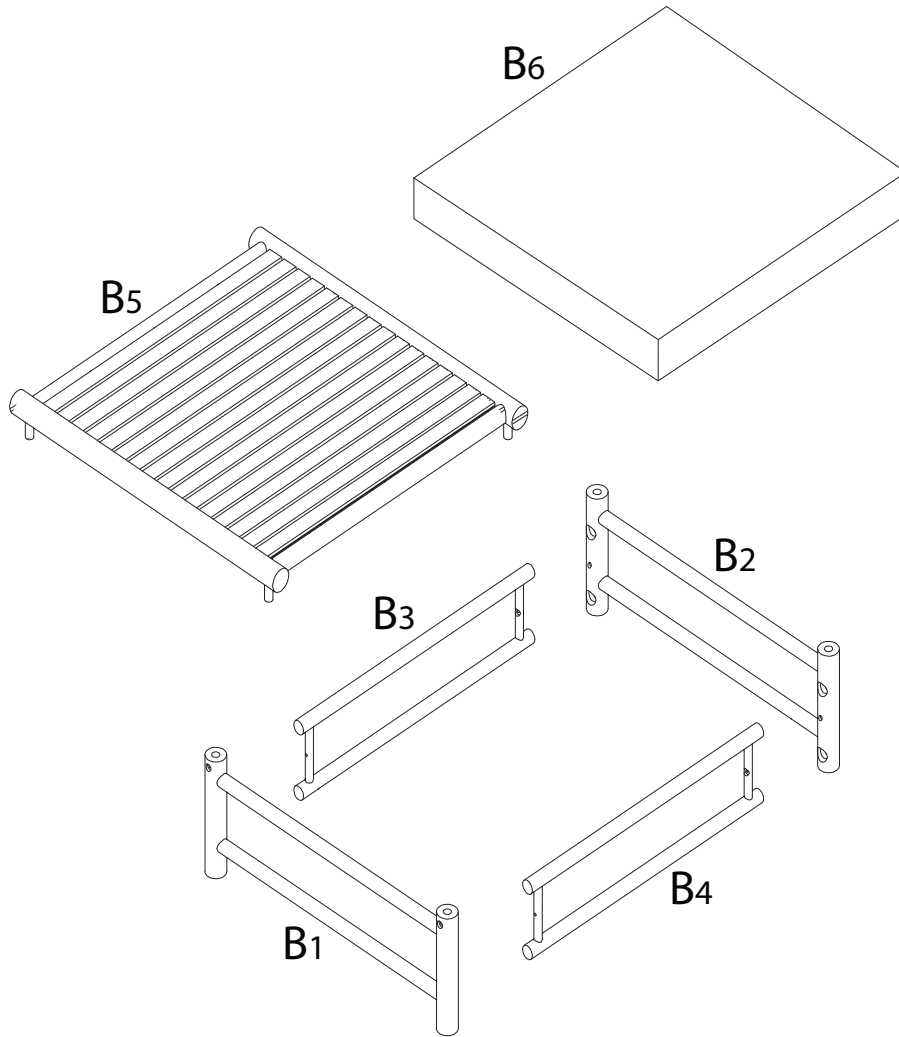
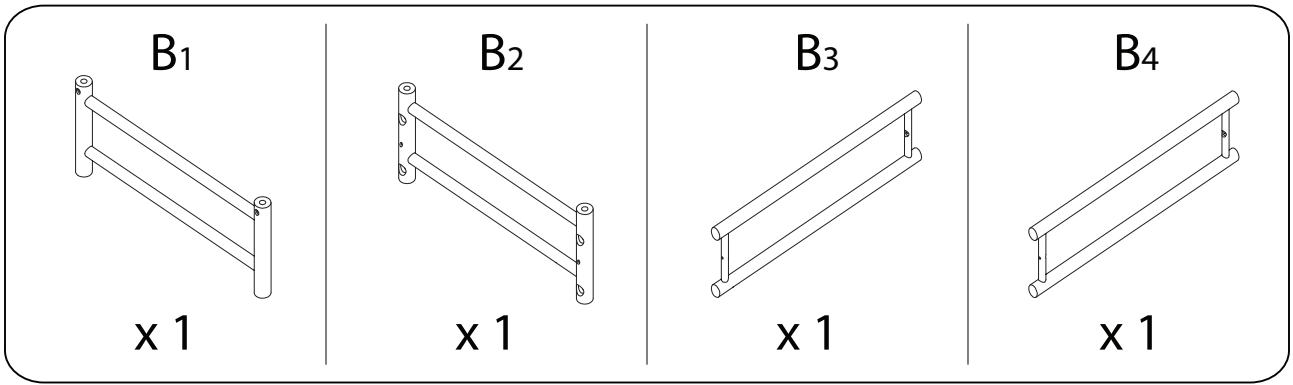
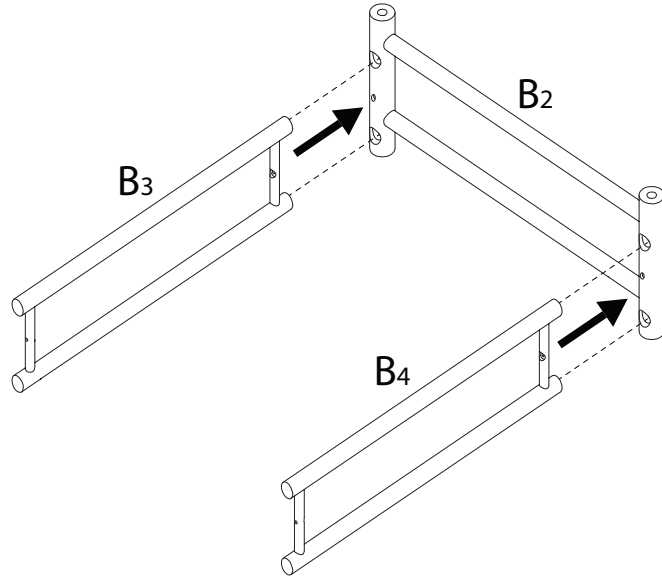
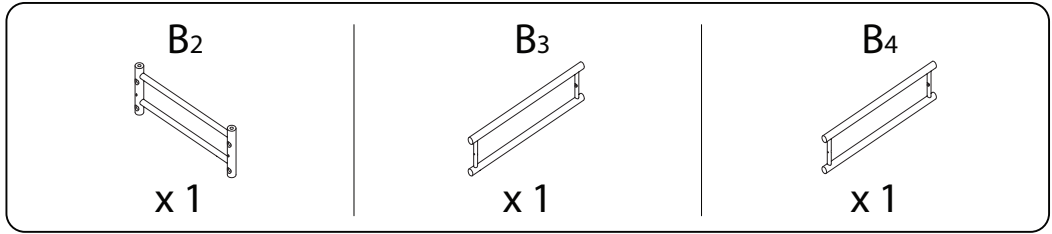


Diagram illustrating assembly steps and safety warnings:

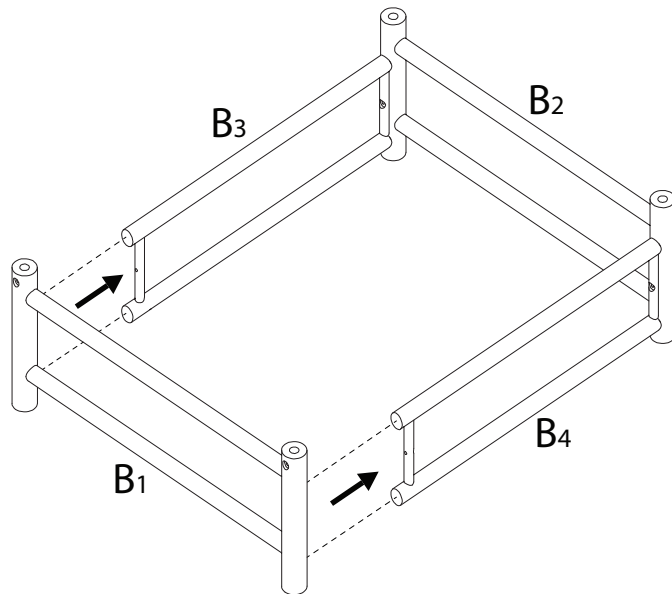
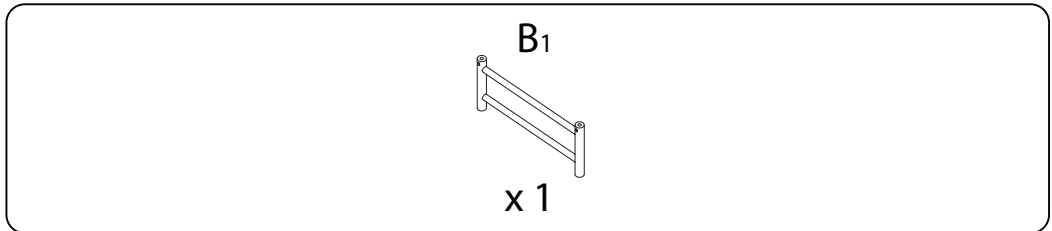
- Step 1:** Shows an L-shaped metal bracket and a power drill with a slash through it, indicating that a power drill should not be used. A warning triangle with an exclamation mark is shown to the right.
- Step 2:** Shows a rectangular block being placed on a textured surface and a diagram of the block being cut with a slash through it, indicating that the block should not be cut. A warning triangle with an exclamation mark is shown to the right.
- Time:** A clock icon is shown next to the text "20'", indicating a 20-minute assembly time.
- Personnel:** A person icon is shown next to the number "2", indicating that two people are required for assembly.



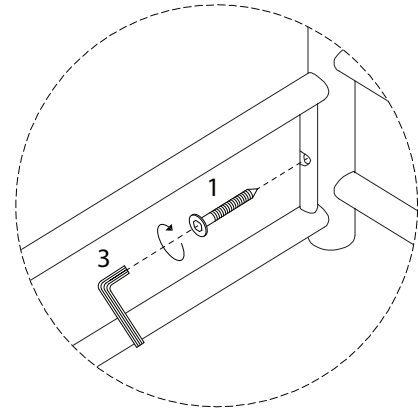
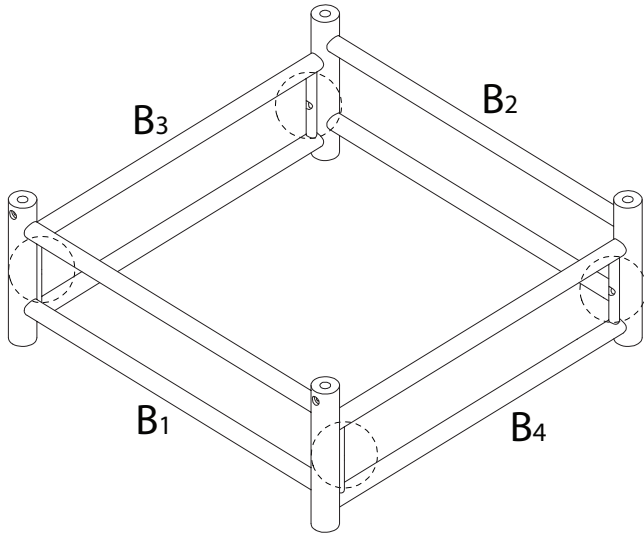
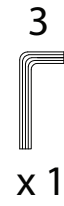
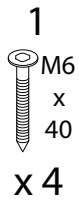
1



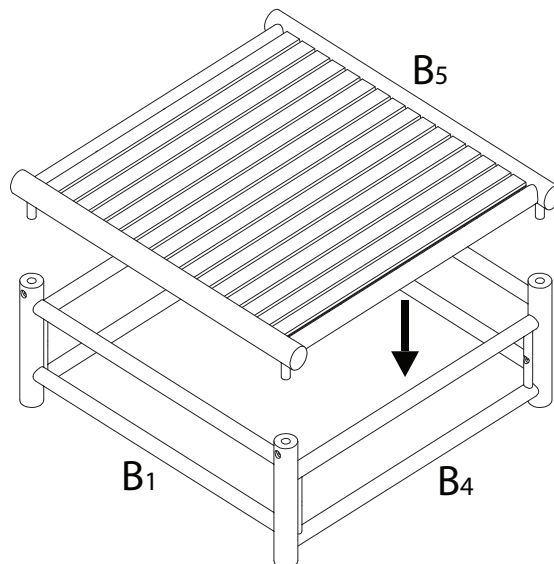
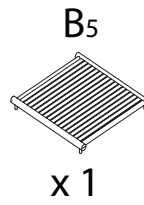
2



3



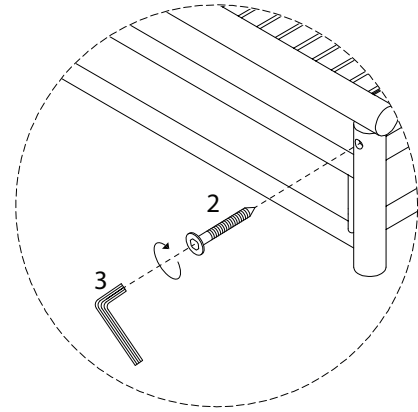
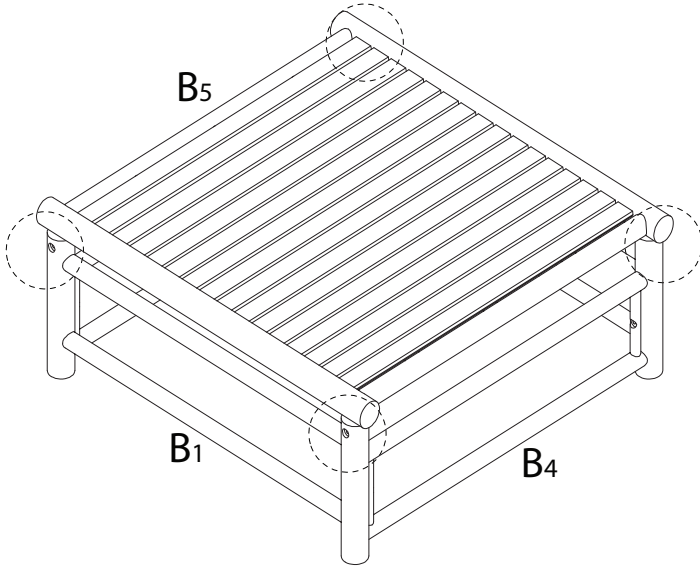
4



5

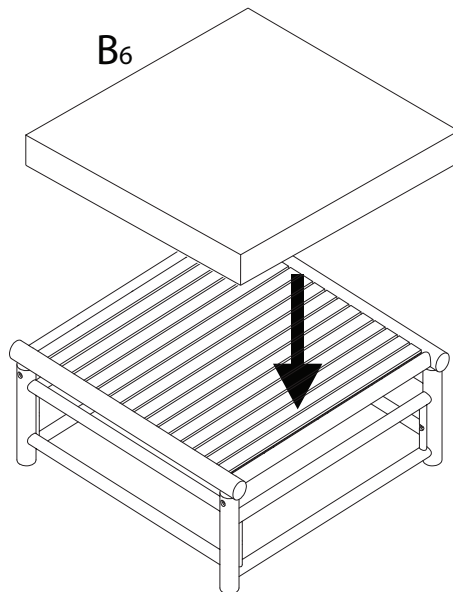
2
M6
x
60
x 4

3
x 1



6

B6
x 1



!

