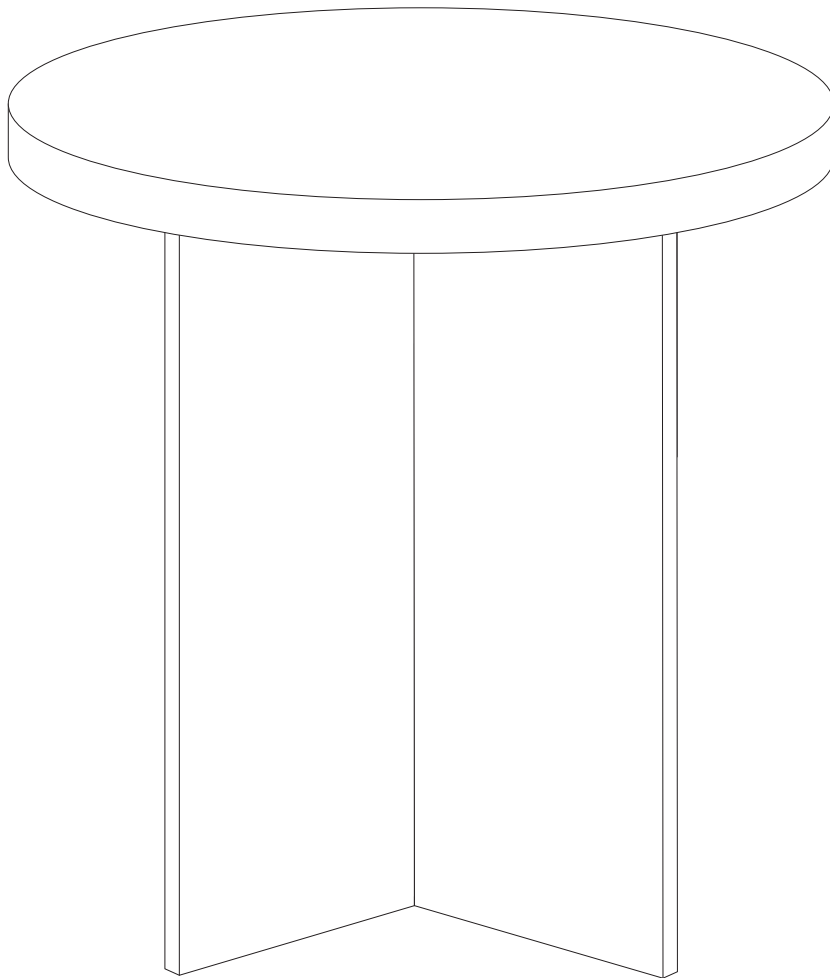
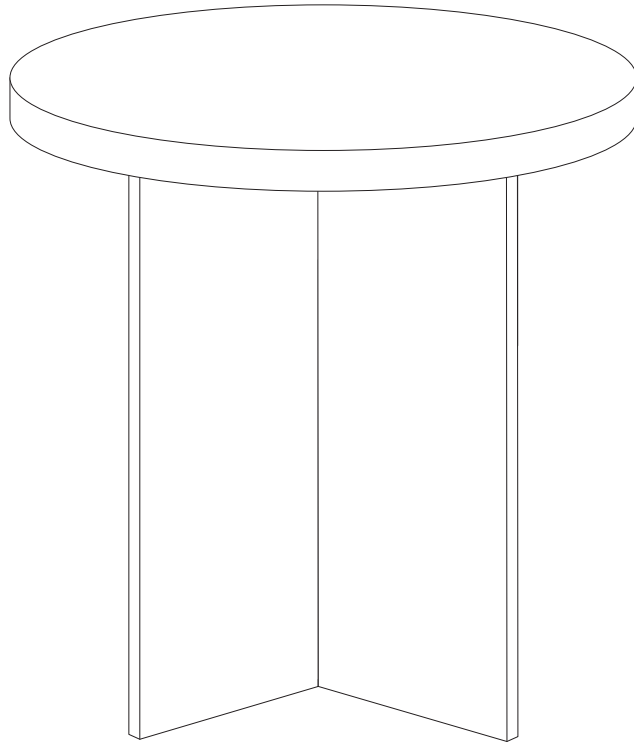
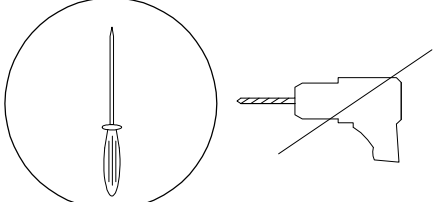

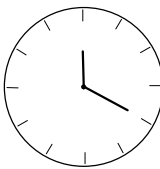
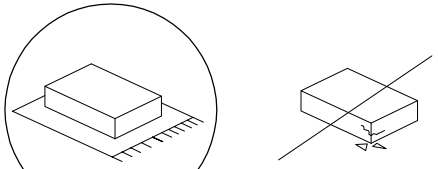


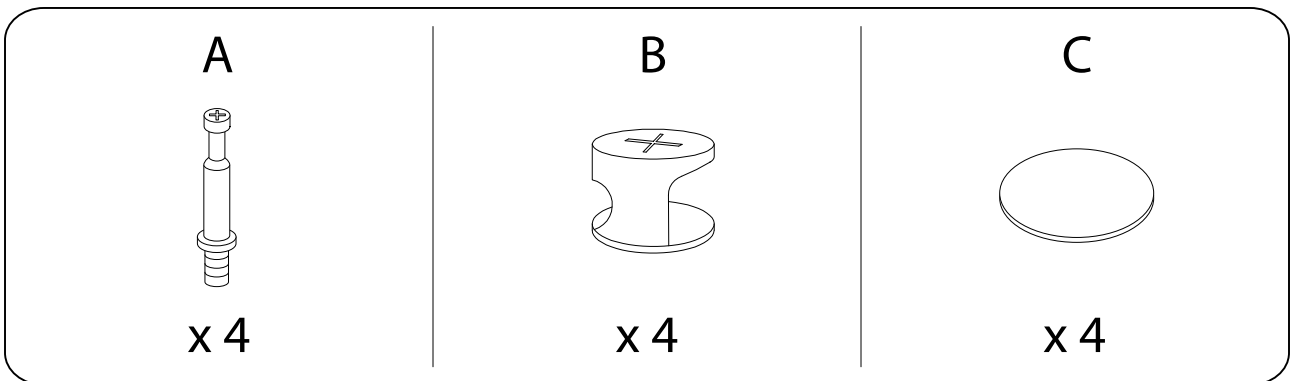
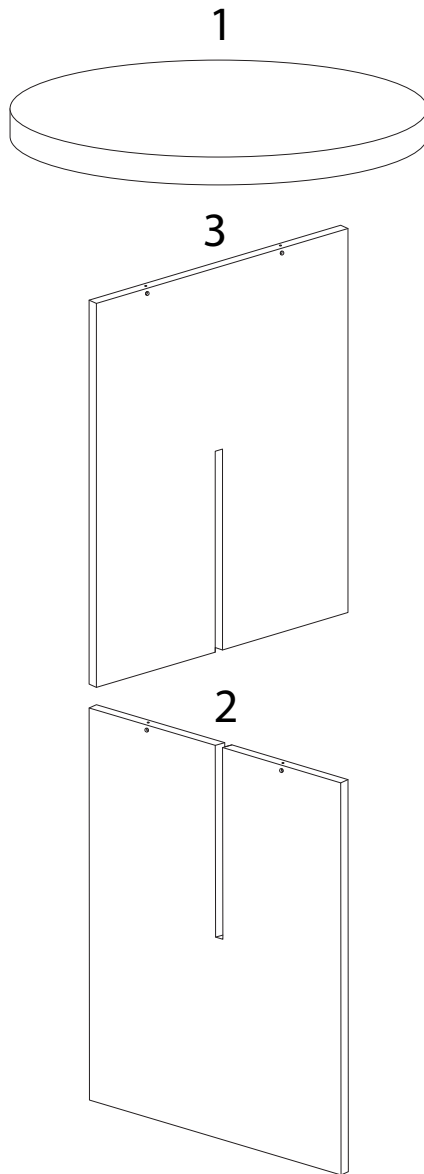
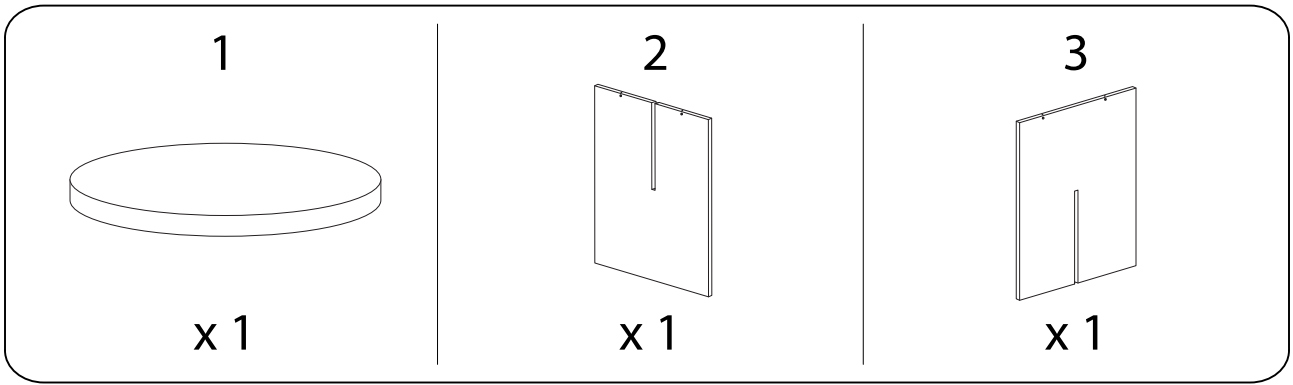


STANTON

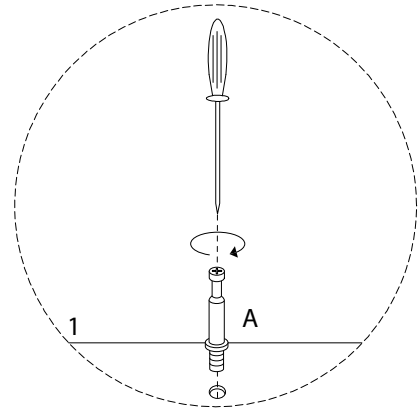
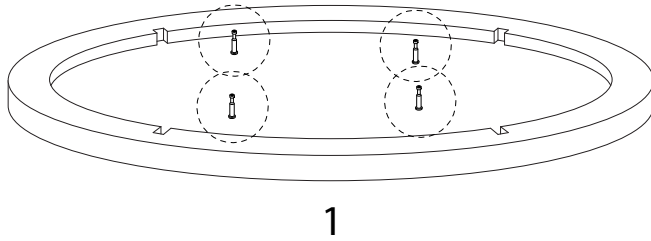
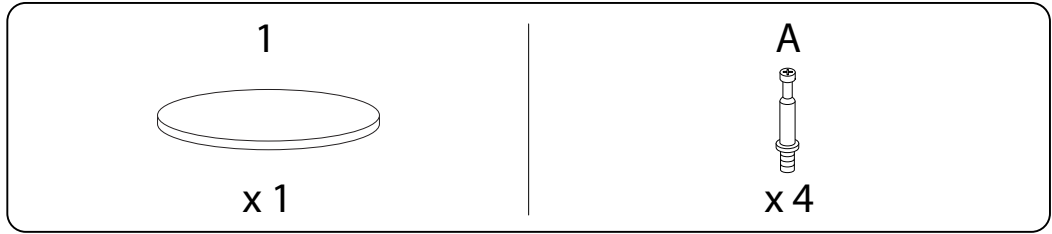




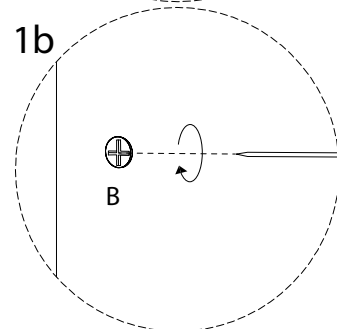
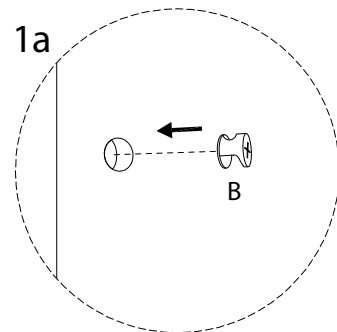
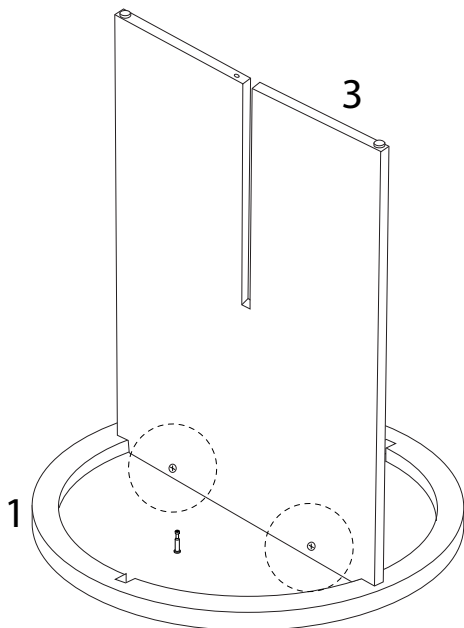
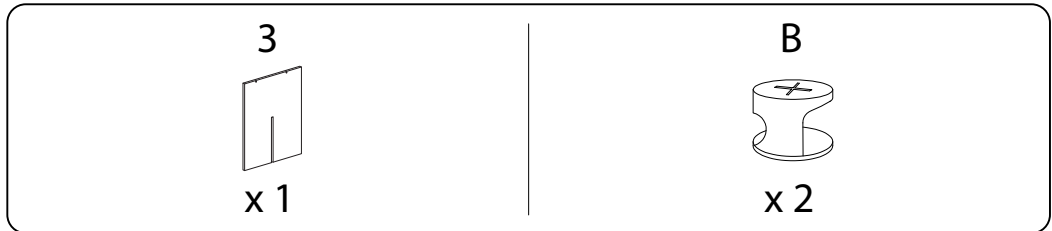
		
		20'
		
		2



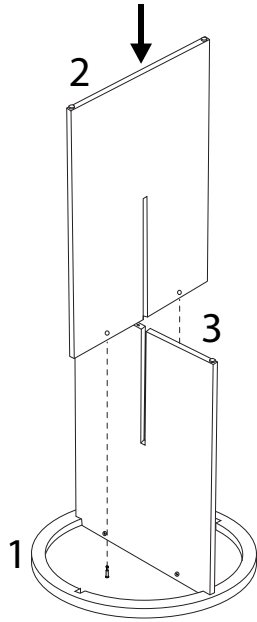
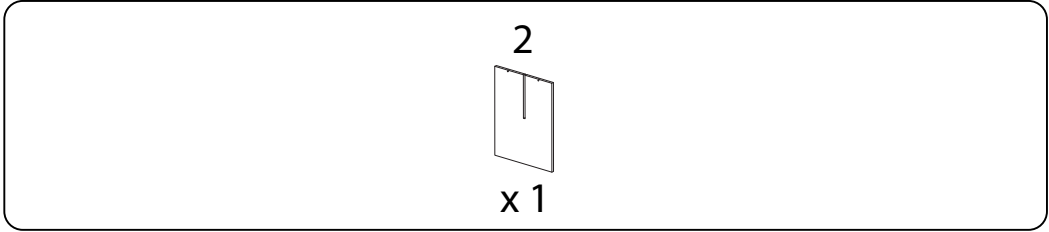
1



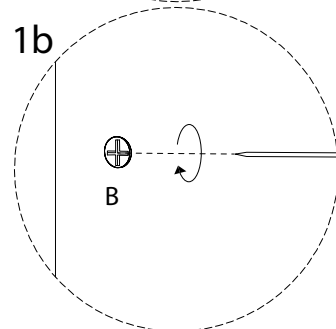
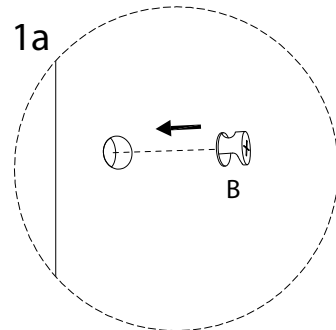
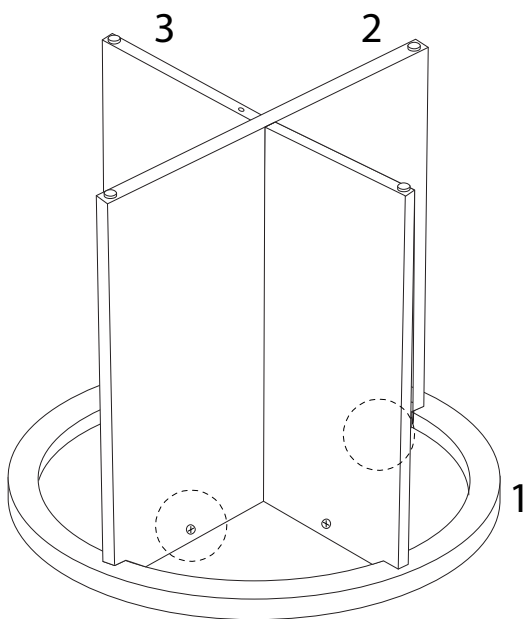
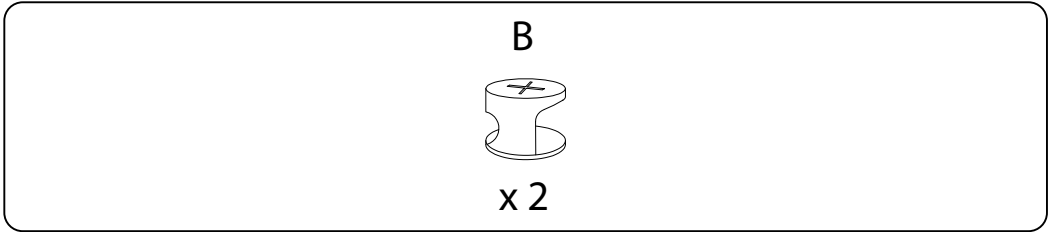
2



3



4



5

C



x4

