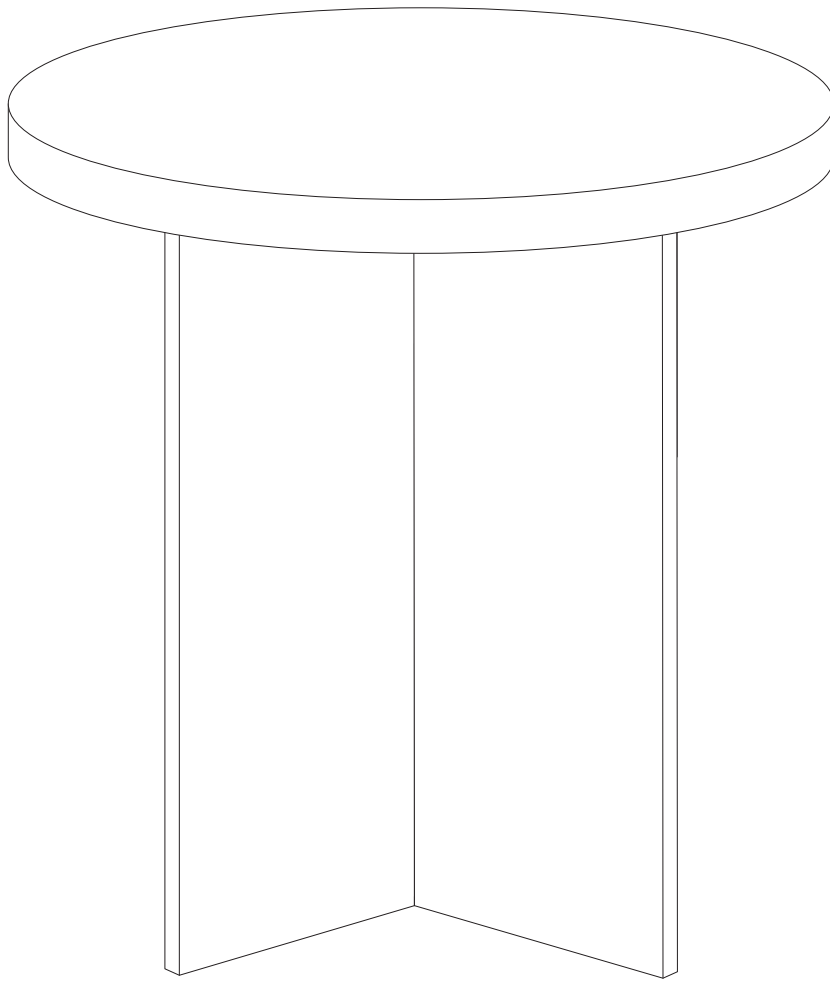
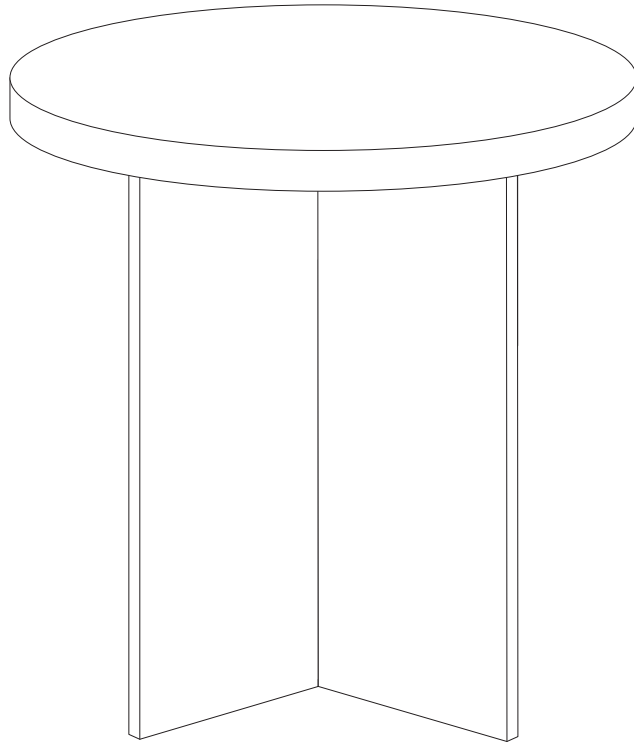
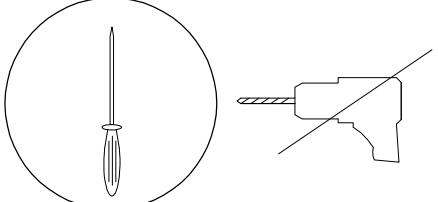

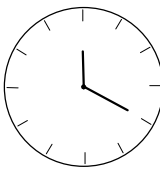
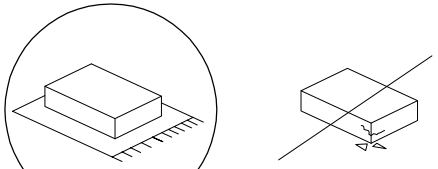


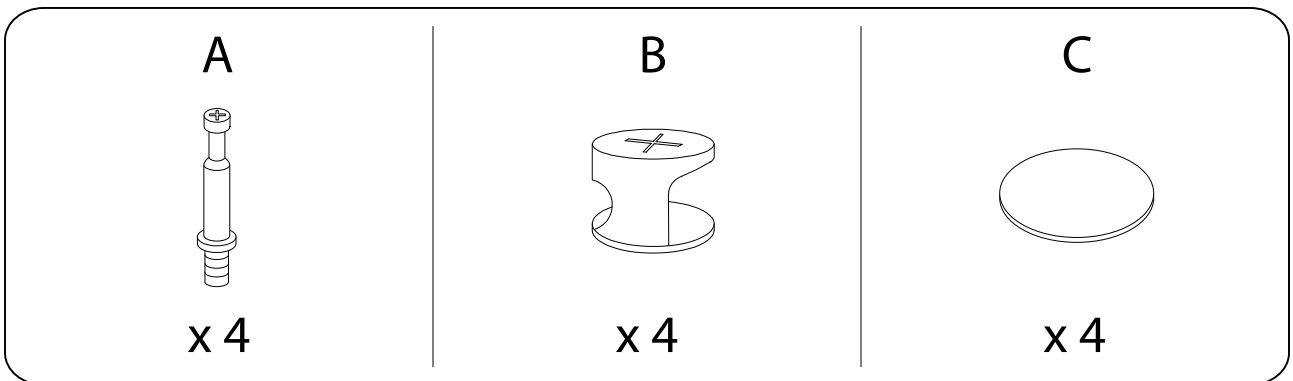
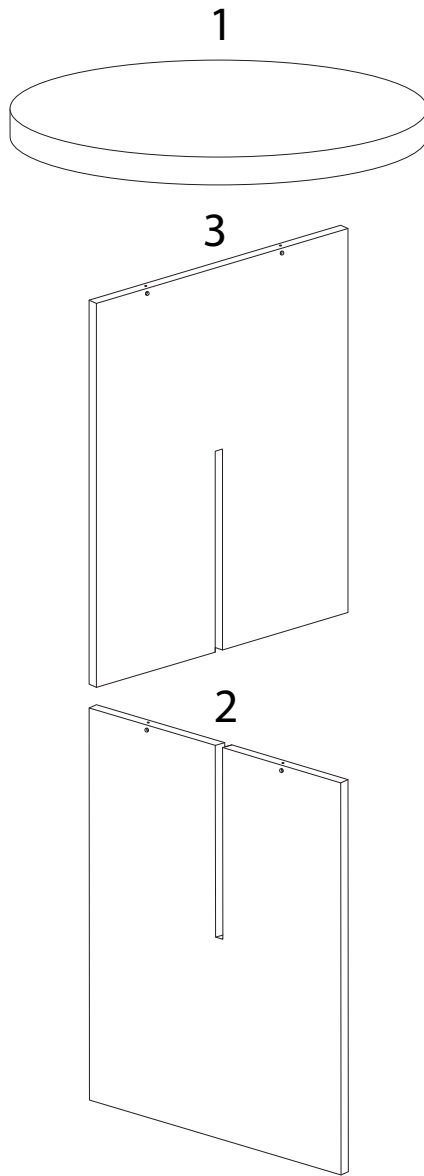
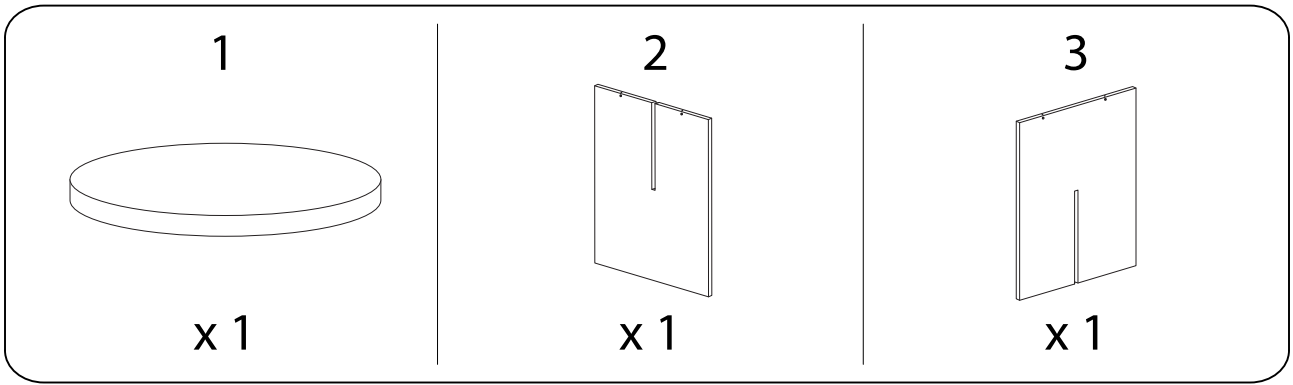


# STANTON

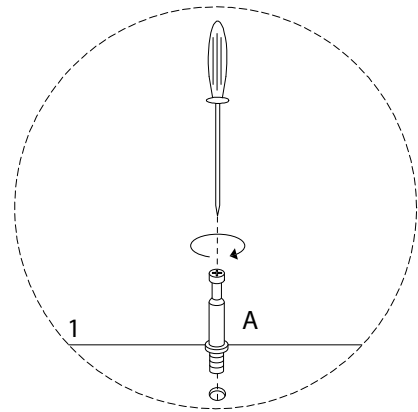
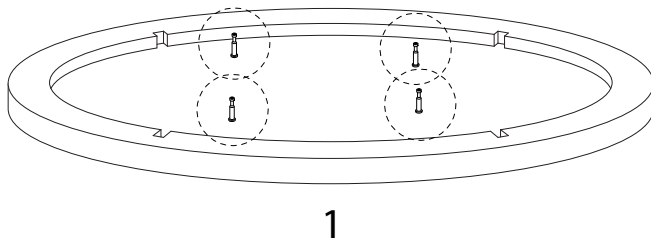
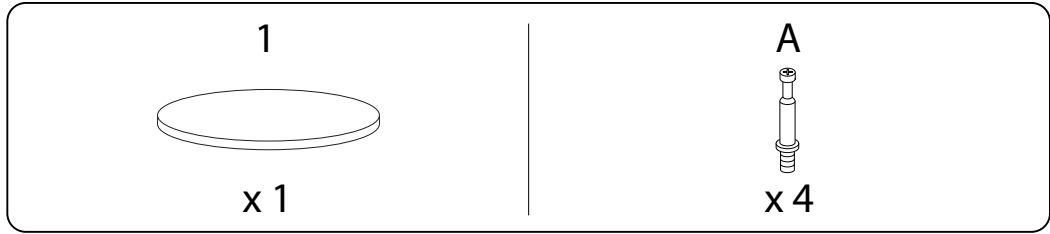




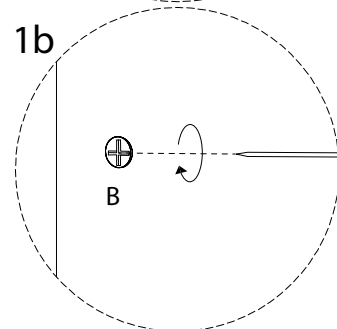
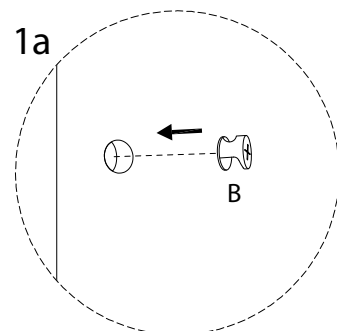
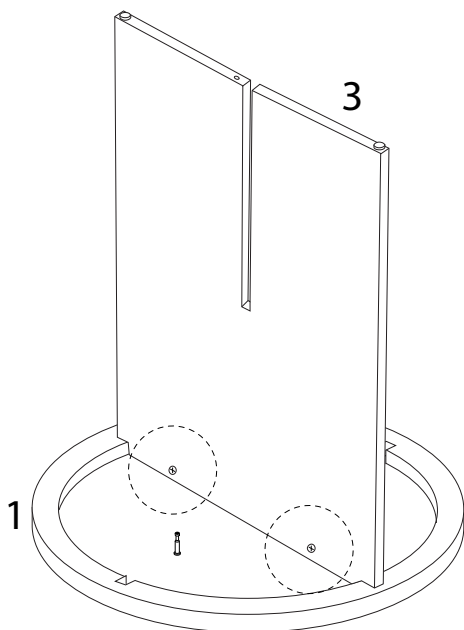
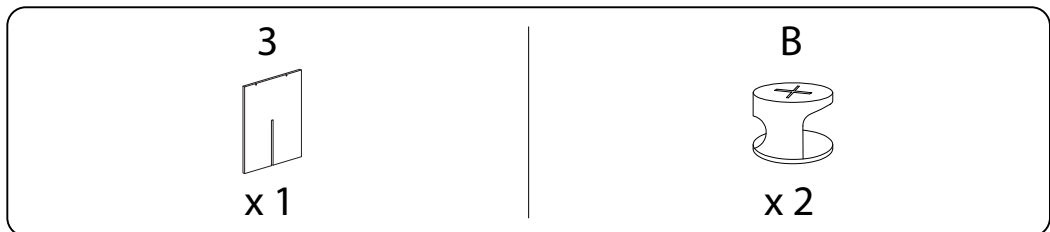
		
		<b>20'</b>
		
		<b>2</b>



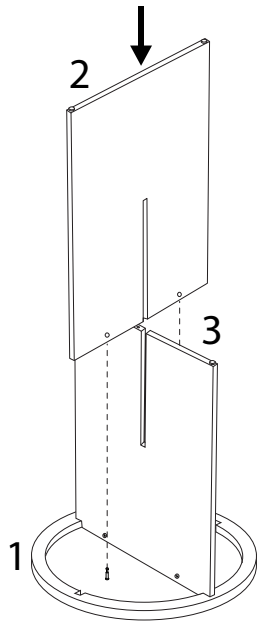
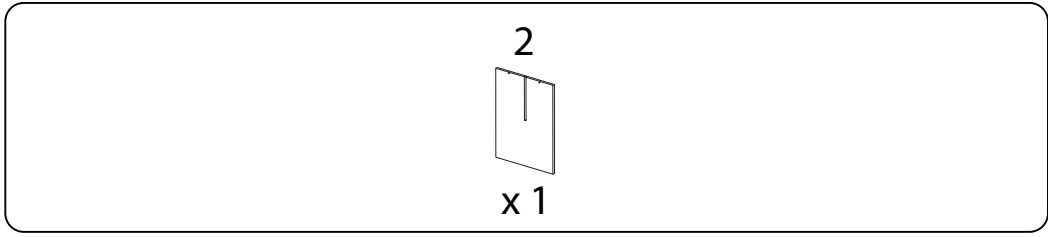
1



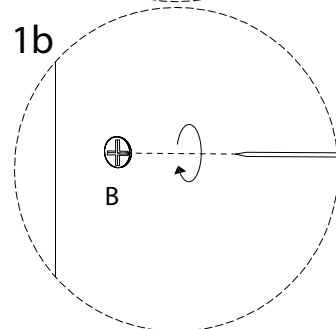
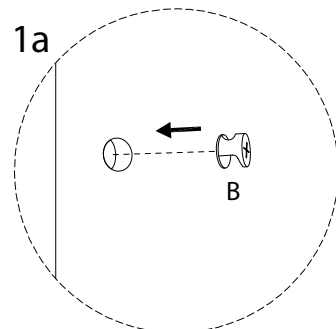
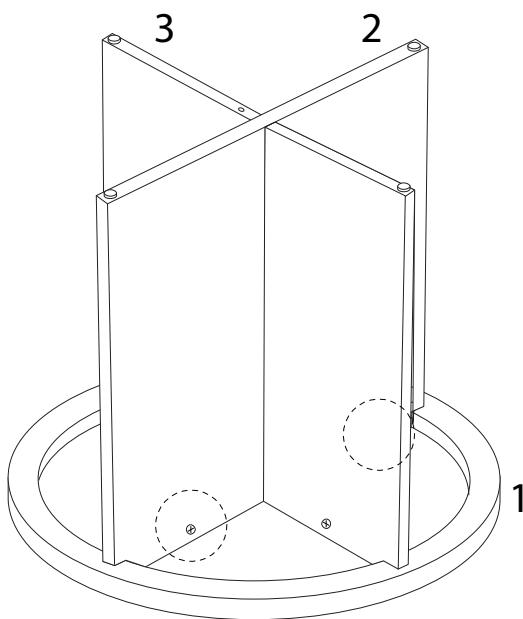
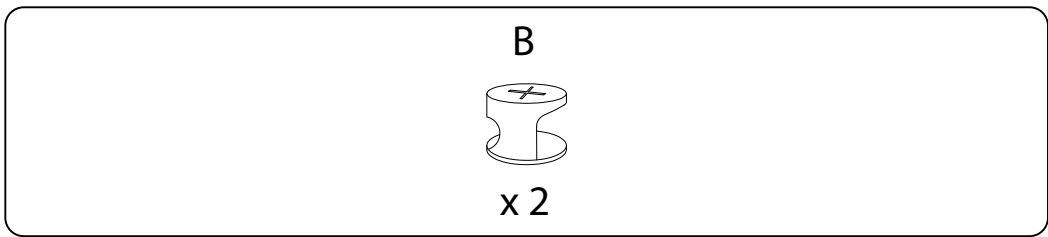
2



3

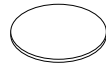


4



5

C



x4

