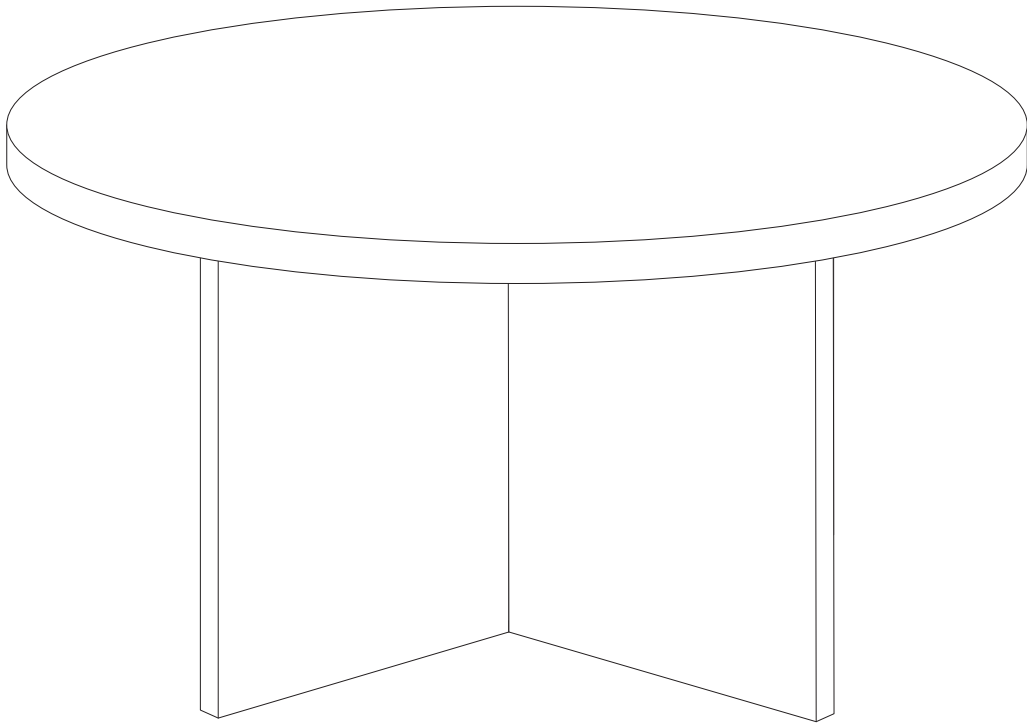


STANTON



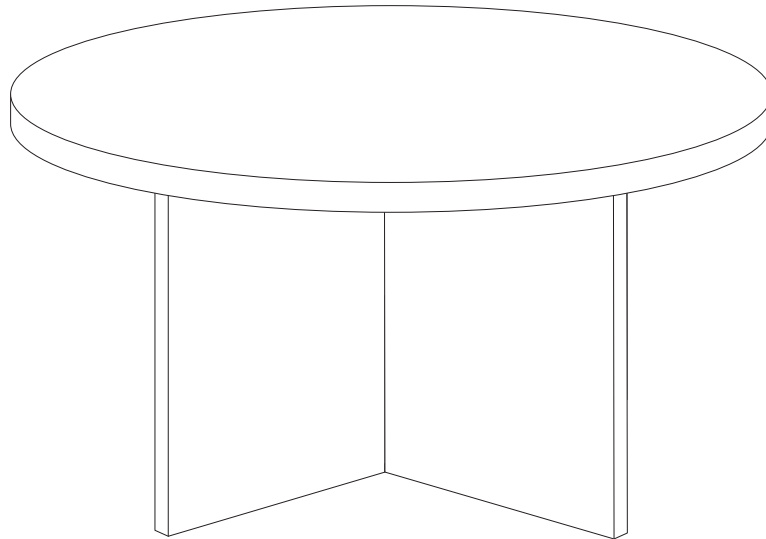
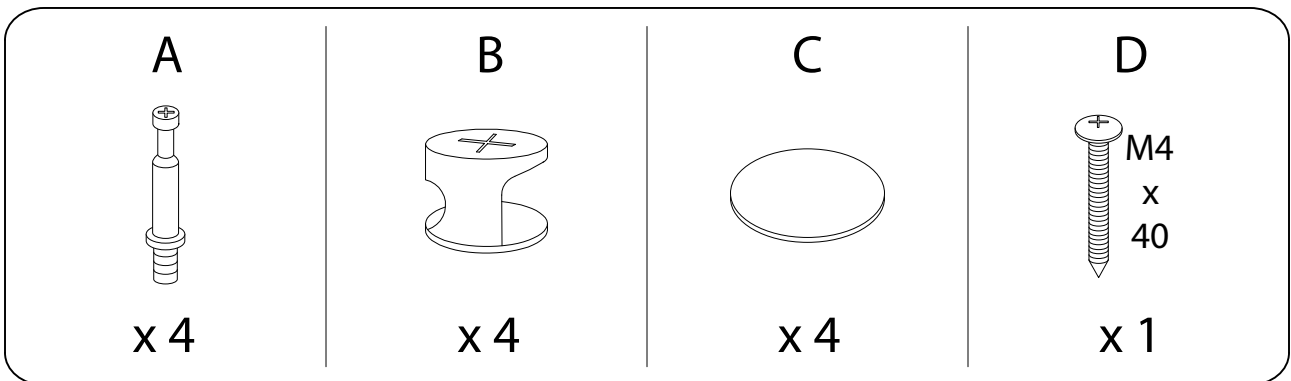
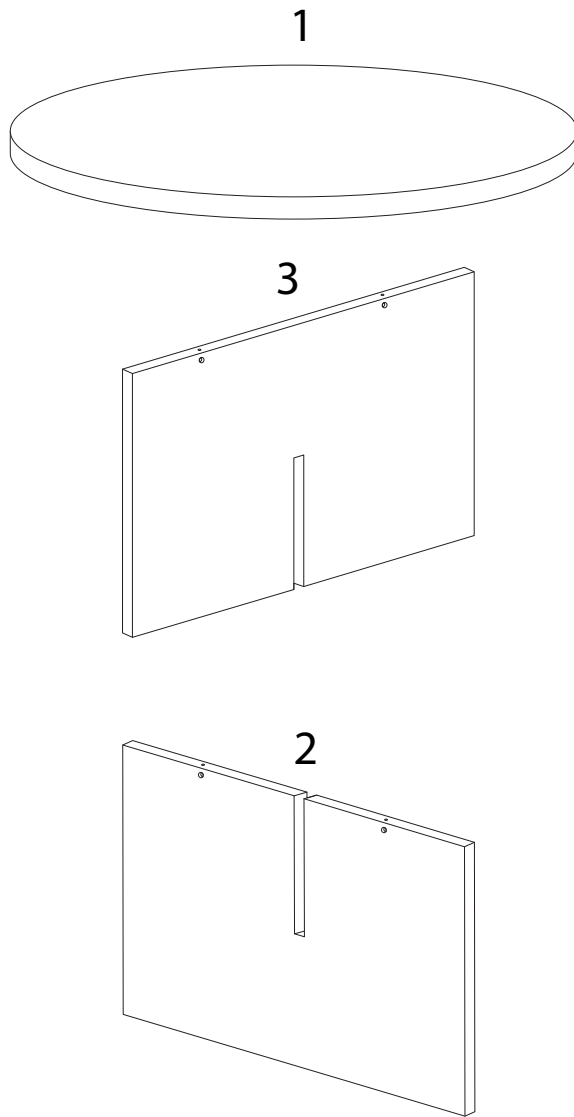
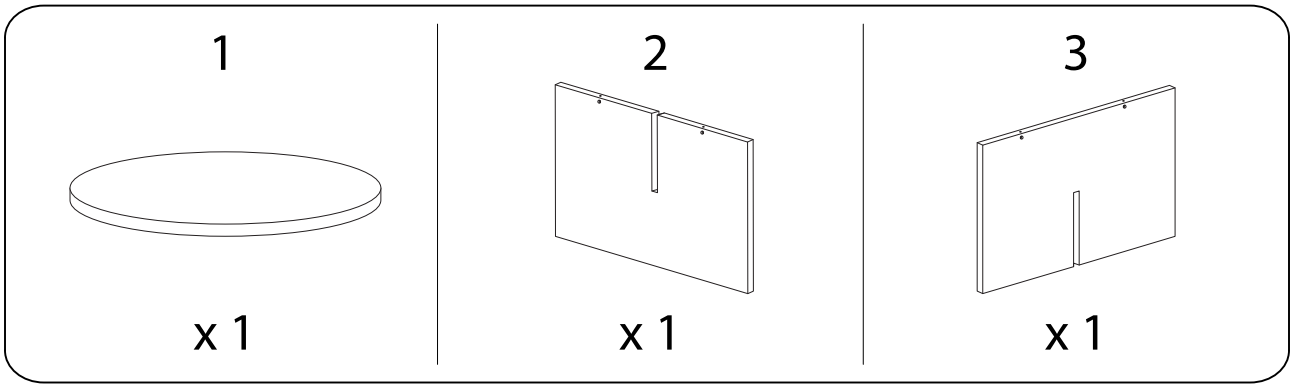
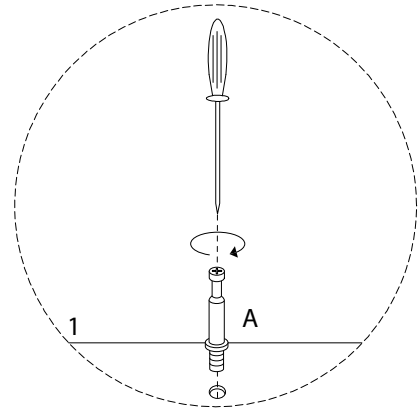
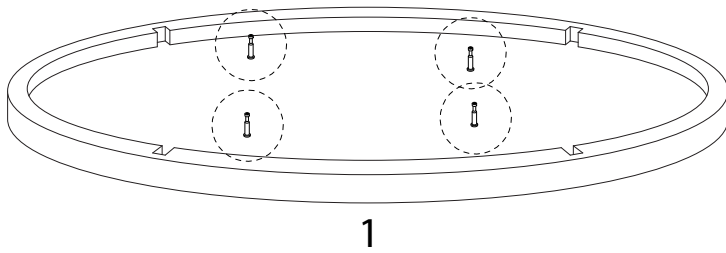
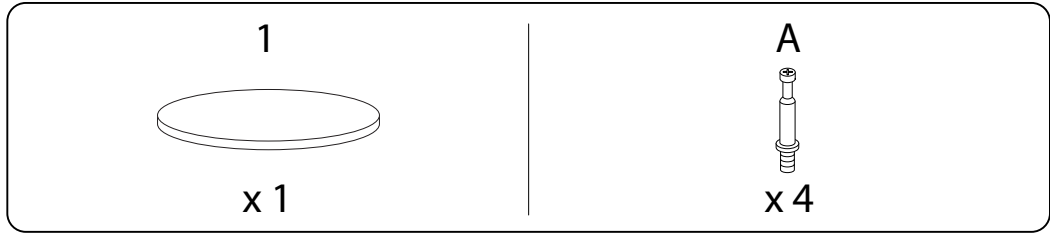


Diagram illustrating assembly instructions and safety warnings:

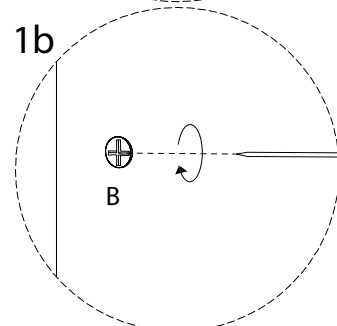
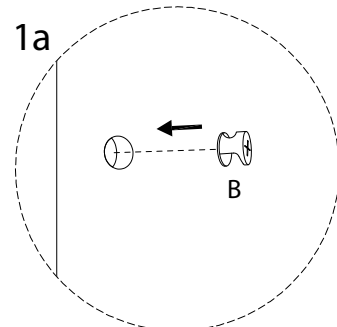
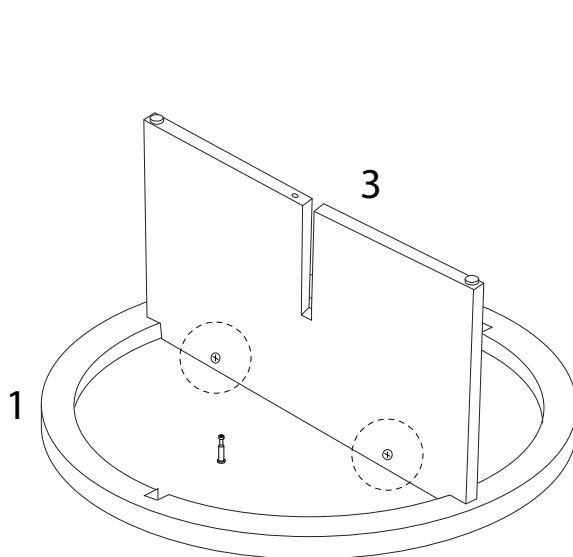
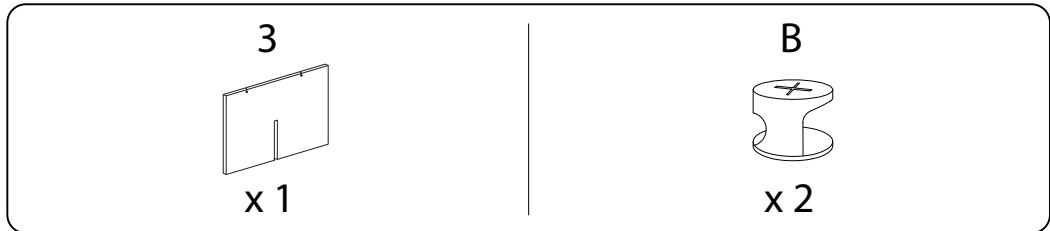
- Top Section:** Shows a screwdriver and a power drill with a diagonal line through it, indicating that a power drill should not be used. To the right is a warning triangle with an exclamation mark, a clock icon, and the text "20'", indicating a 20-minute assembly time.
- Bottom Section:** Shows a rectangular block being placed on a surface and another block being secured with a screw. To the right is a warning triangle with an exclamation mark, a person icon, and the text "2", indicating that two people are required for assembly.



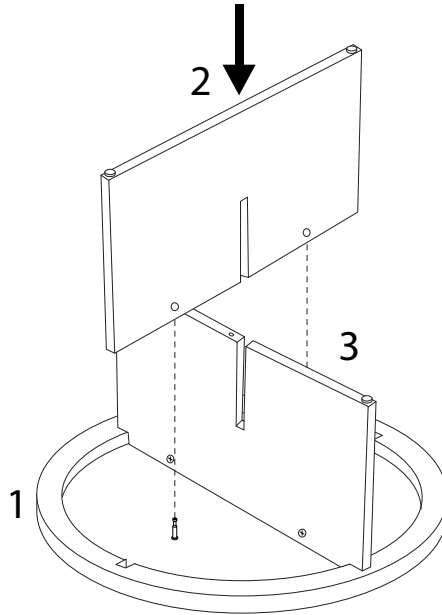
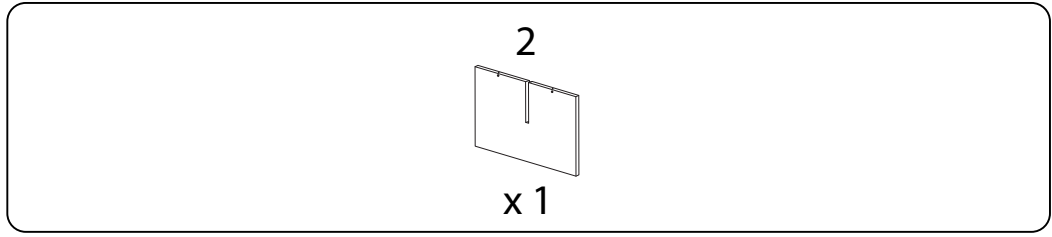
1



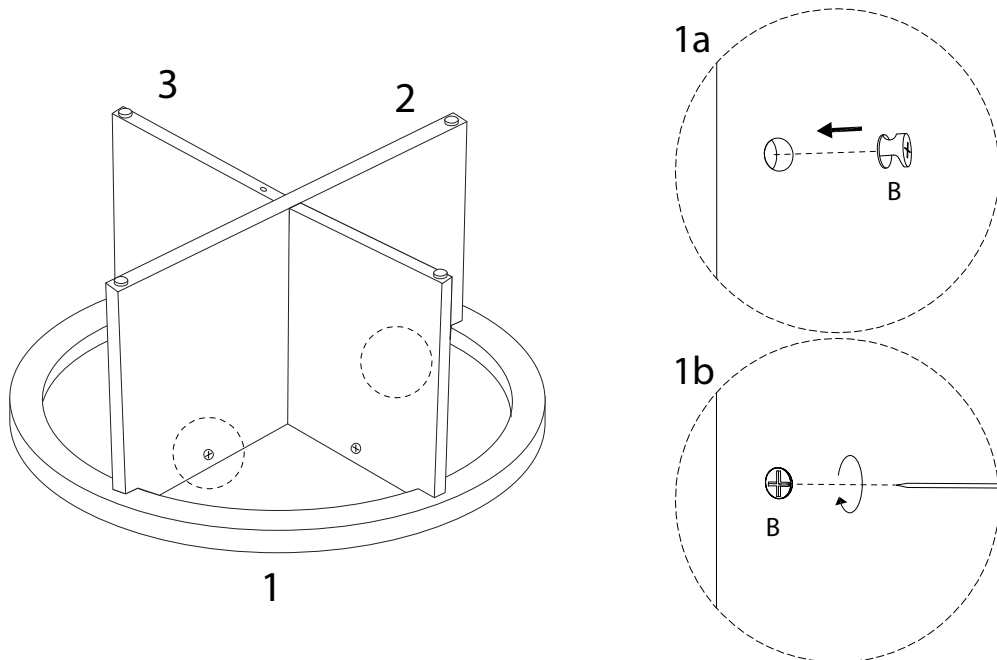
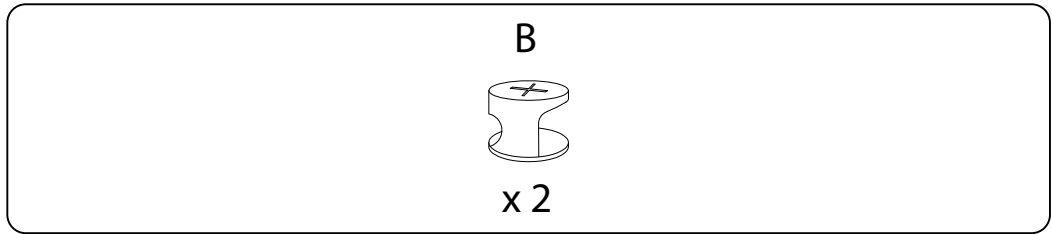
2



3

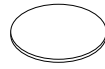


4

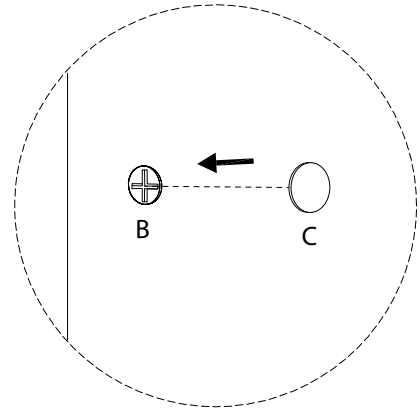
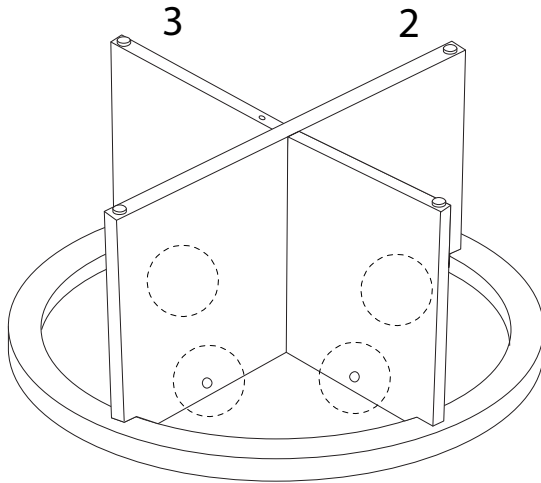


5

C

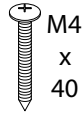


x 4



6

D



x 1

