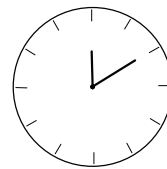
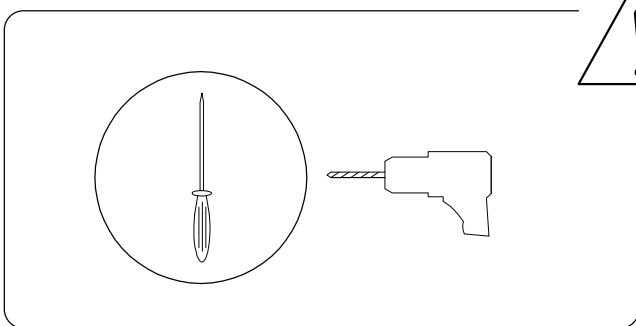
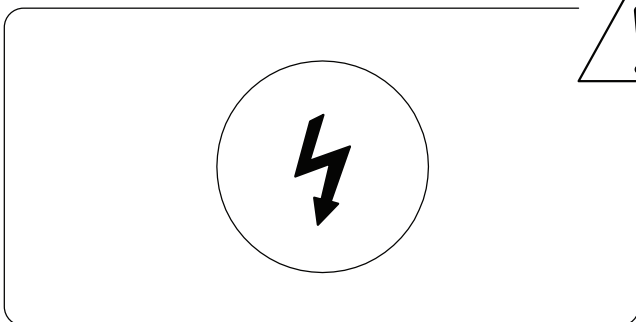


KEDAYAN



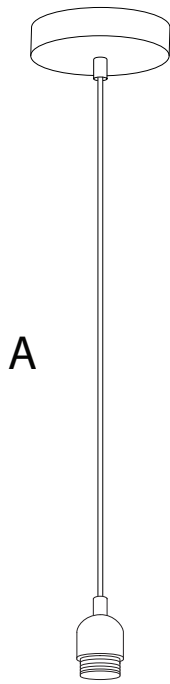


10'

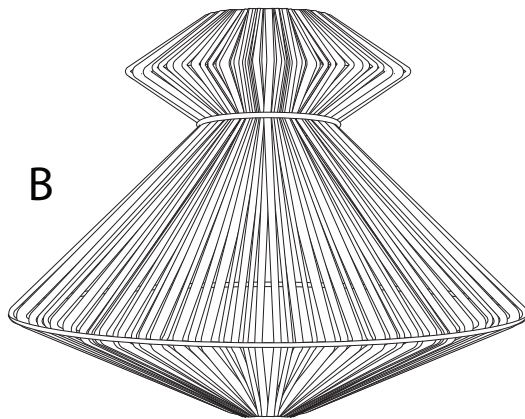


1

1/5




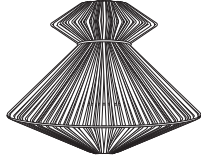

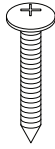
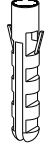
A



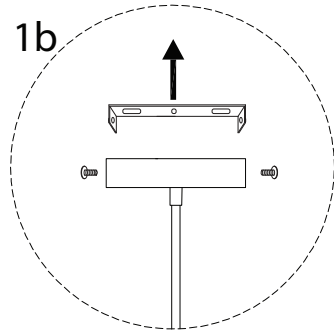
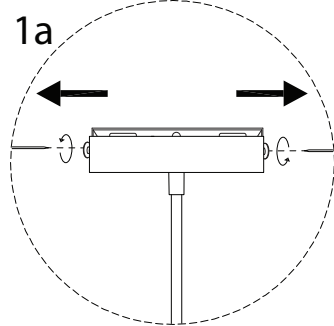
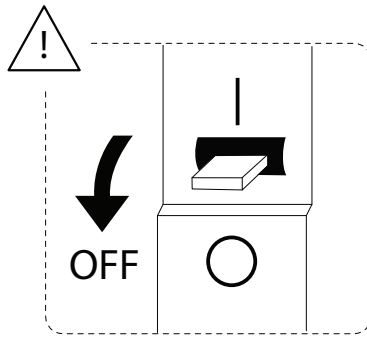
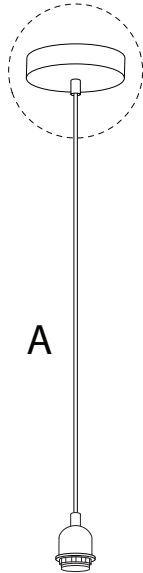
B



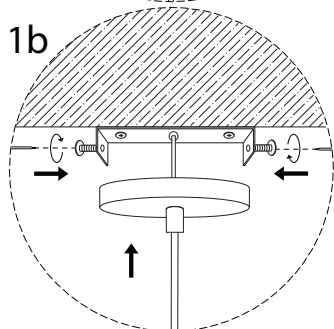
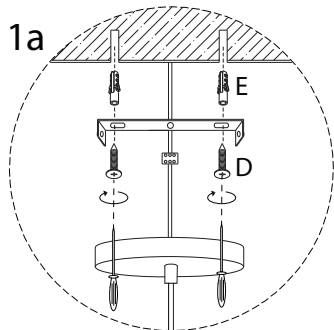
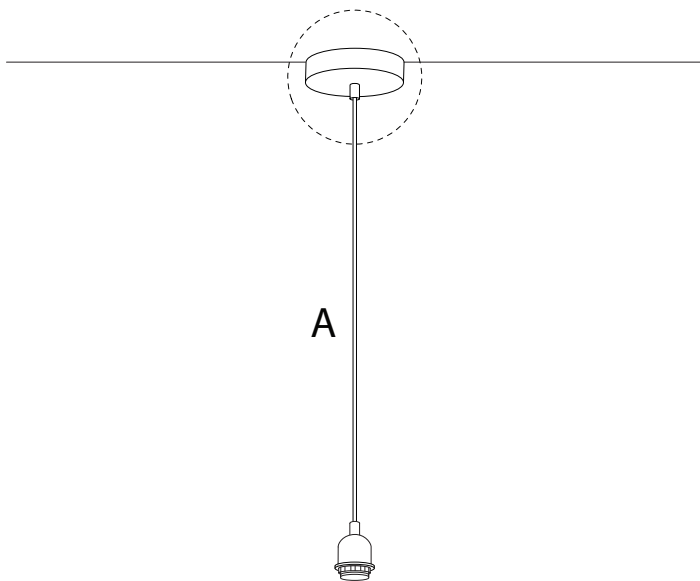
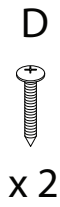
C

A	B	C	D	E
				
x 1	x 1	x 1	x 2	x 2

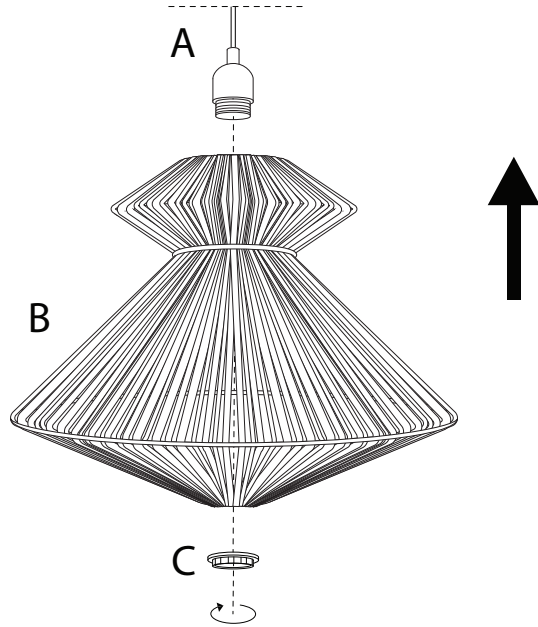
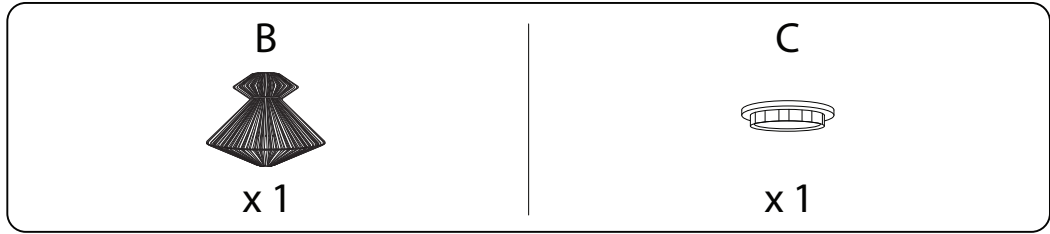
1



2



3



4



4/5

!

