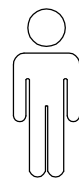
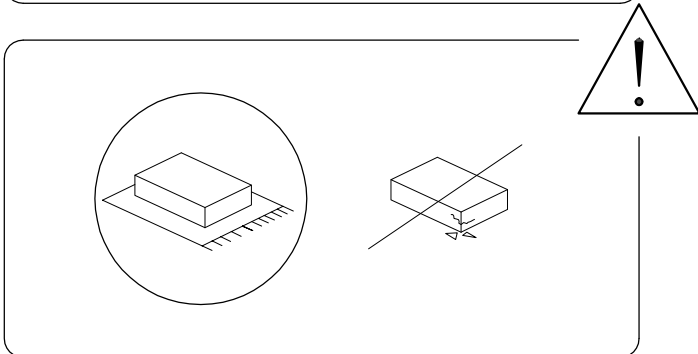
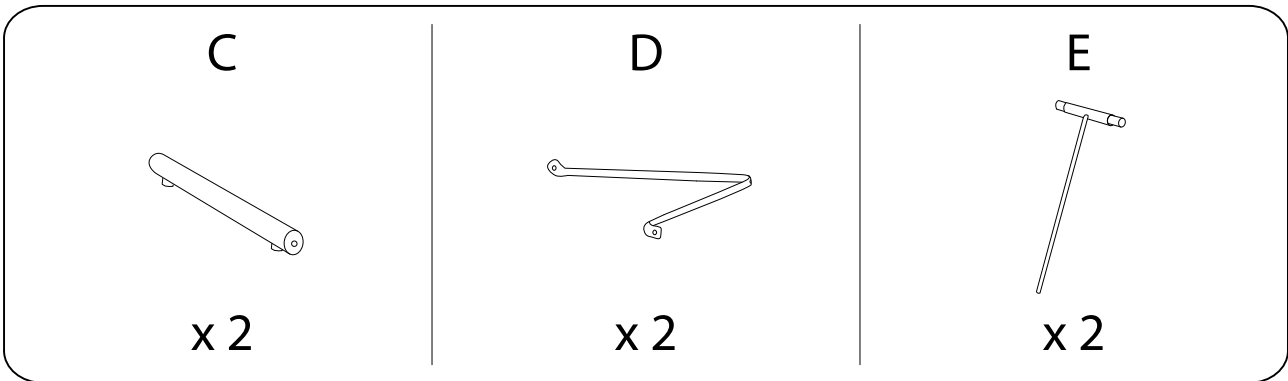
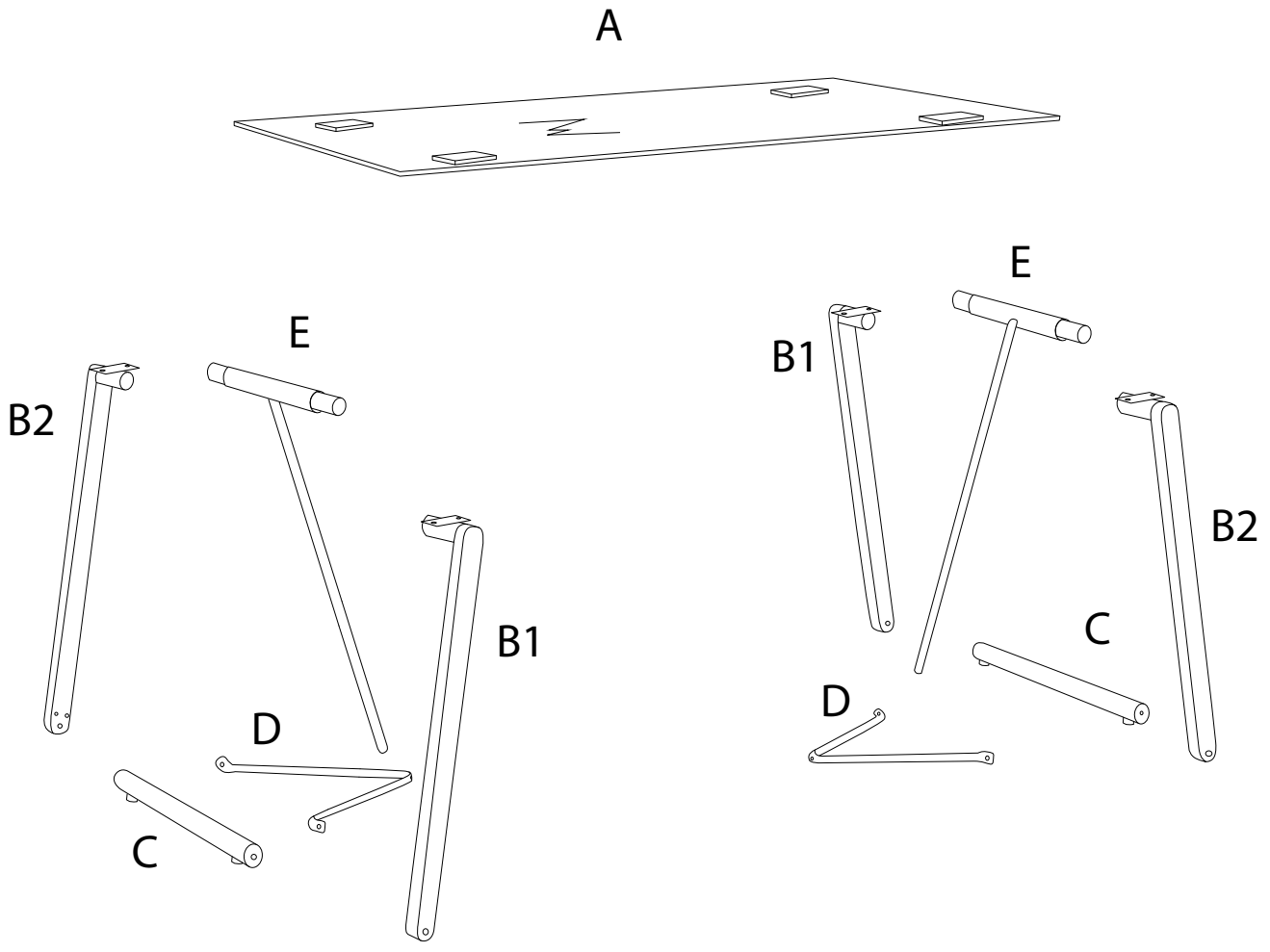
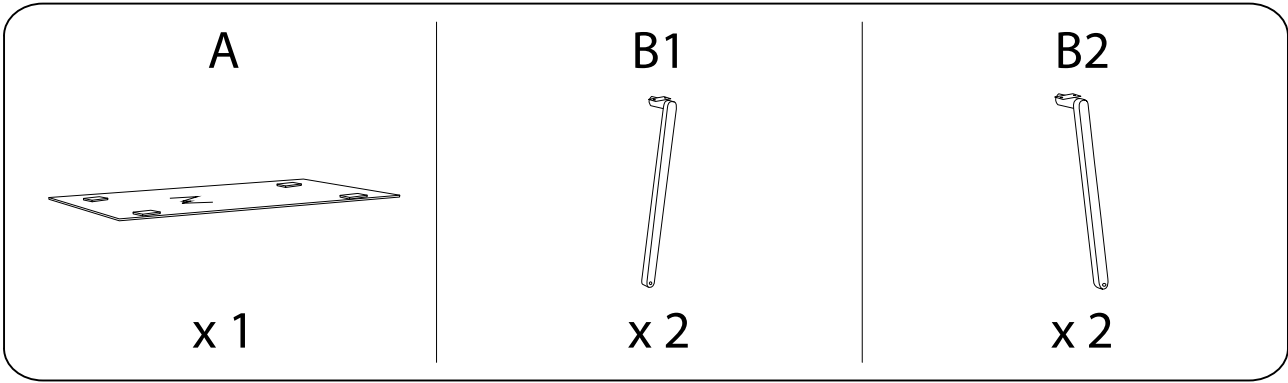


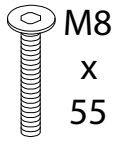
40'



2

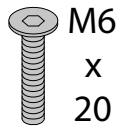


F



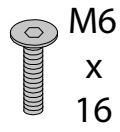
x 4

G



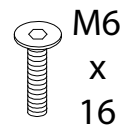
x 2

H



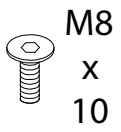
x 4

I



x 4

J



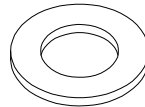
x 8

K



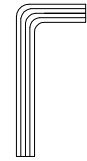
x 4

L



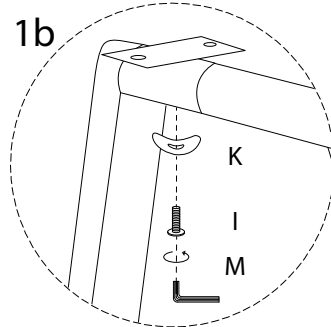
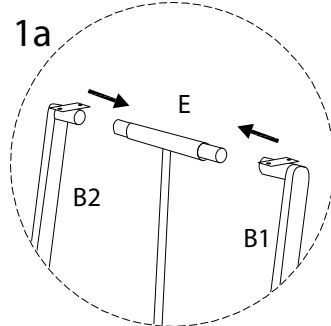
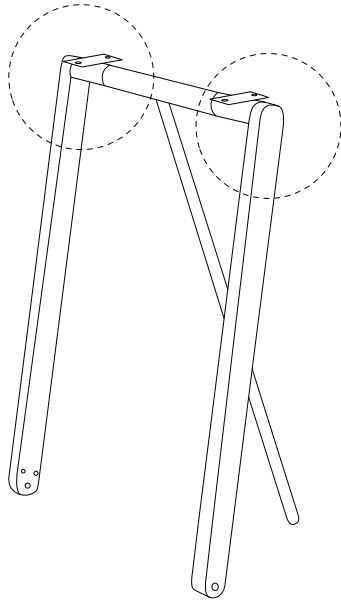
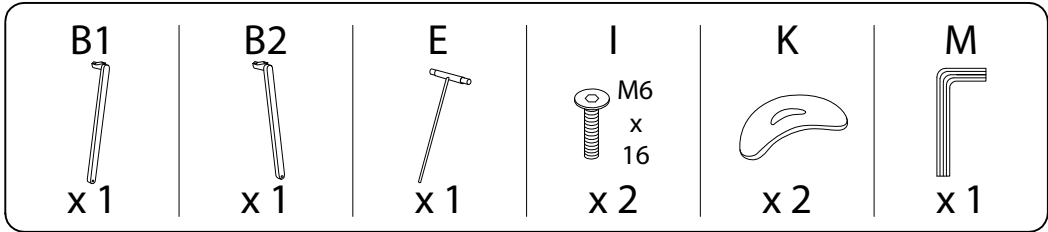
x 8

M

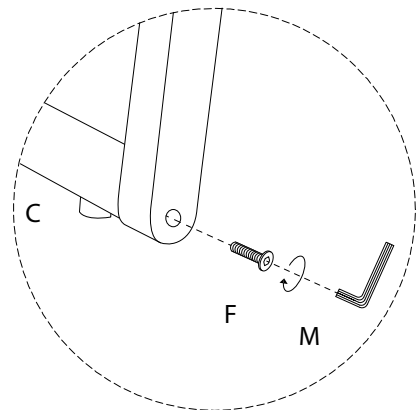
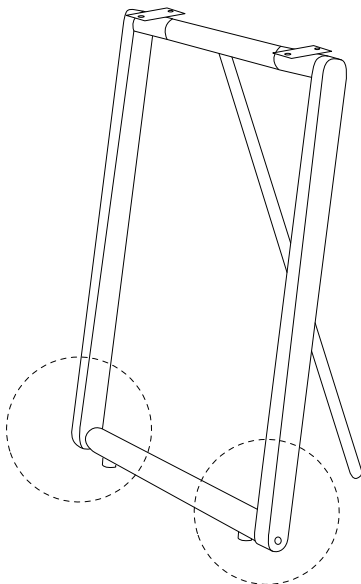
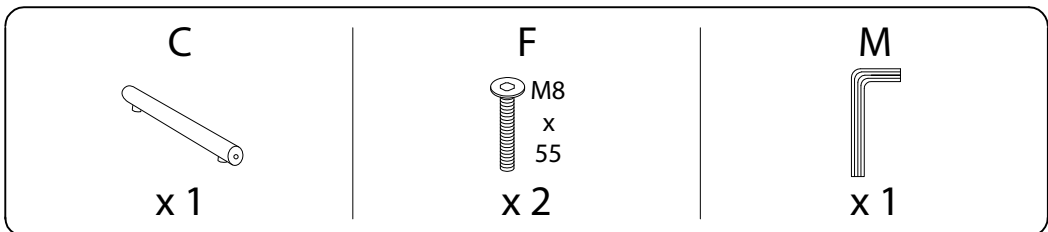


x 1




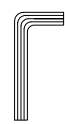
1 x 2

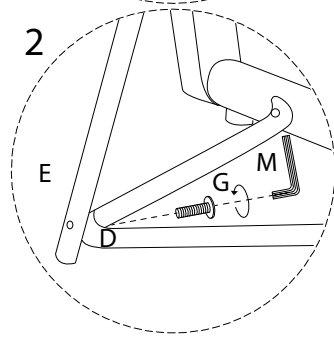
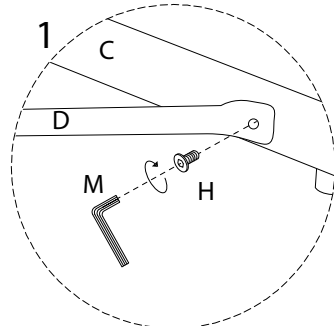
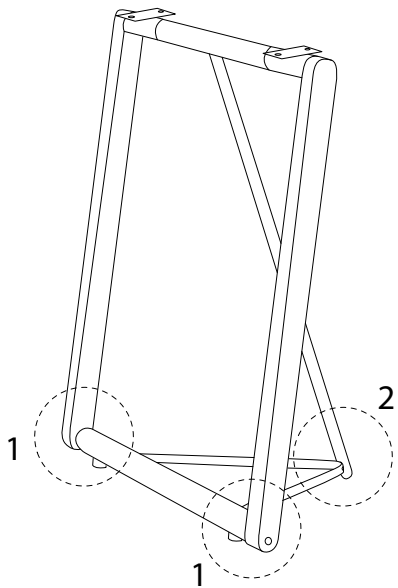


2 x 2


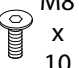
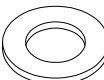
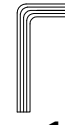


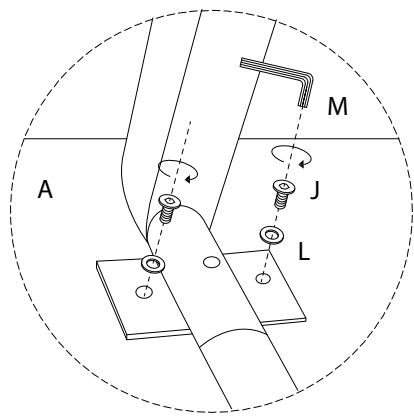
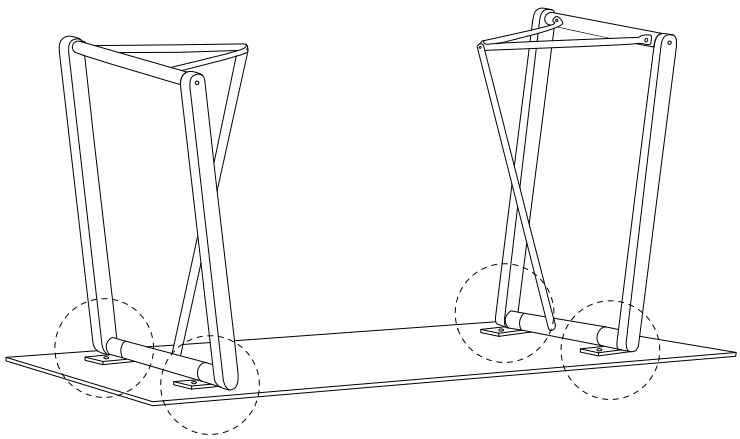
3 x 2

| | | | |
|------------------------------------------------------------------------------------------------------|------------------------------------------------------------------------------------------------------|-------------------------------------------------------------------------------------------------------|--------------------------------------------------------------------------------------------------------|
| D  x 1 | G  x 1 | H  x 2 | M  x 1 |
|------------------------------------------------------------------------------------------------------|------------------------------------------------------------------------------------------------------|-------------------------------------------------------------------------------------------------------|--------------------------------------------------------------------------------------------------------|



4

| | | | |
|--------------------------------------------------------------------------------------------------------|--------------------------------------------------------------------------------------------------------|---------------------------------------------------------------------------------------------------------|----------------------------------------------------------------------------------------------------------|
| A  x 1 | J  x 8 | L  x 8 | M  x 1 |
|--------------------------------------------------------------------------------------------------------|--------------------------------------------------------------------------------------------------------|---------------------------------------------------------------------------------------------------------|----------------------------------------------------------------------------------------------------------|



!

