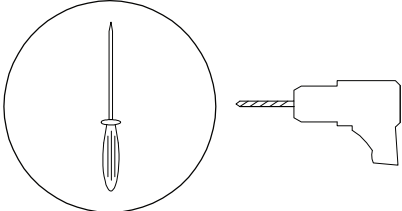

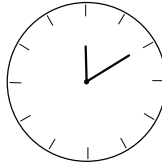
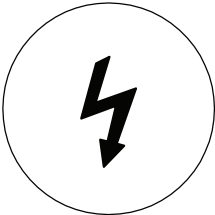




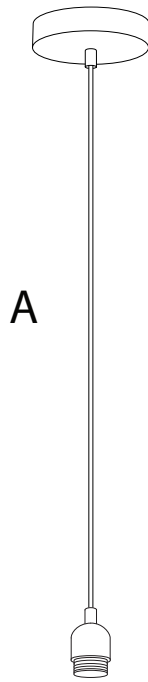
# DAMIT



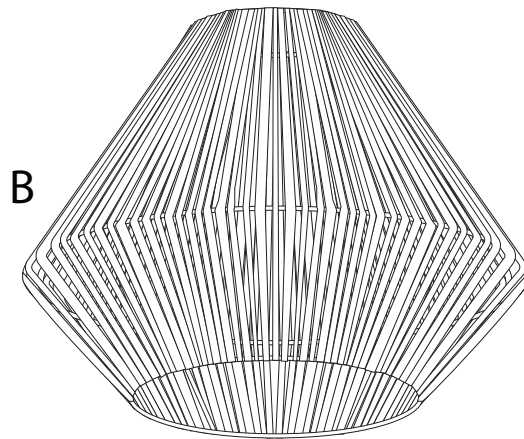


		
		<b>10'</b>
		
		<b>1</b>

1/5






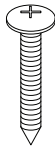
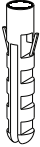
A



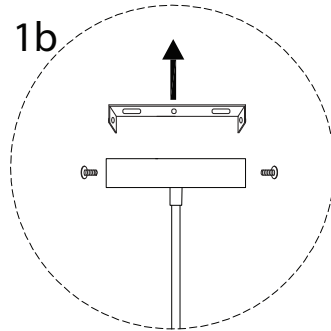
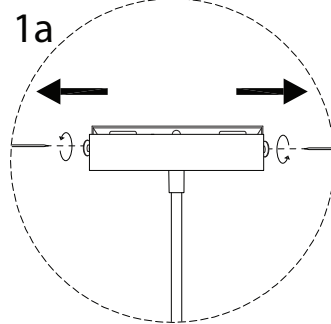
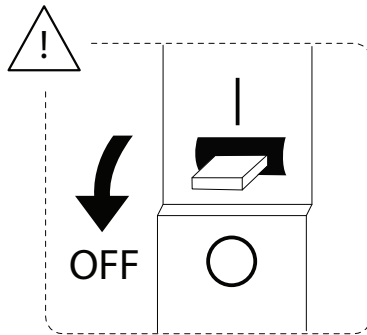
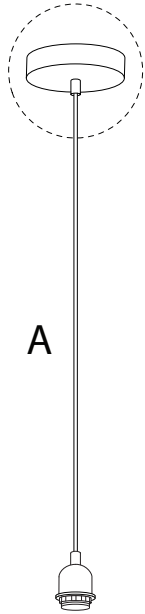
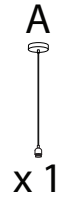
B



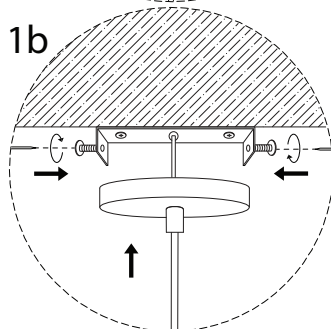
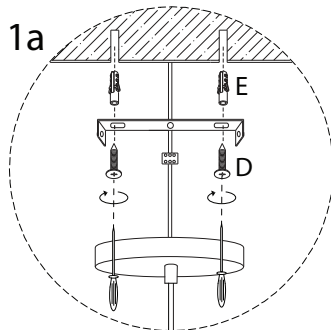
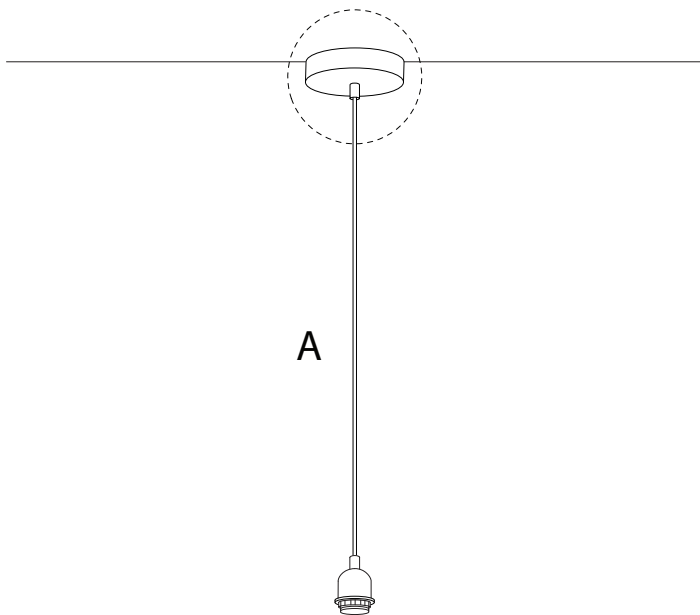
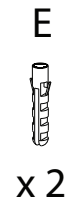
C

A	B	C	D	E
				
x 1	x 1	x 1	x 2	x 2

1



2



3

B

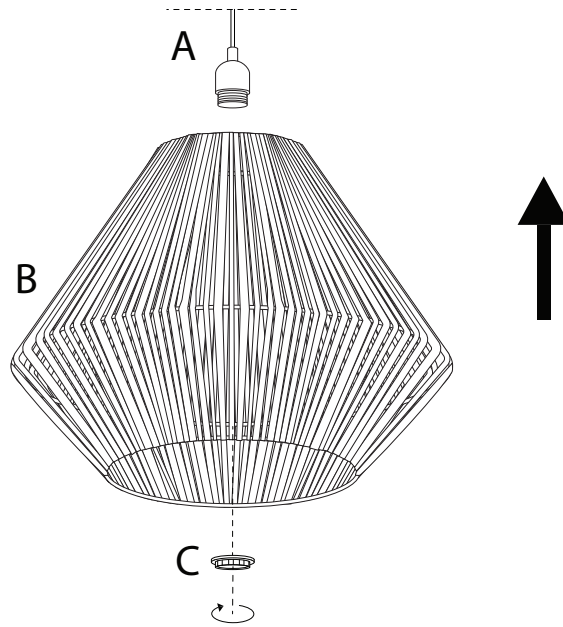


x 1

C



x 1



4



4/5

!

