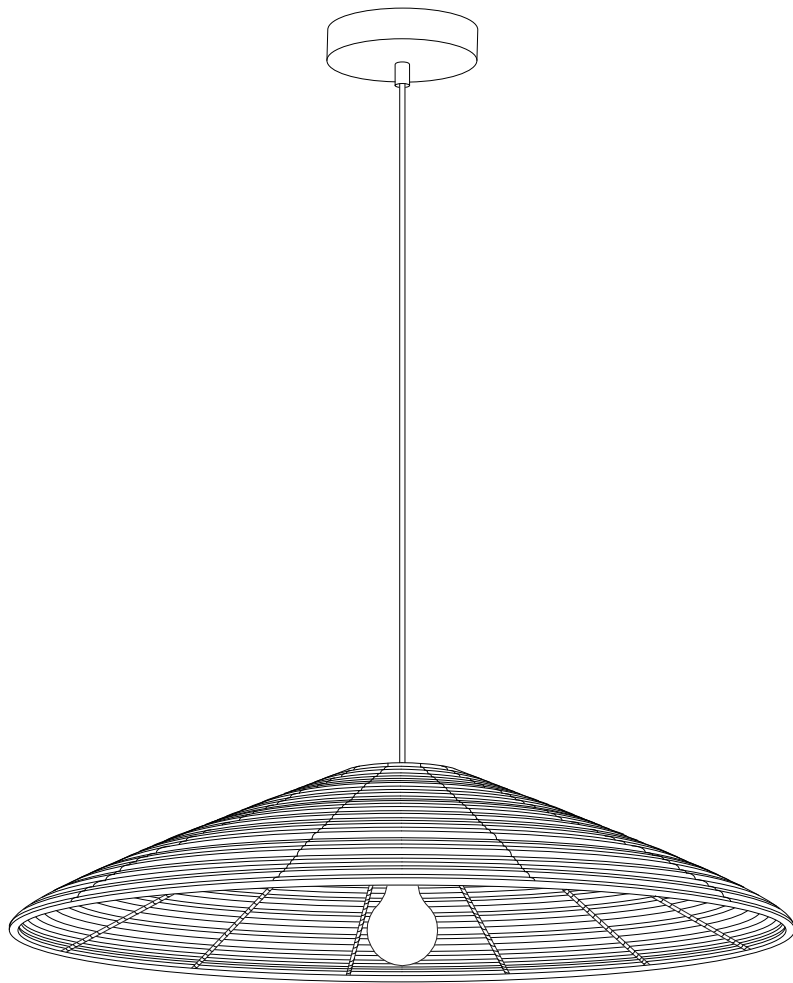
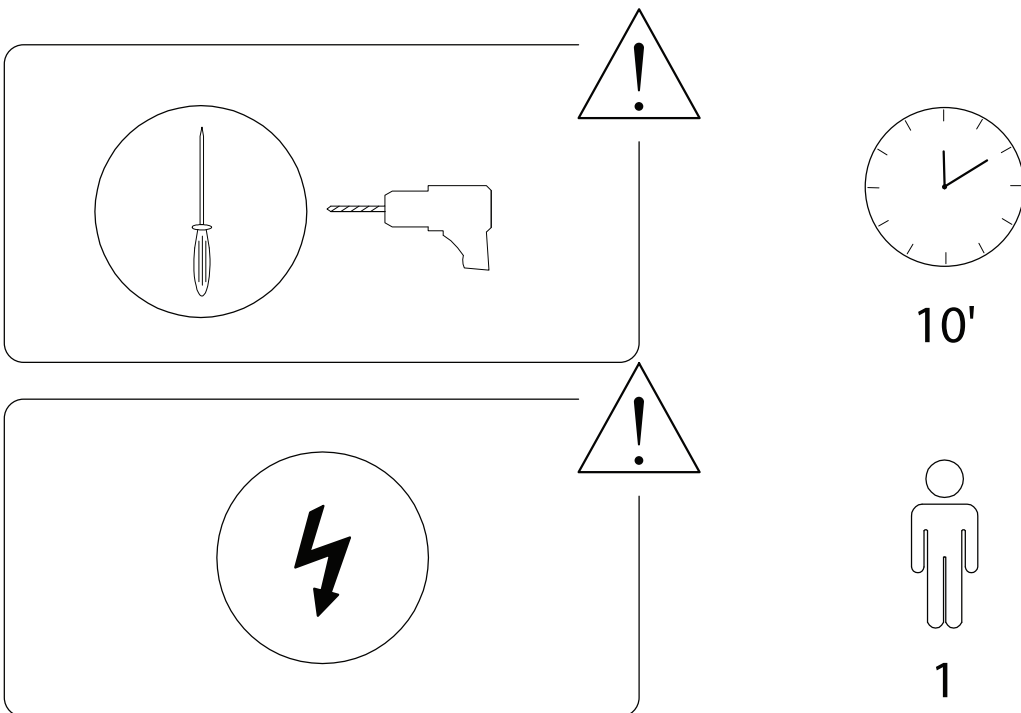
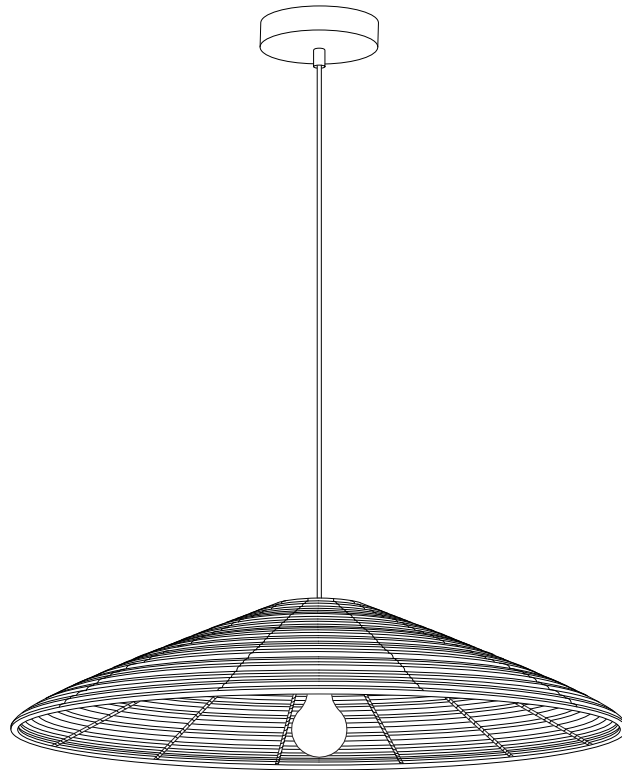
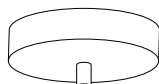


LUAGAN





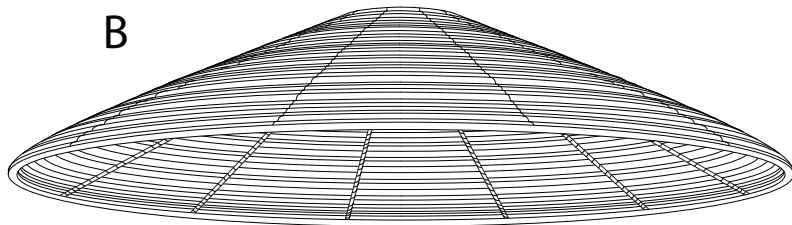
1/5



A



B



C



A



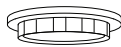
x 1

B



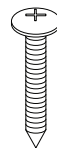
x 1

C



x 1

D



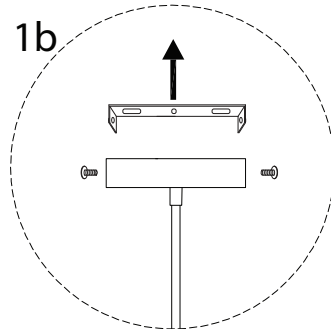
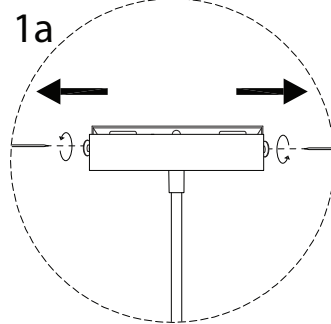
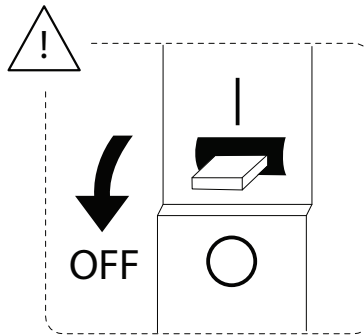
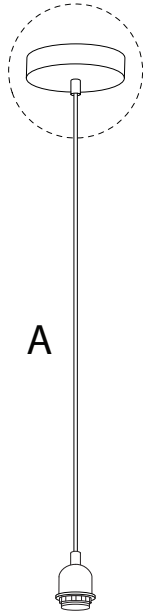
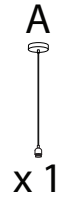
x 2

E

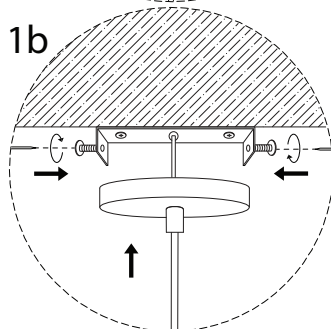
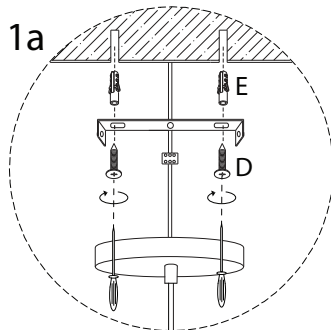
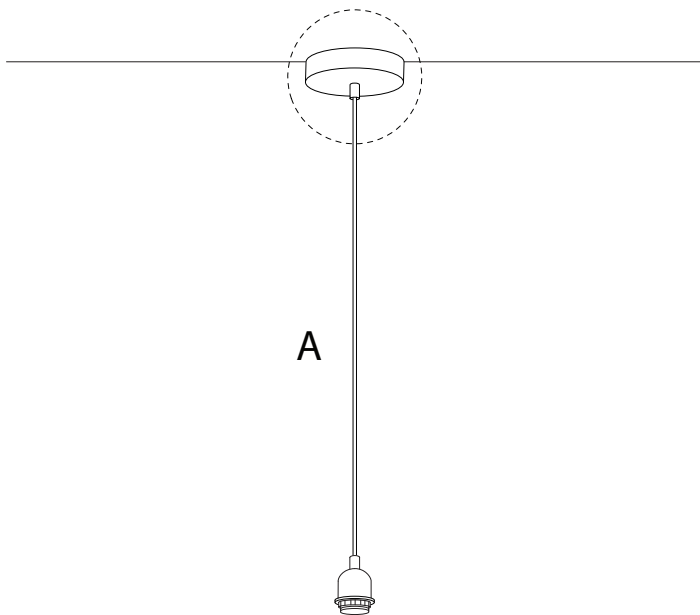
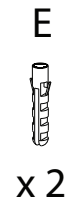


x 2

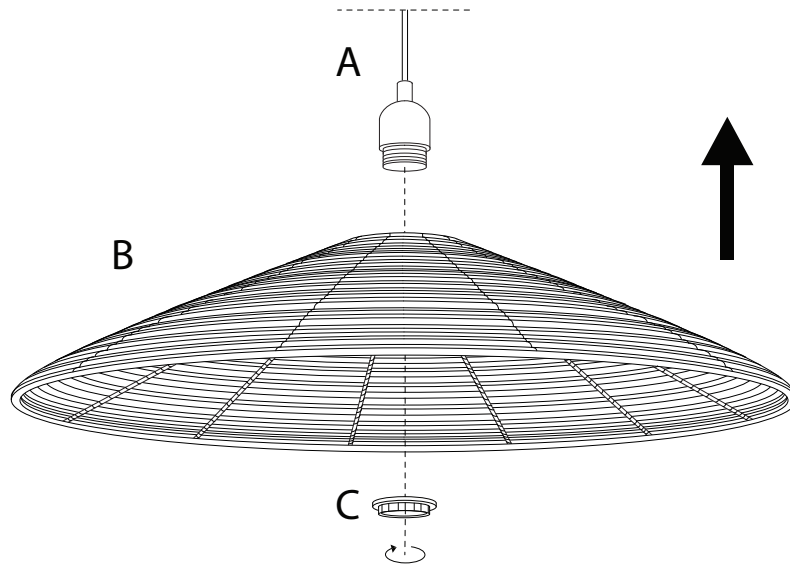
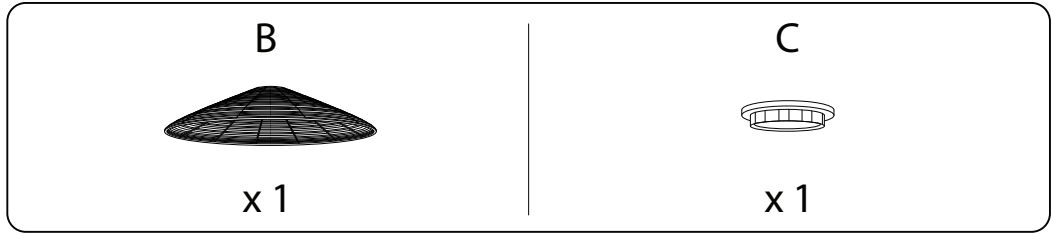
1



2



3



4



!

