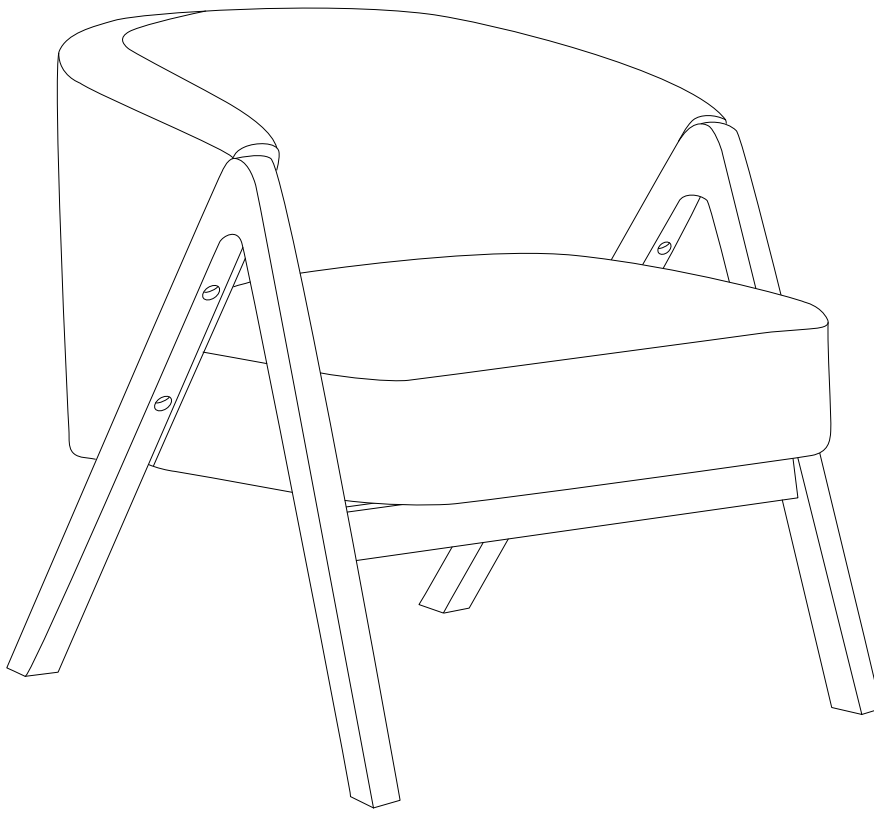
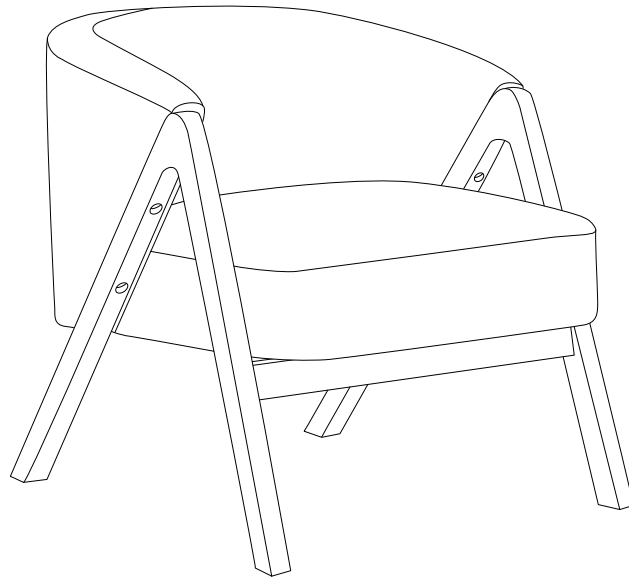
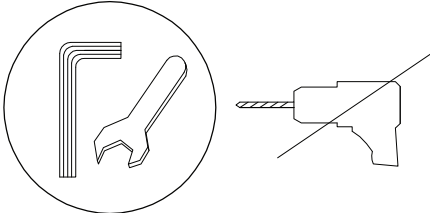

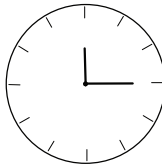
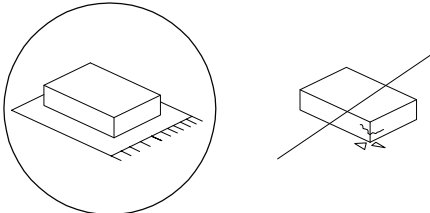




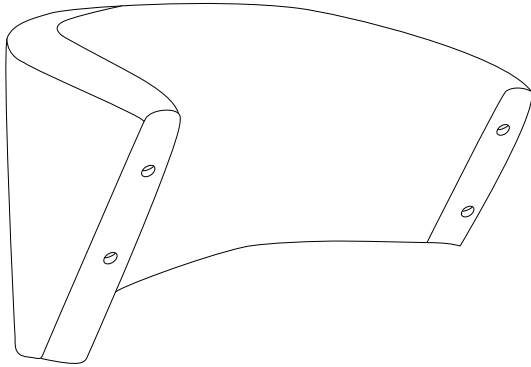
SKEI



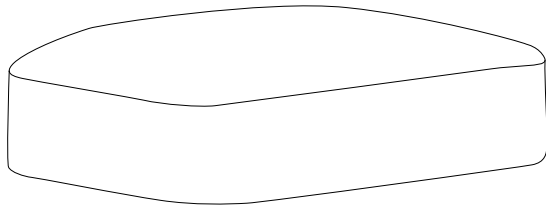


		
		15'
		
		1

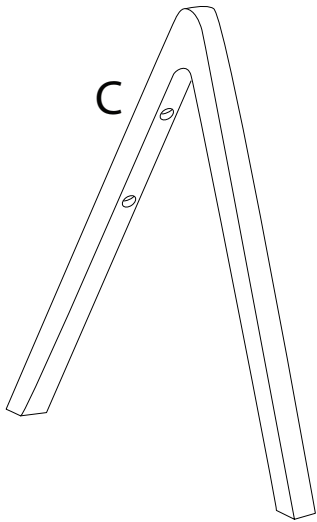
B



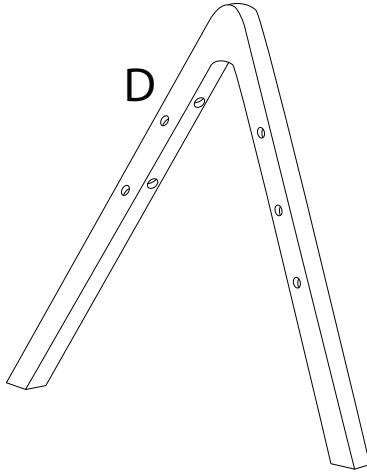
A



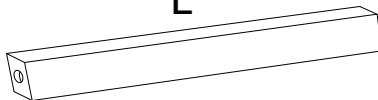
C



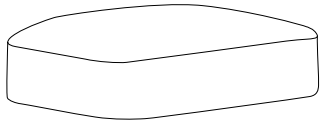
D



E

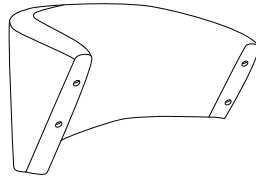


A



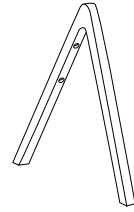
x 1

B



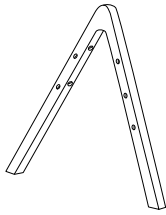
x 1

C



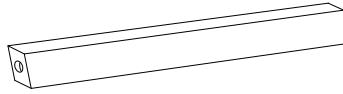
x 1

D



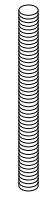
x 1

E



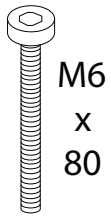
x 1

F



x 2

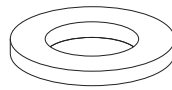
G



M6
x
80

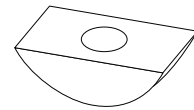
x 12

H



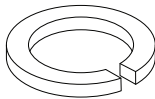
x 14

I



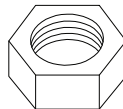
x 2

J



x 2

K



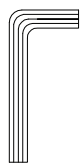
x 2

L



x 1

M



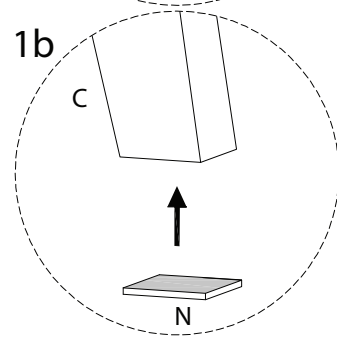
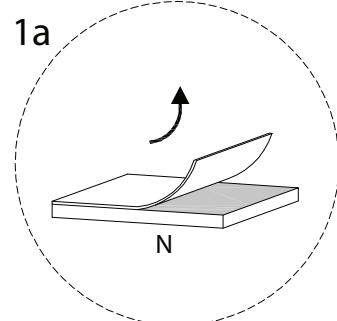
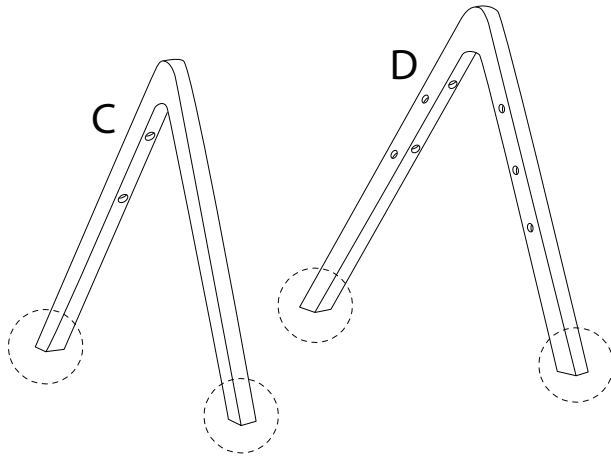
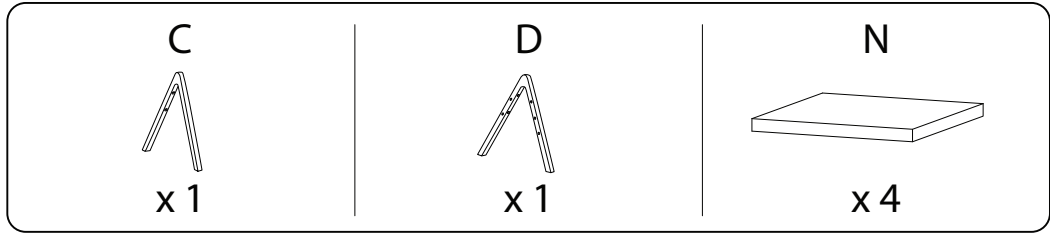
x 1

N

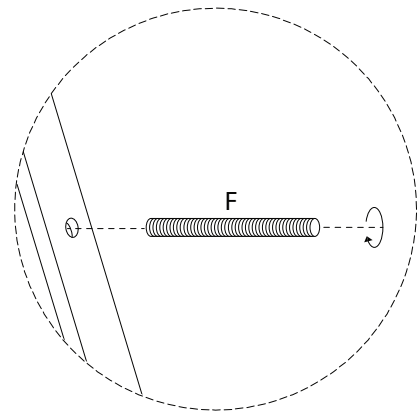
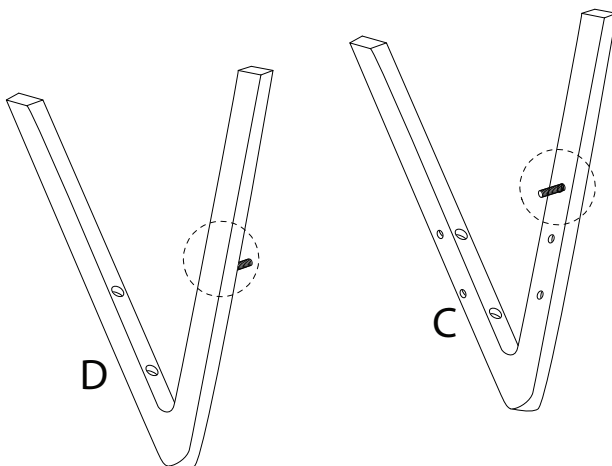
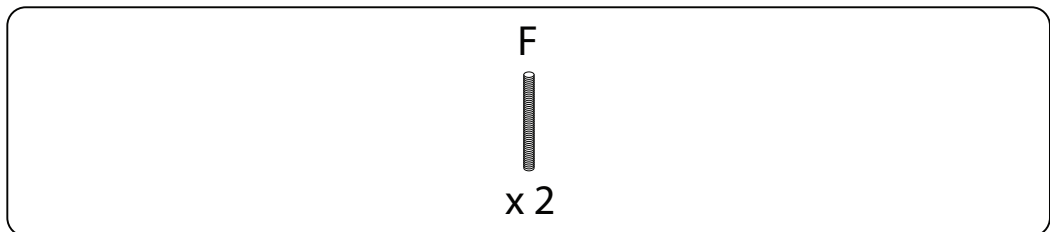


x 4

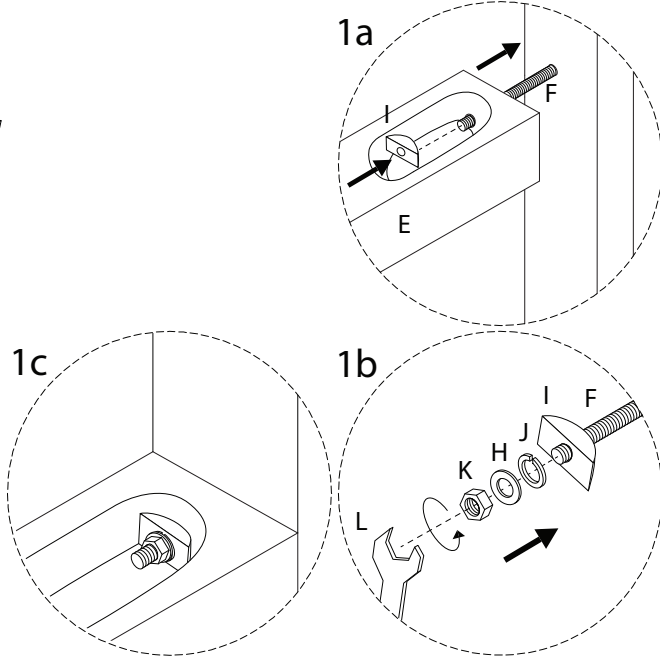
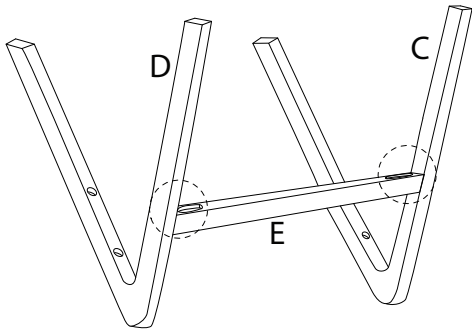
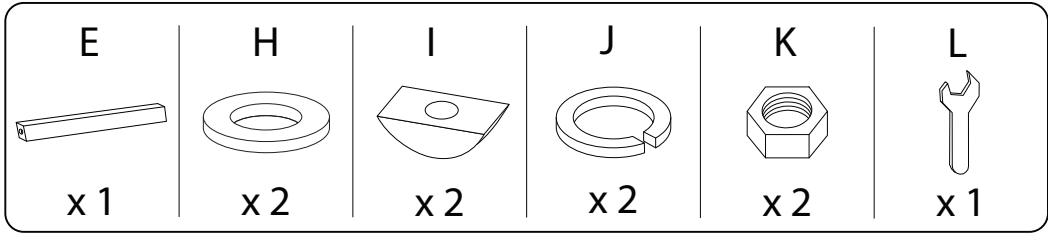
1



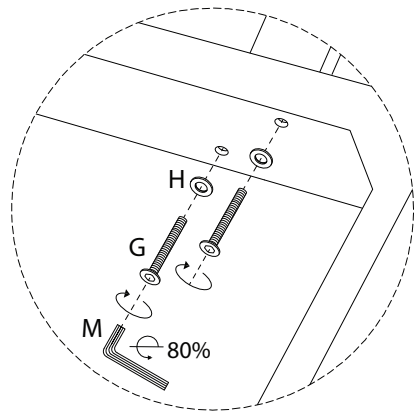
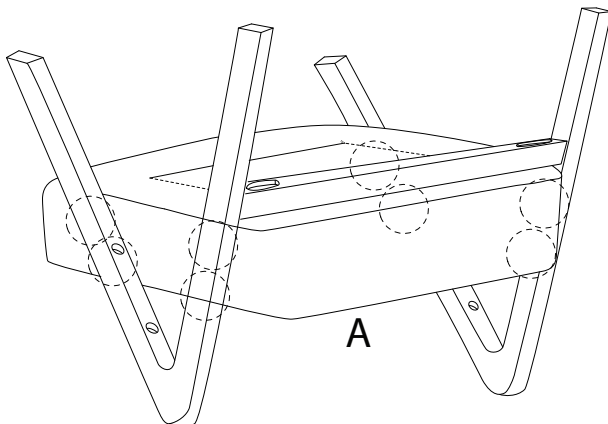
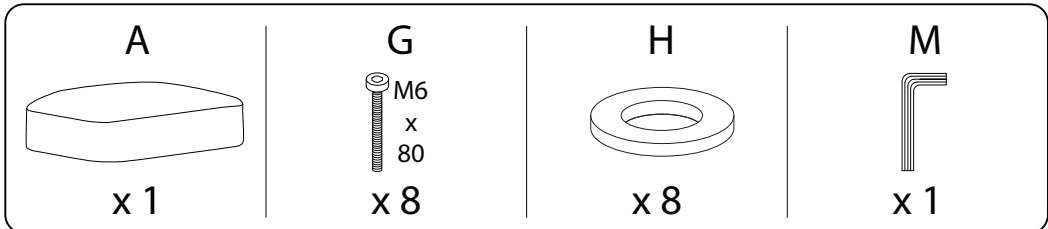
2



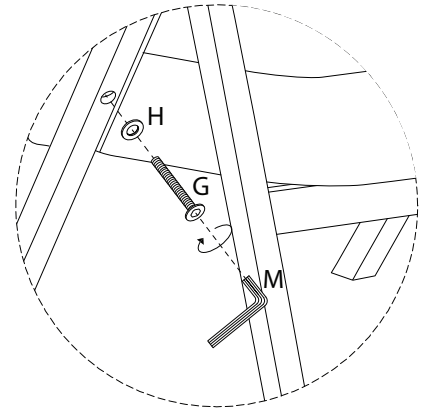
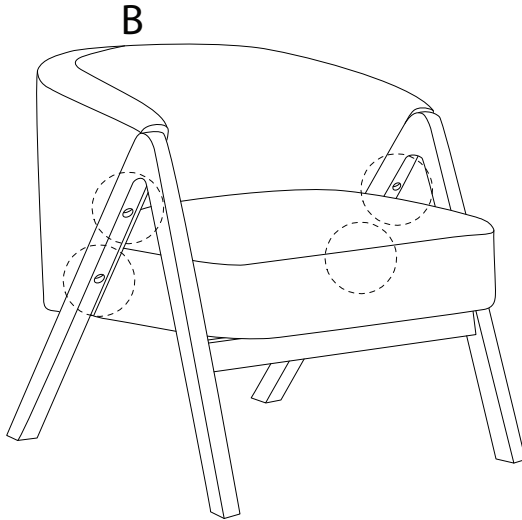
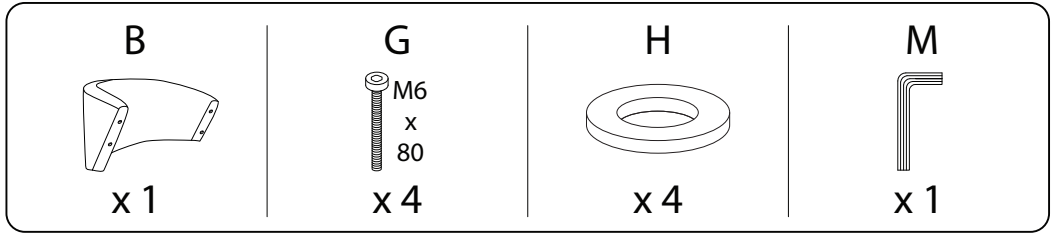
3



4



5



6

