

! (Warning icon)

⌚ (Clock icon)

40'

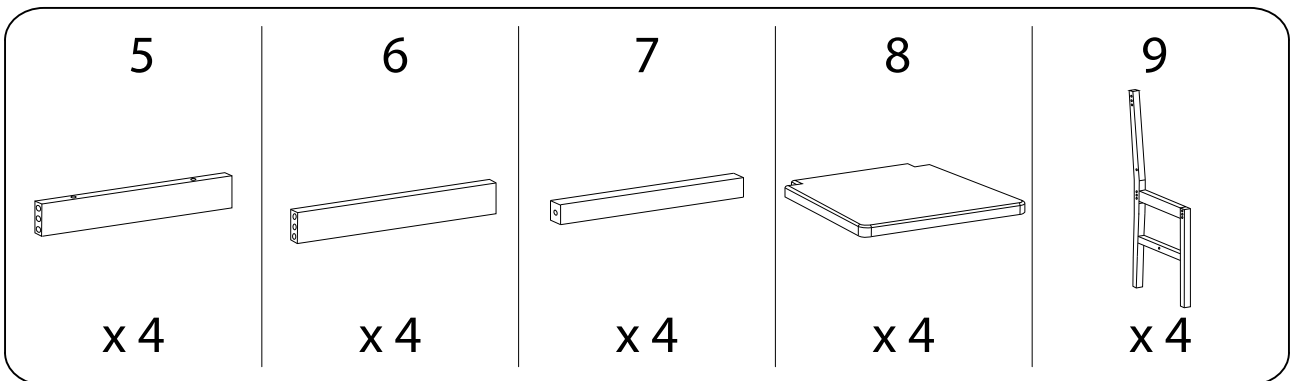
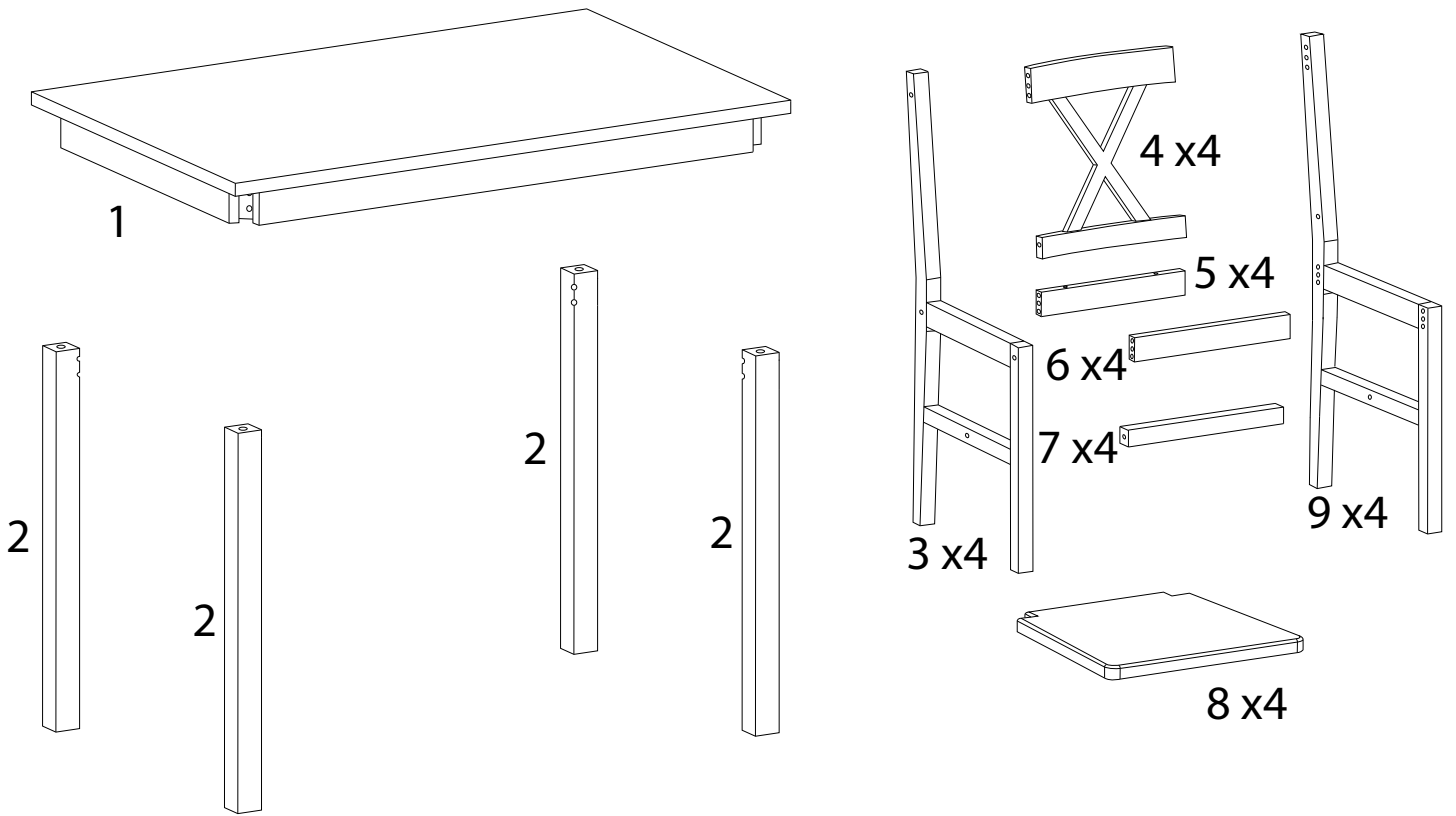
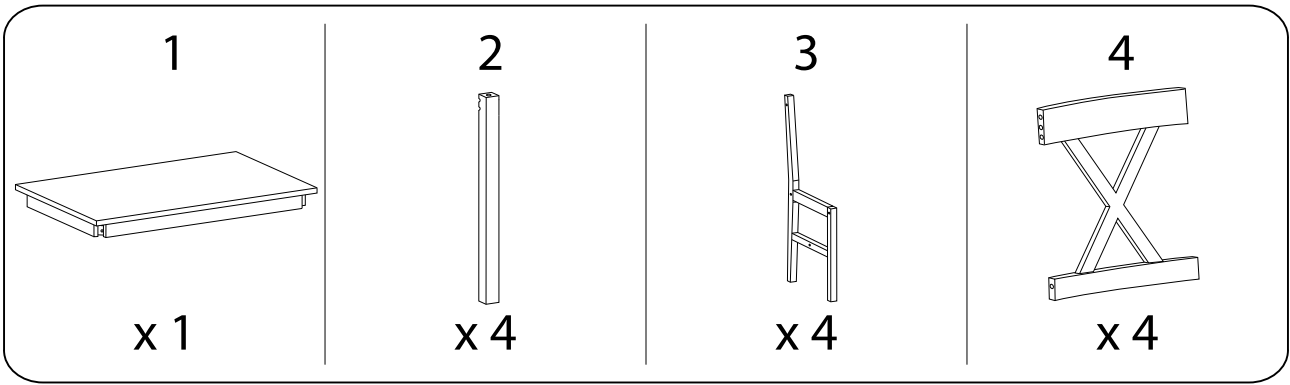
This block contains a warning icon (exclamation mark in a triangle) and a clock icon. Below the clock icon is the text "40'". To the left, a rounded rectangle contains two circular icons: one showing a screwdriver and a corner bracket, and another showing a power drill with a slash through it, indicating that a power drill should not be used.

! (Warning icon)

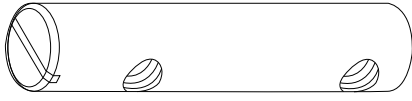
🧑 (Person icon)

2

This block contains a warning icon (exclamation mark in a triangle) and a person icon. Below the person icon is the number "2". To the left, a rounded rectangle contains two circular icons: one showing a rectangular block being placed on a textured surface, and another showing a rectangular block with a slash through it, indicating that the block should not be placed on a textured surface.

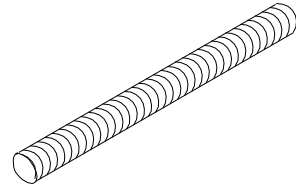


A



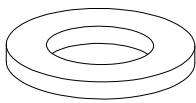
x 4

B



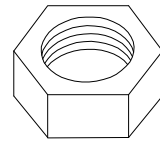
x 8

C



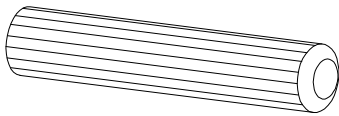
x 8

D



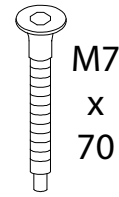
x 8

E



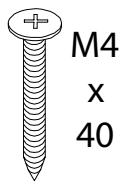
x 56

F



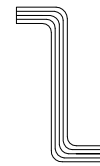
x 32

G



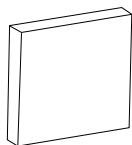
x 16

H



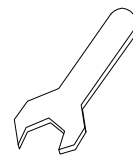
x 1

J



x 20

K



x 1

1 x4

2



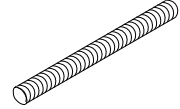
x1

A

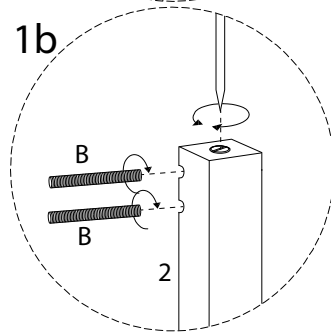
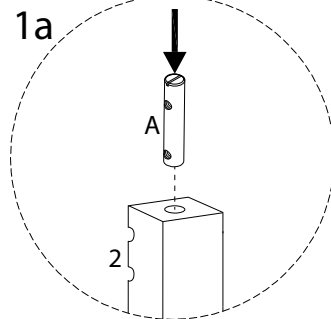
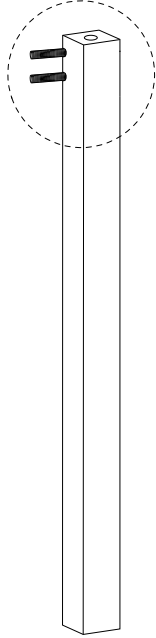


x1

B



x2



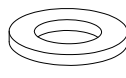
2

1



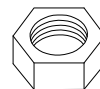
x1

C



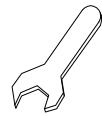
x8

D

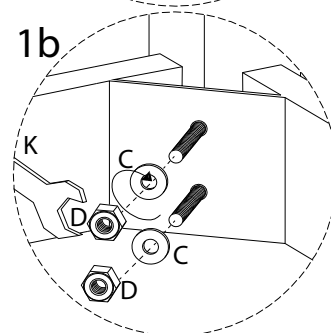
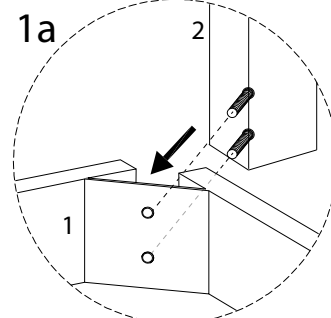
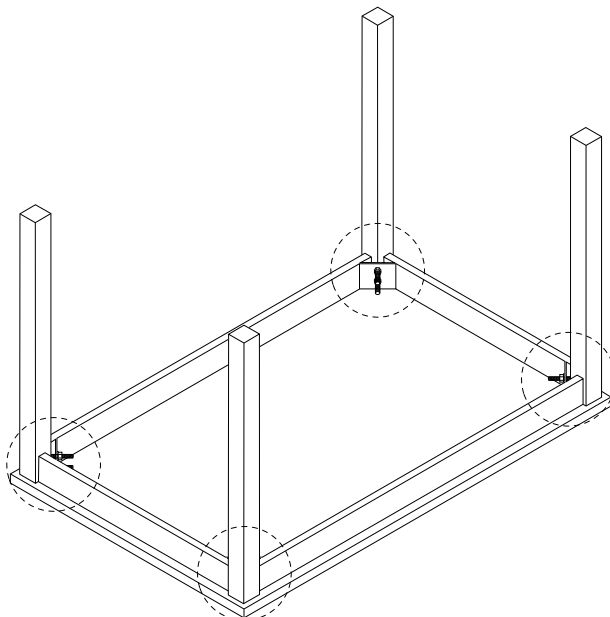


x8

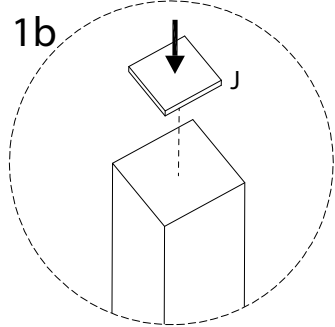
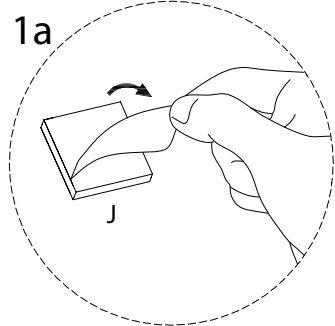
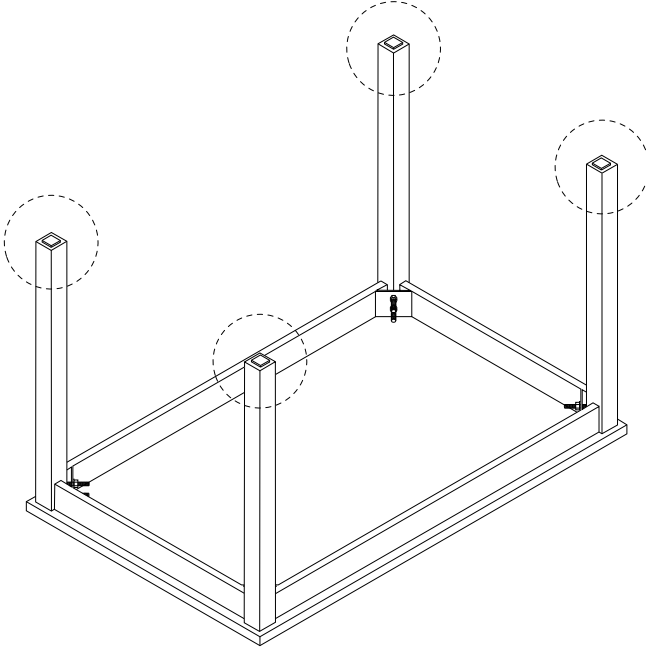
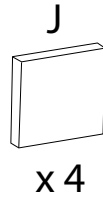
K



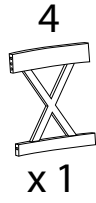
x1



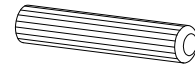
3



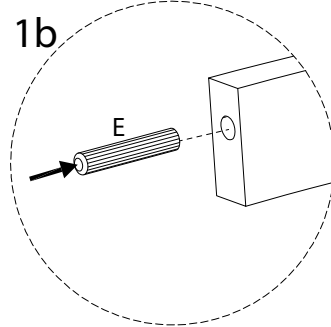
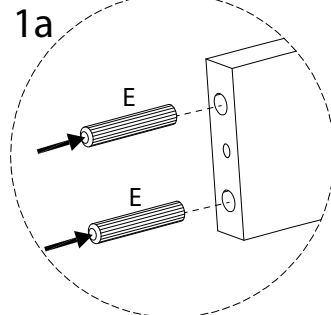
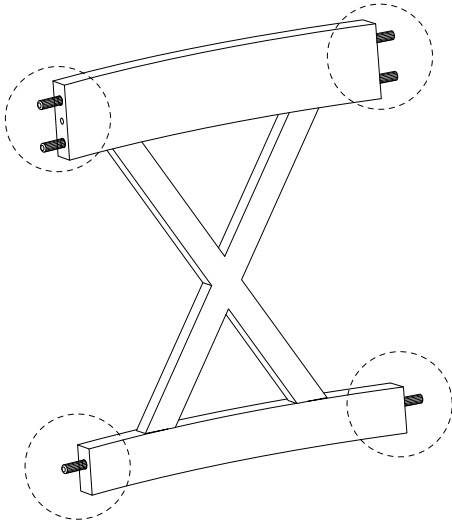
4 x4



E



x6



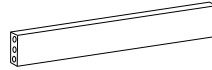
5 x4

5



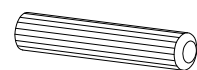
x1

6

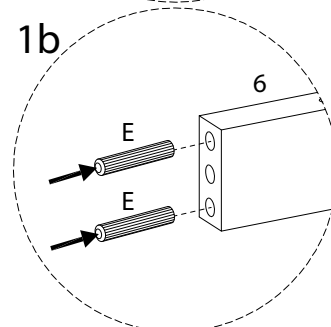
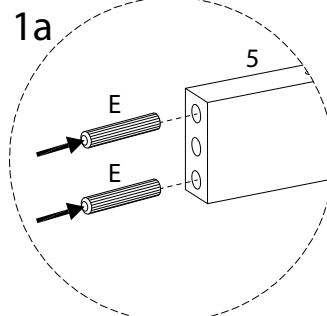
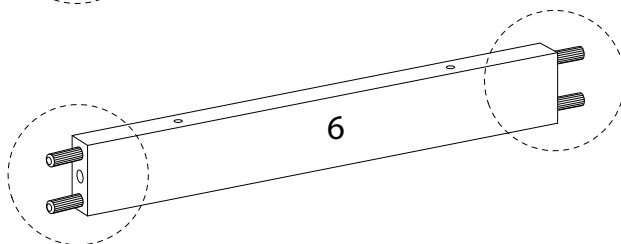
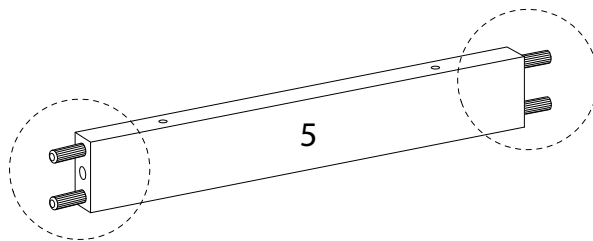


x1

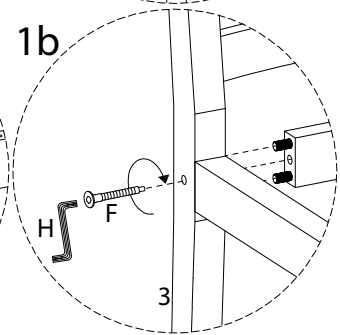
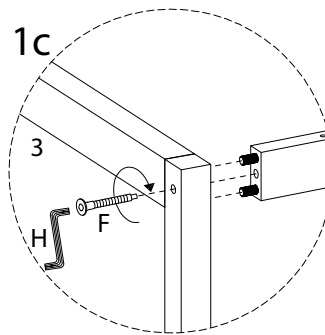
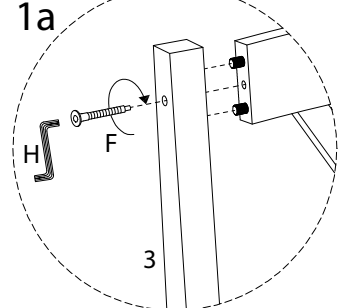
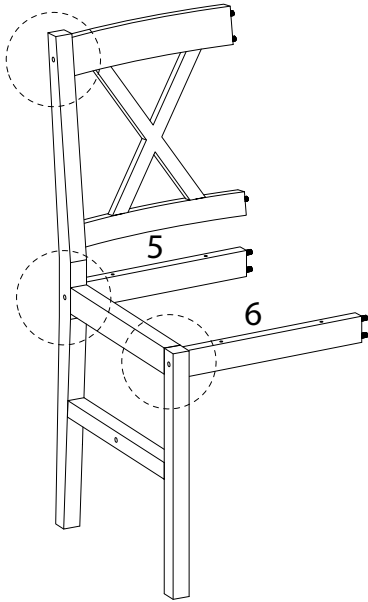
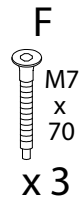
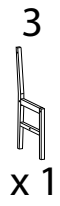
E



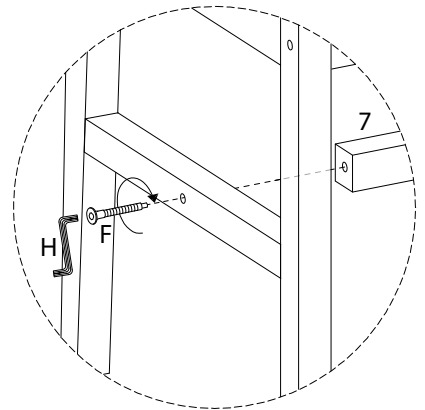
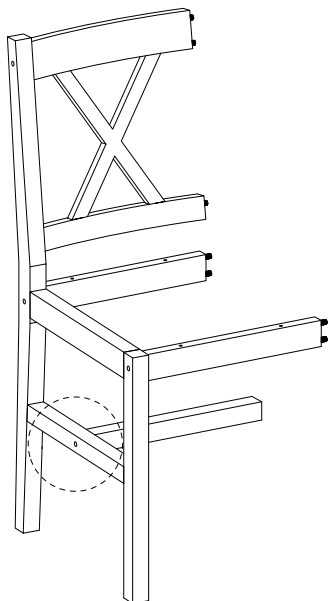
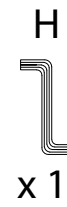
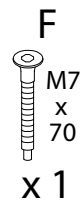
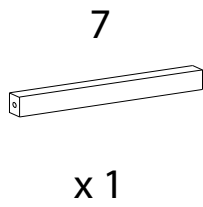
x8



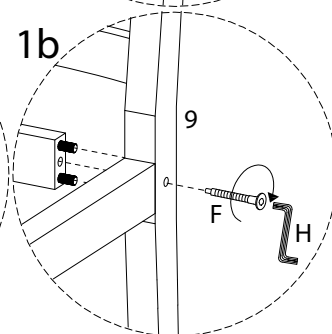
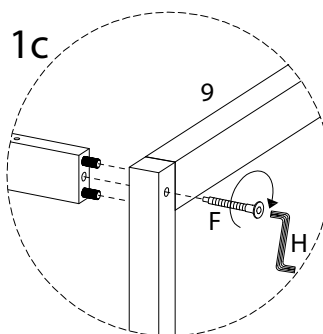
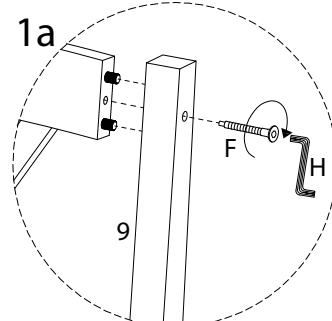
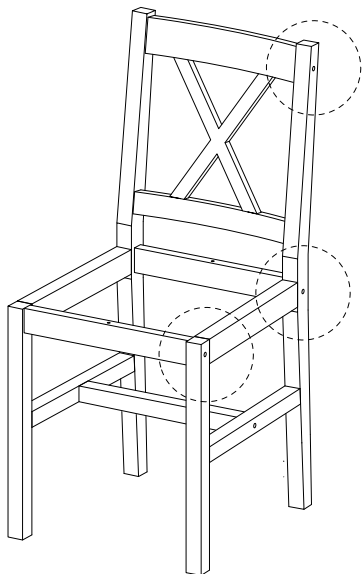
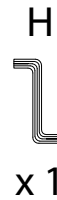
6 x4



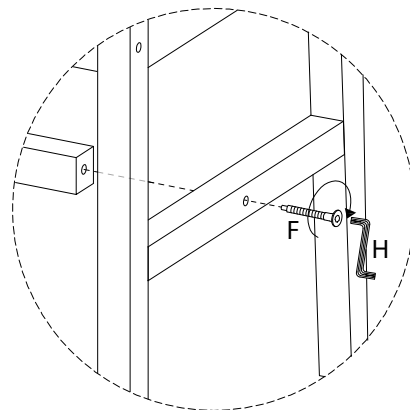
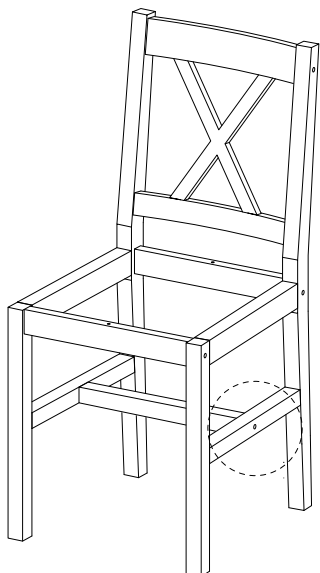
7 x4



8 x4



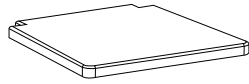
9 x4





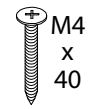
10 x4

8

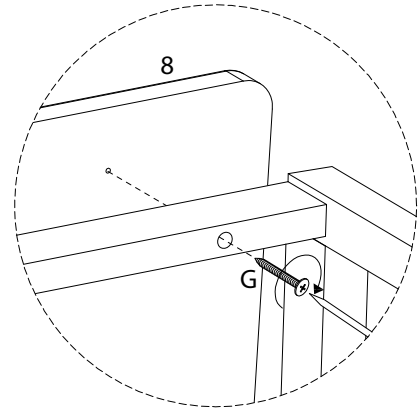
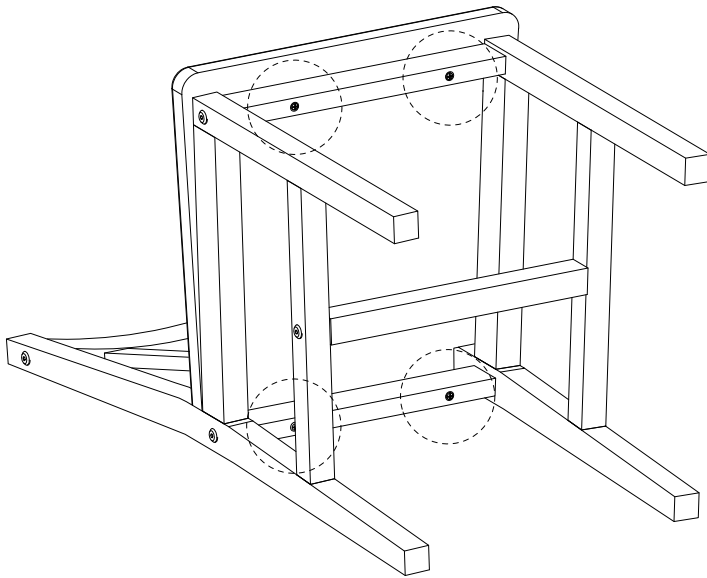


x 1

G

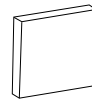


x 4



11 x4

J



x 4

