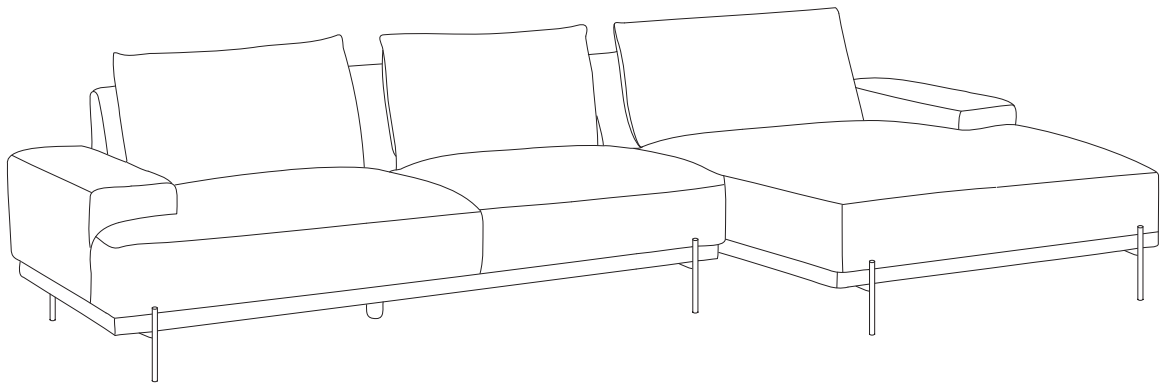
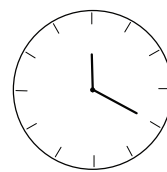
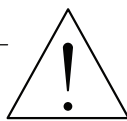
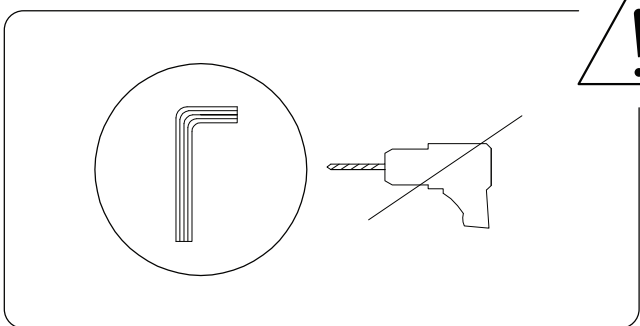
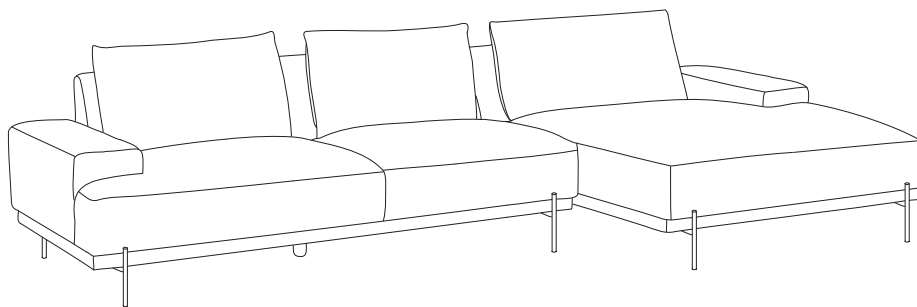
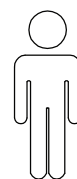
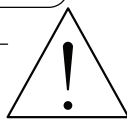
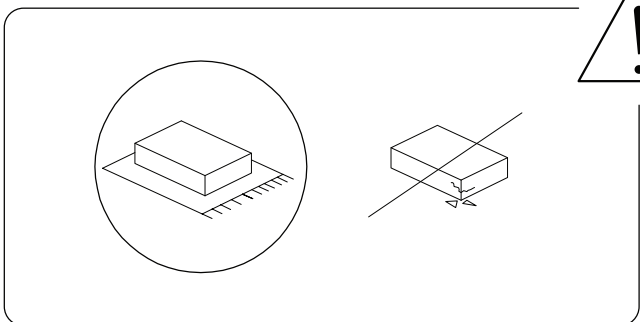


MARIFERD





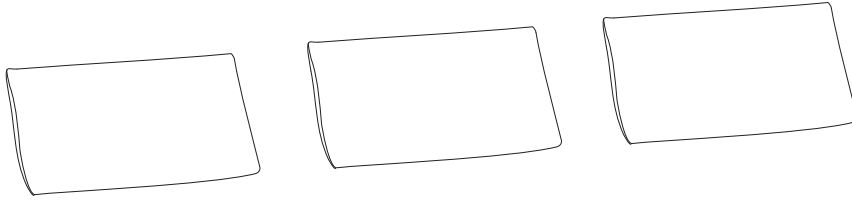
20'



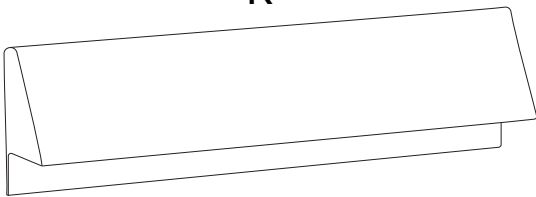
2

1/6

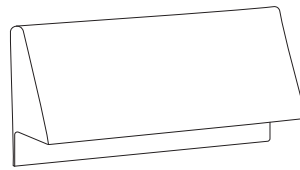
D x 3



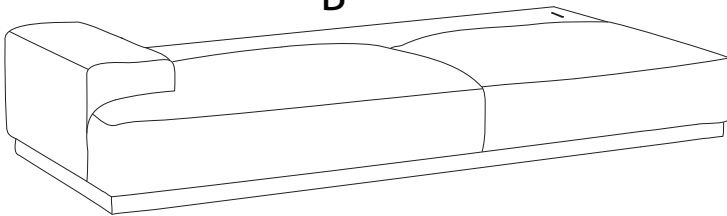
K



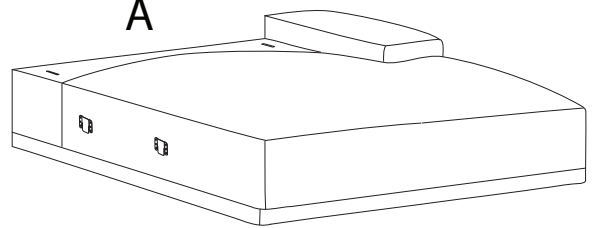
C



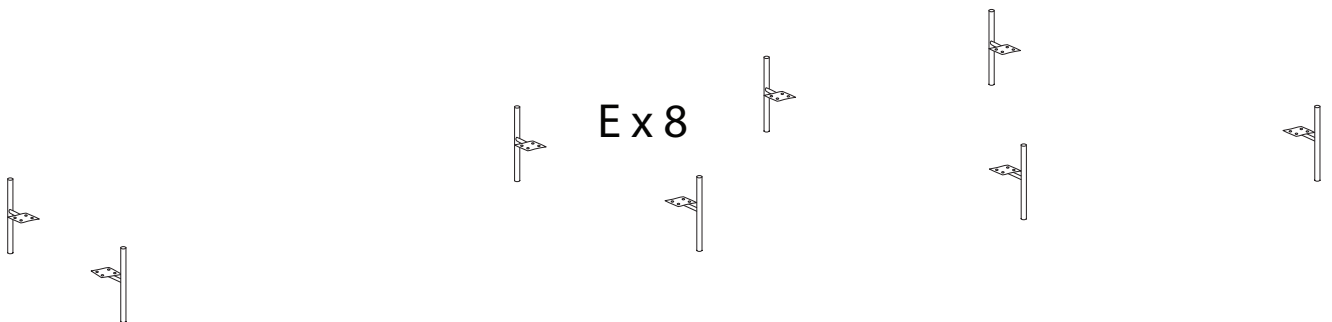
B



A



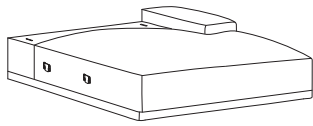
E x 8



L

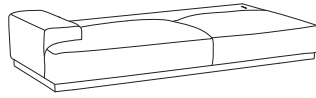


A



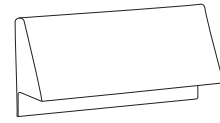
x 1

B



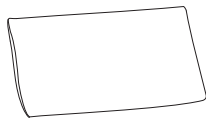
x 1

C



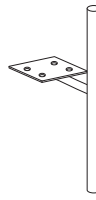
x 1

D



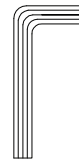
x 3

E



x 8

F



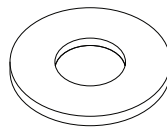
x 1

G



x 32

H



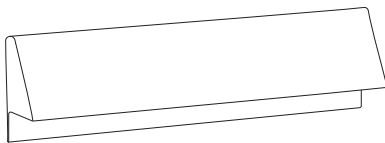
x 32

J



x 4

K



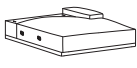
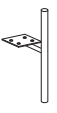
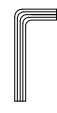


x 1

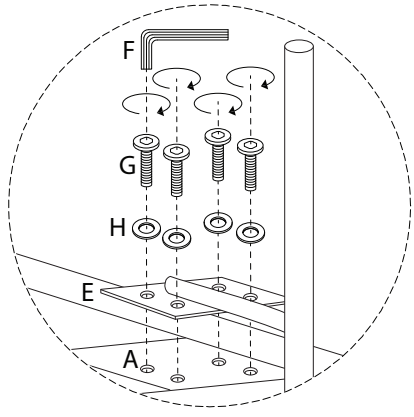
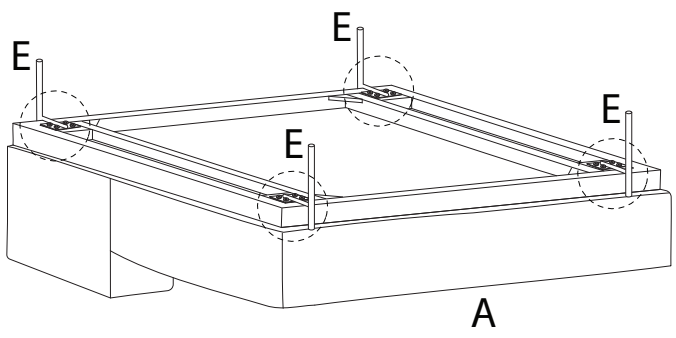
L



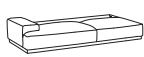
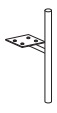
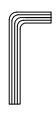
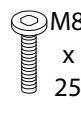
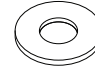

x 1

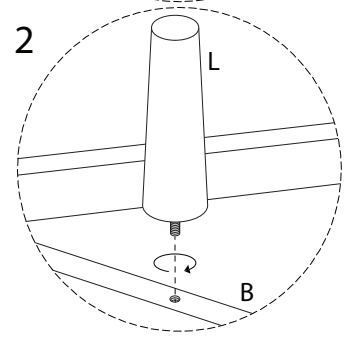
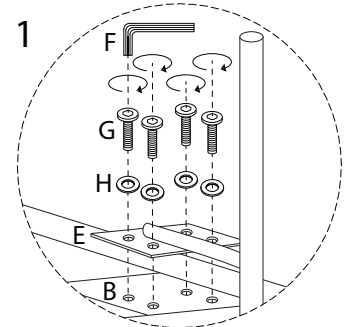
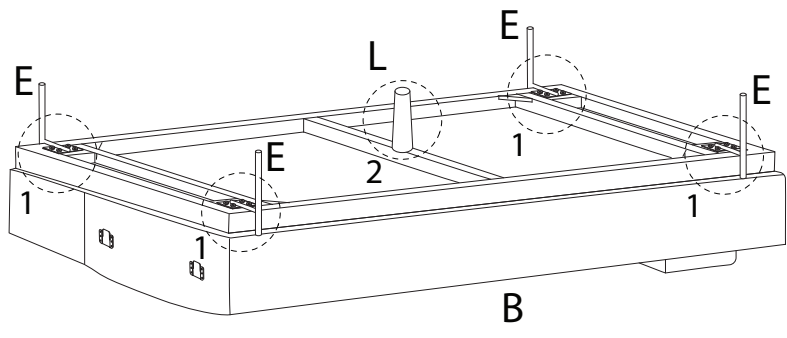
1

A	E	F	G	H
				
x 1	x 4	x 1	x 16	x 16

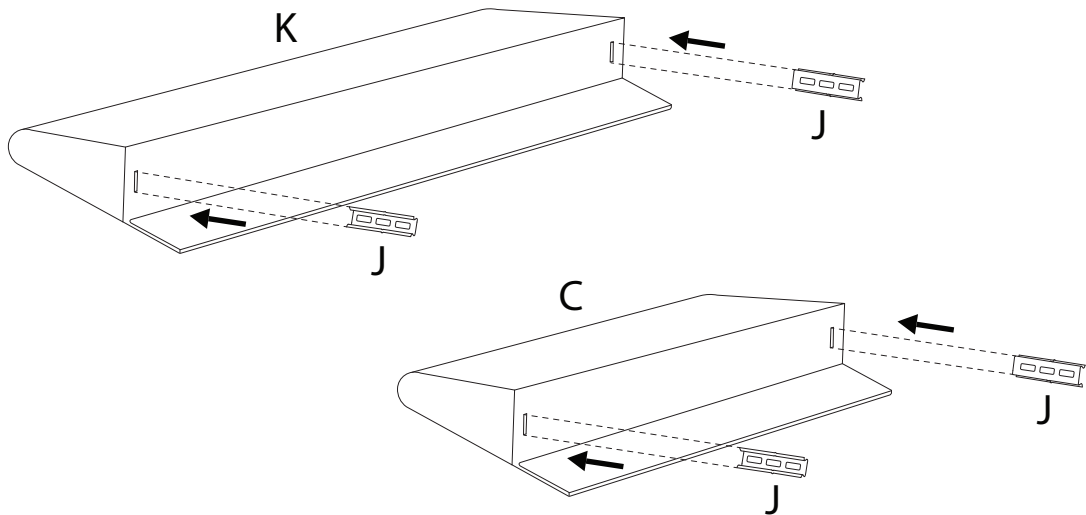
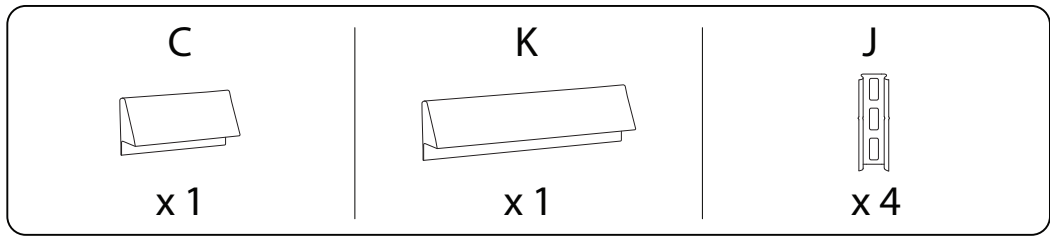


2

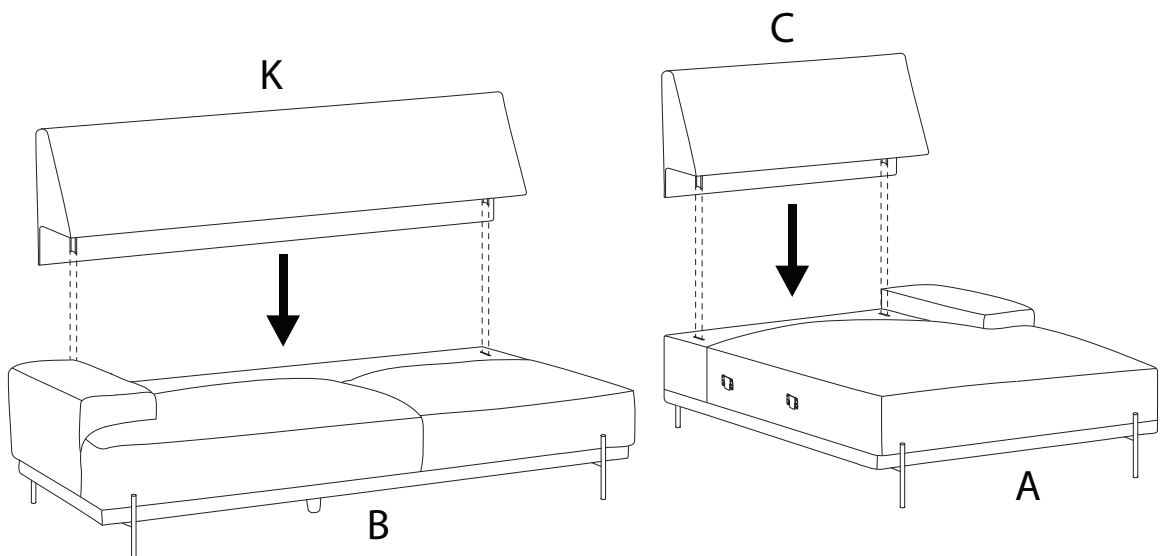
B	E	F	G	H	L
					
x 1	x 4	x 1	x 16	x 16	x 1



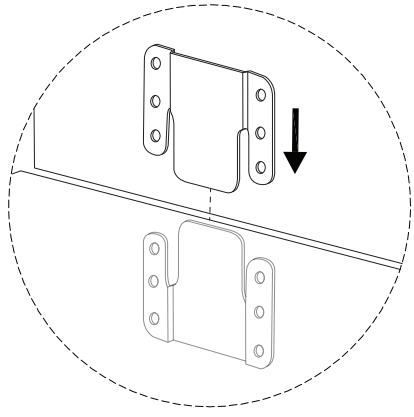
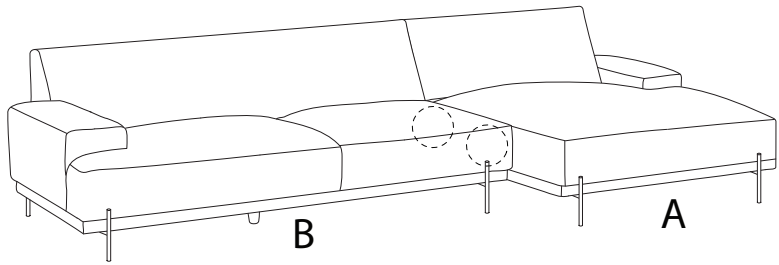
3



4



5



6

