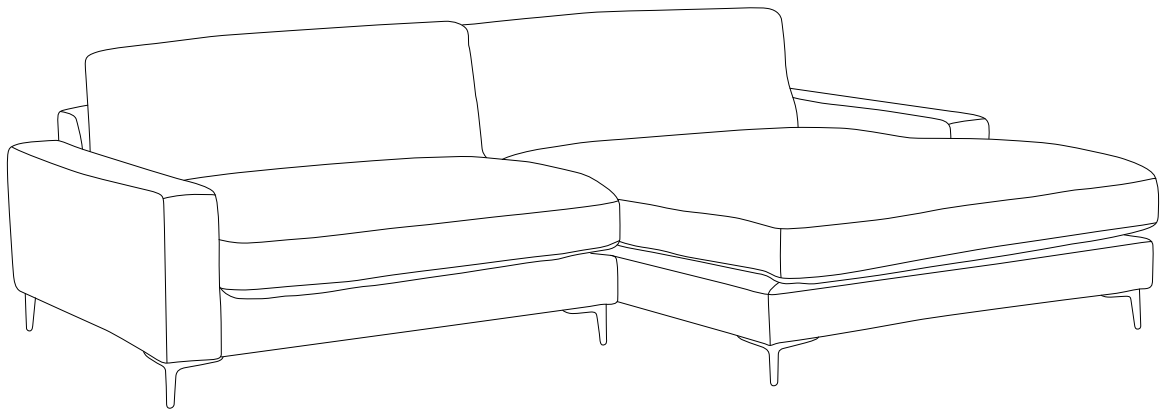
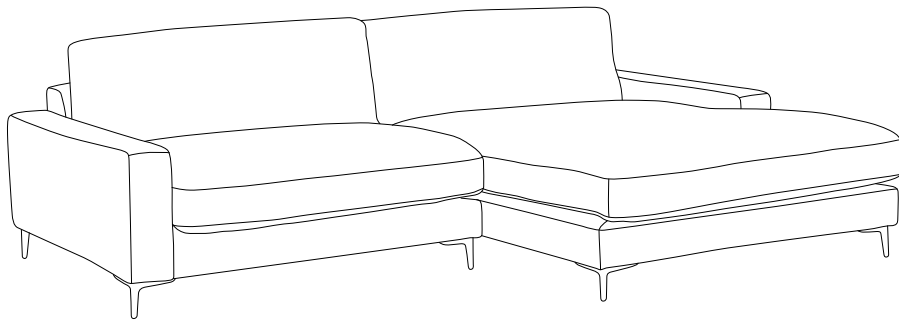


# MALOY

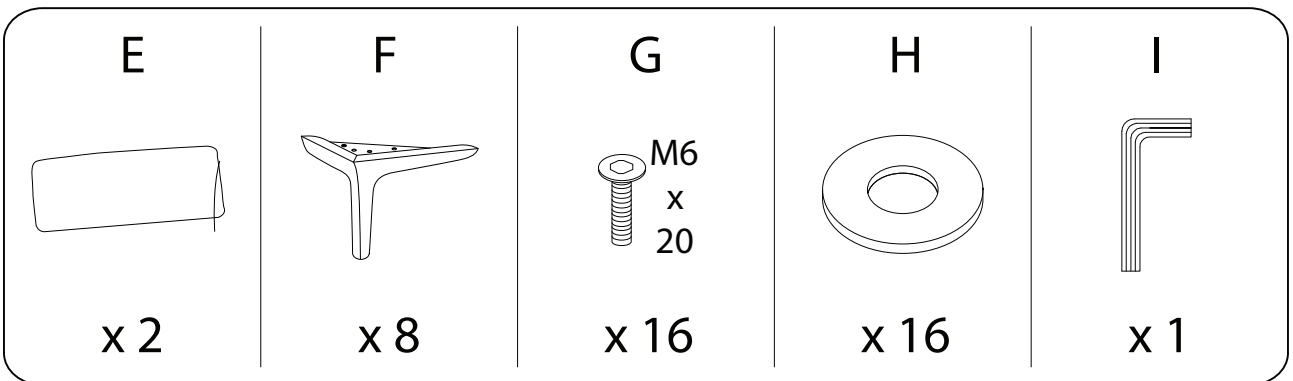
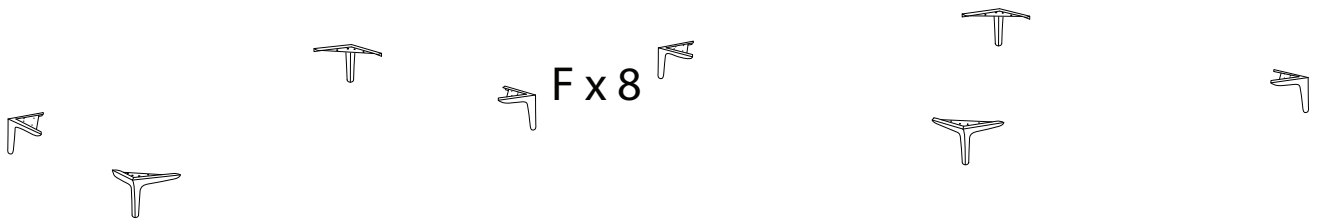
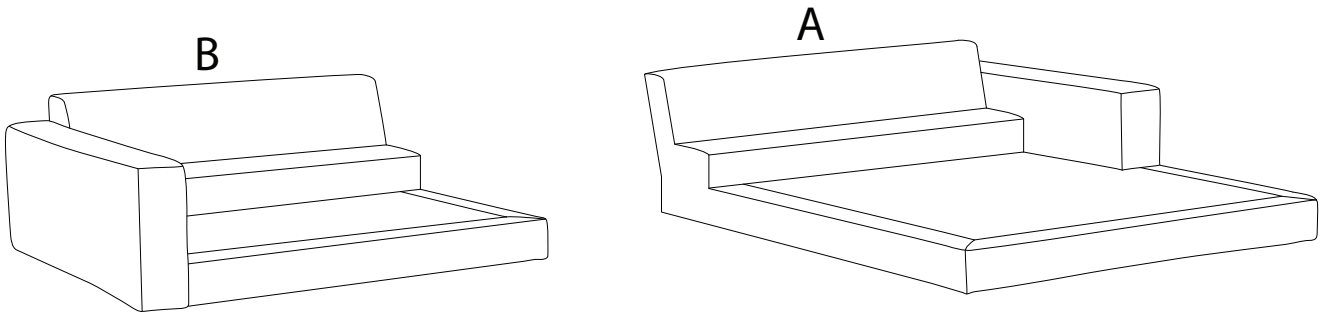
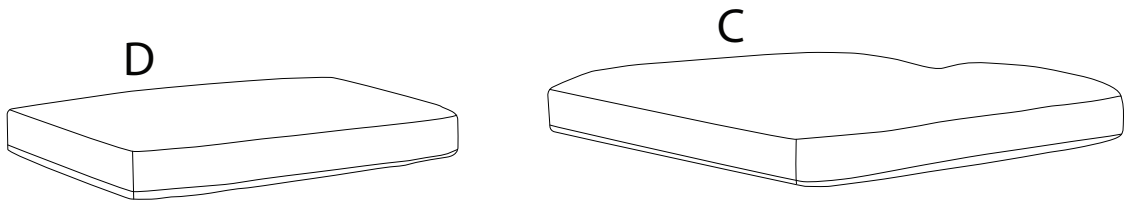
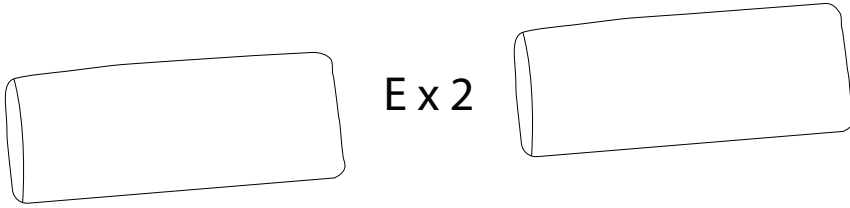
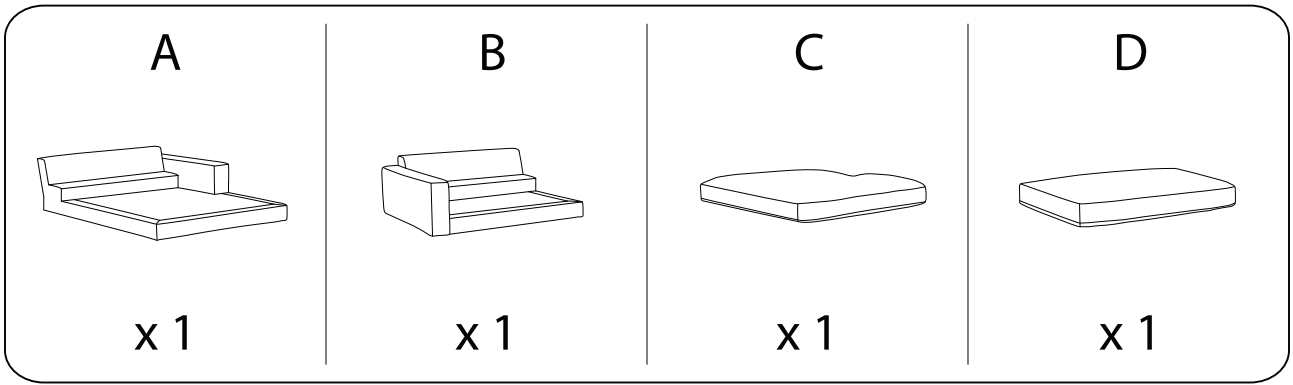




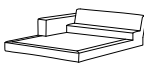
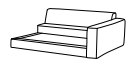
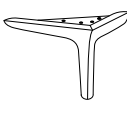


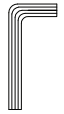
An icon showing an L-shaped metal bracket inside a circle, and a power drill with a diagonal slash through it, indicating that a power drill should not be used for this step.	A warning triangle icon with an exclamation mark inside.	A clock icon showing a 30-minute duration.
An icon showing a rectangular block on a surface with a hatched pattern, and another block with a diagonal slash through it, indicating that the block should not be placed on a soft surface.	A warning triangle icon with an exclamation mark inside.	An icon of a person, representing the number of people required for the step.

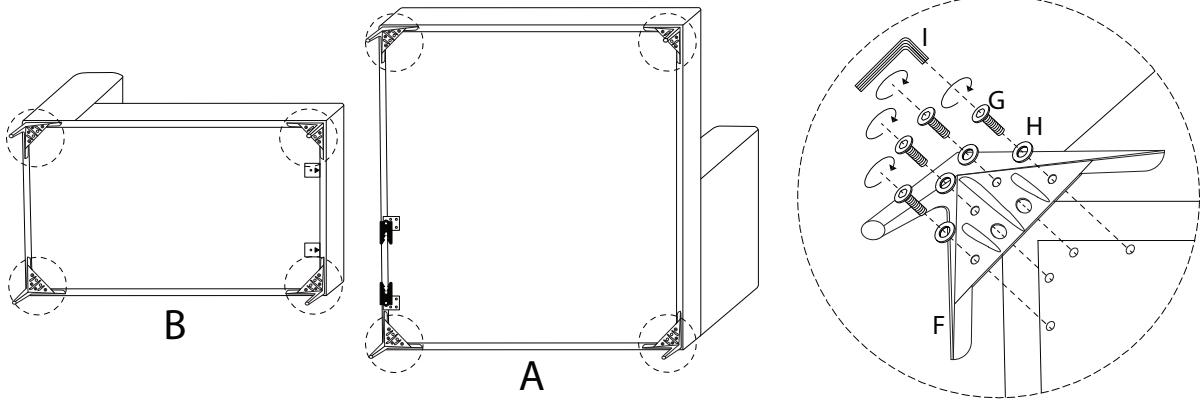
30'

1

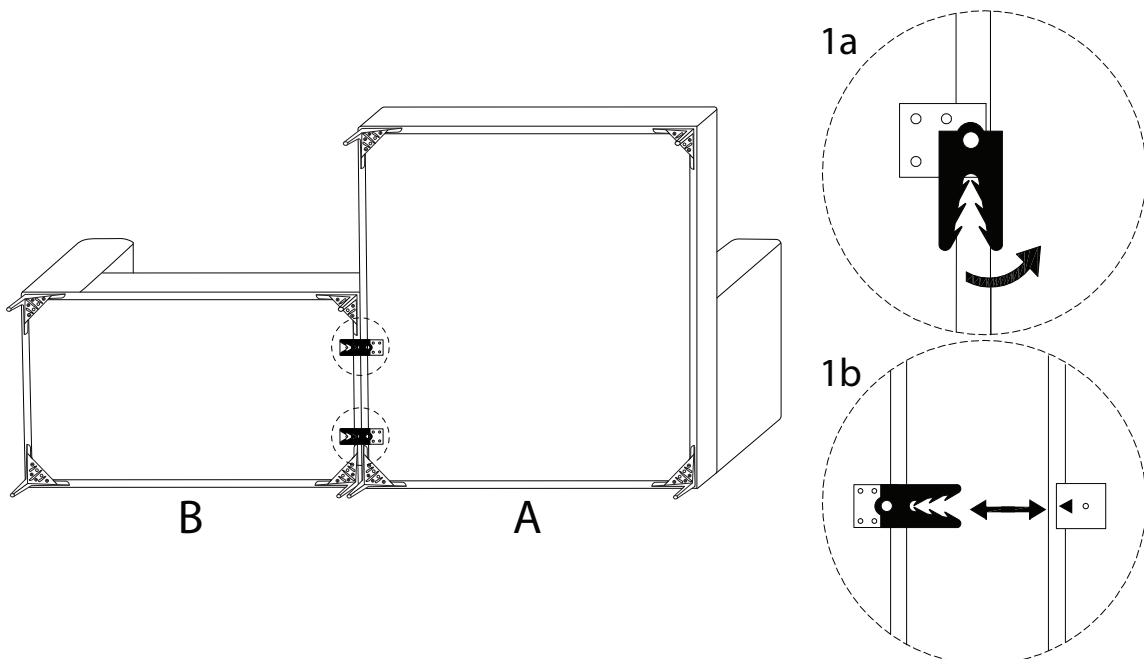


1

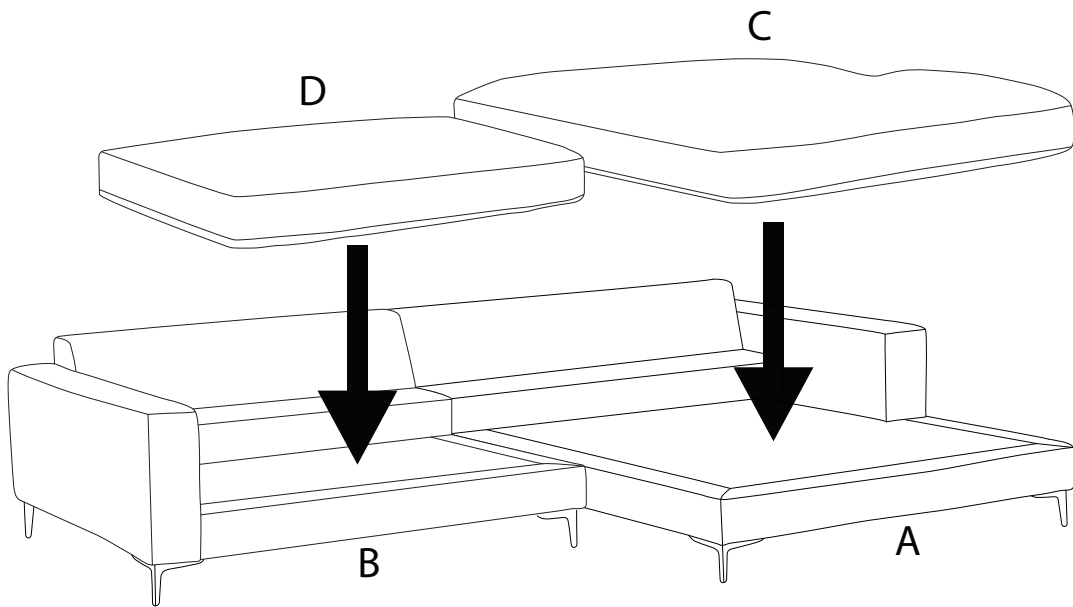
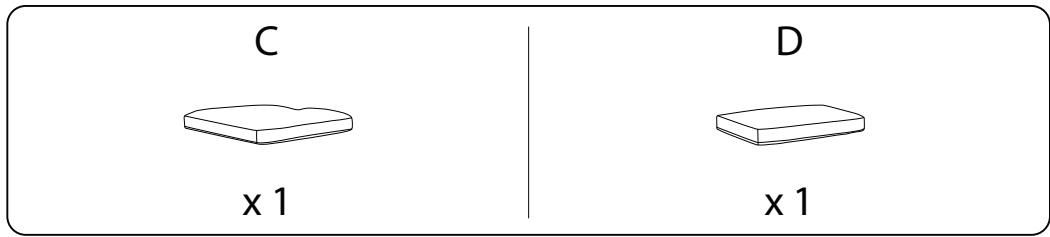
<b>A</b>  x 1	<b>B</b>  x 1	<b>F</b>  x 8	<b>G</b>  x 16	<b>H</b>  x 16	<b>I</b>  x 1
--	--	--	--	---	--



2



3



4

