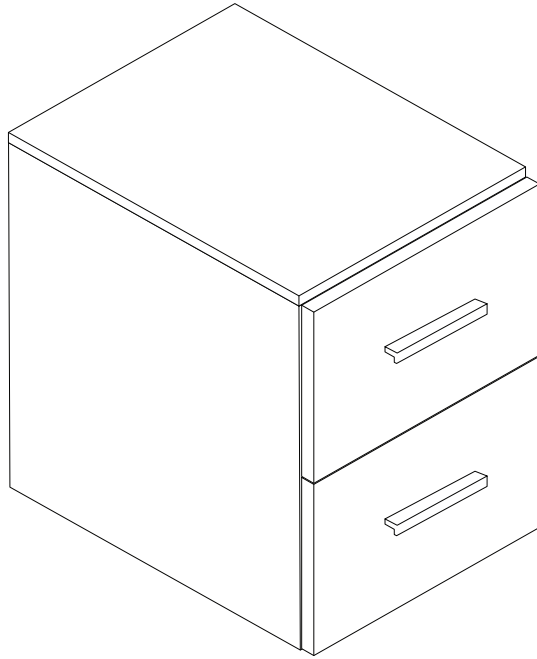
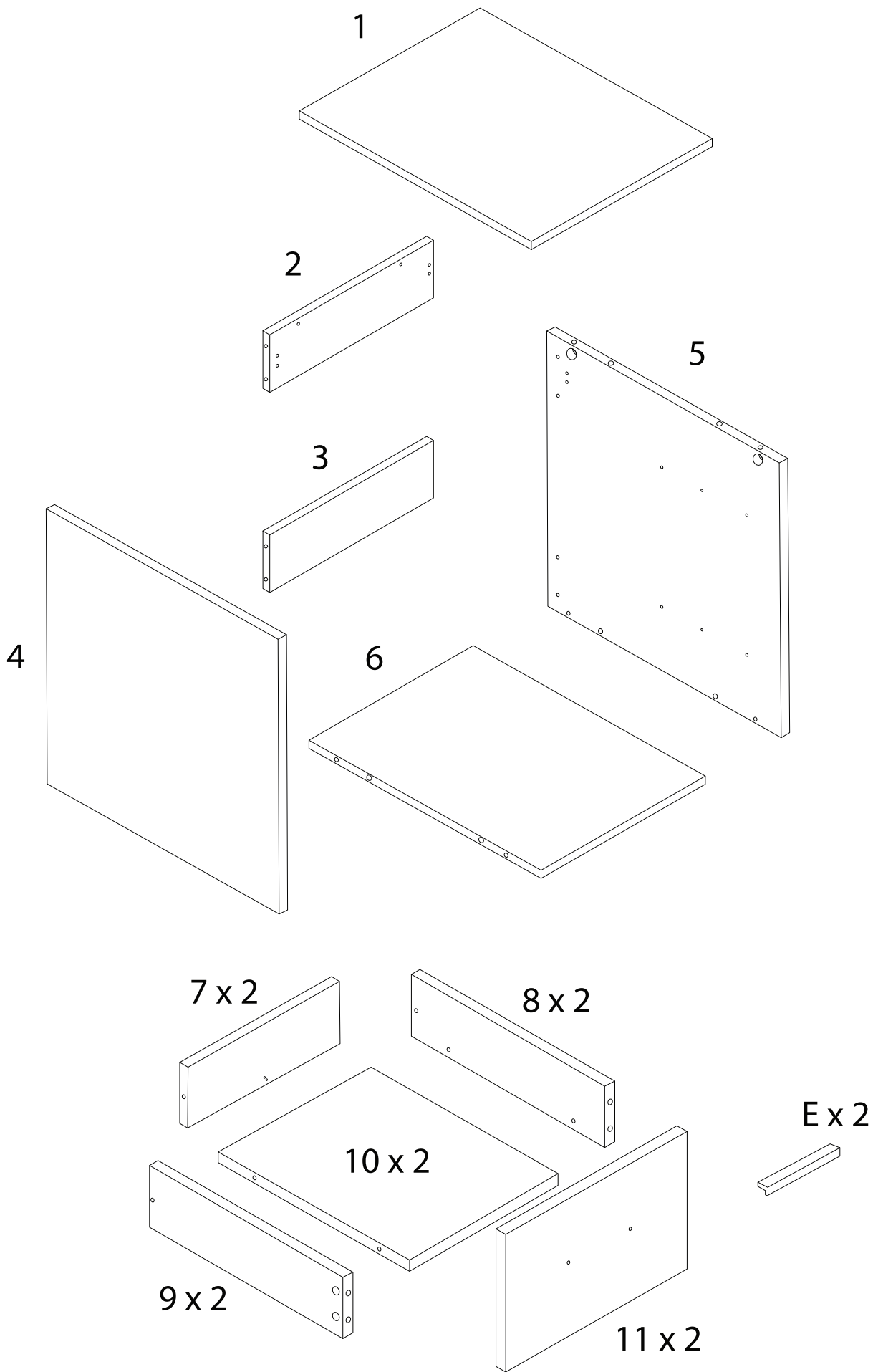


MADRID

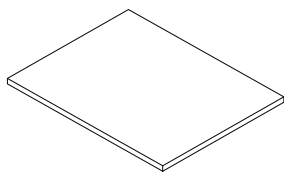




A circular icon containing a screwdriver and a wrench. To the right of this circle is a power drill.	A warning triangle with an exclamation mark inside.	A circular clock face with tick marks around the perimeter and two hands.
A circular icon showing a rectangular block on a surface with a level line. To the right is another rectangular block with a diagonal line and arrows indicating leveling.	A warning triangle with an exclamation mark inside.	A simple line drawing of a person standing.
		45'
		1

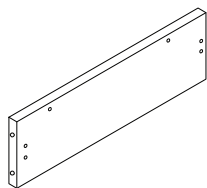


1



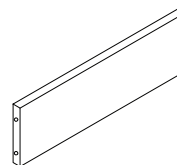
x 1

2



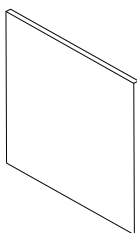
x 1

3



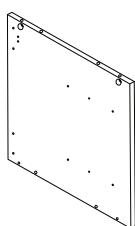
x 1

4



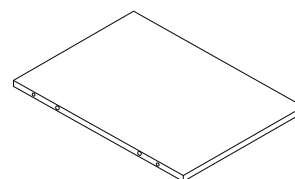
x 1

5



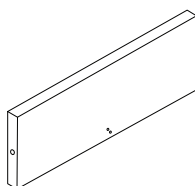
x 1

6



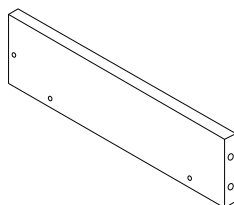
x 1

7



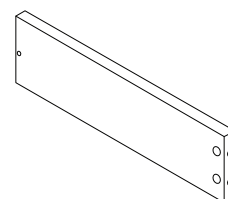
x 2

8



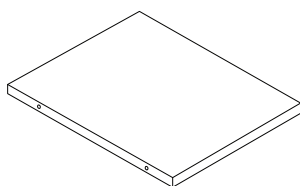
x 2

9



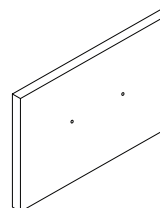
x 2

10



x 2

11



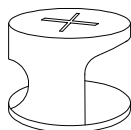
x 2

A



x 32

B



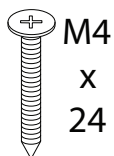
x 32

C



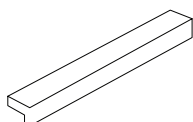
x 8

D



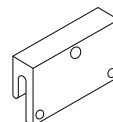
x 12

E



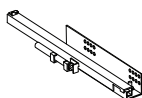
x 2

F



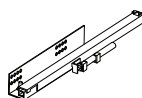
x 2

G1



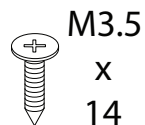
x 2

G2



x 2

H



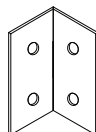
x 24

I



x 2

J



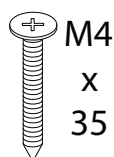
x 2

K



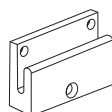
x 6

L



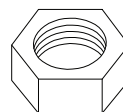
x 6

M



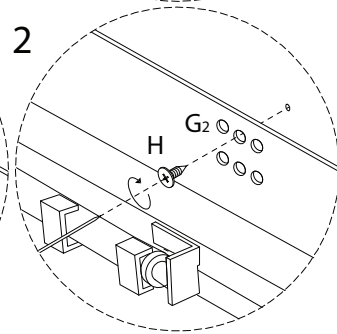
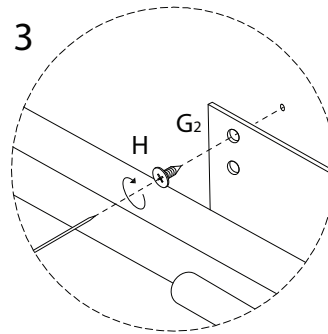
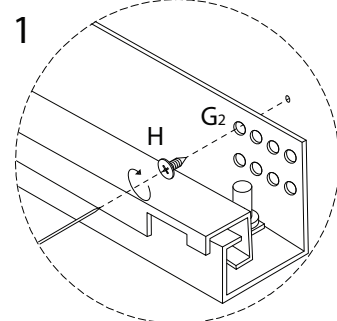
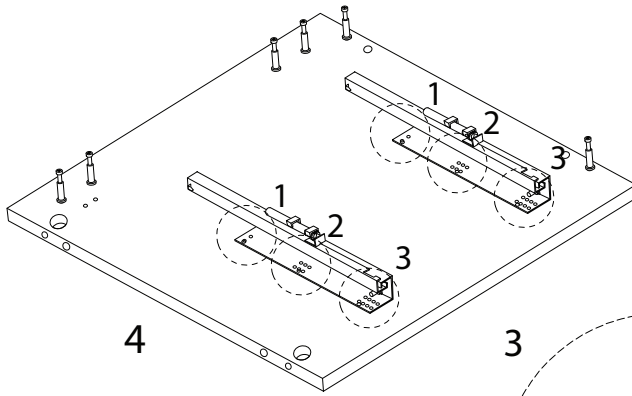
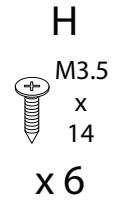
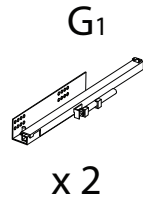
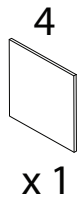
x 2

N

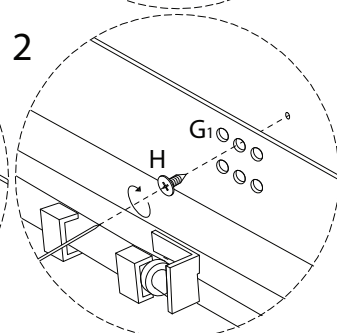
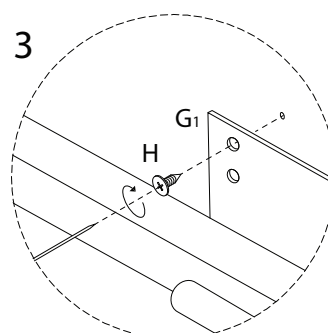
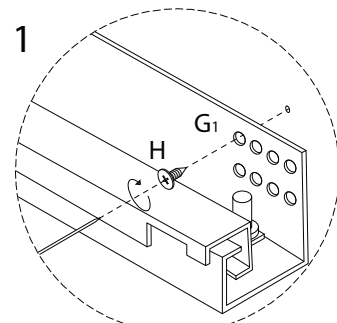
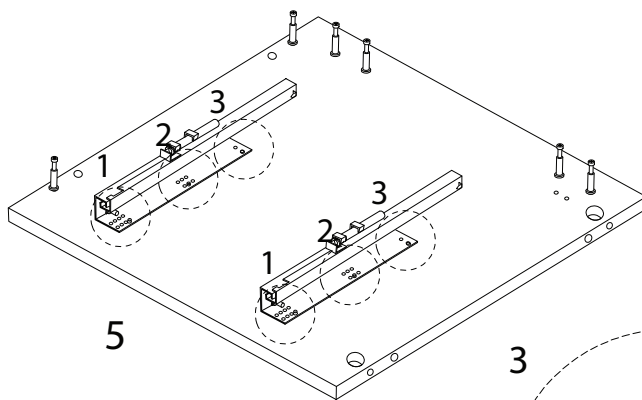
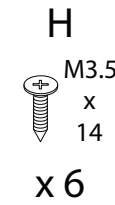
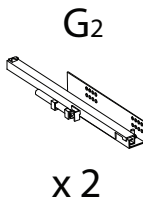
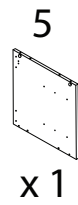


x 2

1



2

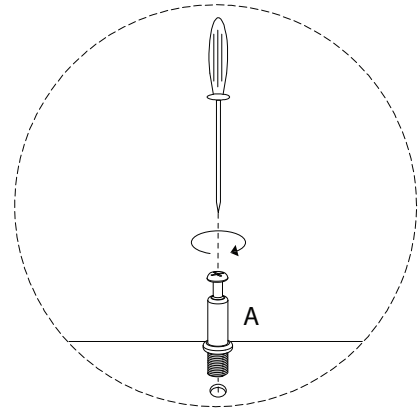
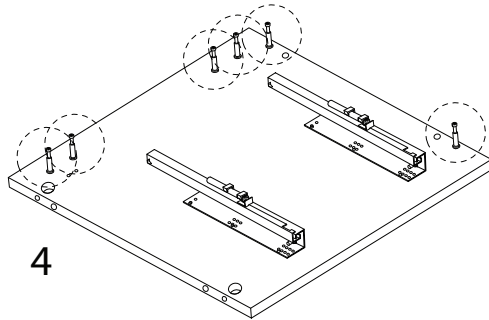
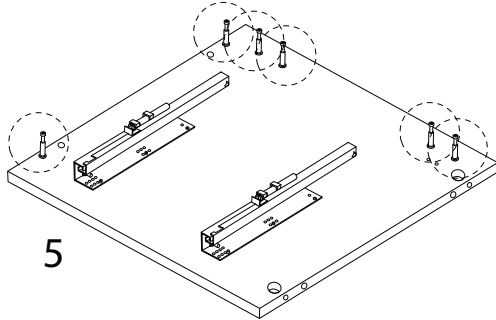


3

A



x 12

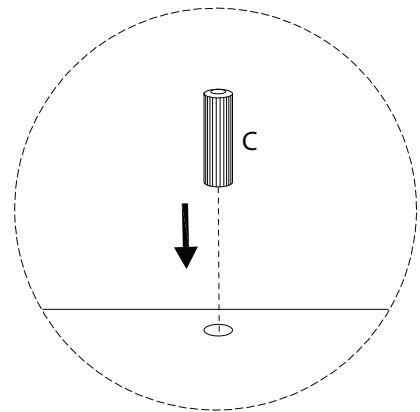
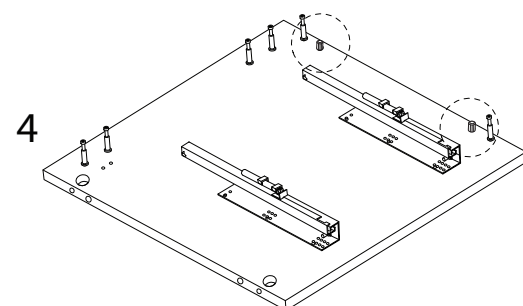
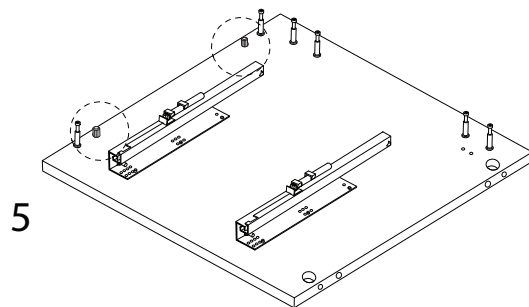


4

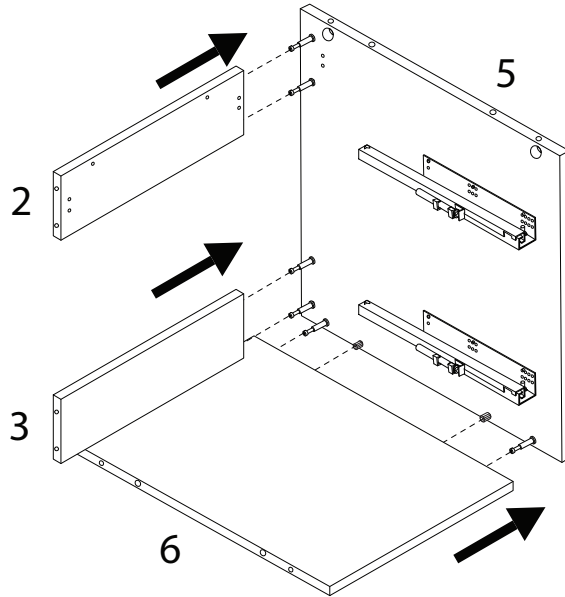
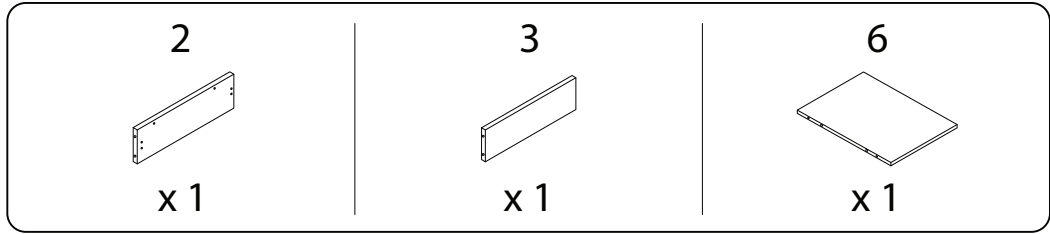
C



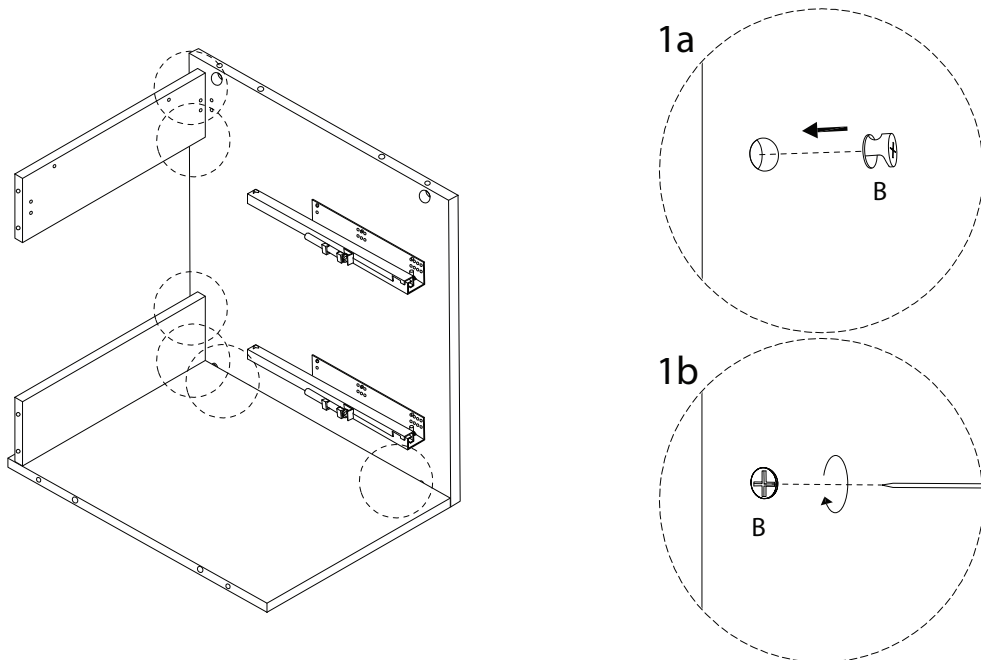
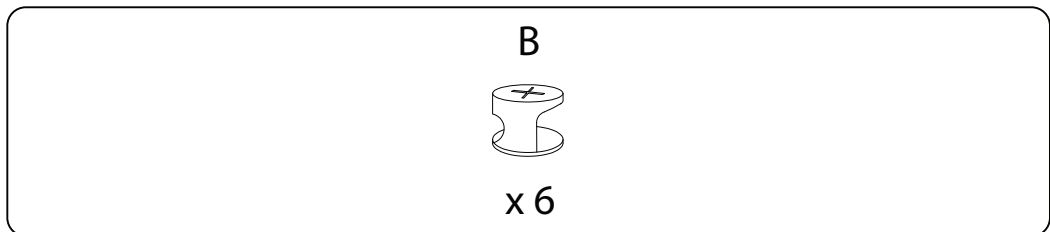
x 4



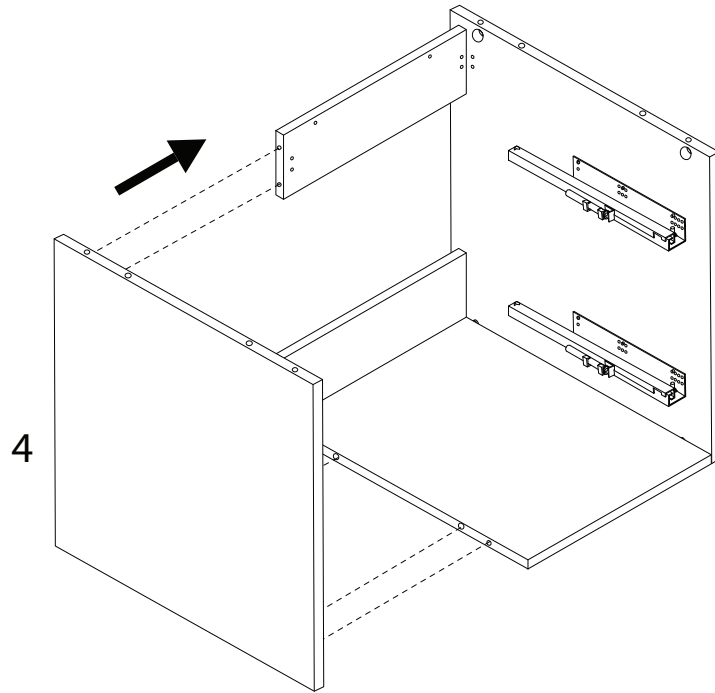
5



6



7

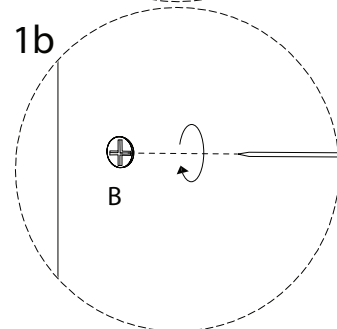
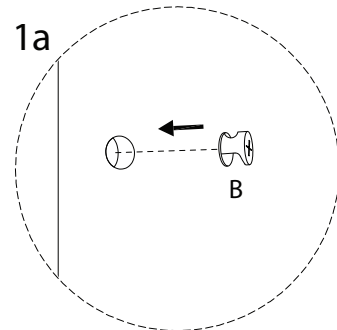
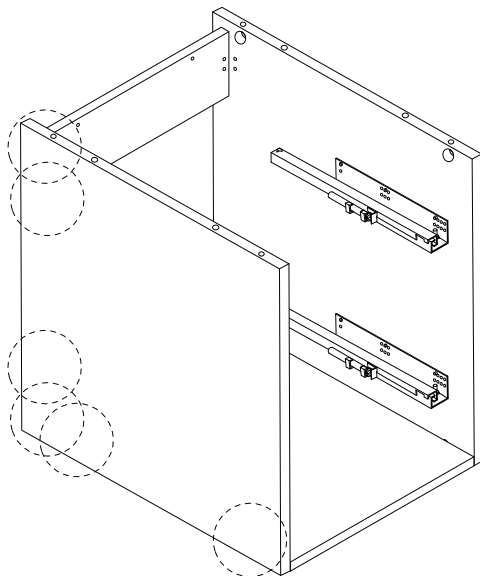


8

B



x 6



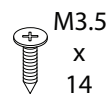
9

J



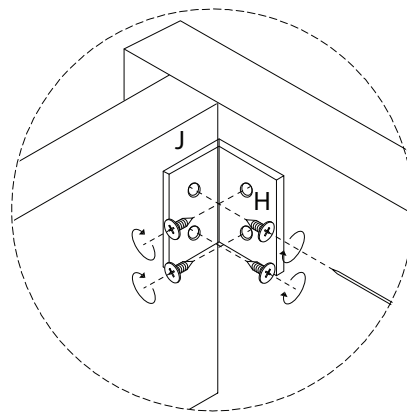
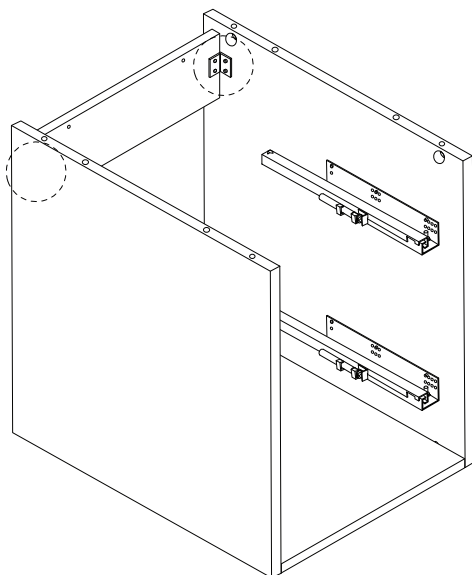
x 2

H



M3.5
x
14

x 8



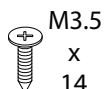
20

F



x 2

H



M3.5
x
14

x 4

I



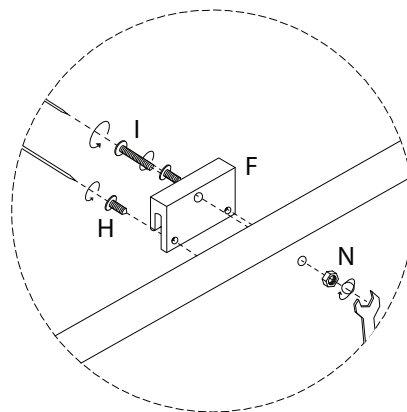
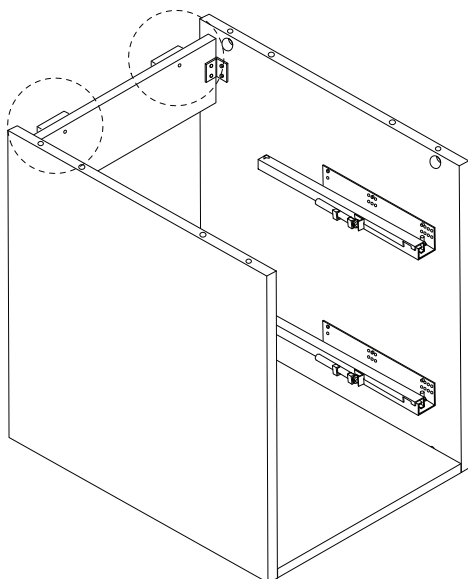
M4
x
32

x 2

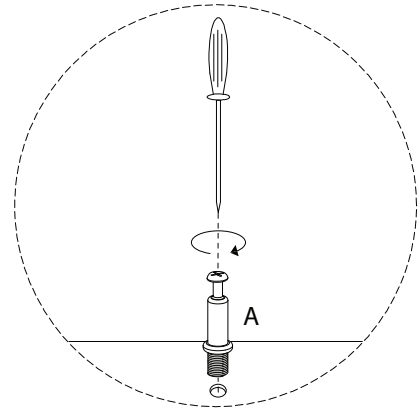
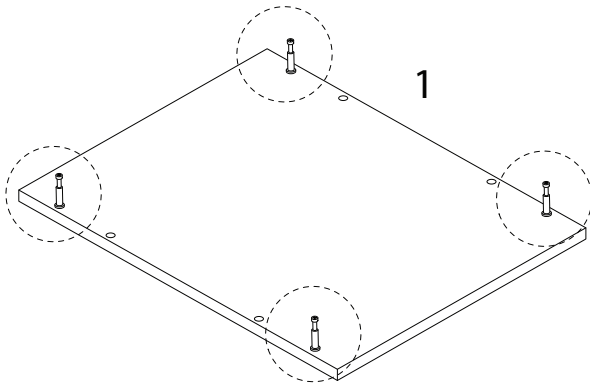
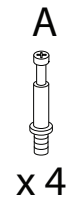
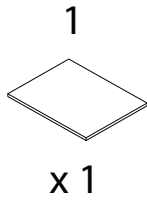
N



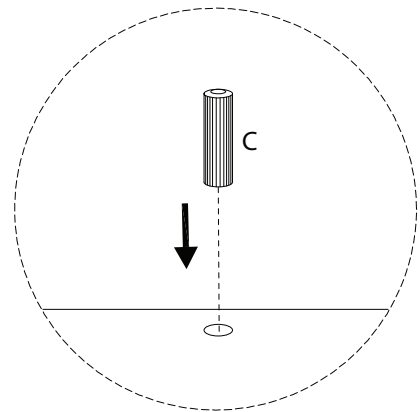
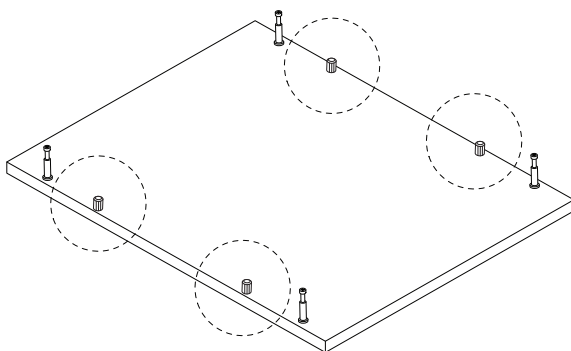
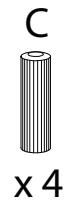
x 2



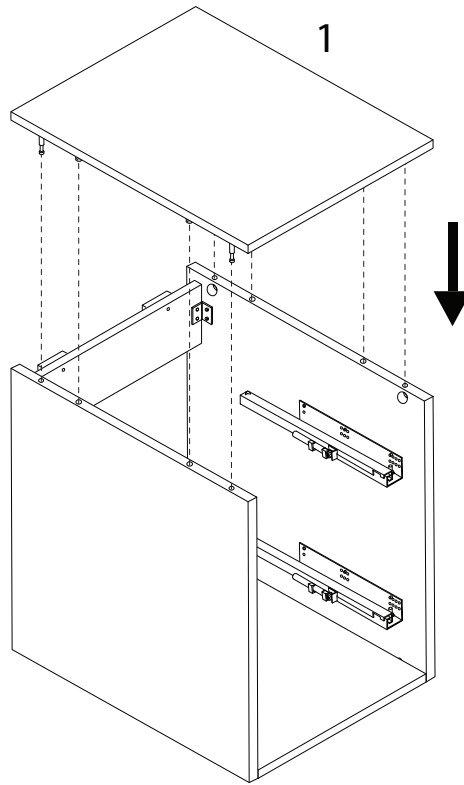
11



12



13

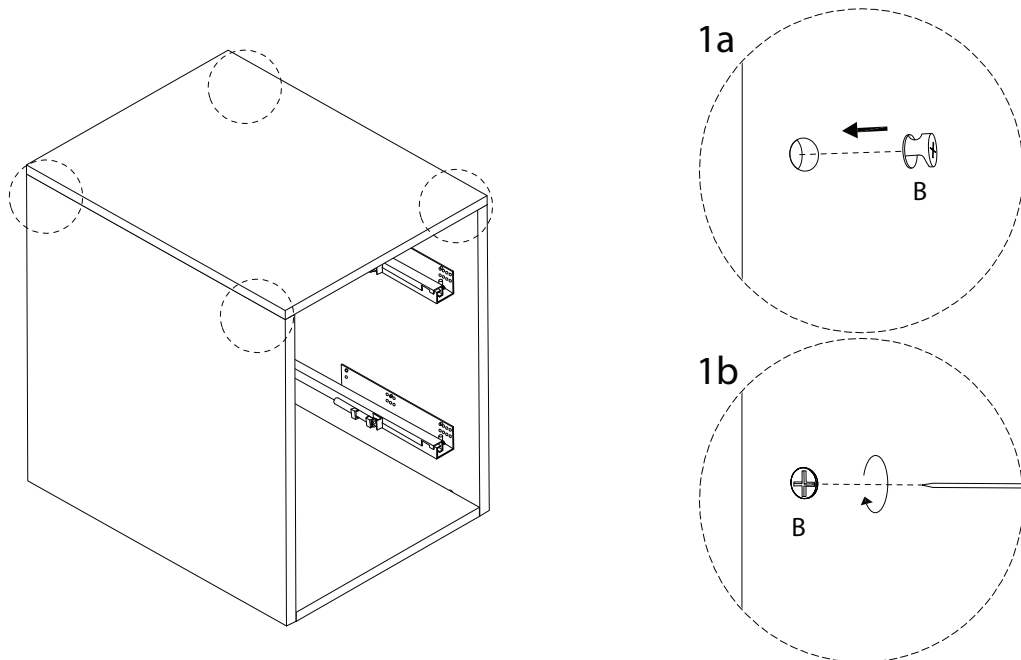


14

B

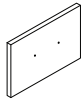


x 4



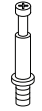
15 x 2

11

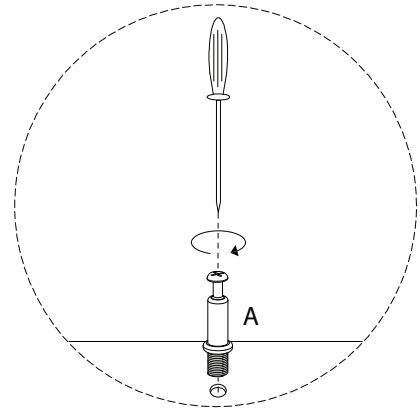
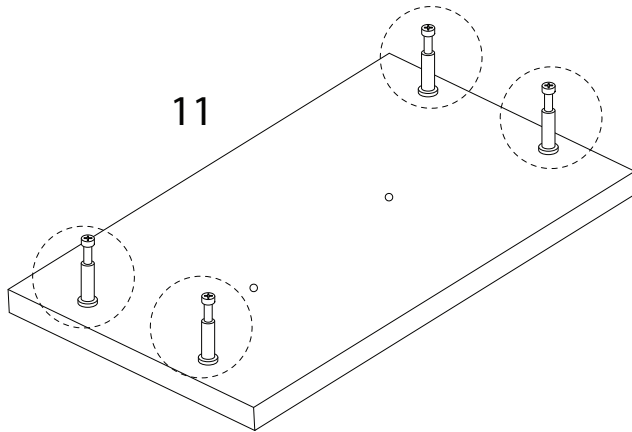


x 1

A

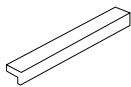


x 4



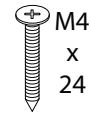
16 x 2

E

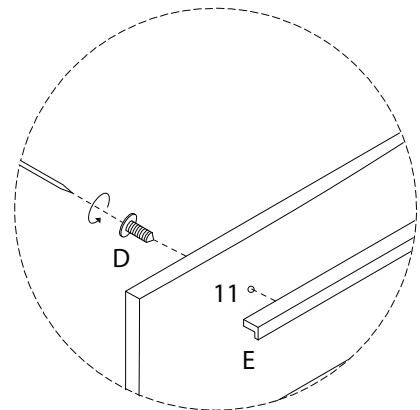
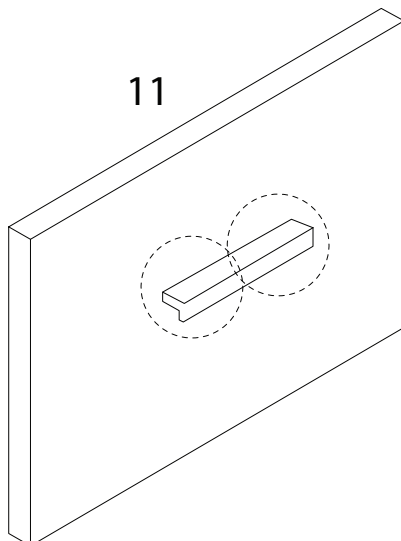


x 1

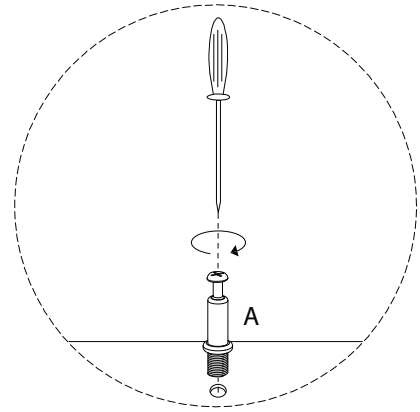
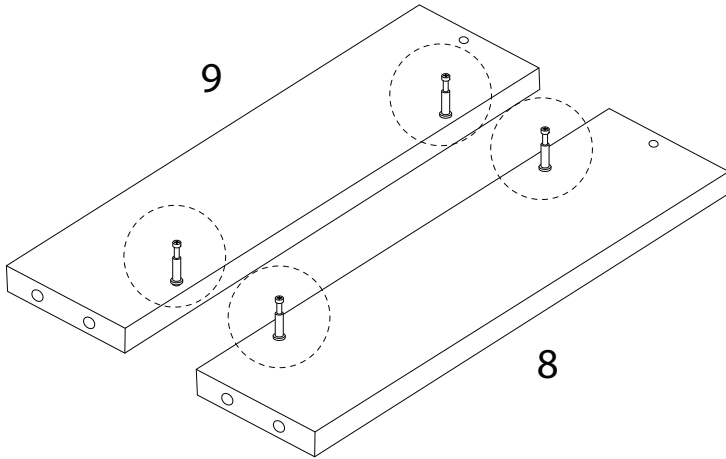
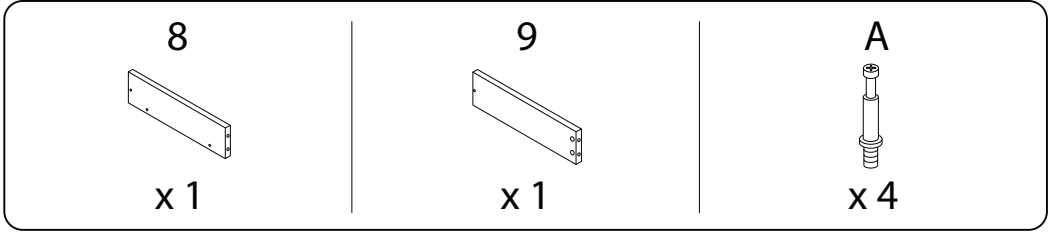
D



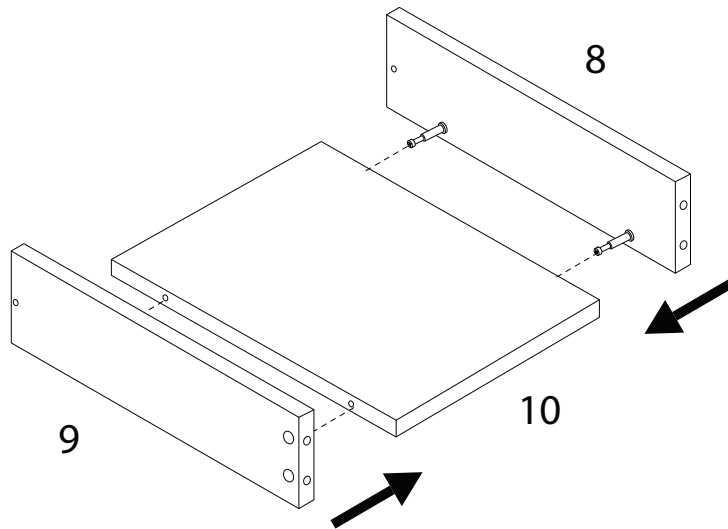
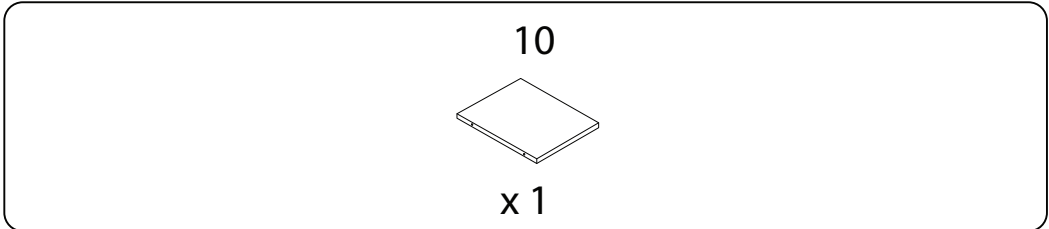
x 2



17 x 2



18 x 2

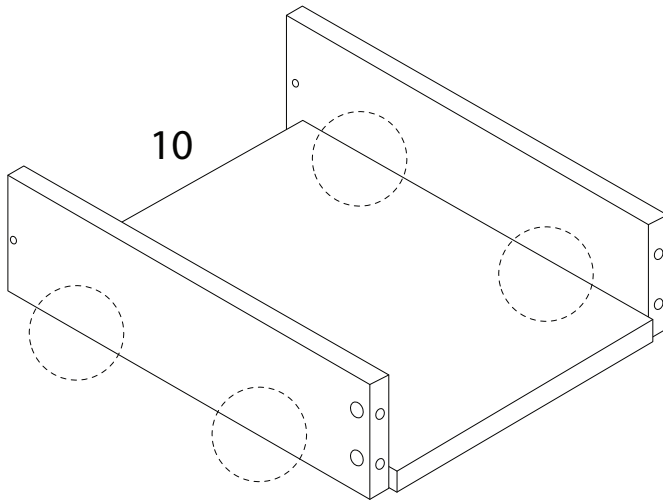


19 x 2

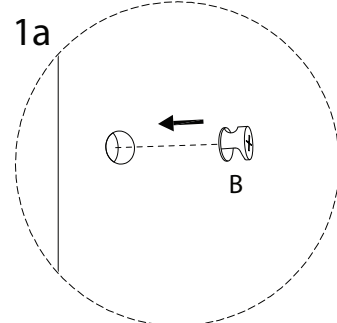
B



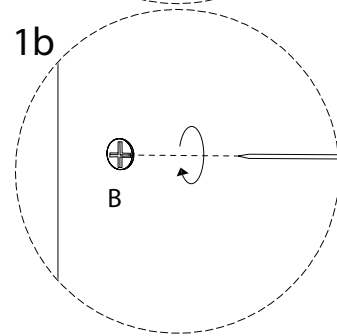
x 4



1a

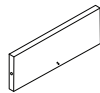


1b



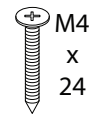
20 x 2

7

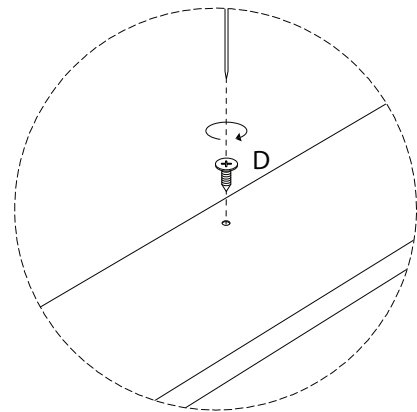
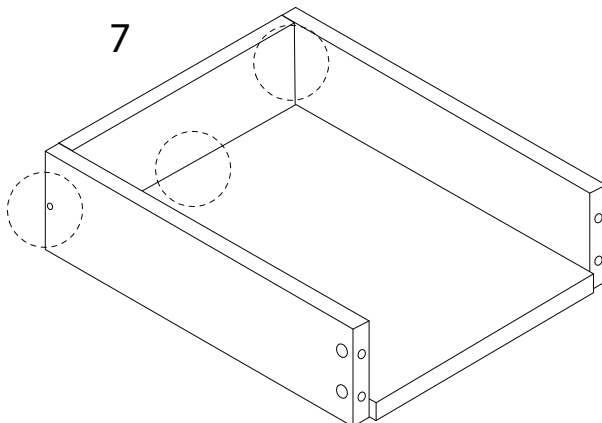


x 1

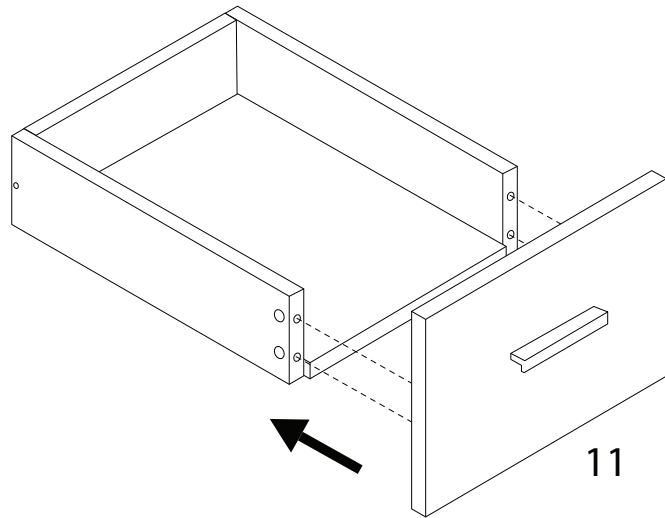
D



x 4



21 x 2

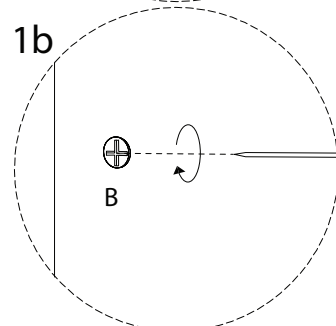
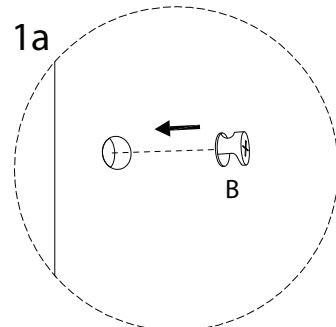
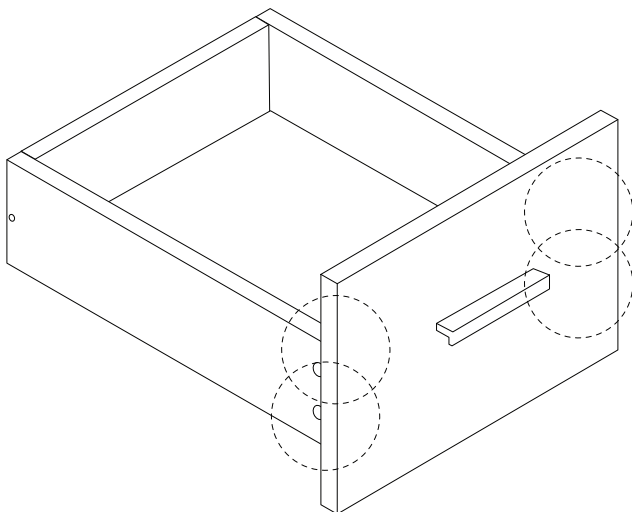


22 x 2

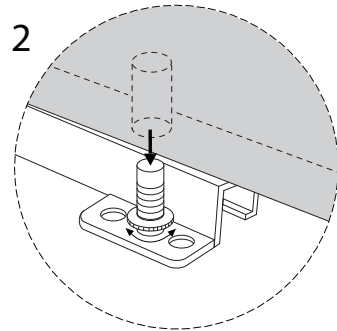
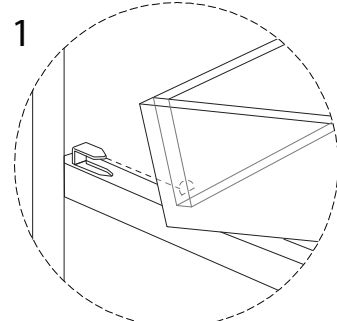
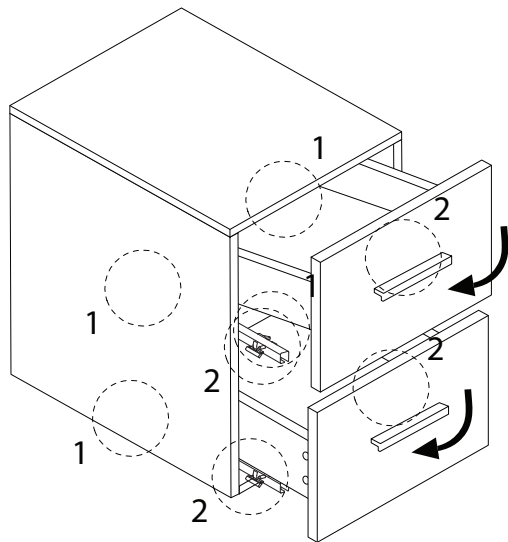
B



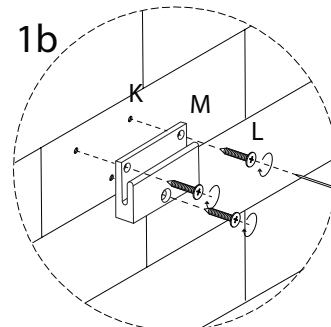
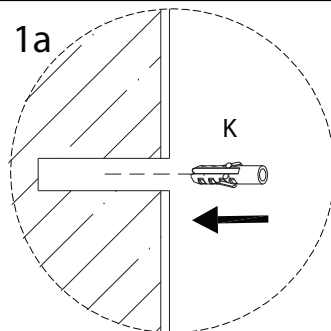
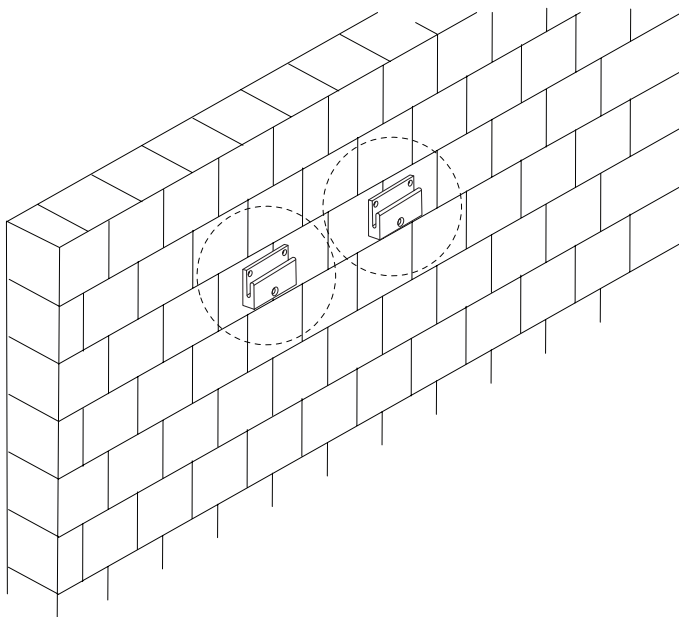
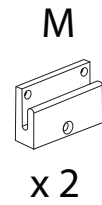
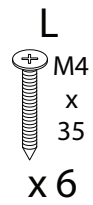
x 4



23



24



25

