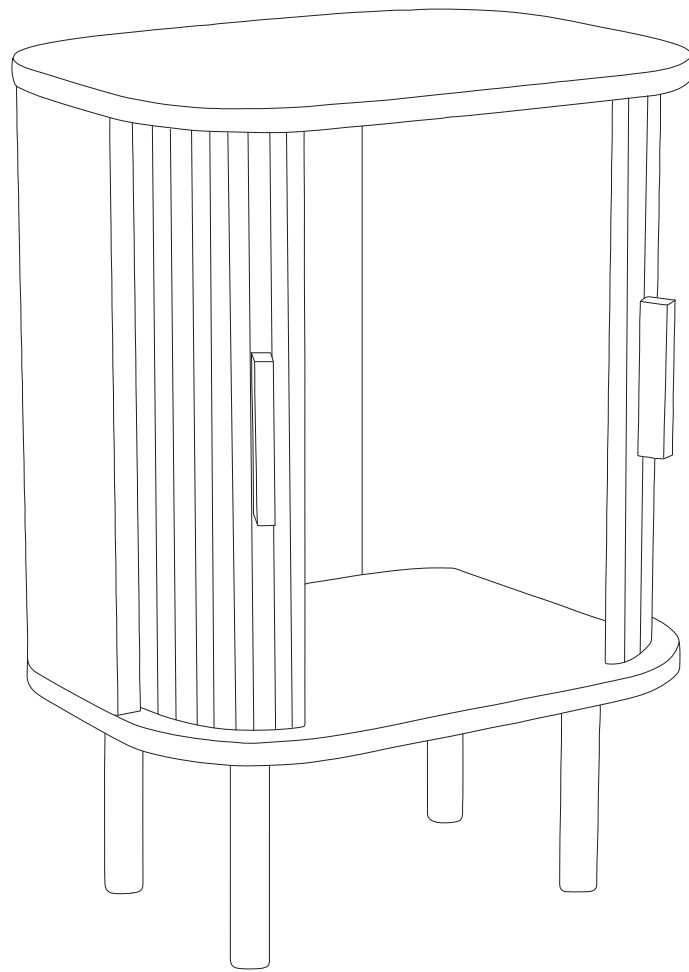
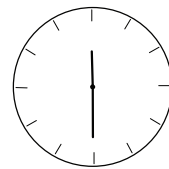
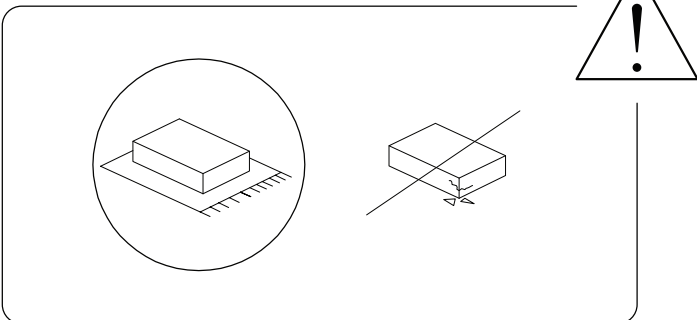
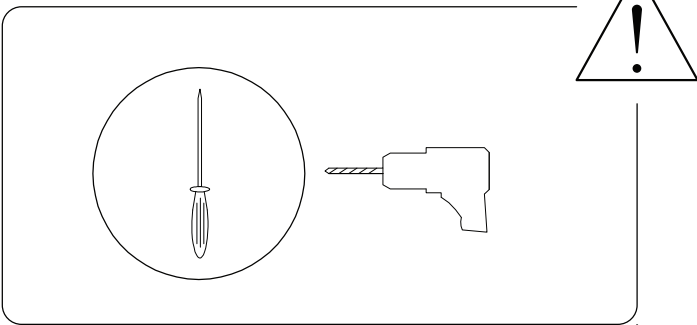
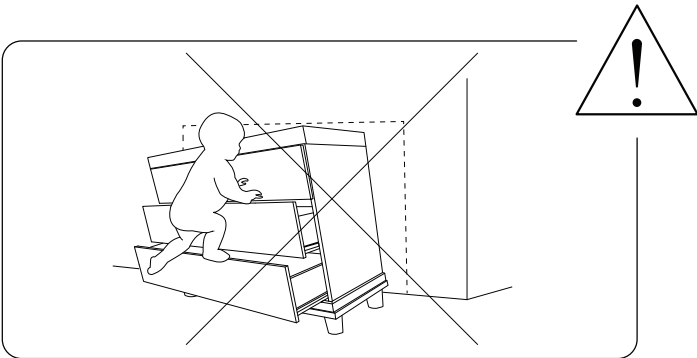
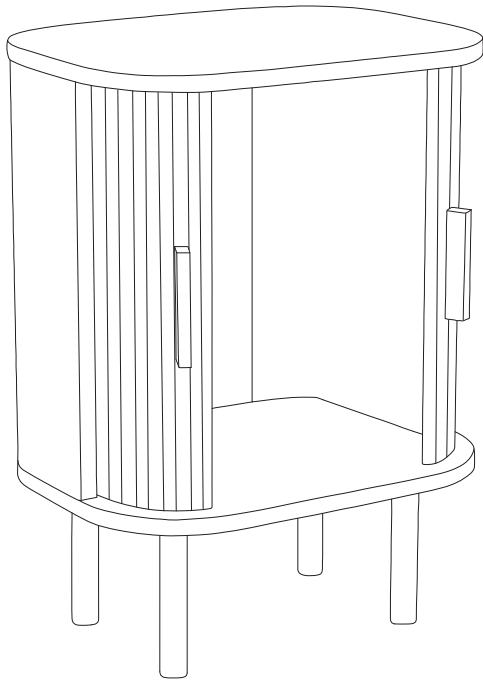


# BRADLEY

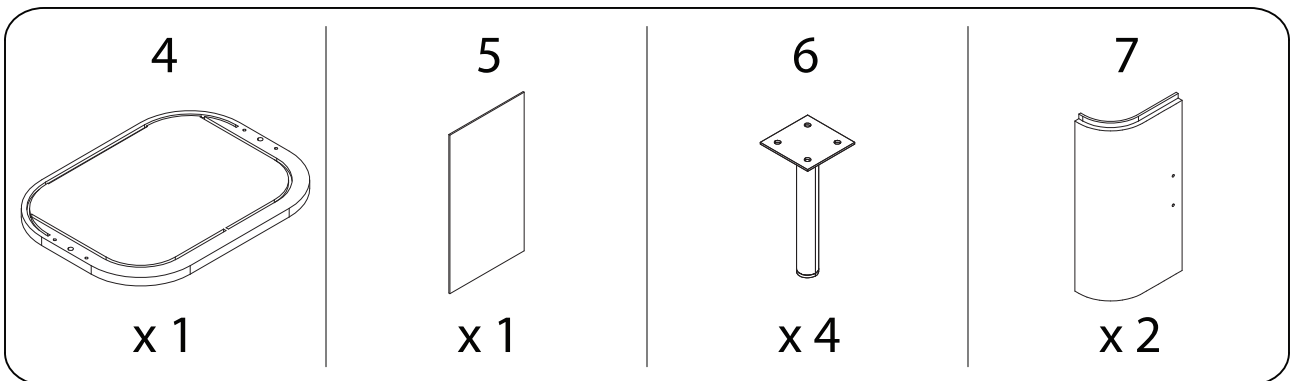
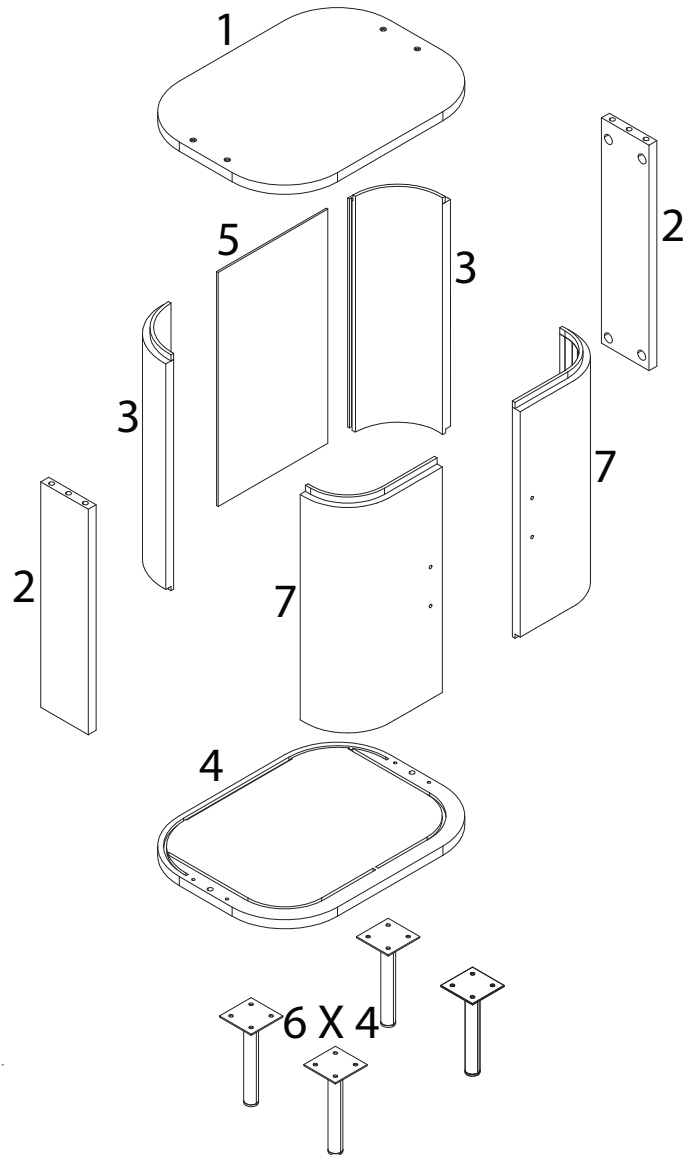
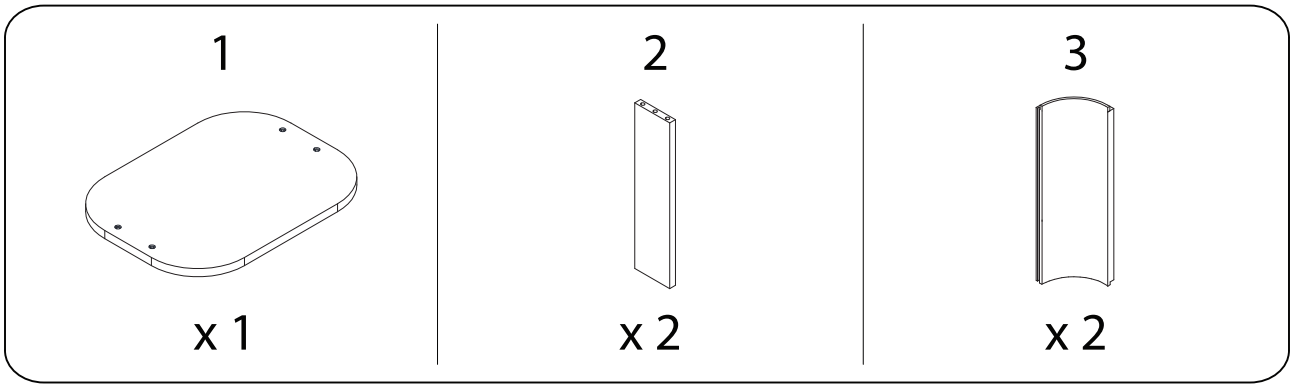




30'



1

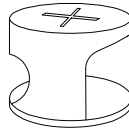


A



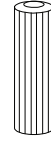
x 4

B



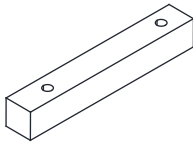
x 4

C



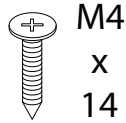
x 4

D



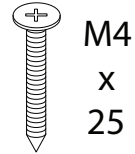
x 2

E



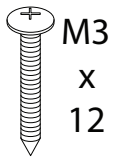
x 4

F



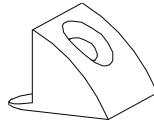
x 4

G



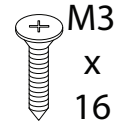
x 16

H



x 4

I



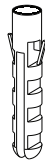
x 4

J1



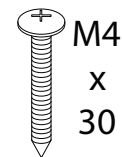
x 2

J2



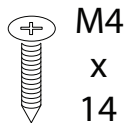
x 2

J3



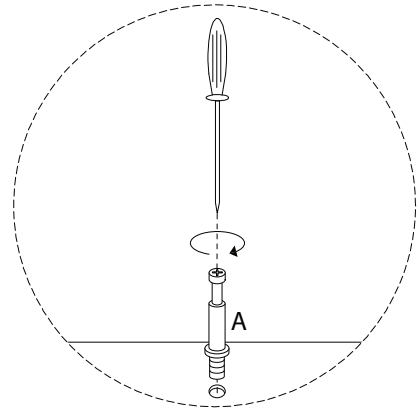
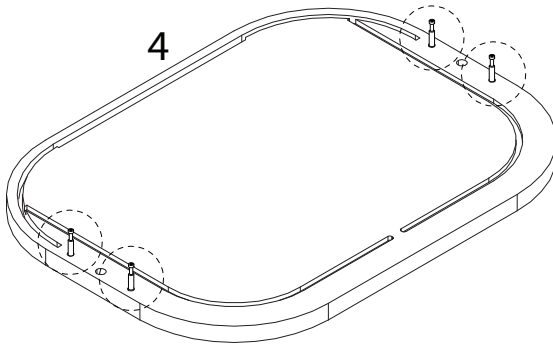
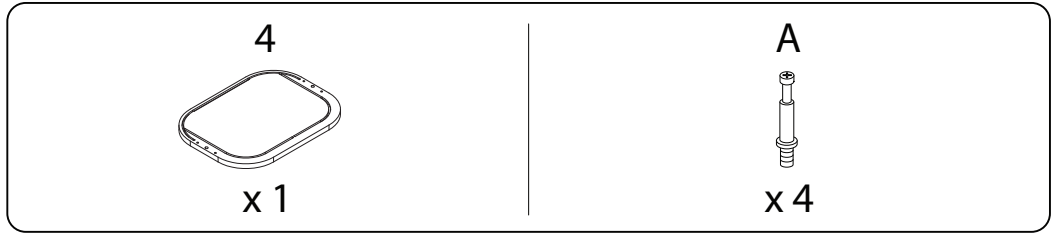
x 2

J4

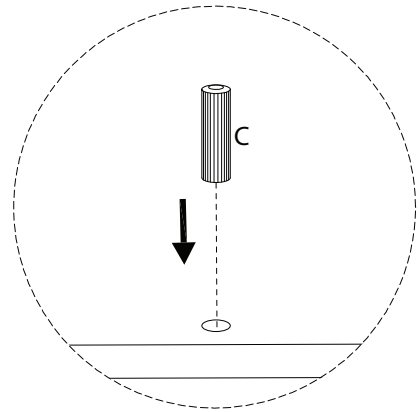
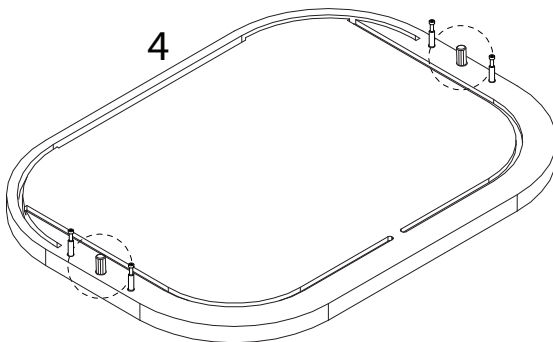
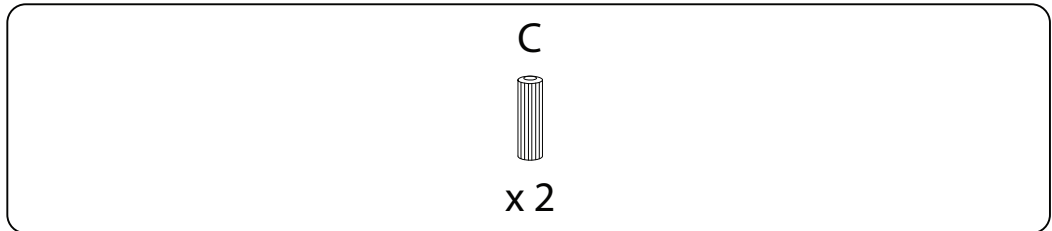


x 2

1

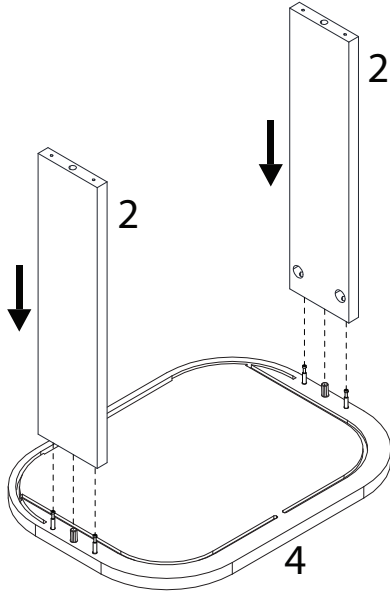


2



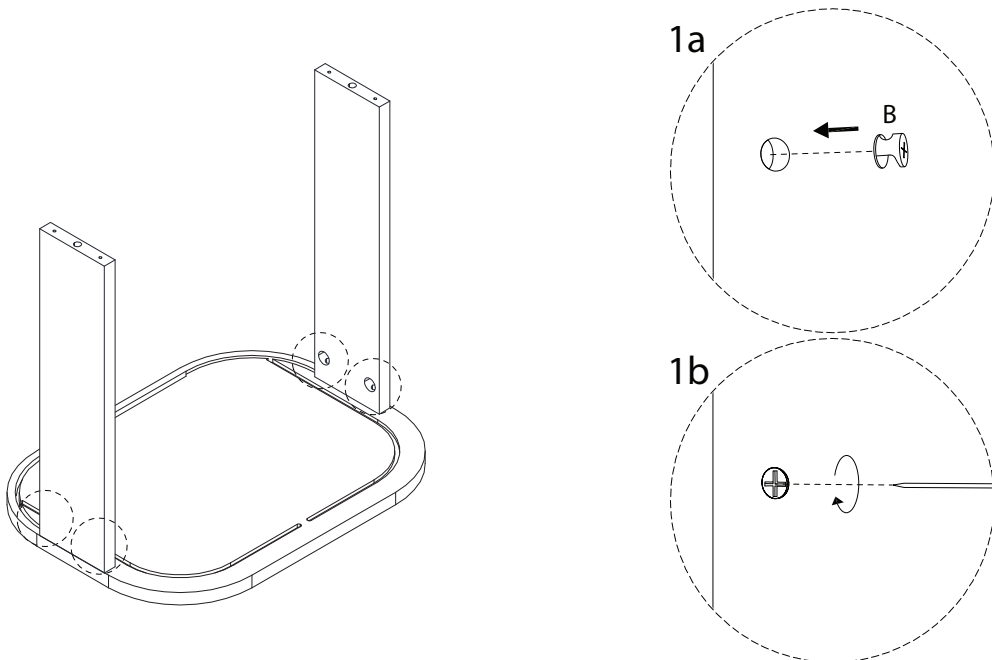
3

2  
x 2

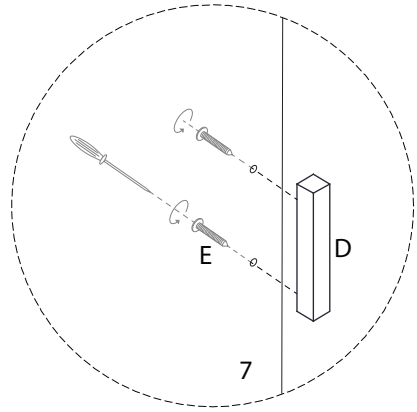
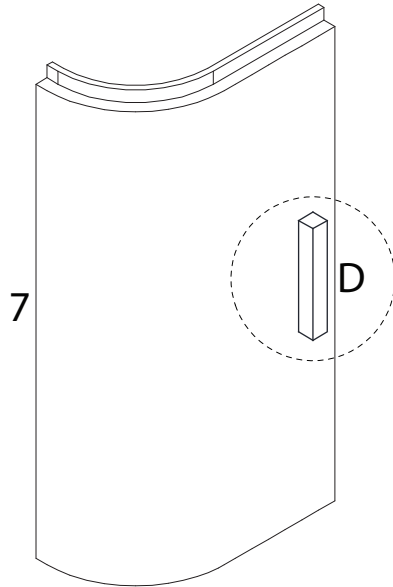
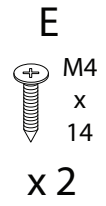
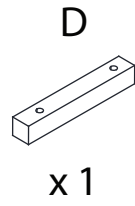


4

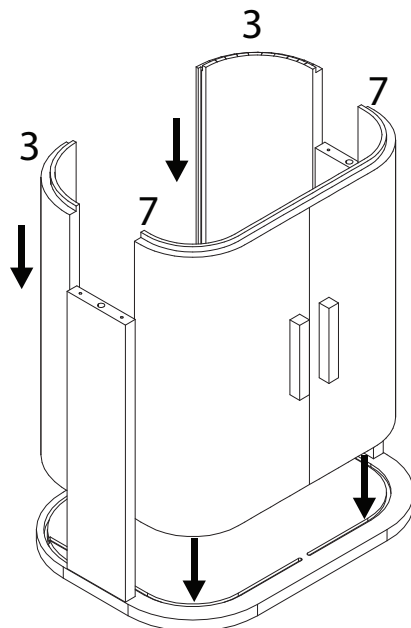
B  
x 4



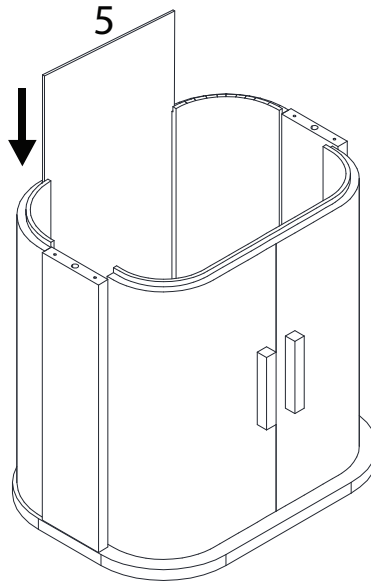
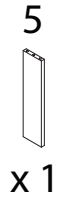
5 x 2



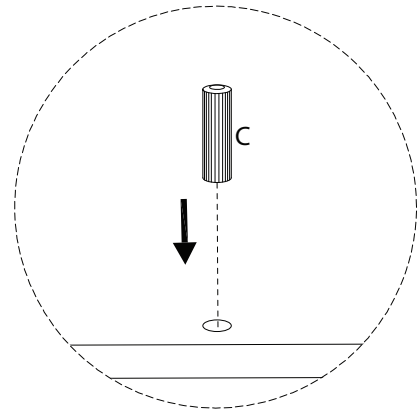
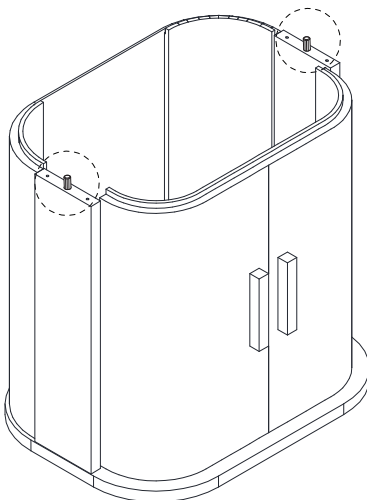
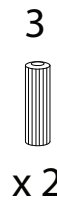
6



7

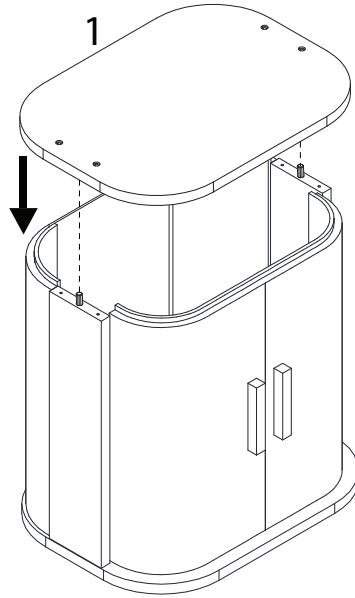
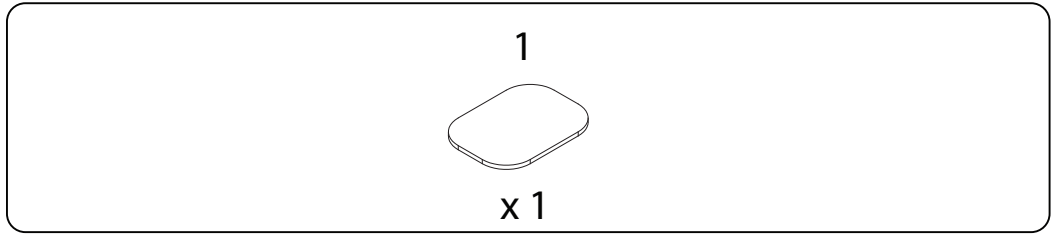


8

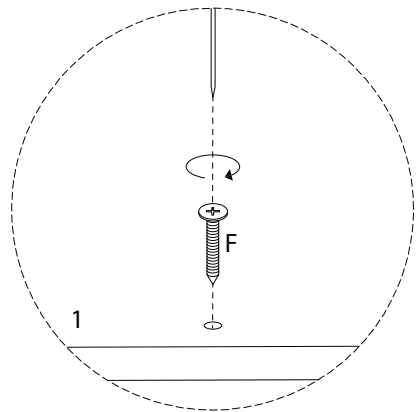
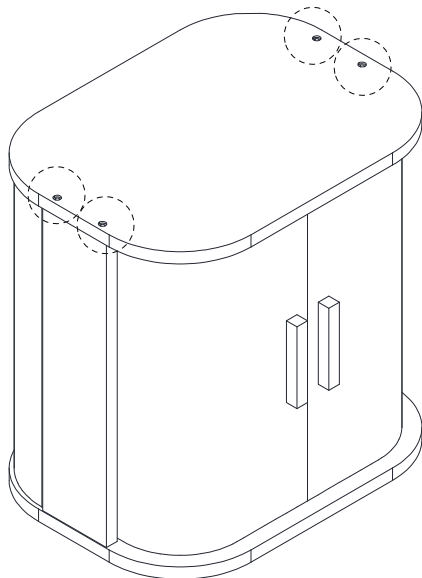
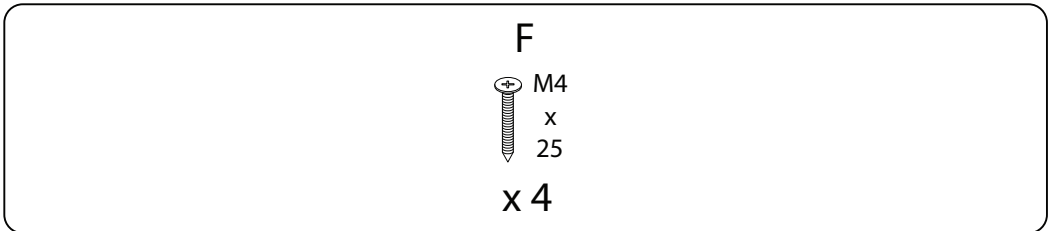




9



10



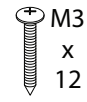
11

6

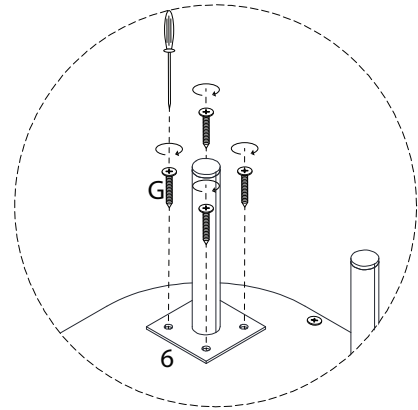
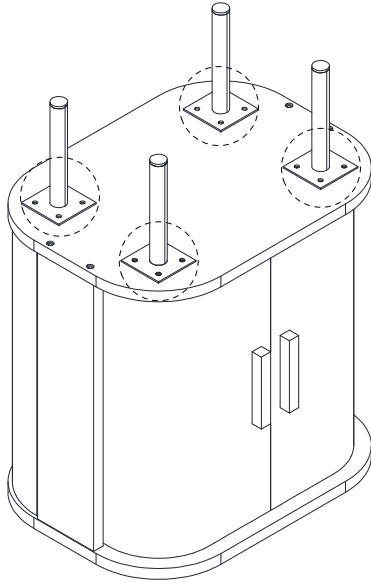


x 4

G

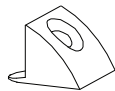


x 16



12

H

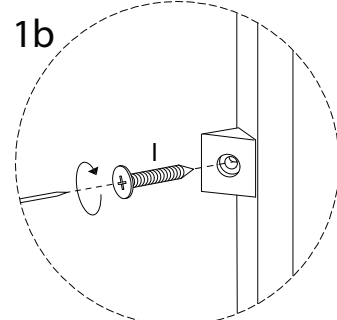
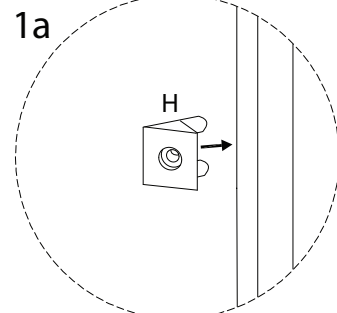
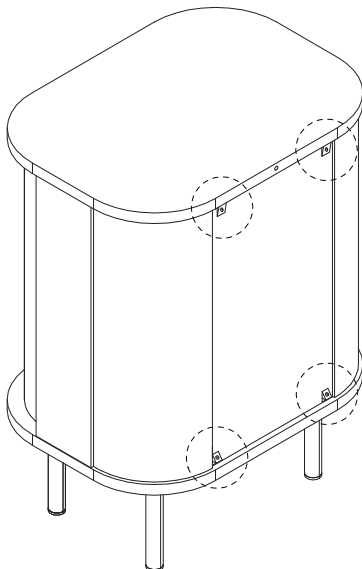


x 4



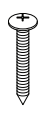

I



x 4



13

<p>J<sub>1</sub></p>  <p>x 2</p>	<p>J<sub>2</sub></p>  <p>x 2</p>	<p>J<sub>3</sub></p>  <p>M4 x 30</p> <p>x 2</p>	<p>J<sub>4</sub></p>  <p>M4 x 14</p> <p>x 2</p>
---	---	---	--

