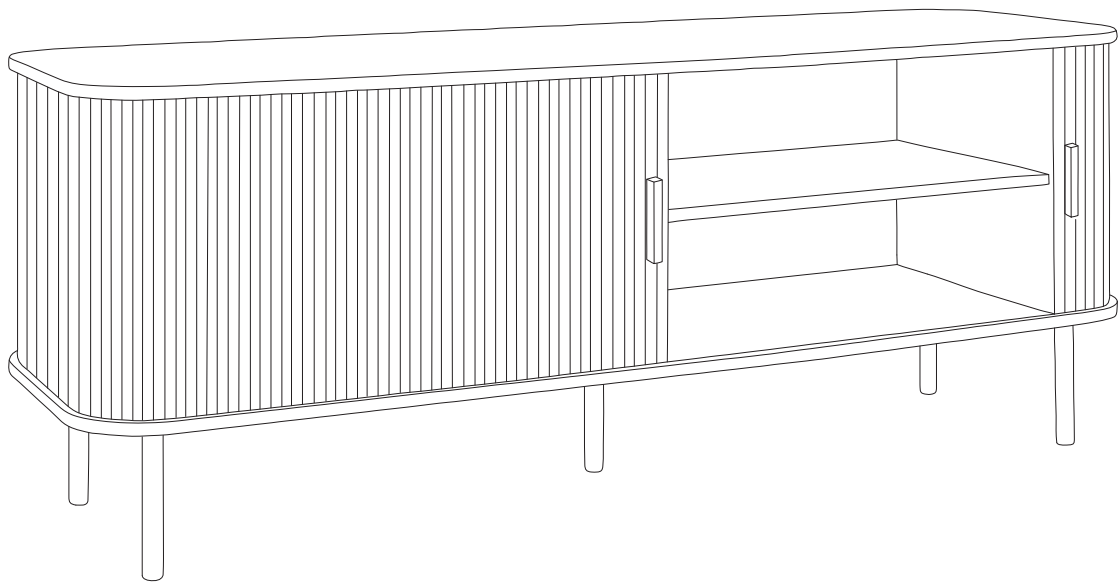
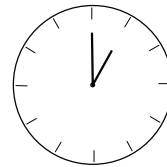
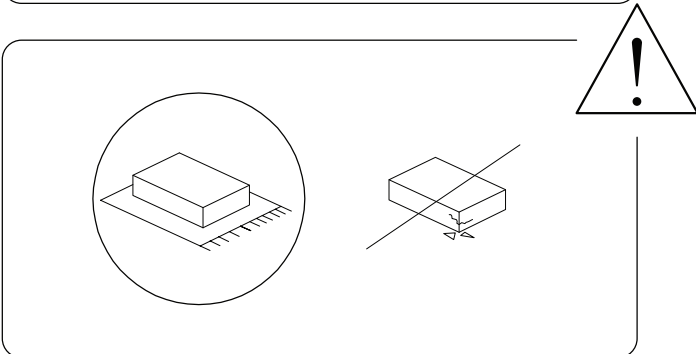
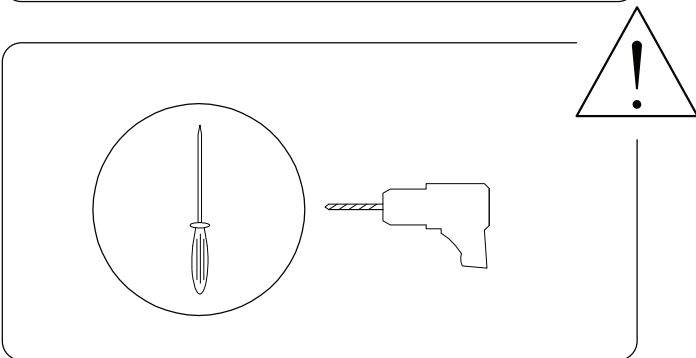
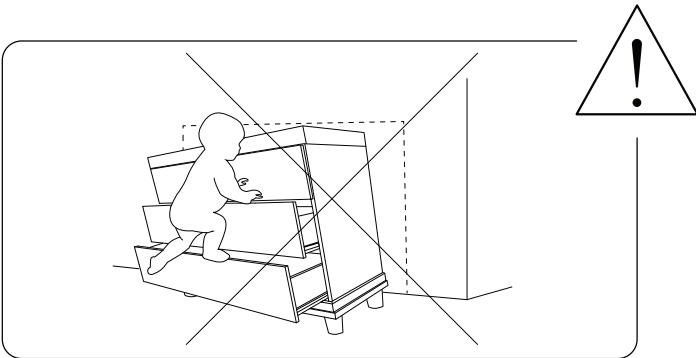
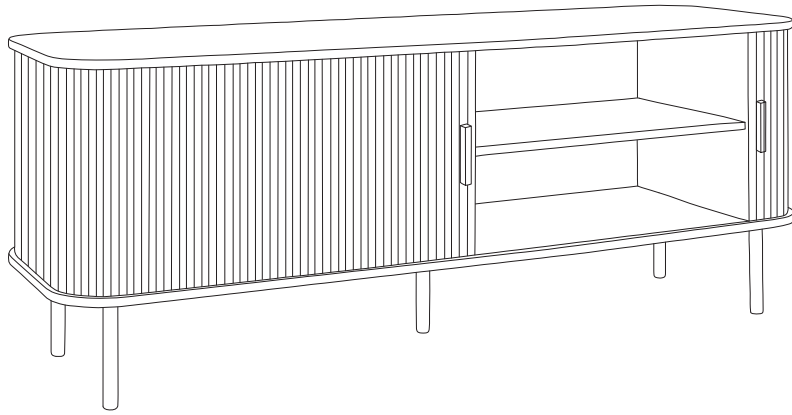


# BRADLEY

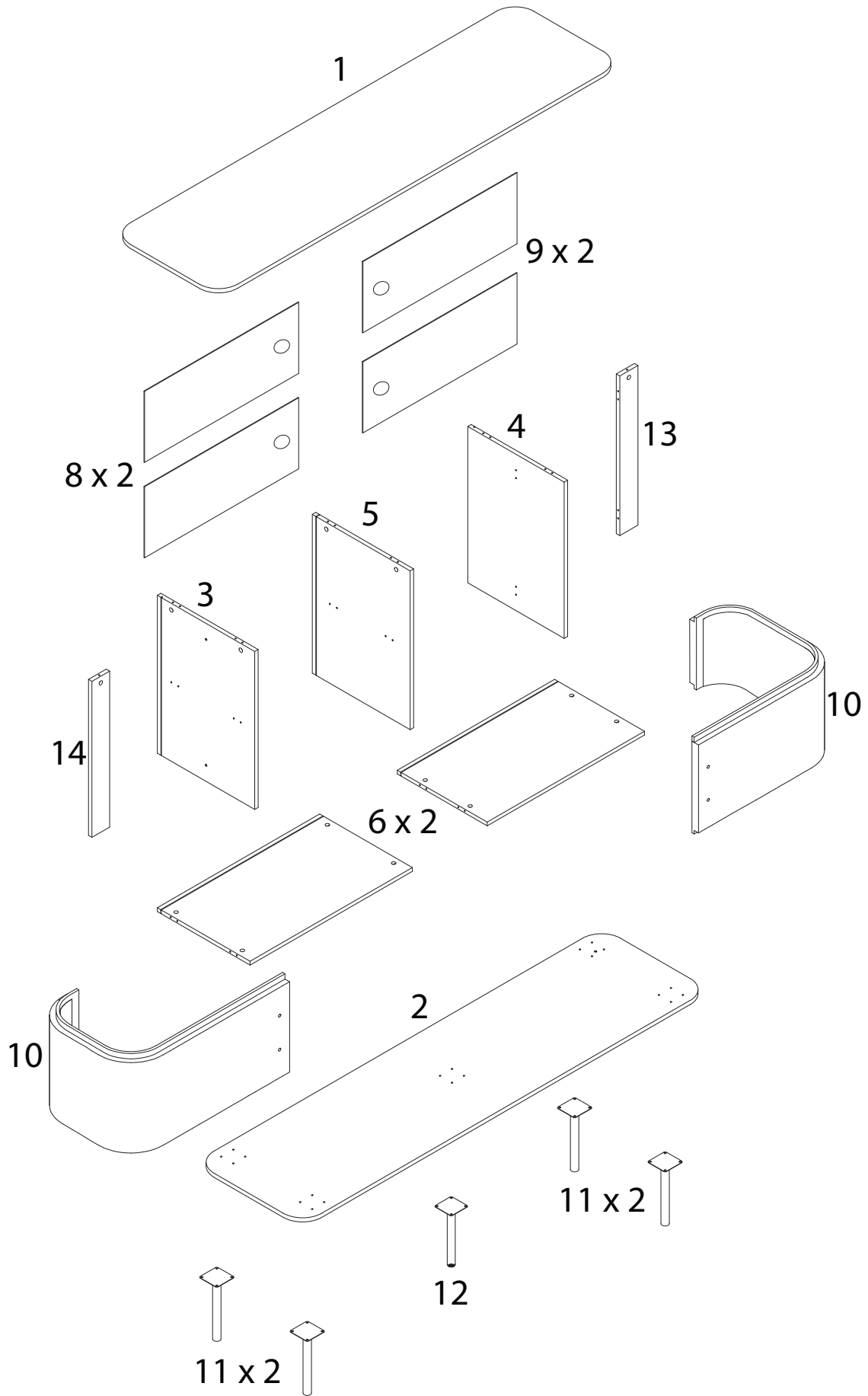




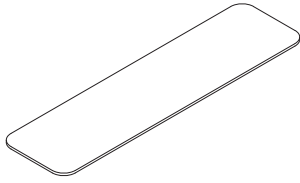
60'



2

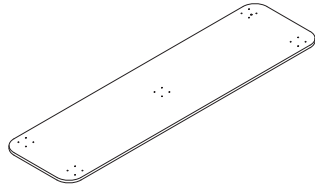


1



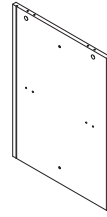
x 1

2



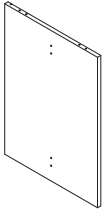
x 1

3



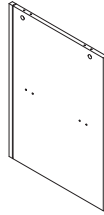
x 1

4



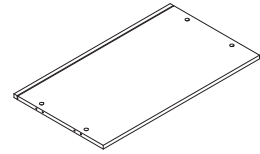
x 1

5



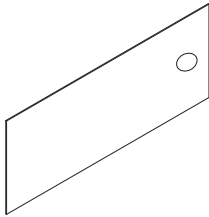
x 1

6



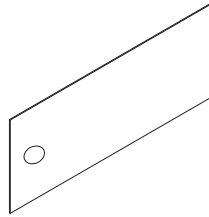
x 2

8



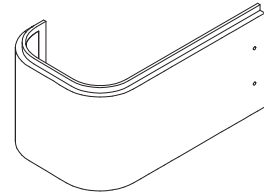
x 2

9



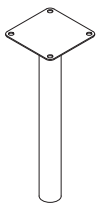
x 2

10



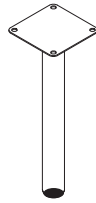
x 1

11



x 4

12



x 1

13



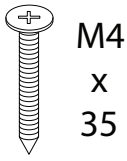
x 1

14



x 1

A



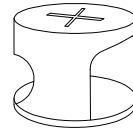
x 14

B



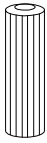
x 16

C



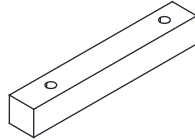
x 16

D



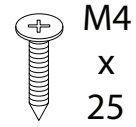
x 24

E



x 2

F



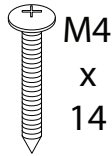
x 4

G



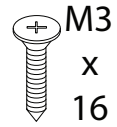
x 2

H



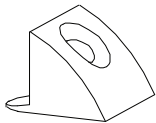
x 22

I



x 16

J



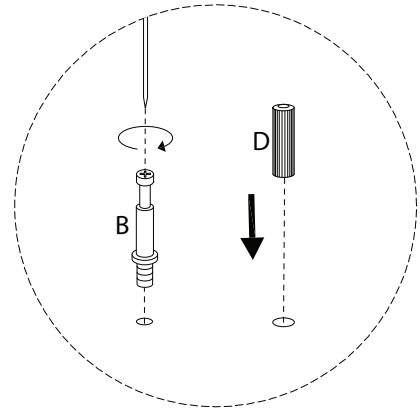
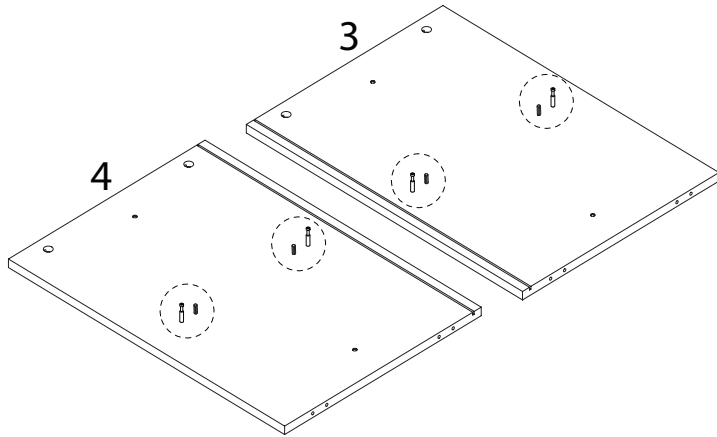
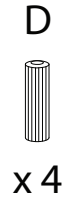
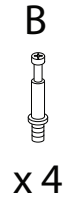
x 16

K

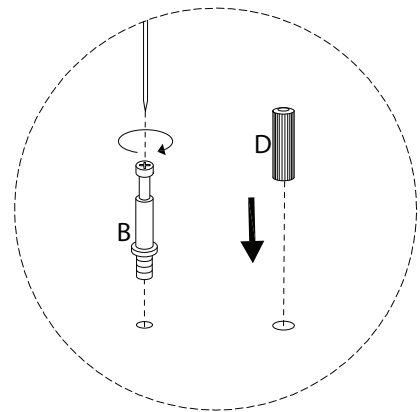
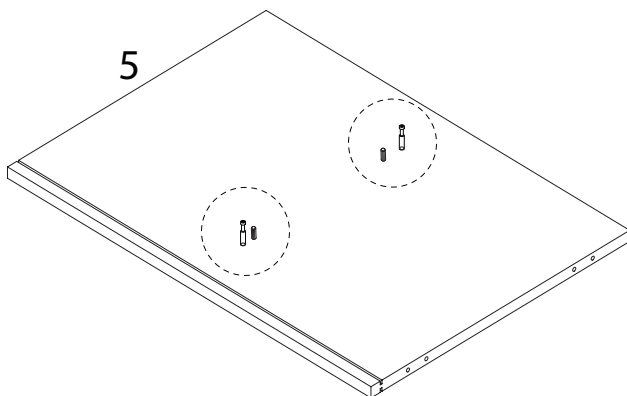
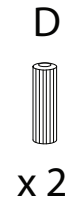
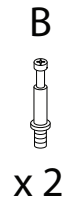
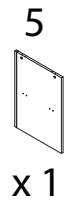


x 2

1



2



3

B

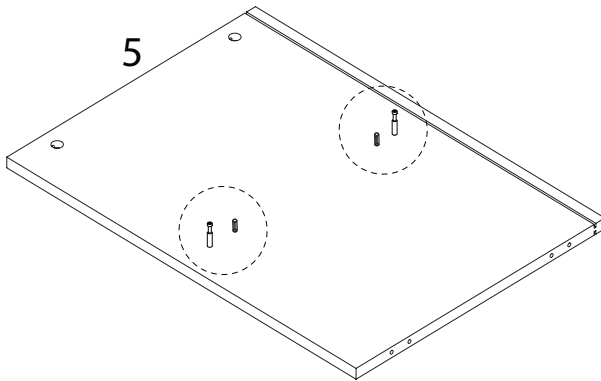


x 2

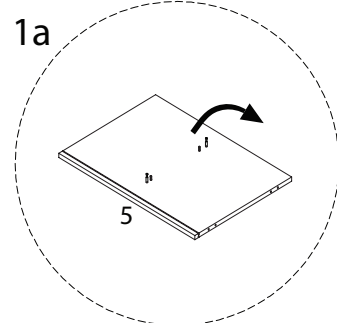
D



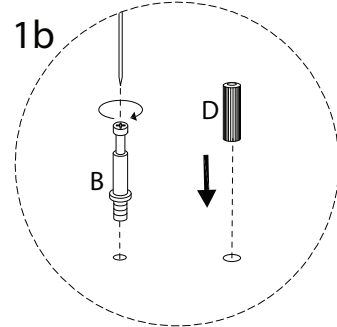
x 2



1a

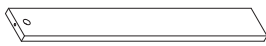


1b



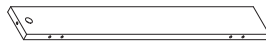
4

13



x 1

14

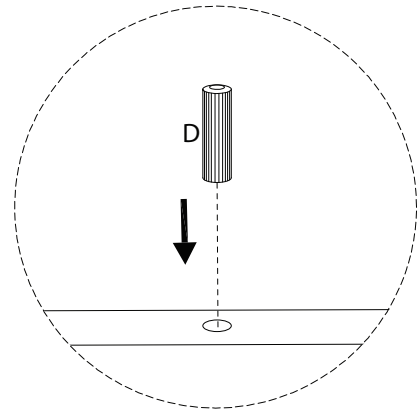
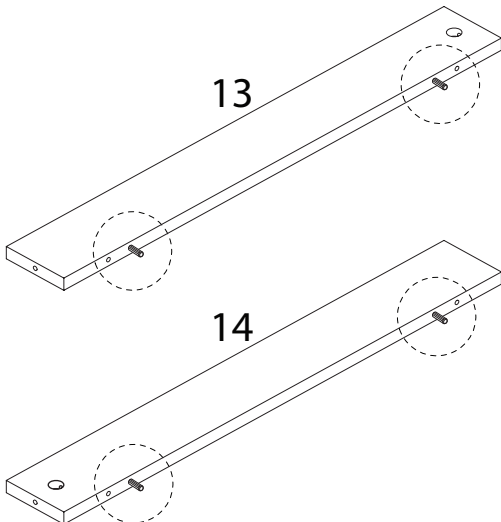


x 1

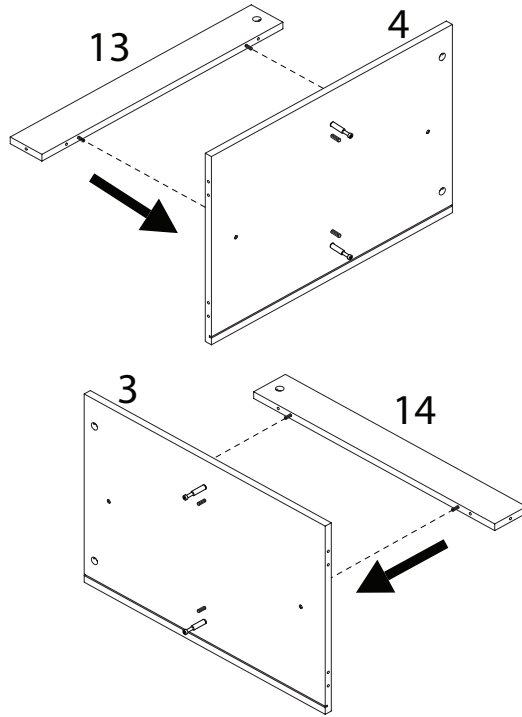
D



x 4

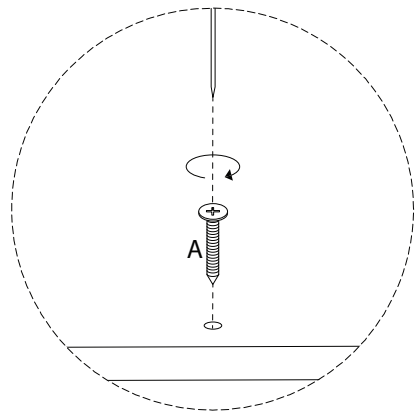
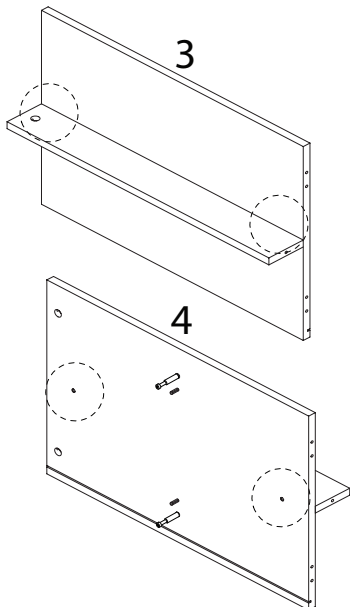


5



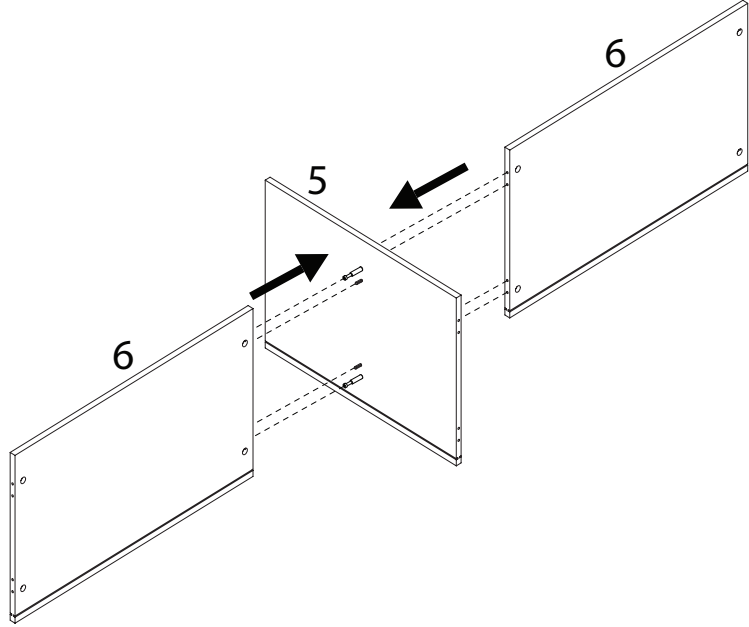
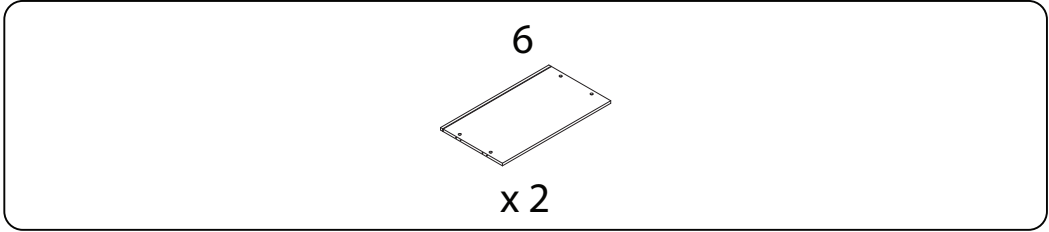
6

A  
M4  
x  
35  
x 4

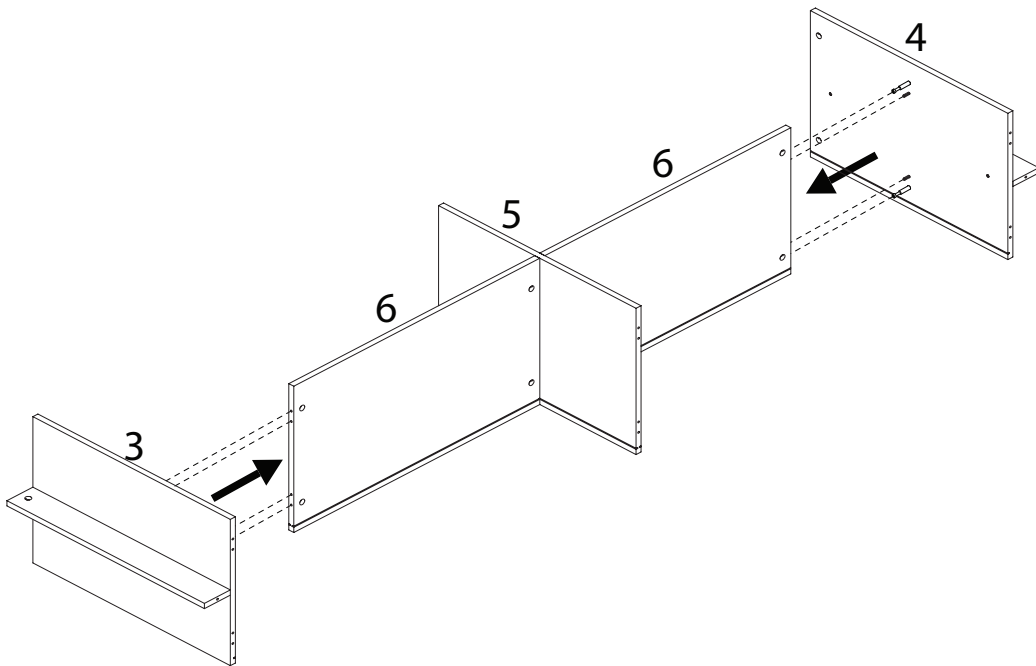




7



8

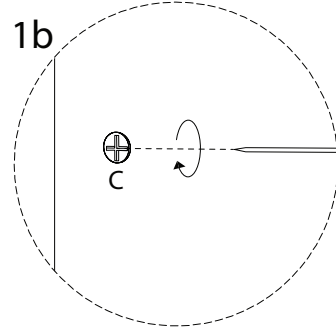
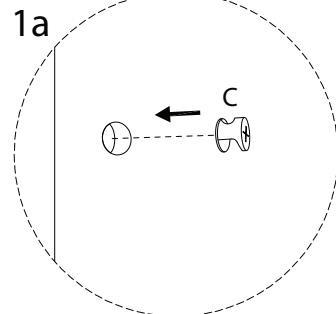
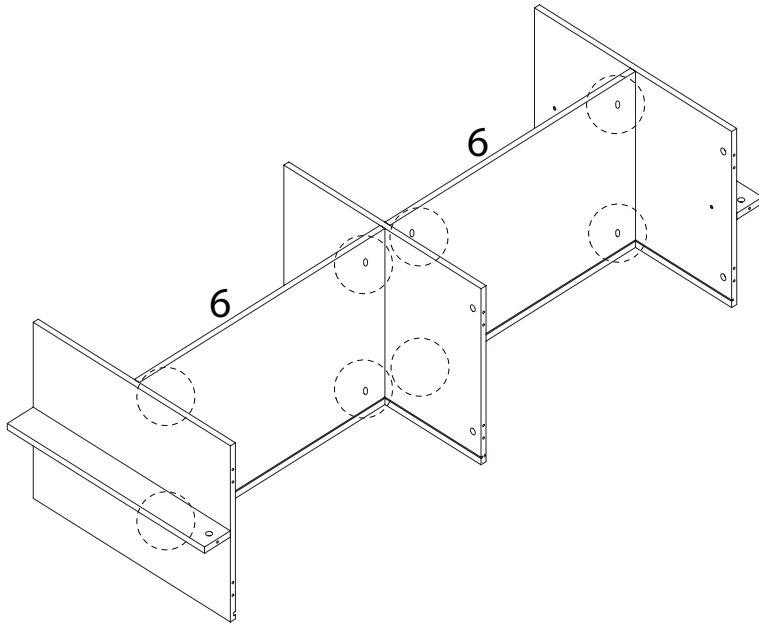


9

C

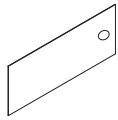


x 8



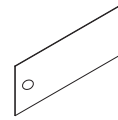
10

8

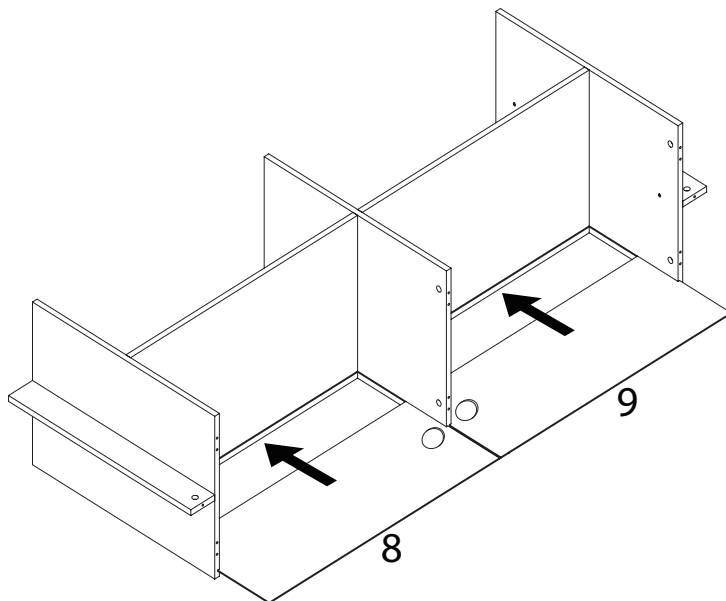


x 1

9

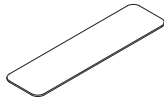


x 1



11

1

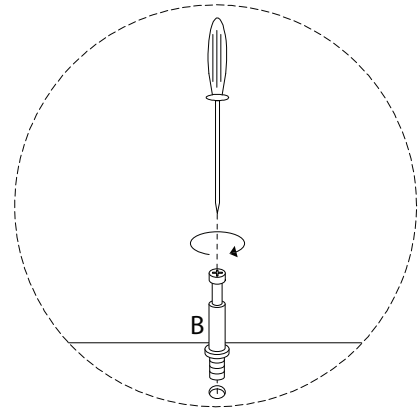
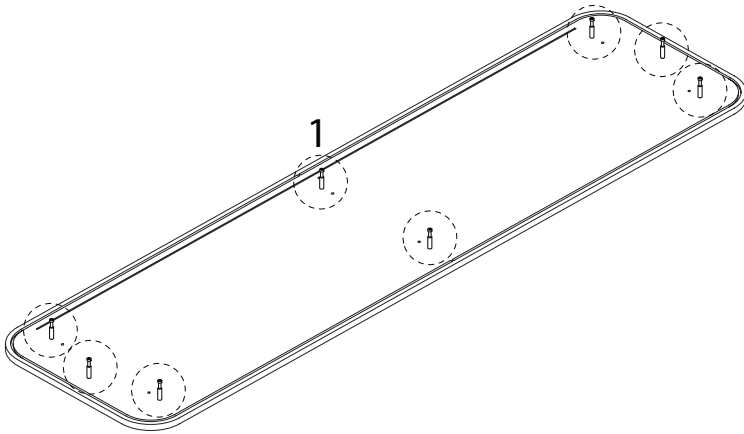


x 1

B



x 8

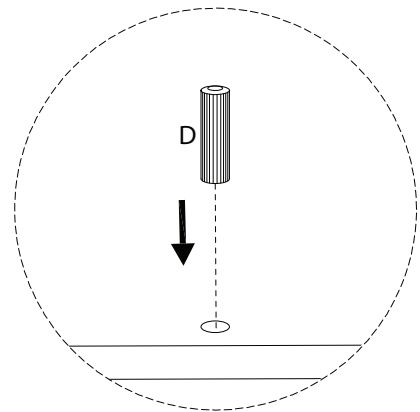
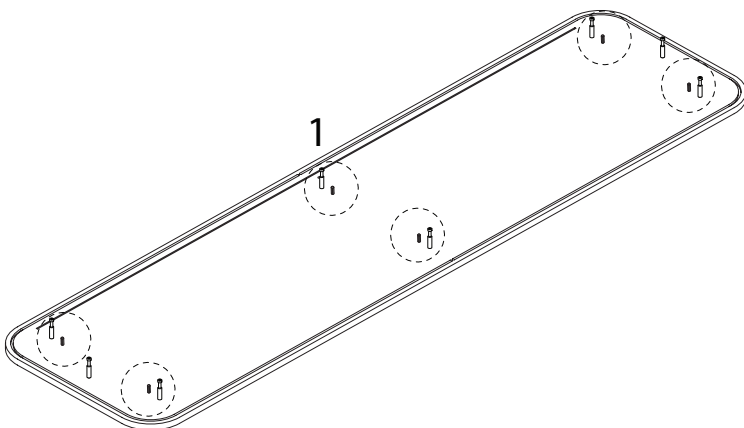


12

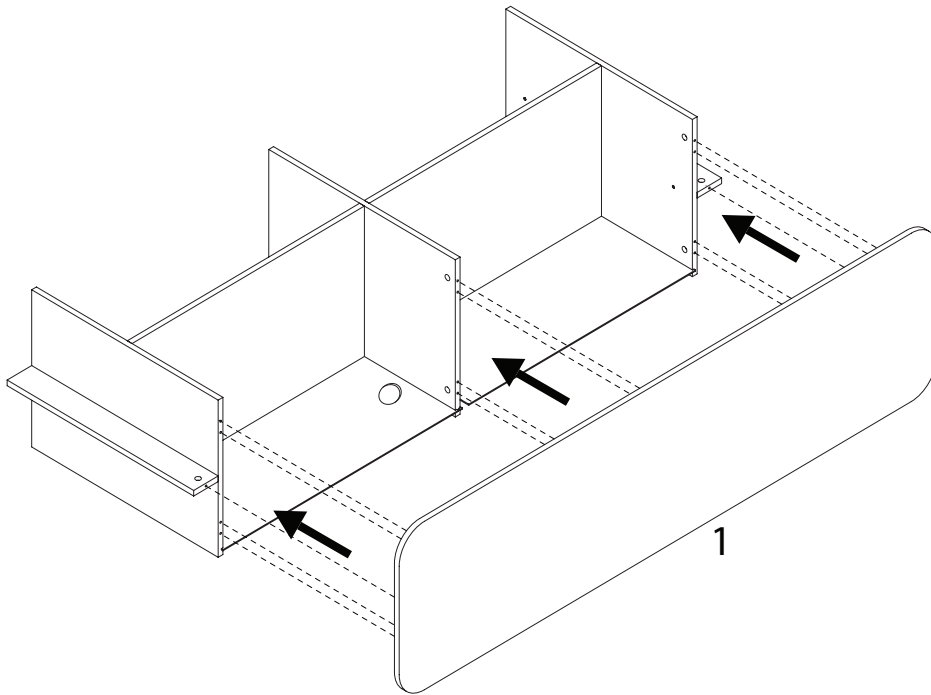
D



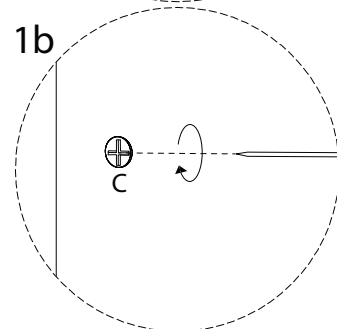
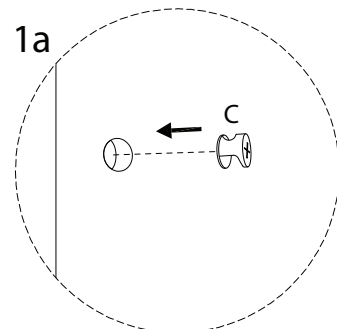
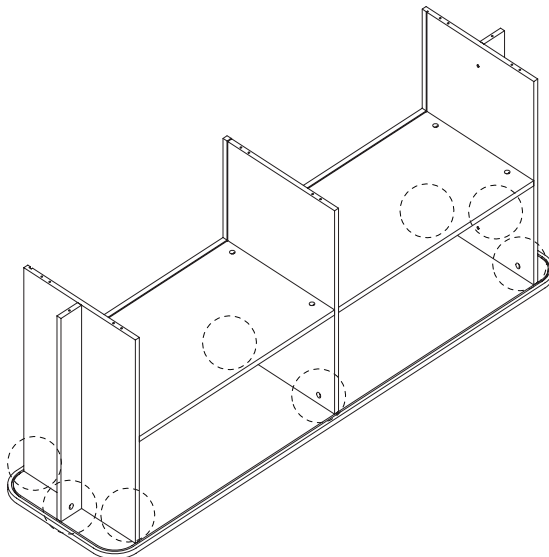
x 6



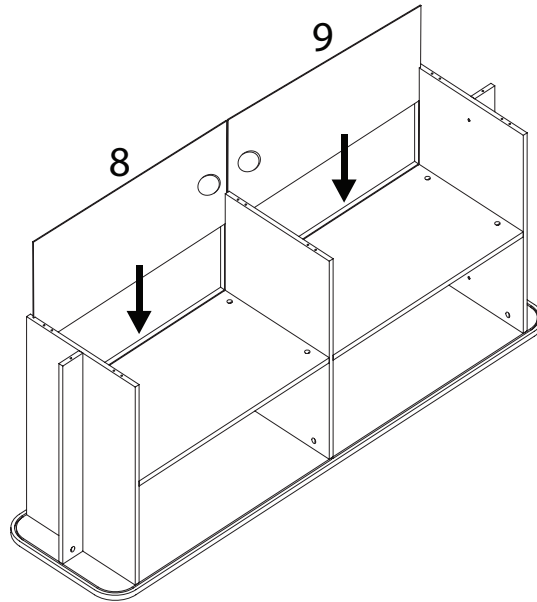
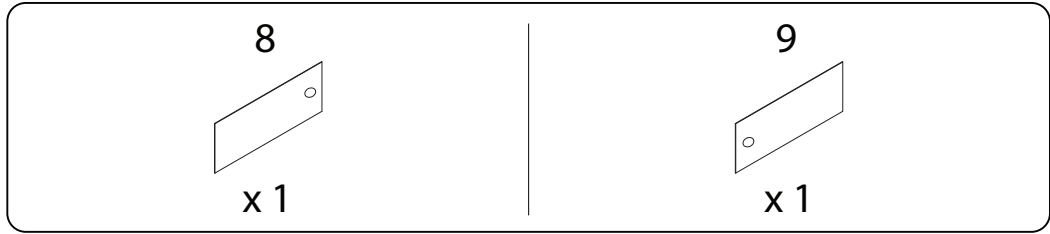
13



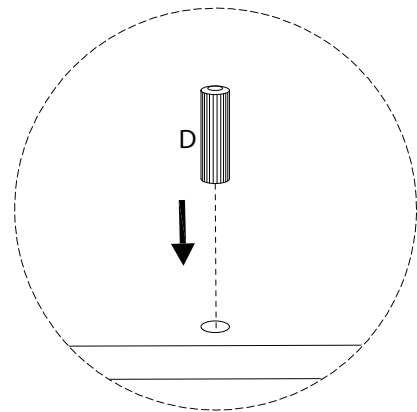
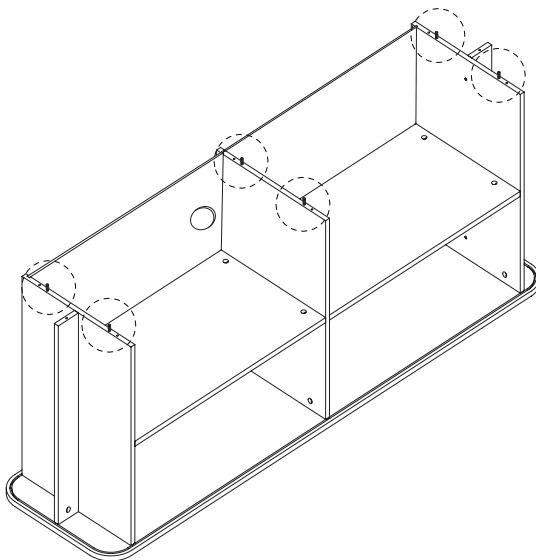
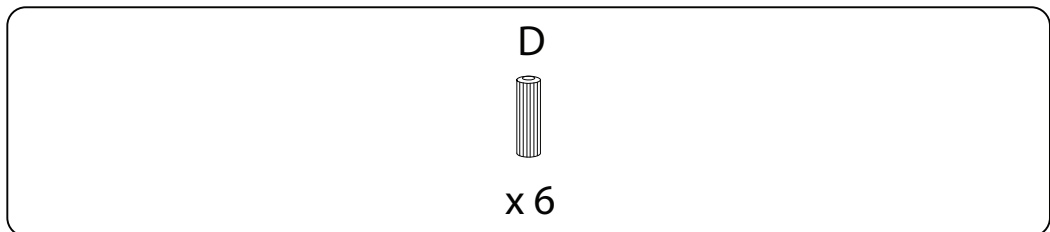
14



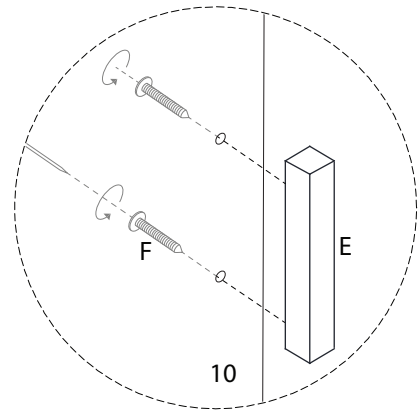
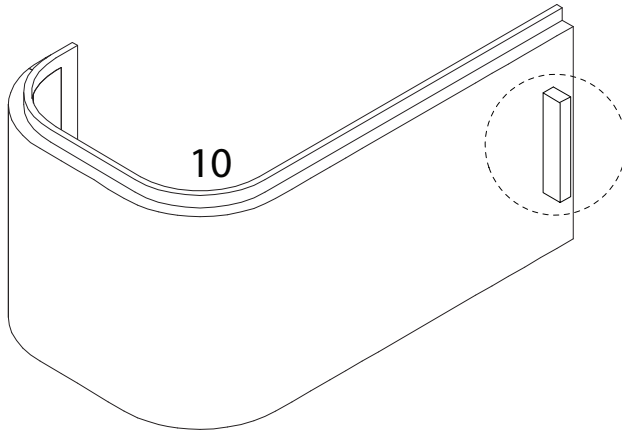
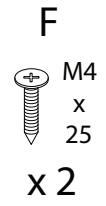
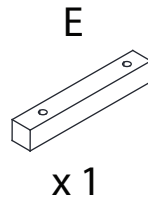
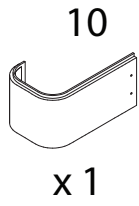
15



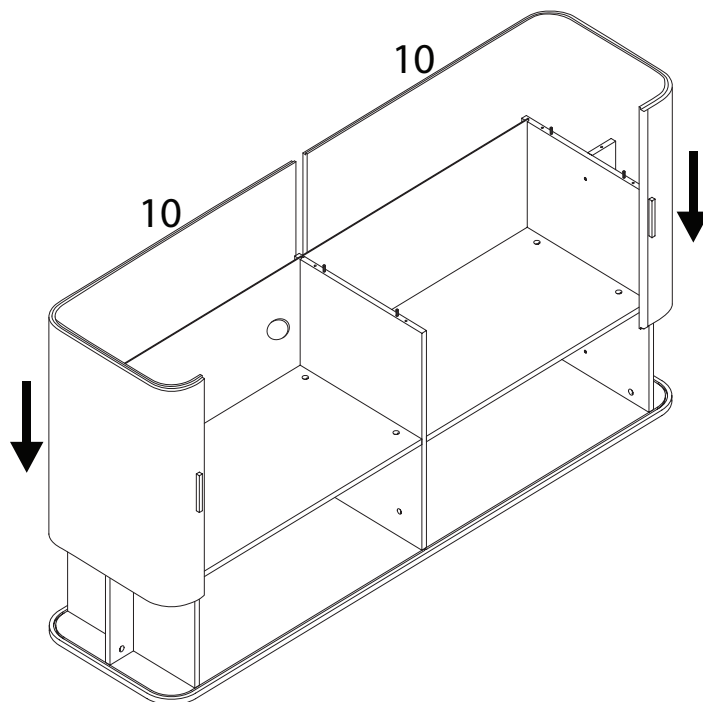
16



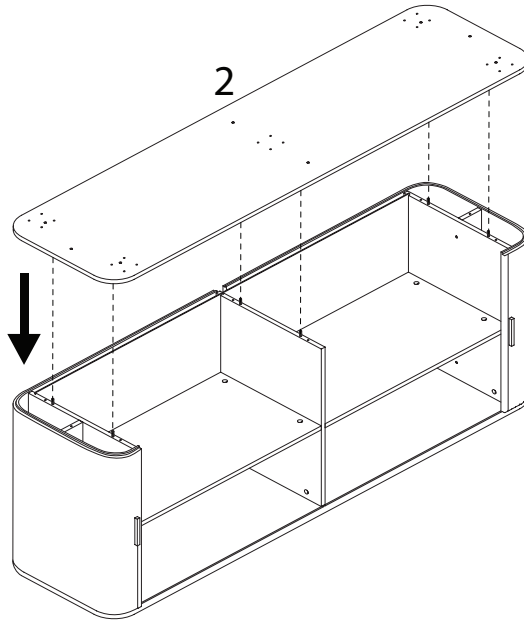
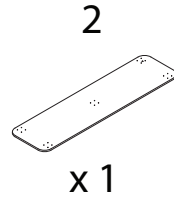
17 x 2



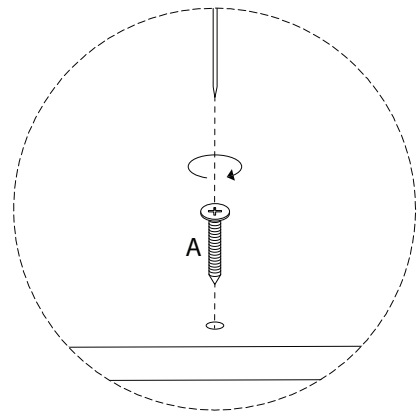
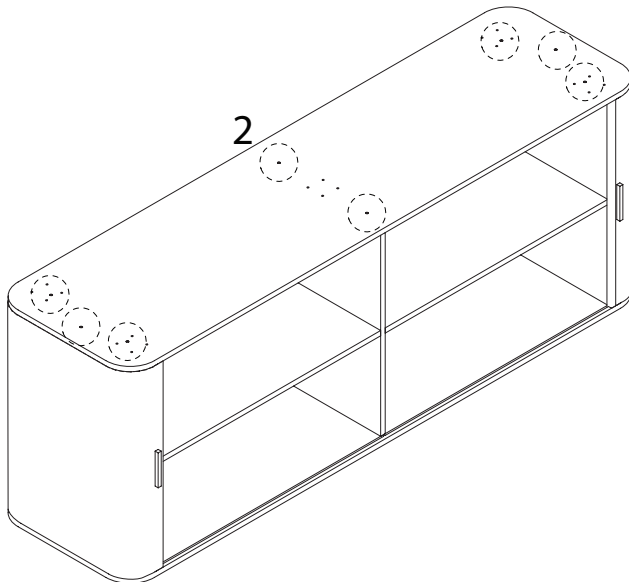
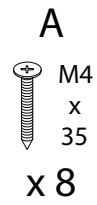
18



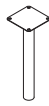
19



20

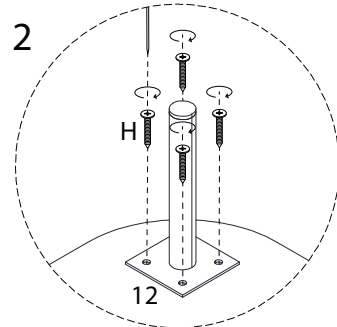
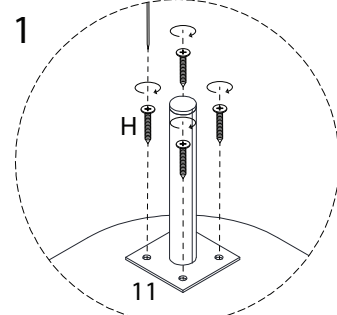
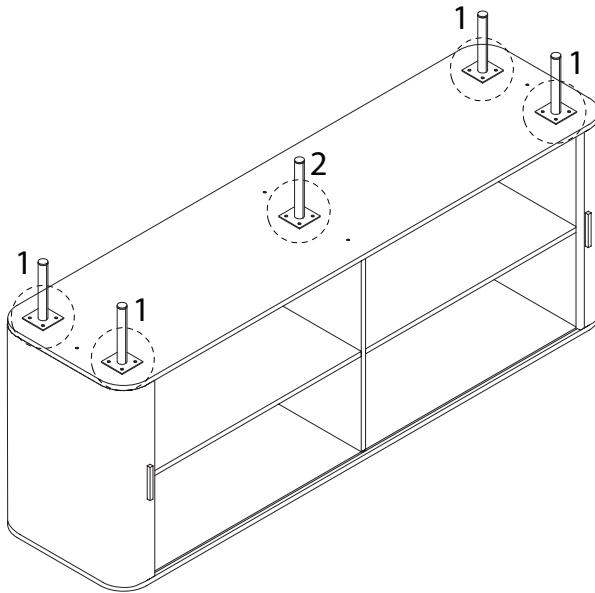


21

11  
  
x 4

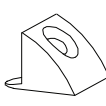
12  
  
x 1

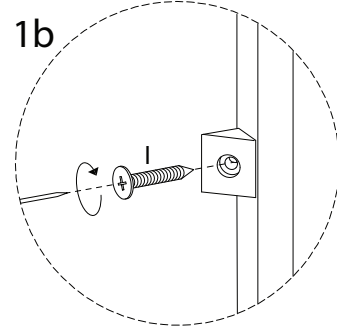
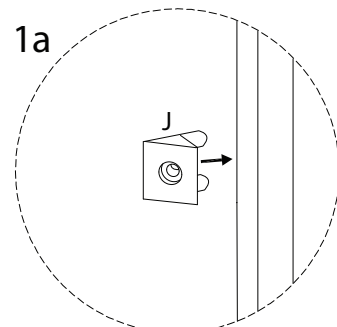
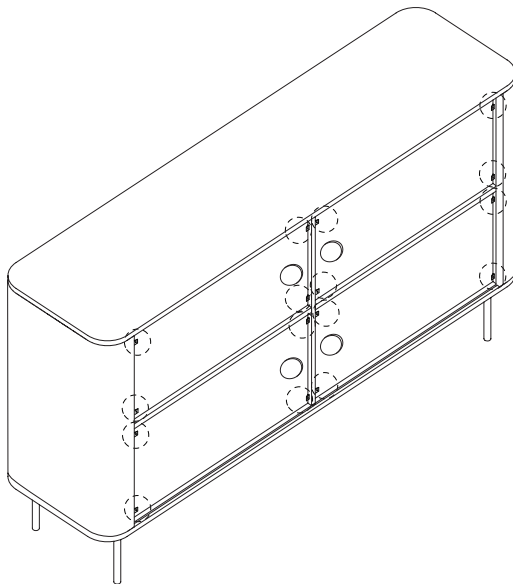
H  
  
M4  
x  
14  
x 20



22

I  
  
M3  
x  
16  
x 16


J  
  
x 16





23

A  
M4  
x  
35  
x 2

G  
  
x 2

H  
M4  
x  
14  
x 2

K  
  
x 2

