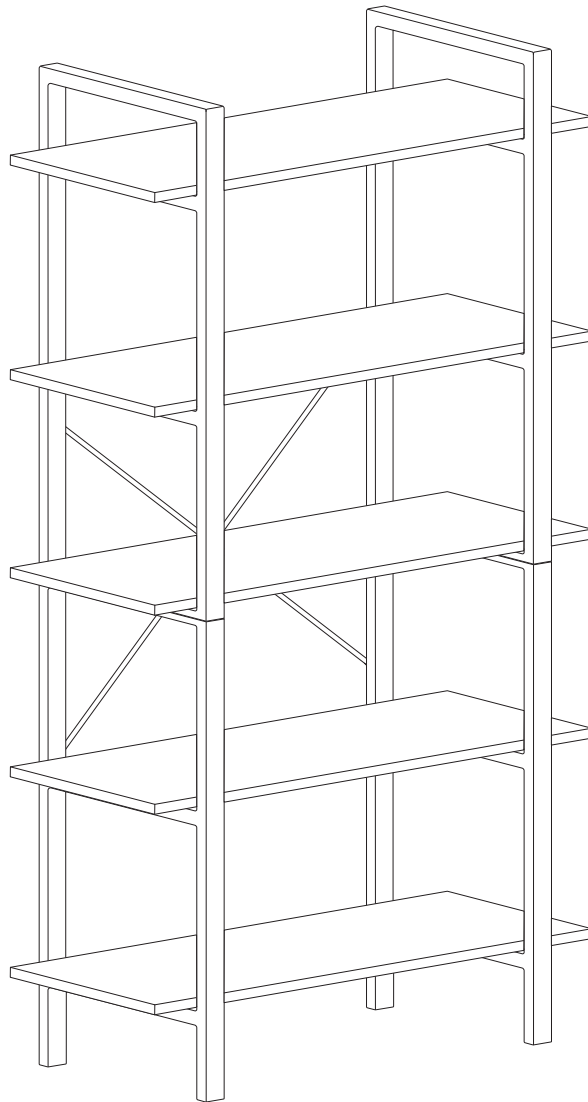
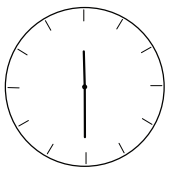
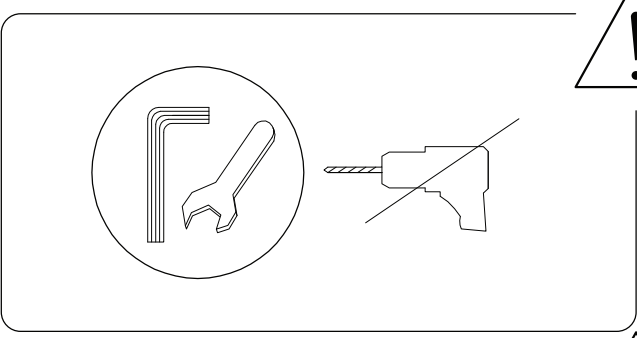
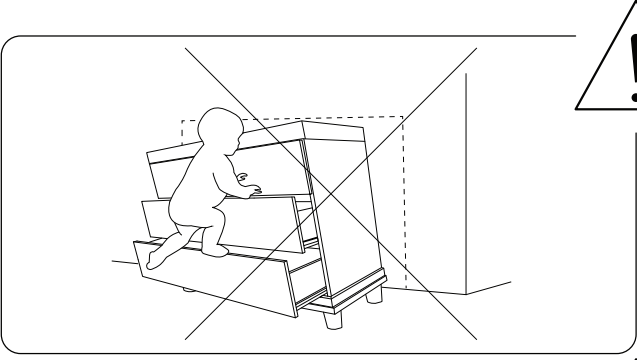
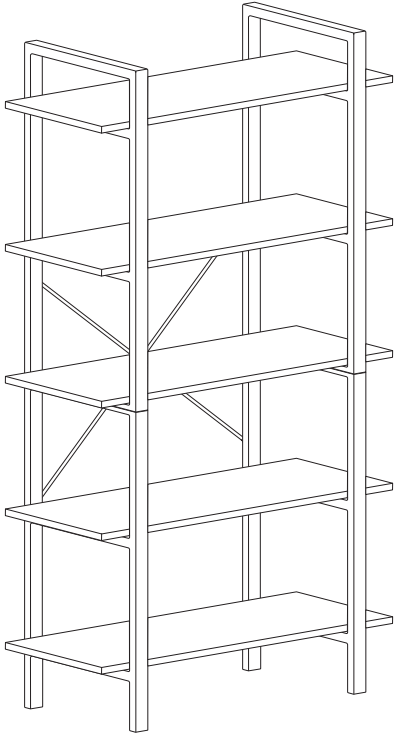
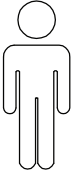
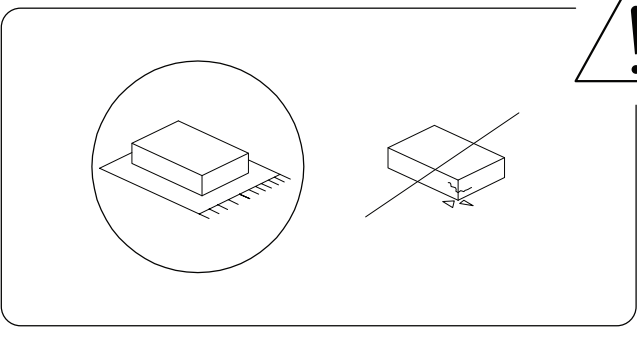


# DARBY II

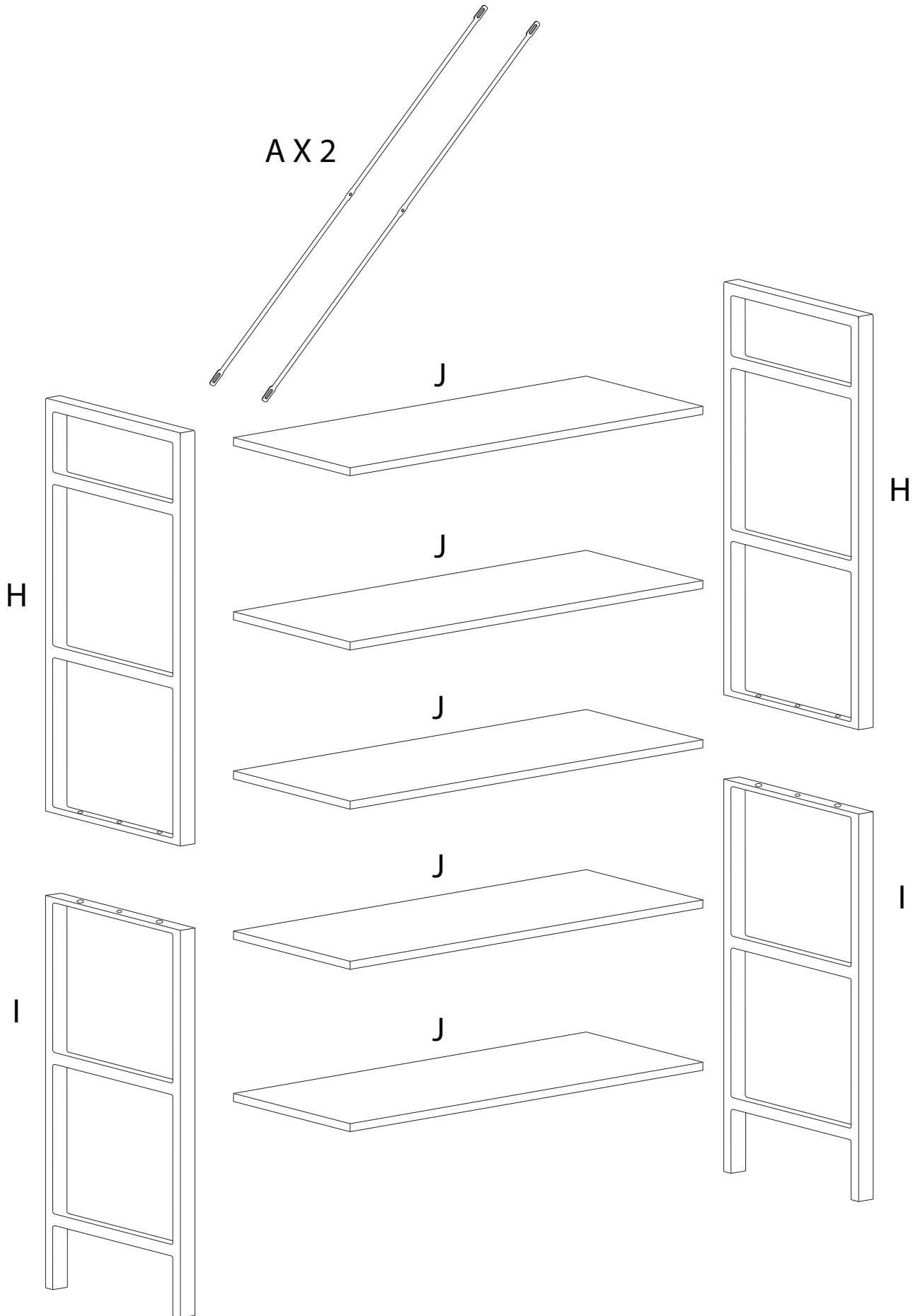




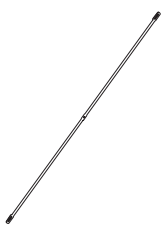
30'



1

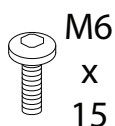


A



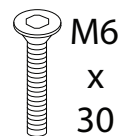
x 2

B



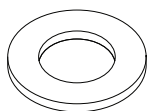
x 7

C



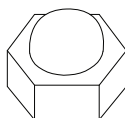
x 20

D



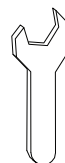
x 7

E



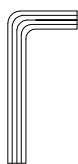
x 1

F



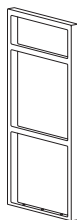
x 1

G



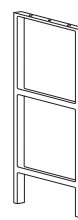
x 1

H



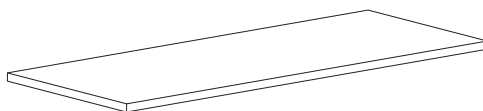
x 2

I



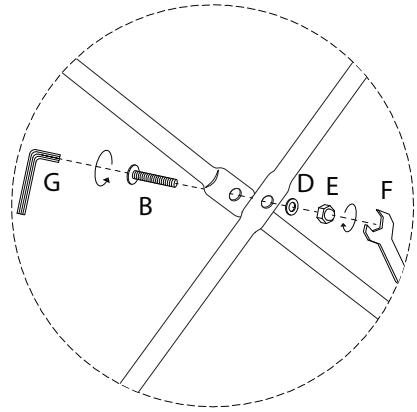
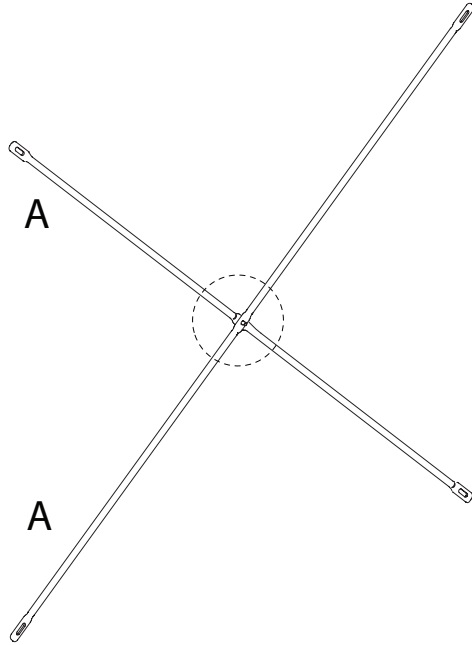
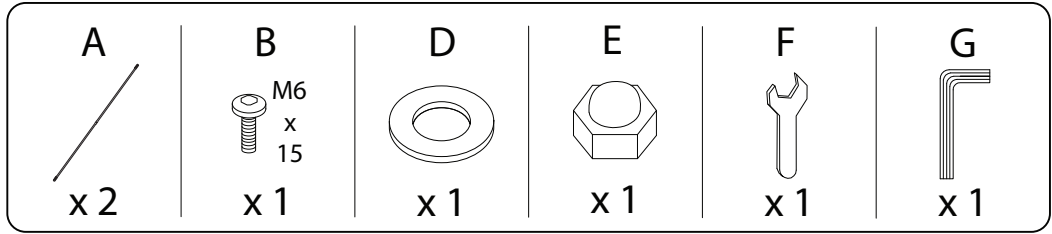
x 2

J

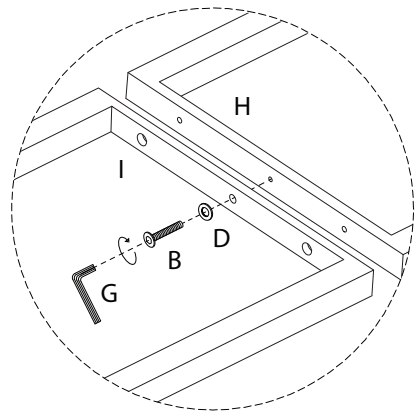
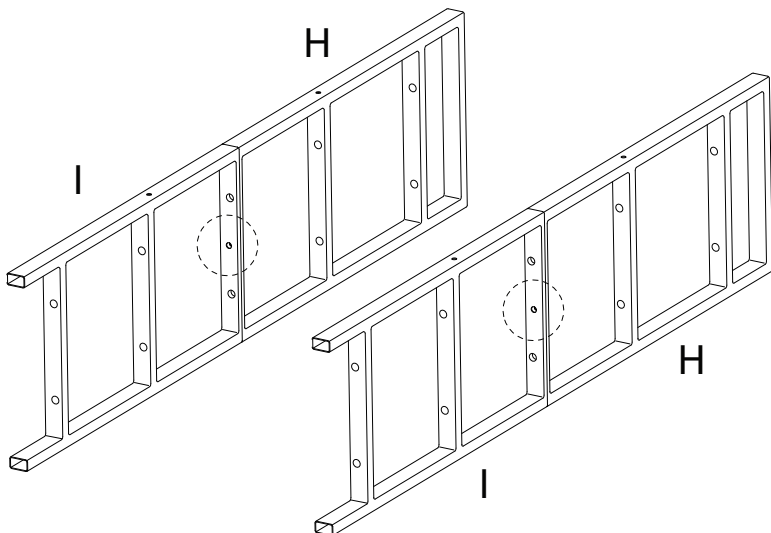
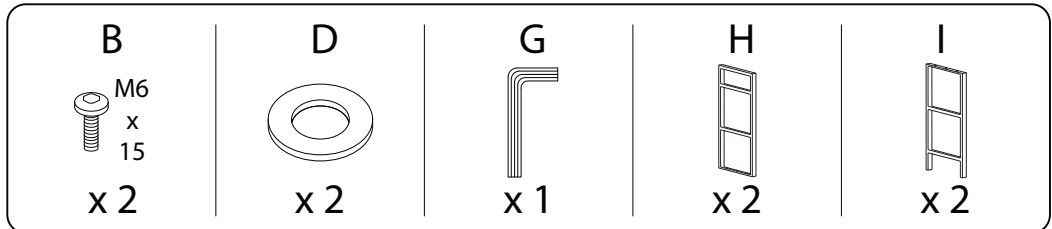


x 5

1



2

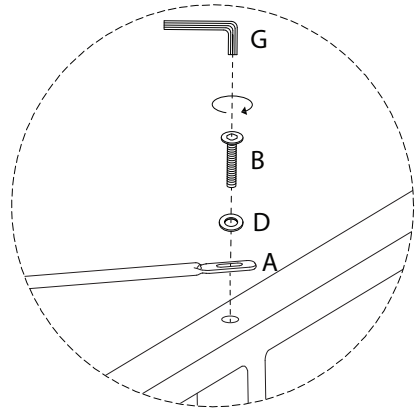
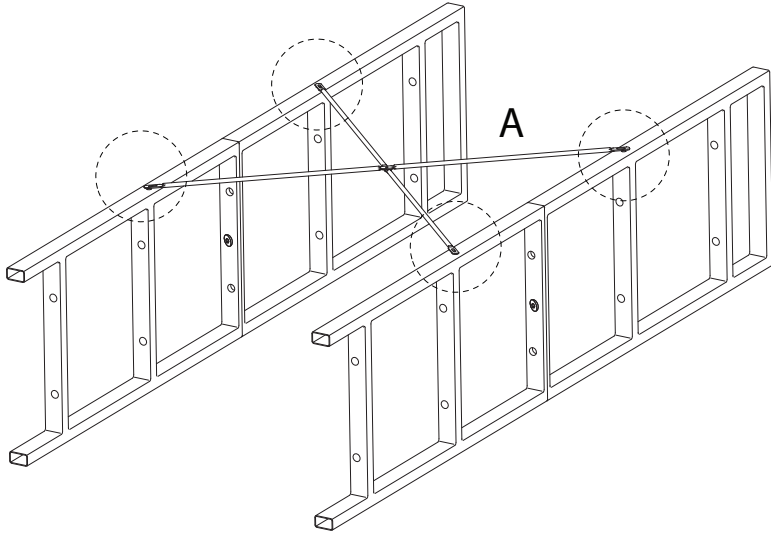


3

**B**  
M6  
x  
15  
x 4

**D**  
x 4

**G**  
x 1



4

**J**  
x 5

**C**  
M6  
x  
30  
x 20

**G**  
x 1

