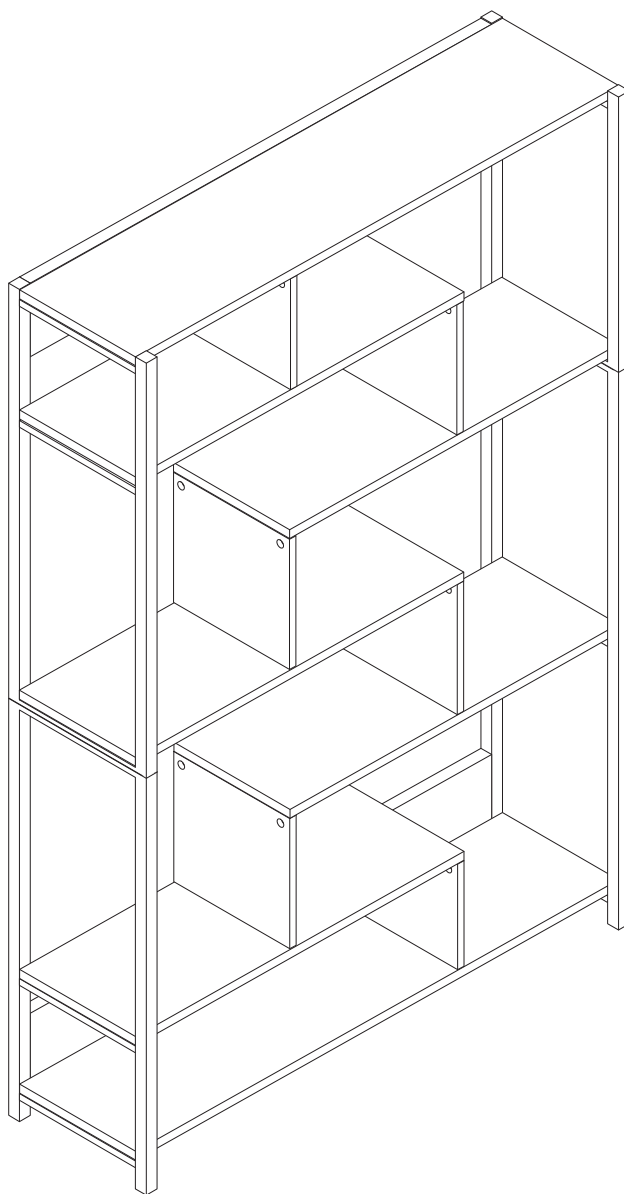
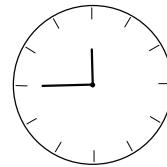
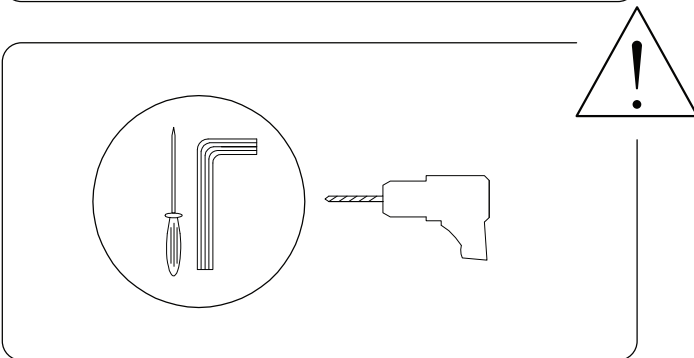
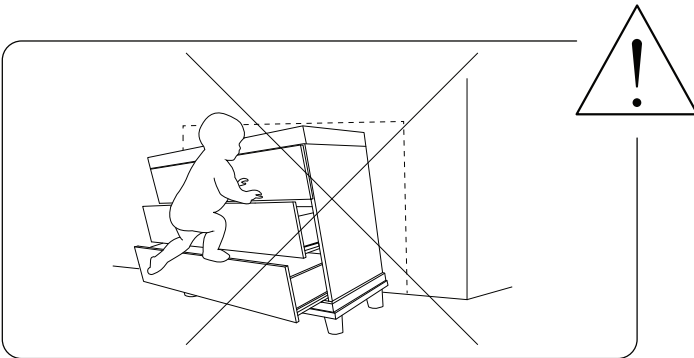
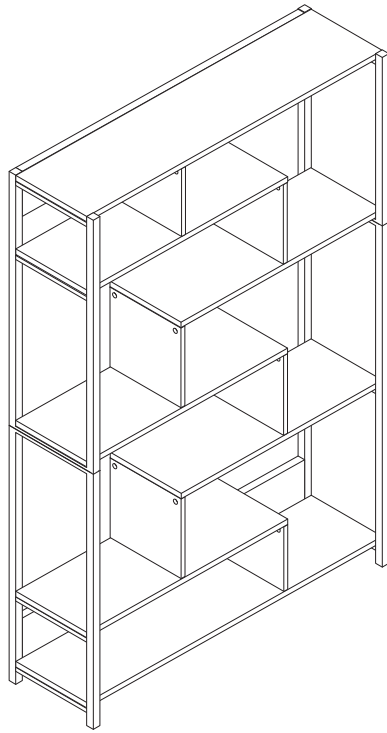
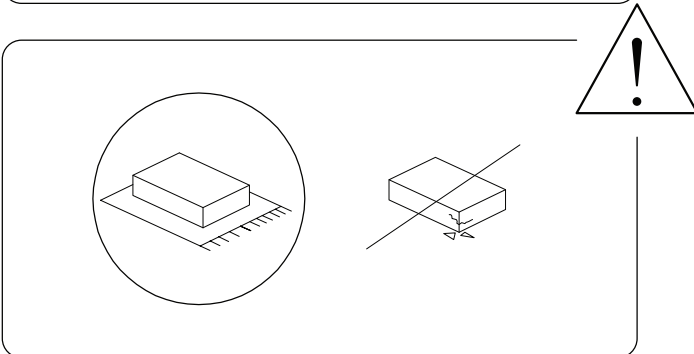


# DAVEN II

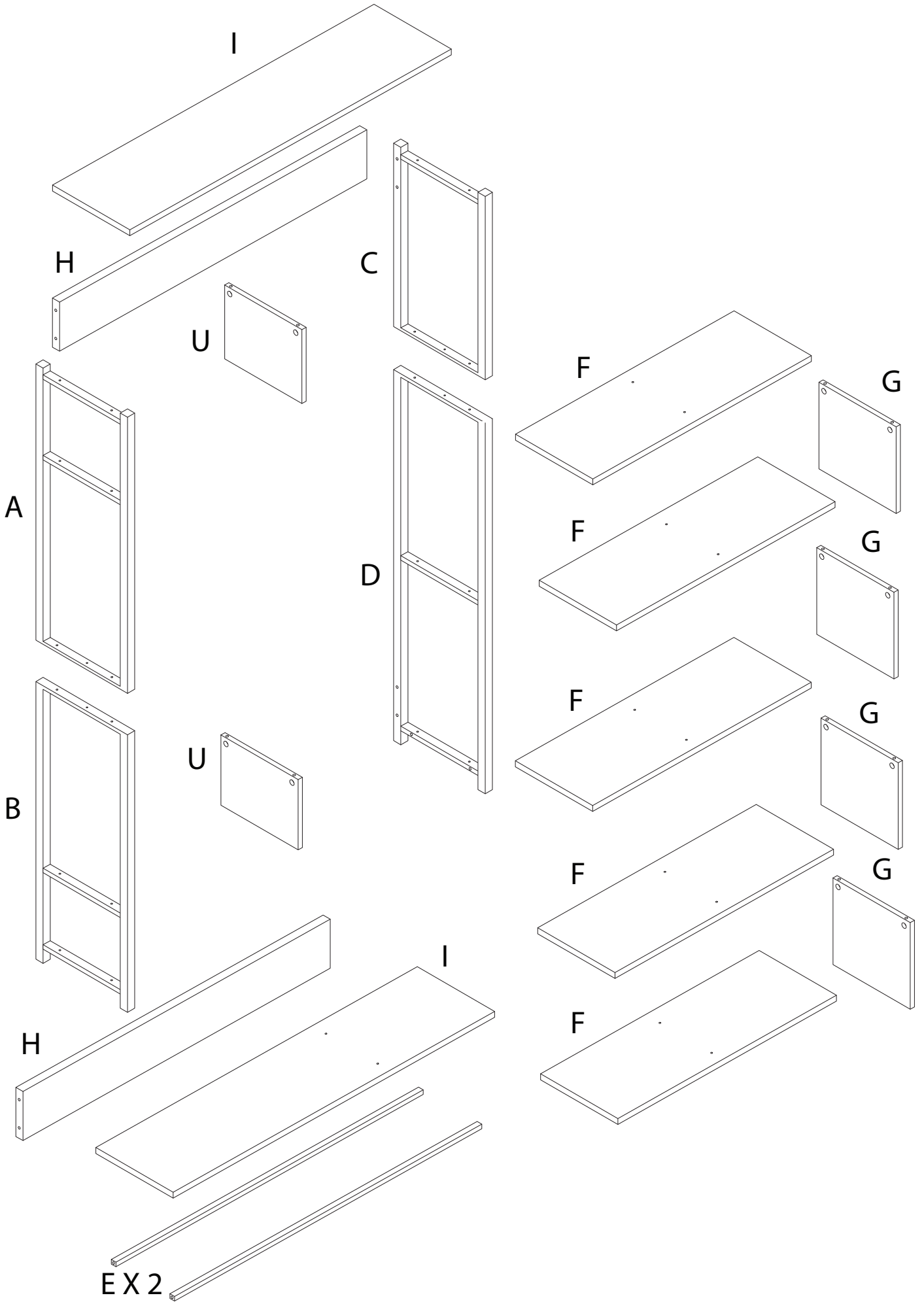


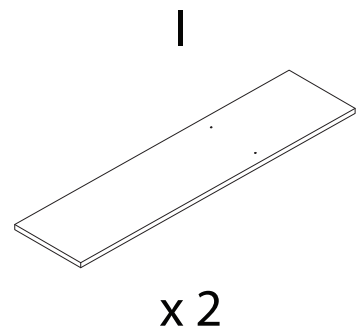
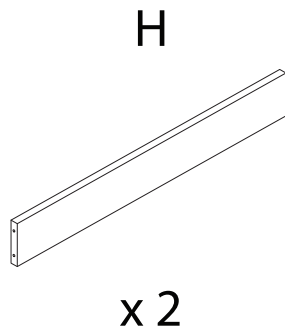
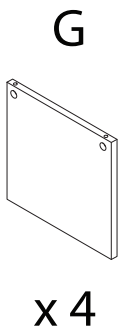
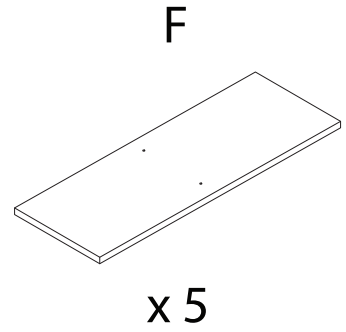
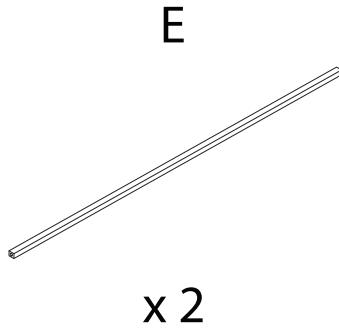
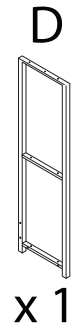
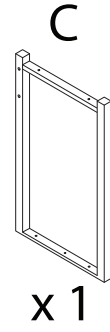
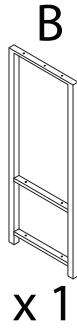
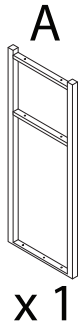


45'

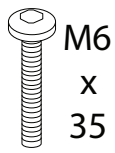


2



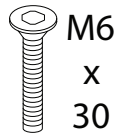


J



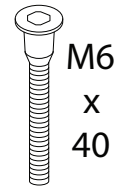
x 4

K



x 18

L



x 12

M



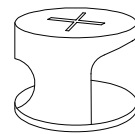
x 20

N



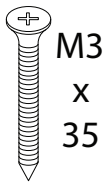
x 12

O



x 20

P



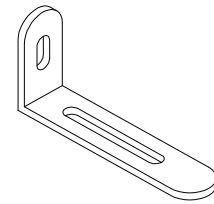
x 5

Q



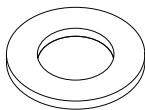
x 1

R



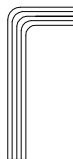
x 1

S



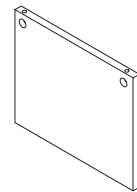
x 7

T



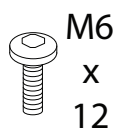
x 1

U



x 2

V



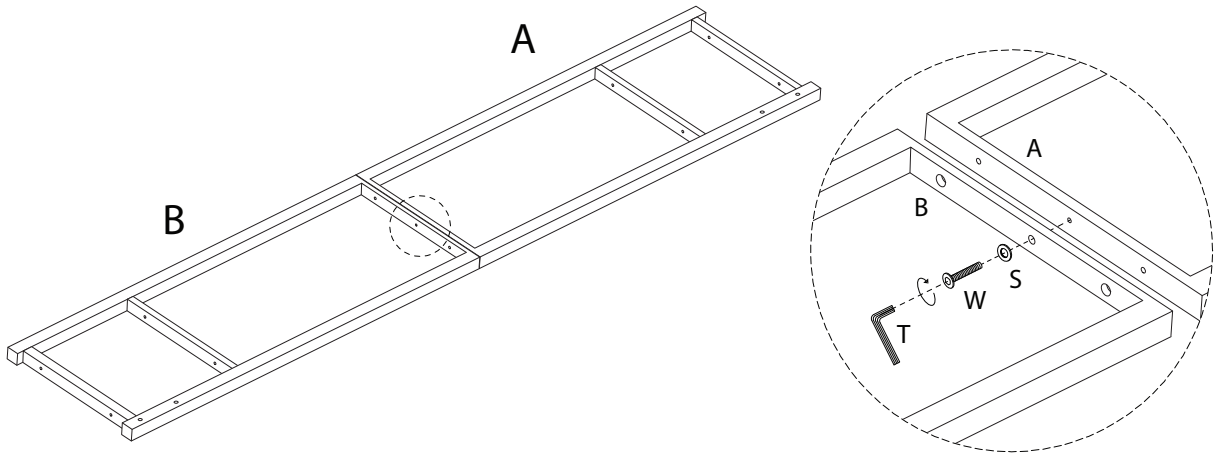
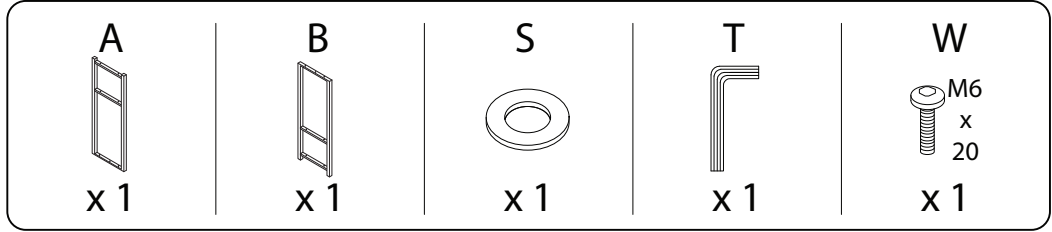
x 1

W

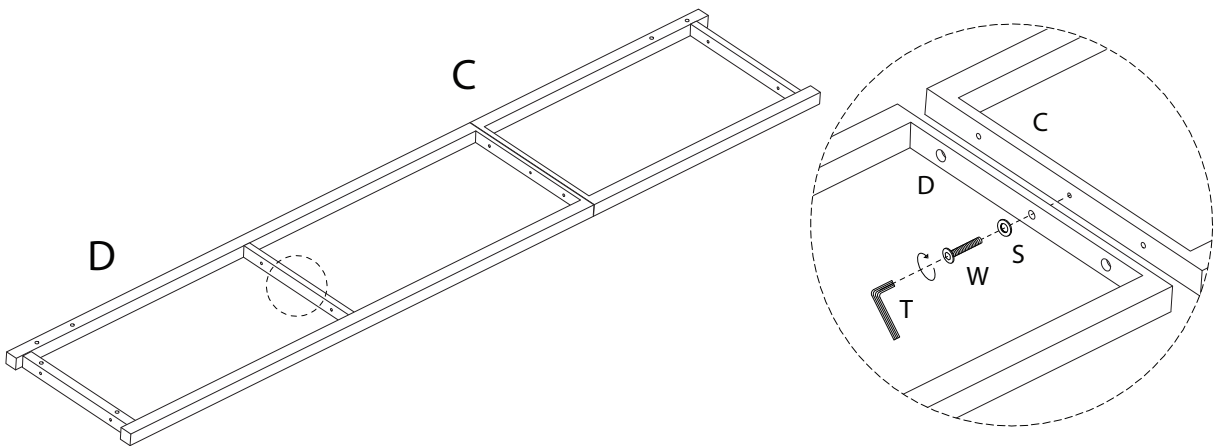
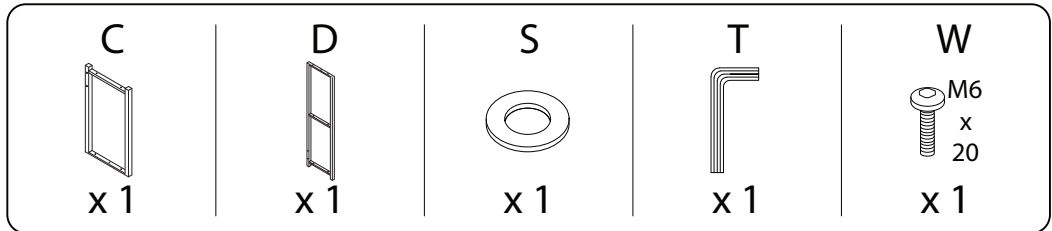


x 2

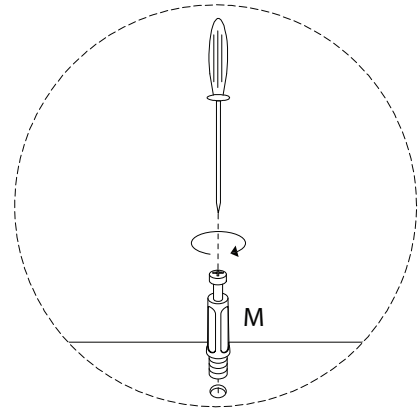
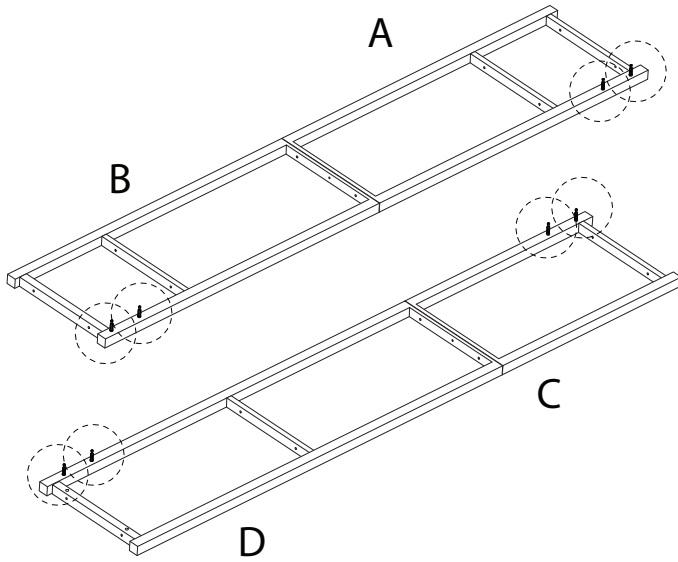
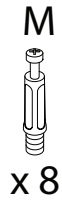
1



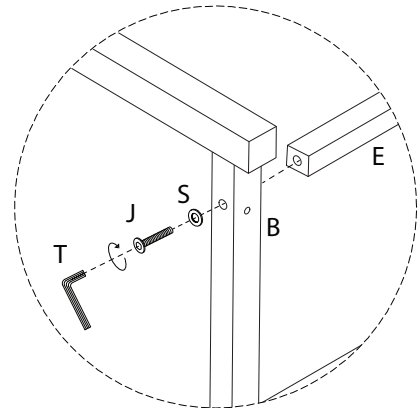
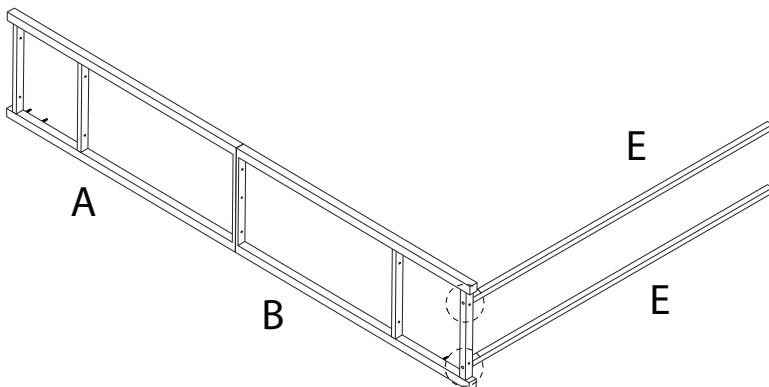
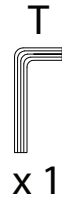
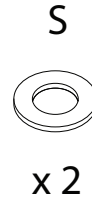
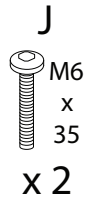
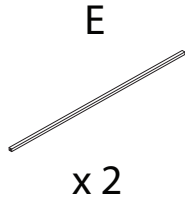
2



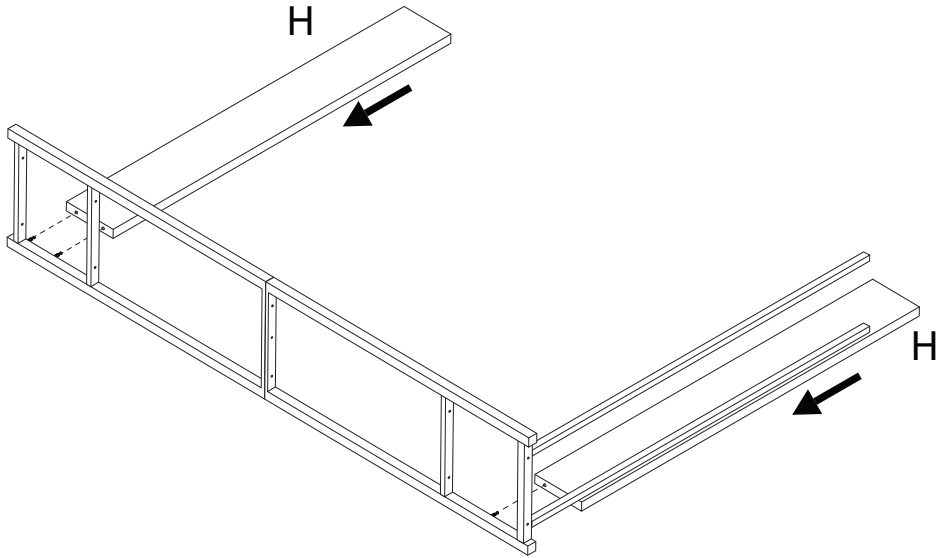
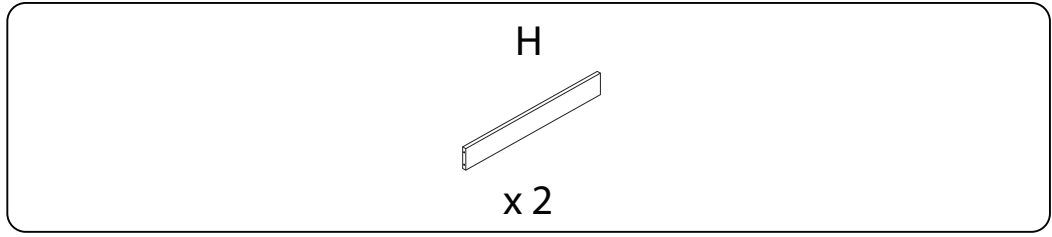
3



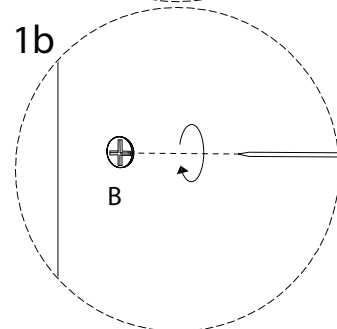
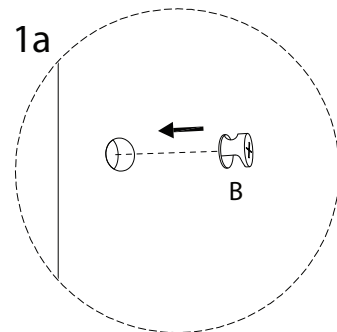
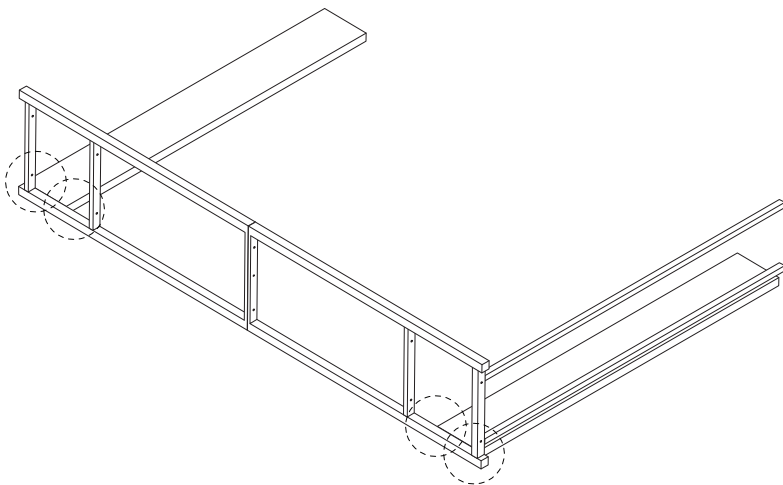
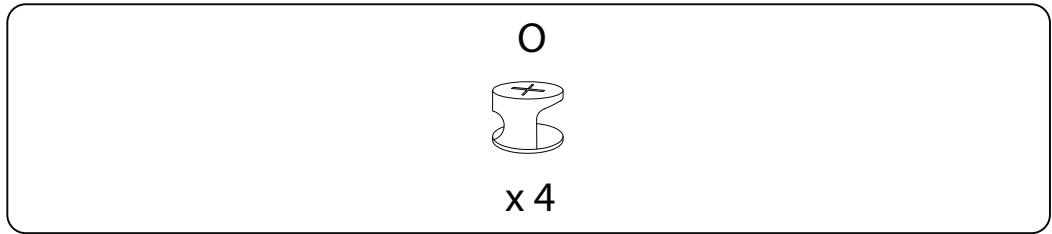
4



5

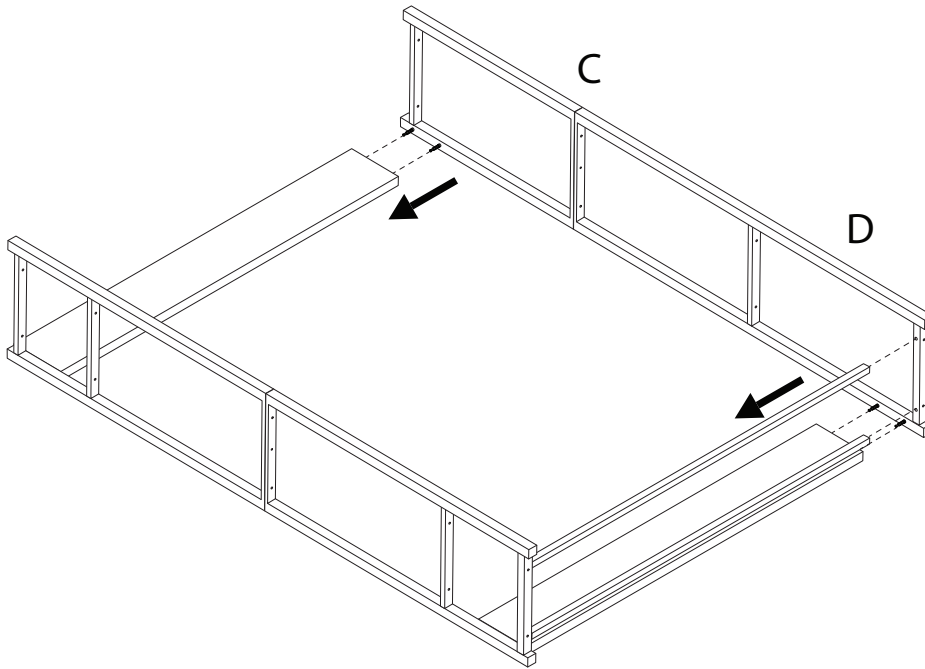


6





7

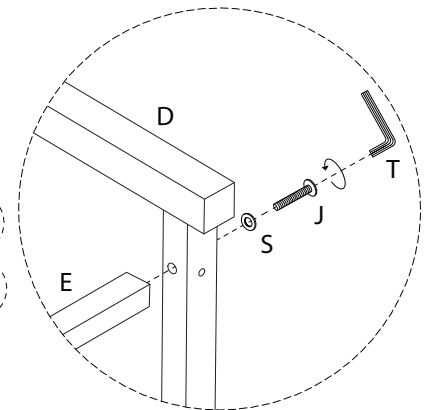
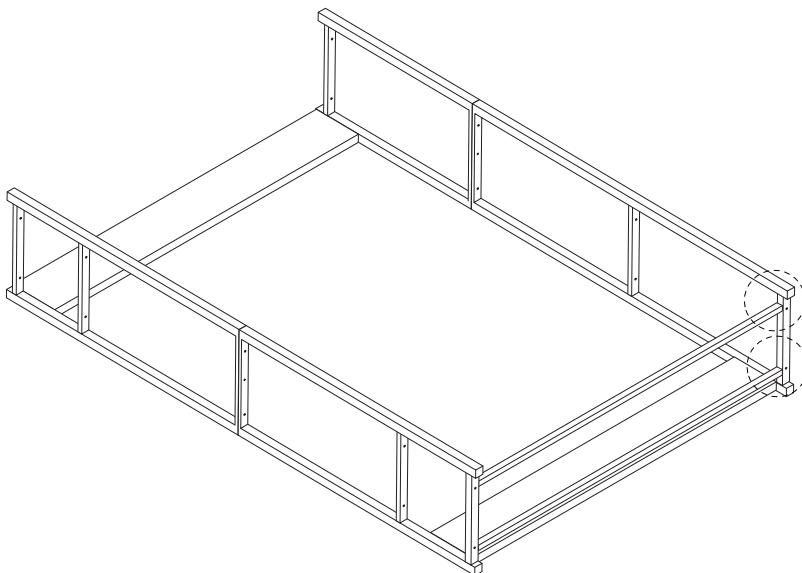


8

J  
M6  
x  
35  
x 2

S  
x 2

T  
x 1

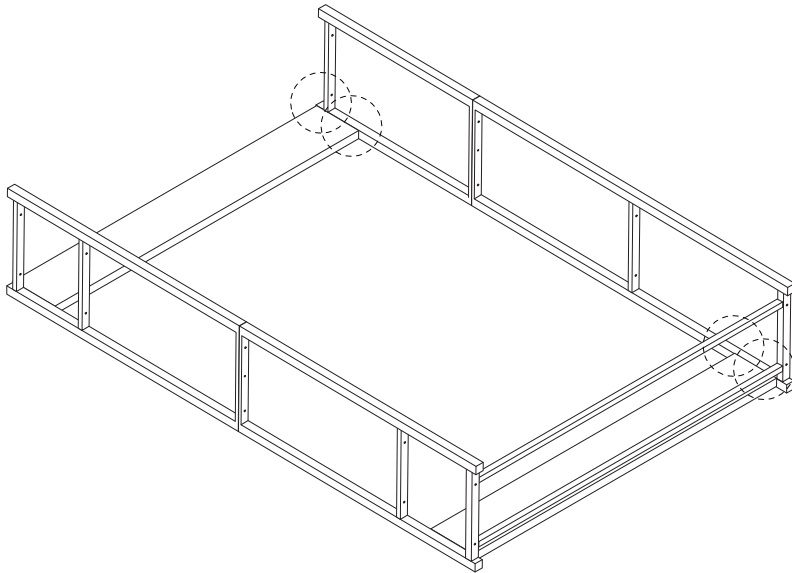


9

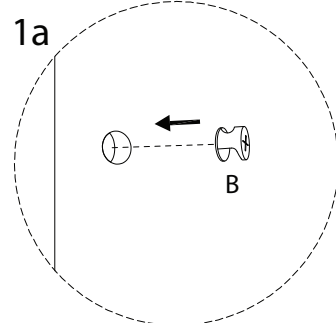
O



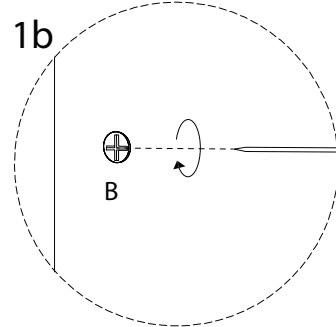
x 4



1a

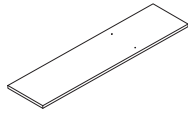


1b



10

I



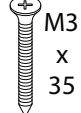
x 1

K



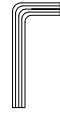
x 4

P

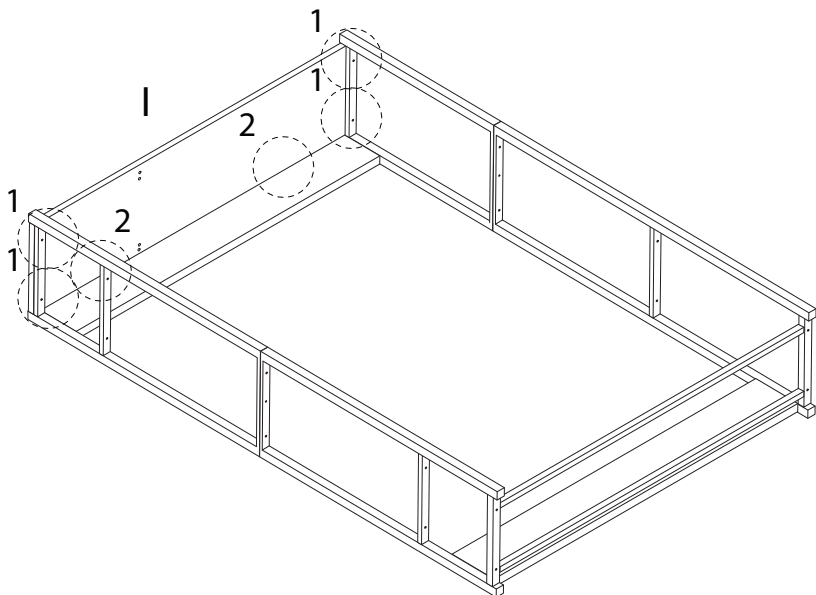


x 2

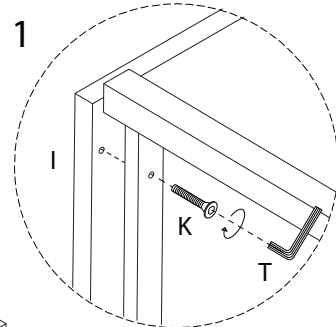
T



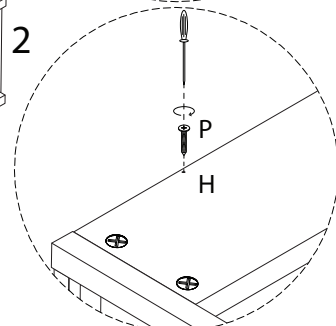
x 1



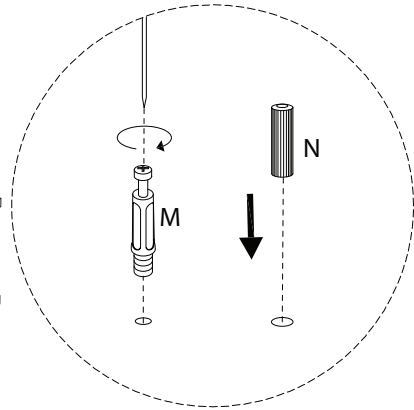
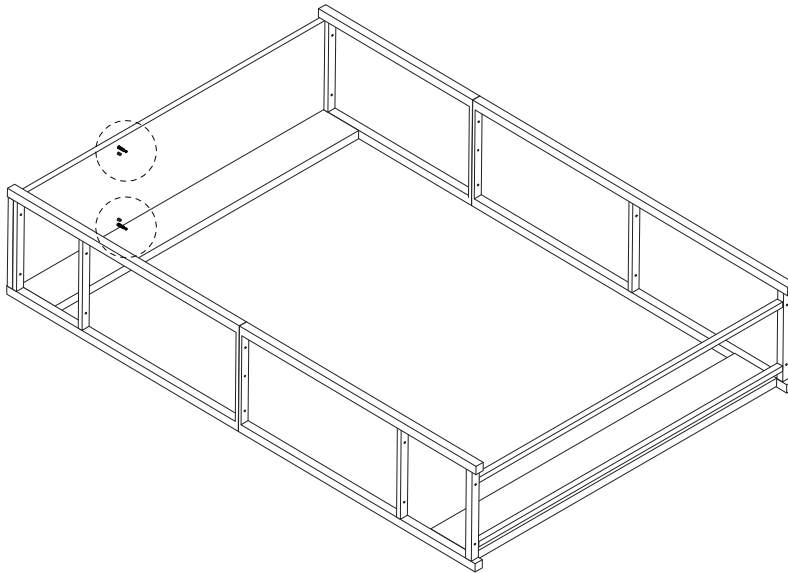
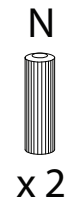
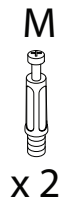
1



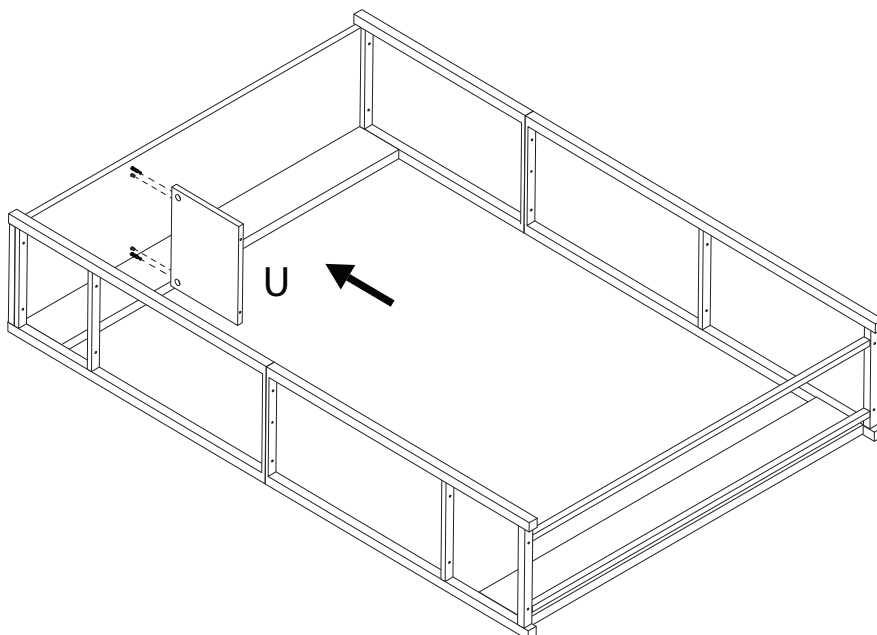
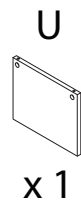
2



11



12

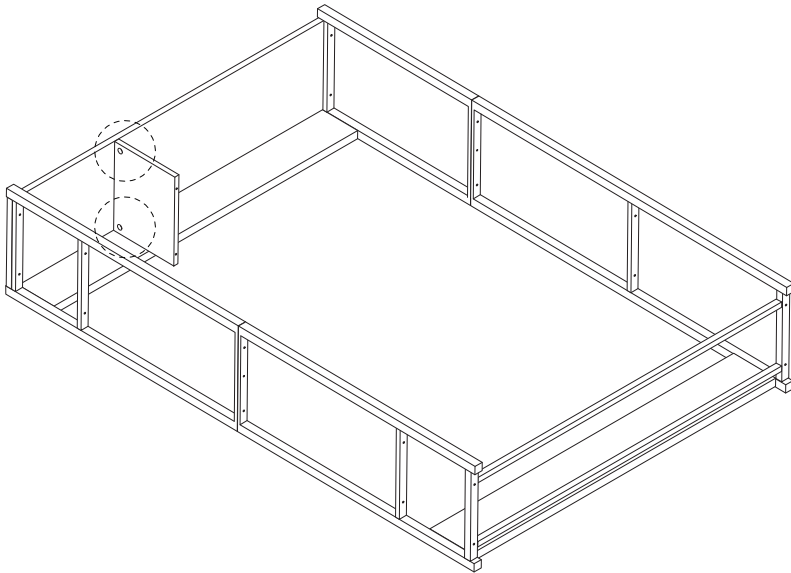


13

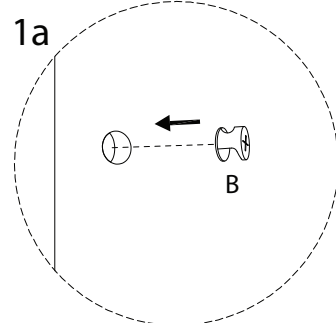
O



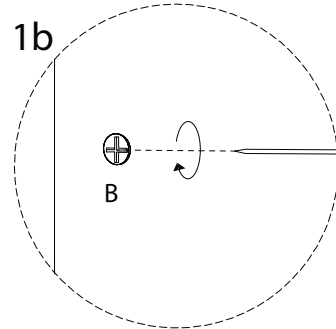
x 2



1a

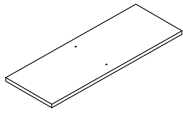


1b



14

F



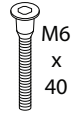
x 1

K



x 2

L

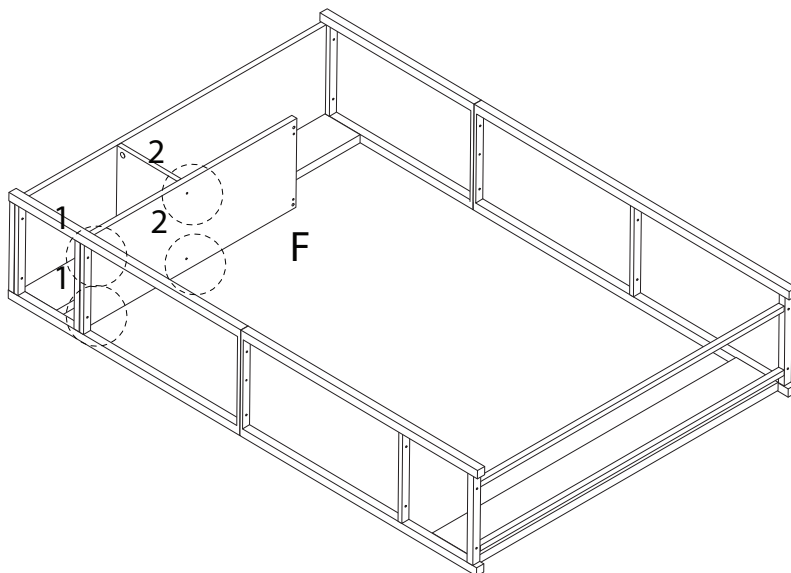


x 2

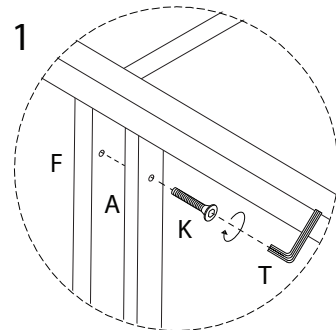
T



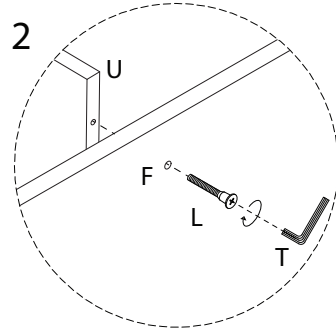
x 1



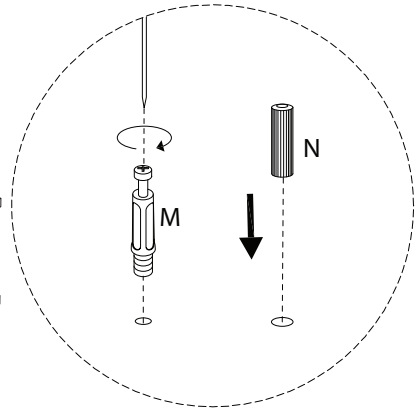
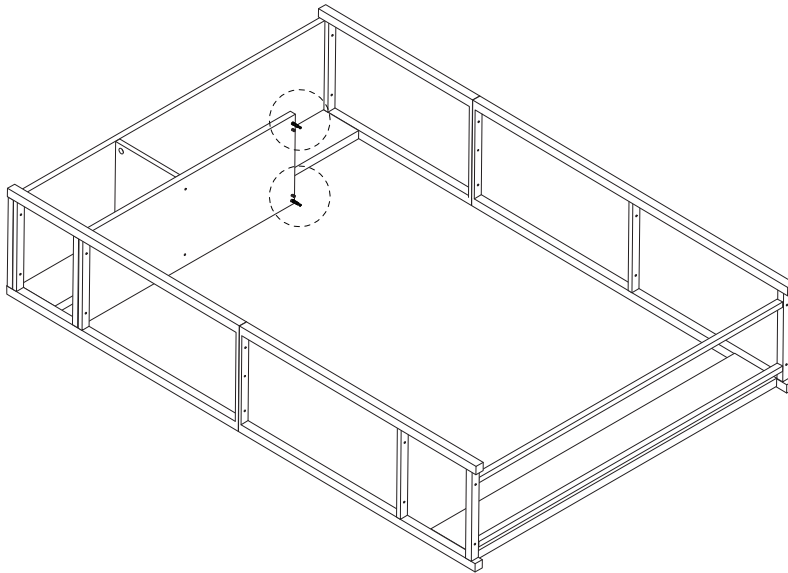
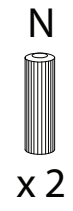
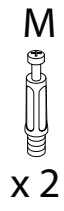
1



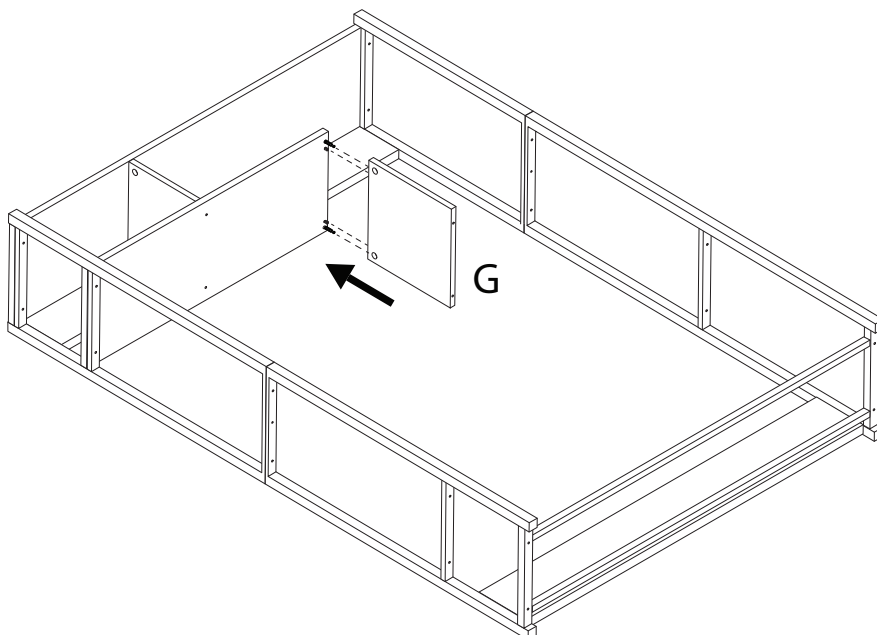
2



15



16

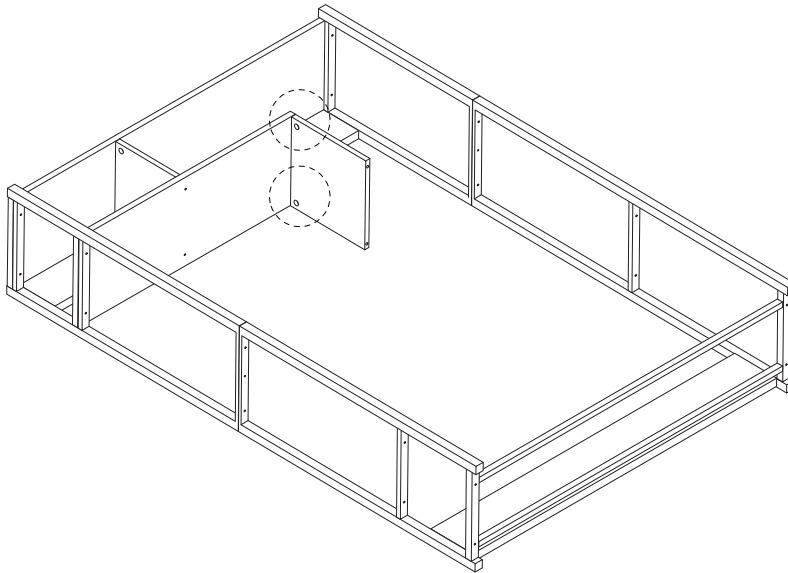


17

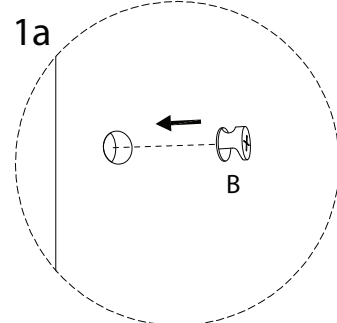
O



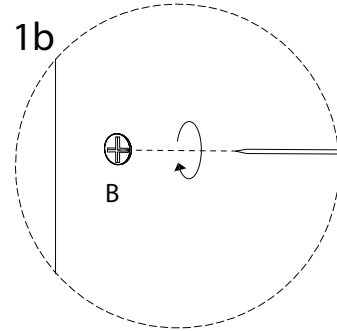
x 2



1a

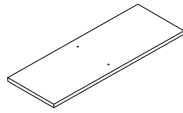


1b



18

F



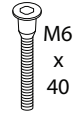
x 1

K



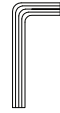
x 2

L

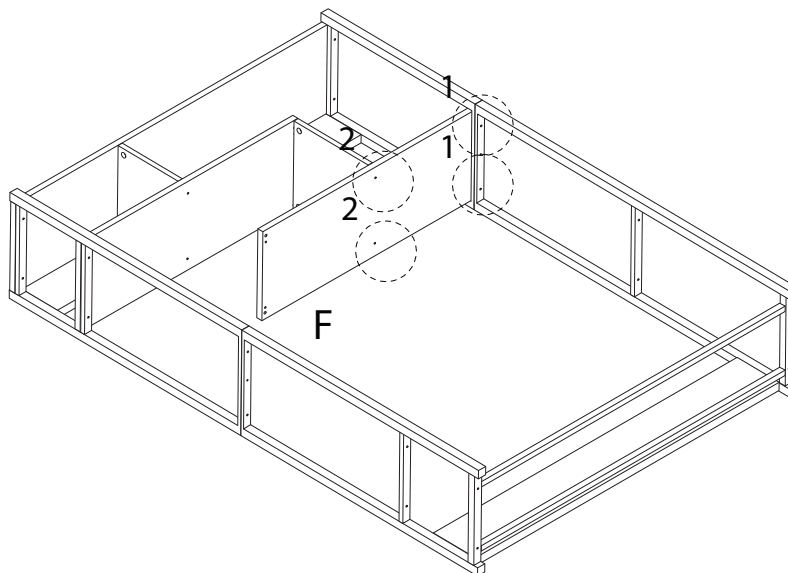


x 2

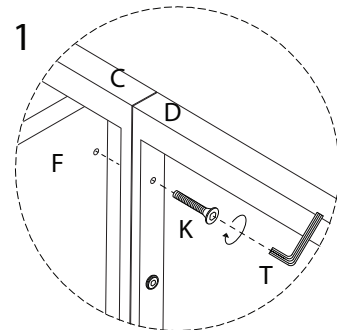
T



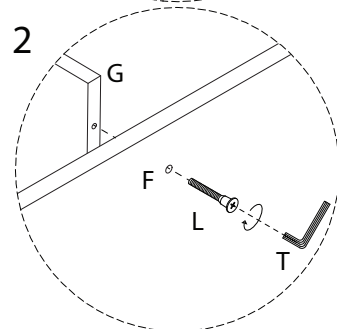
x 1



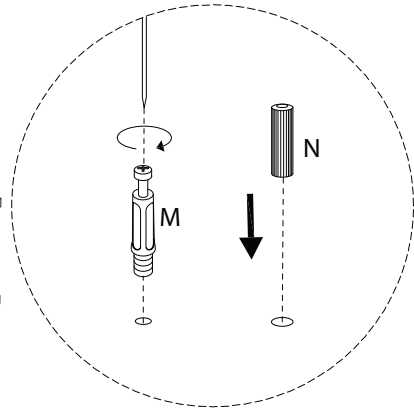
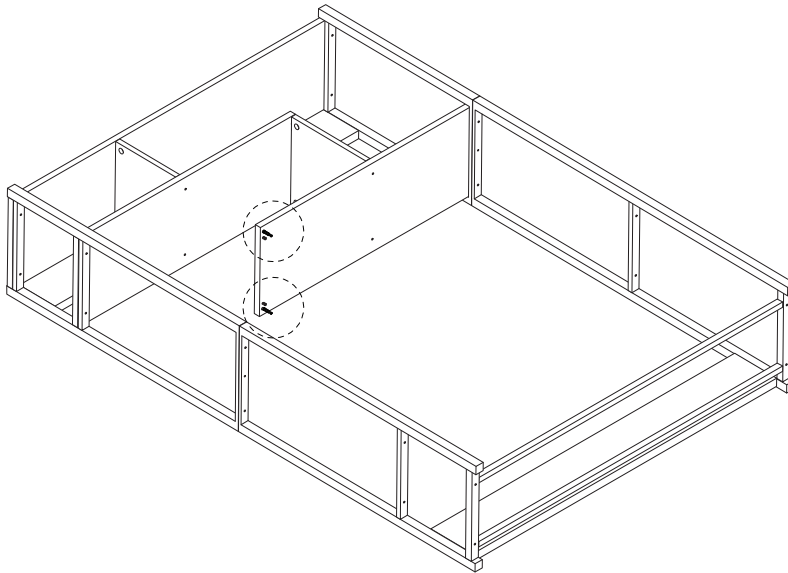
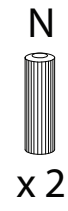
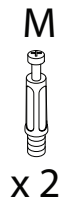
1



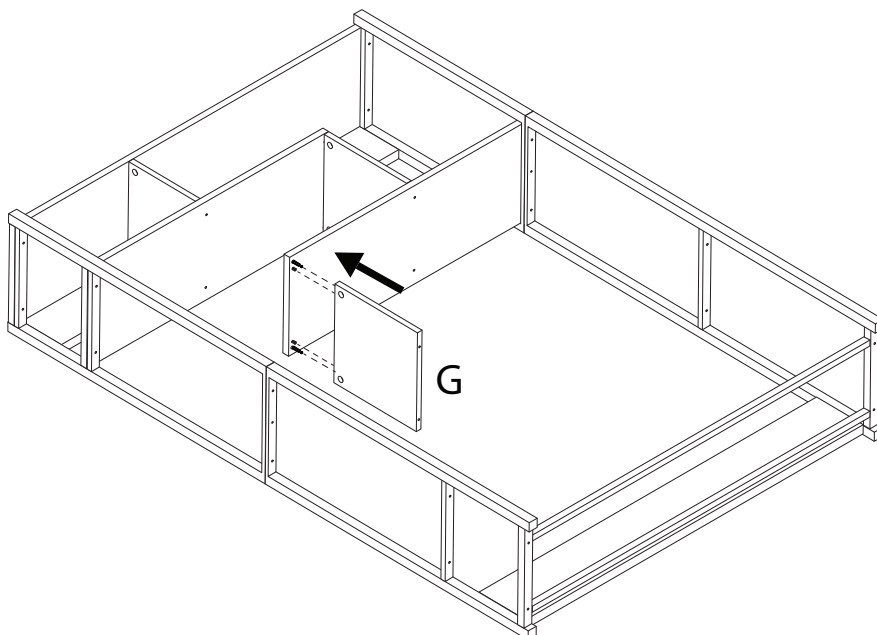
2



19



20

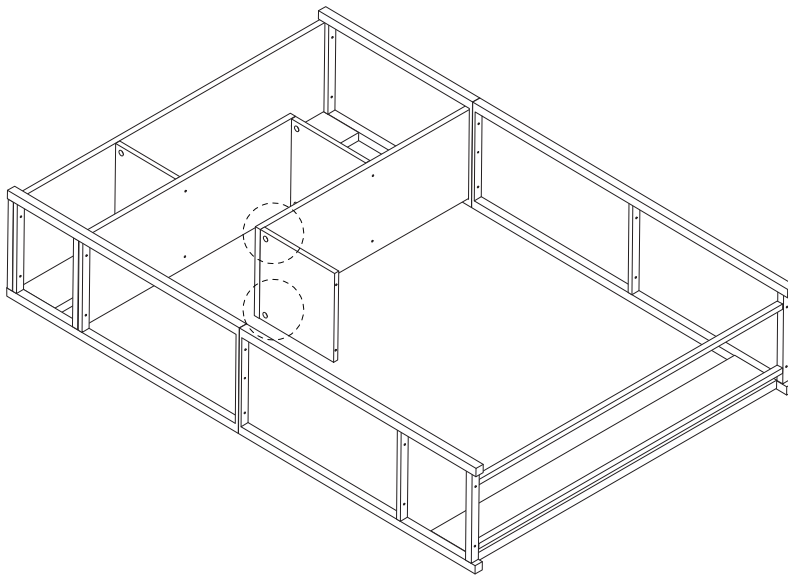


21

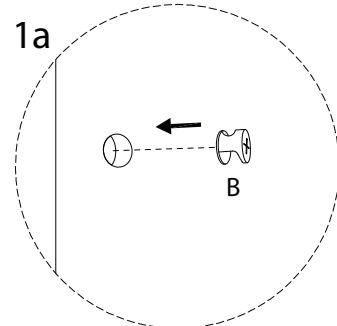
O



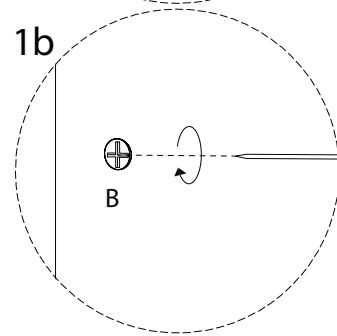
x 2



1a

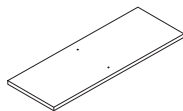


1b



22

F



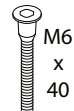
x 1

K



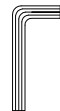
x 2

L

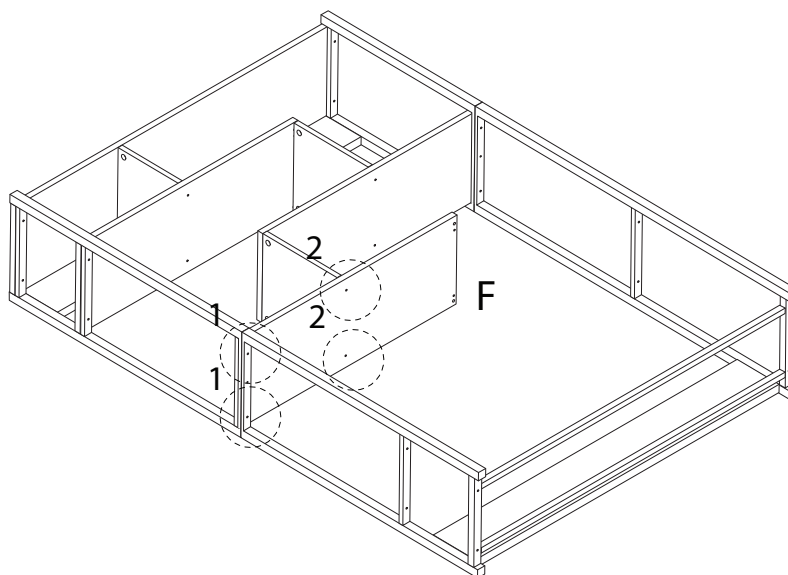


x 2

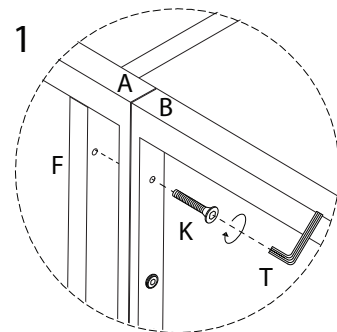
T



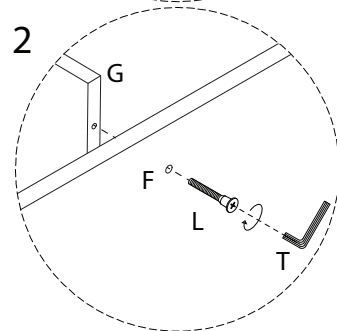
x 1



1

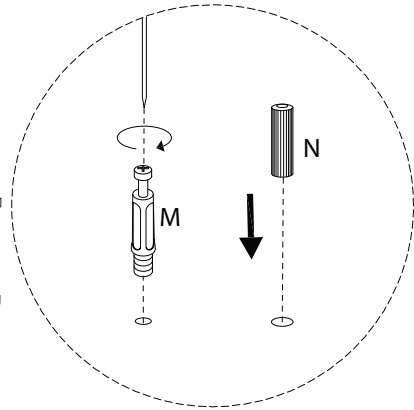
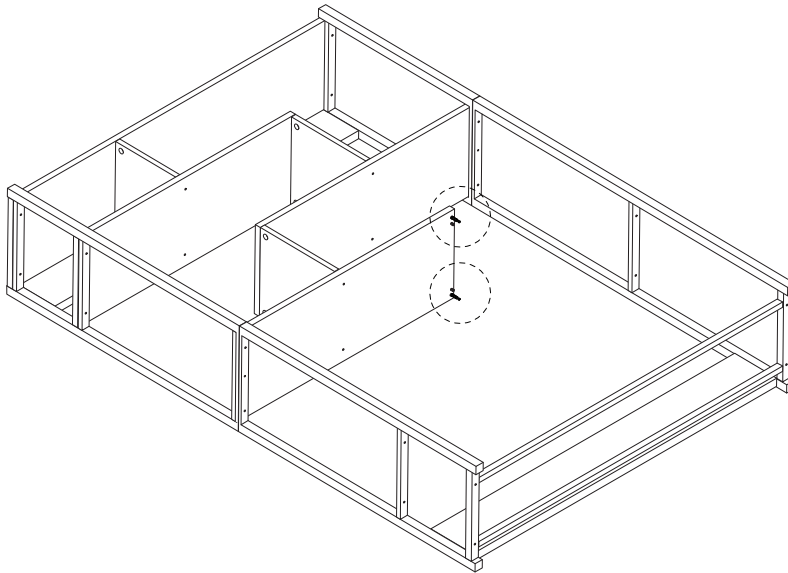
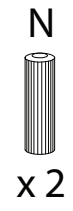
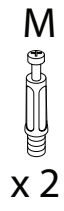


2

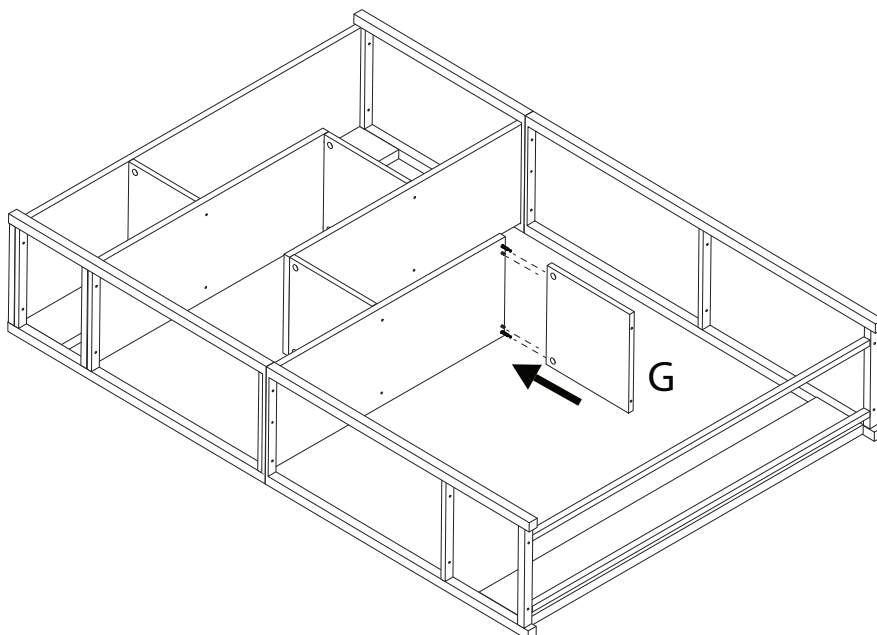
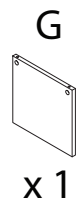




23



24

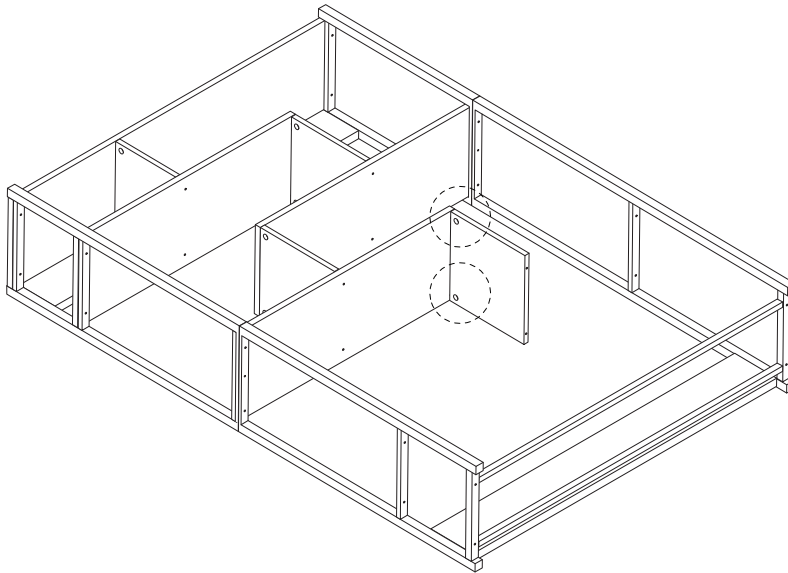


25

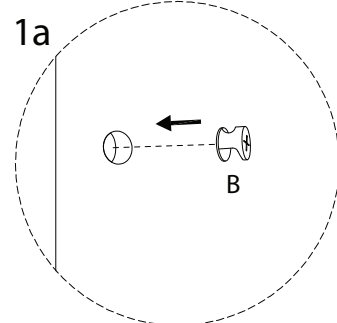
O



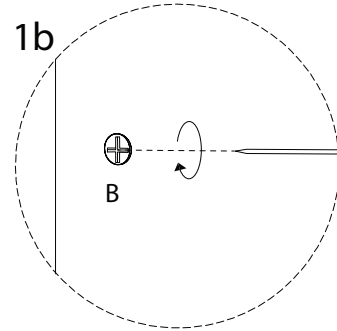
x 2



1a

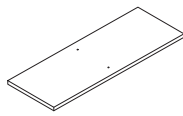


1b



26

F



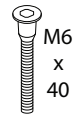
x 1

K



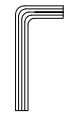
x 2

L

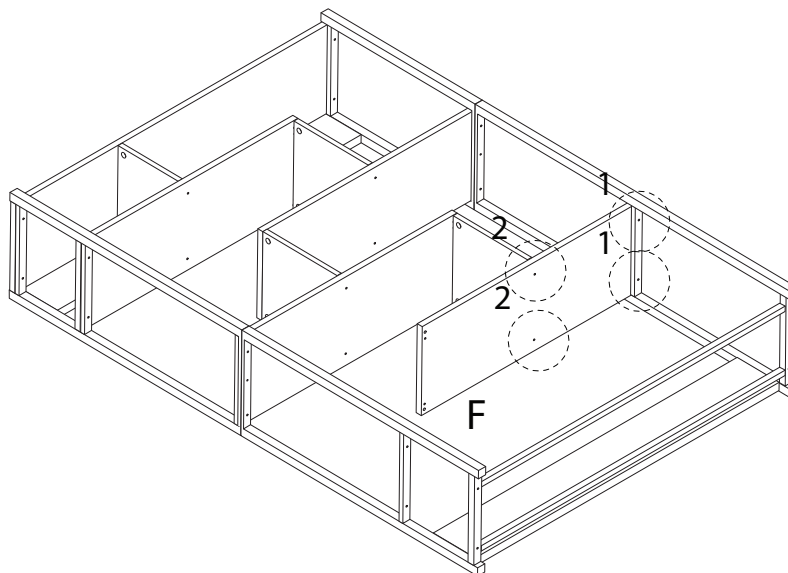


x 2

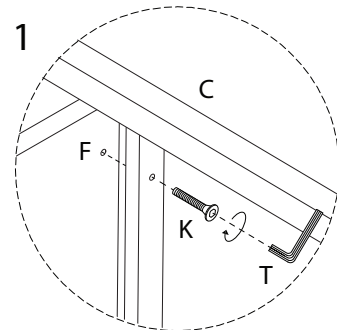
T



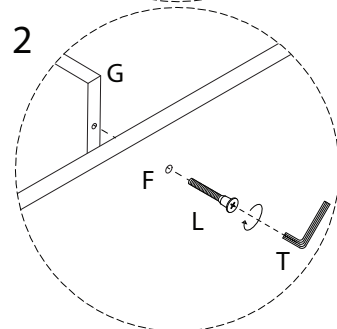
x 1



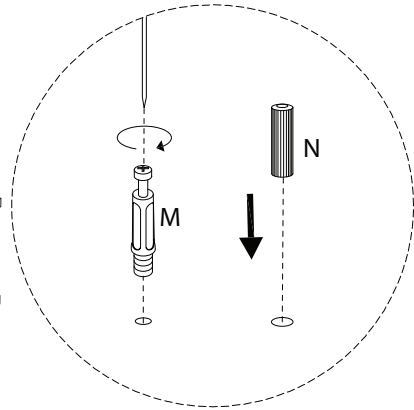
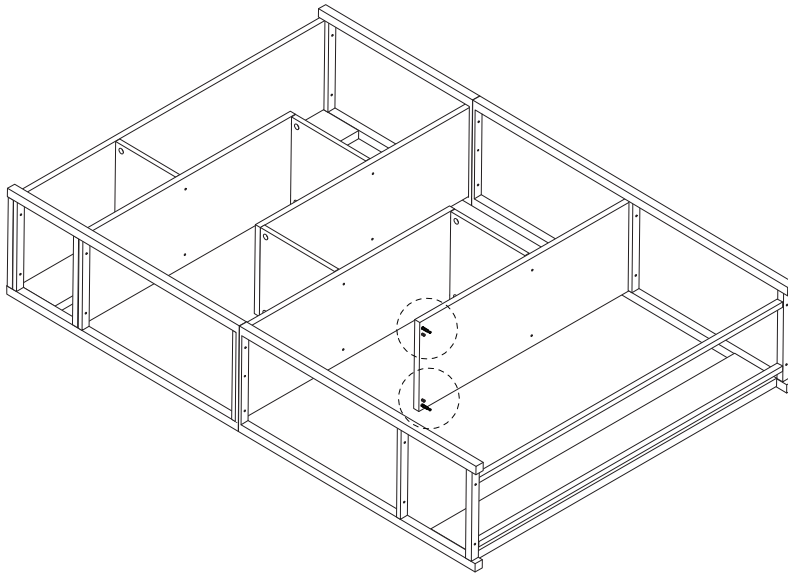
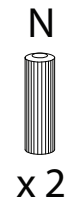
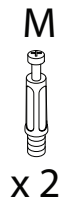
1



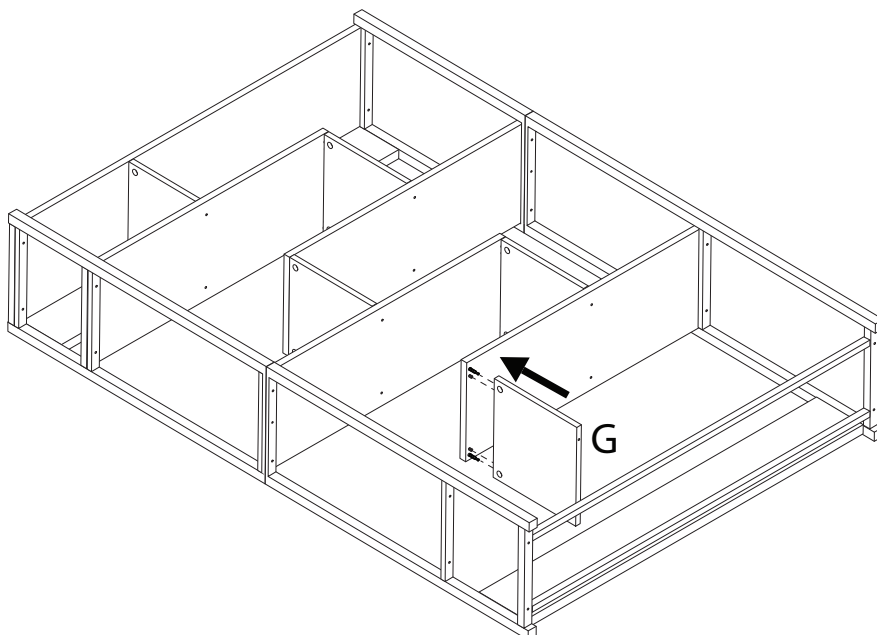
2



27



28

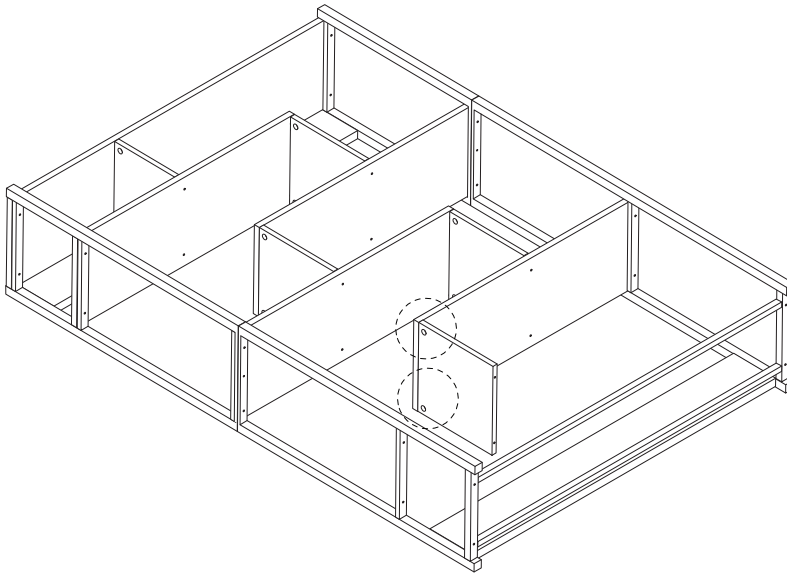


29

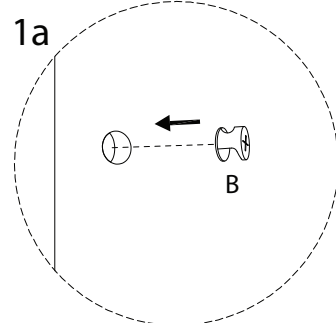
O



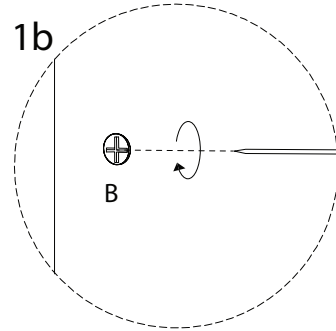
x 2



1a

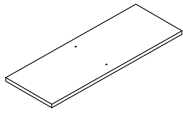


1b



30

F



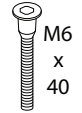
x 1

K



x 2

L

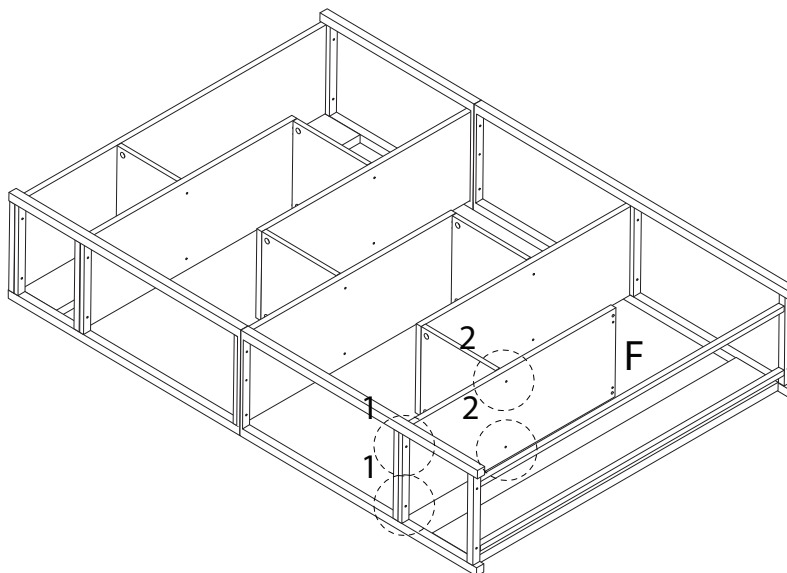


x 2

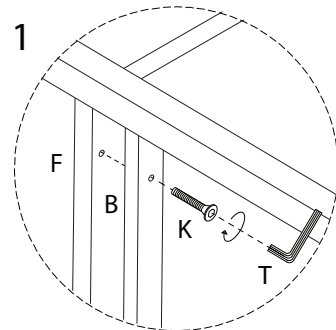
T



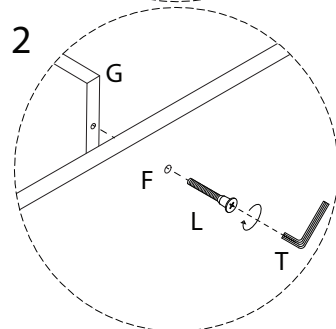
x 1



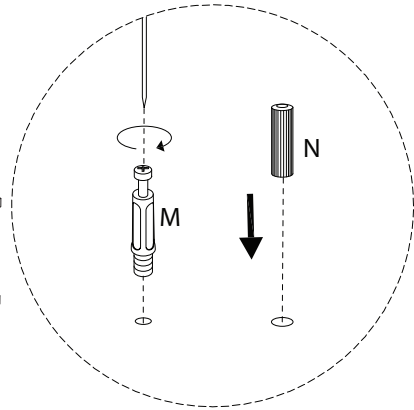
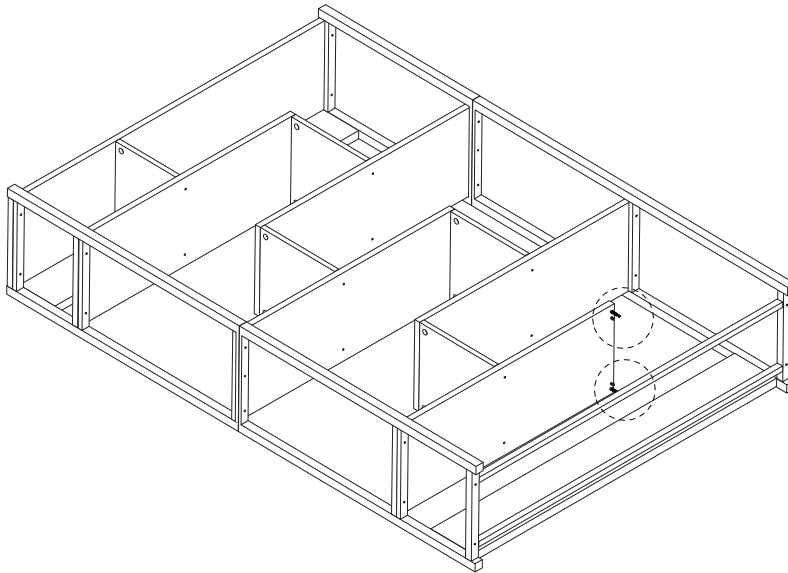
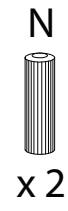
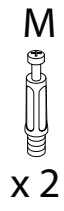
1



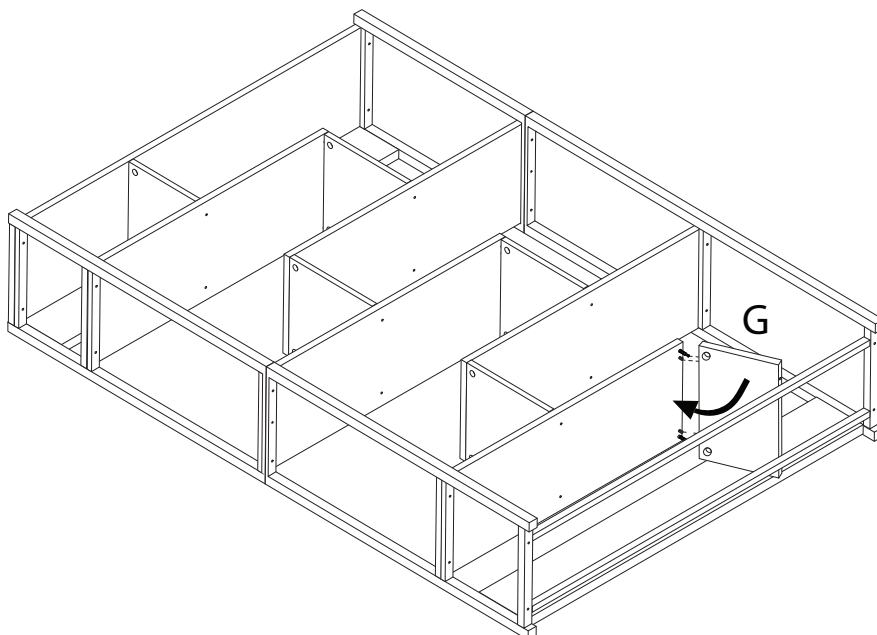
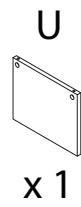
2



31



32

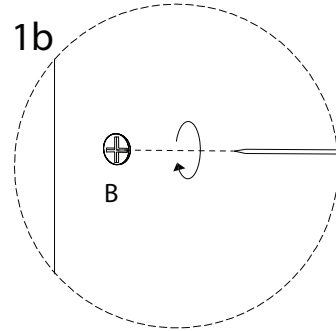
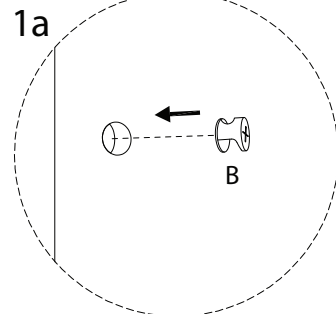
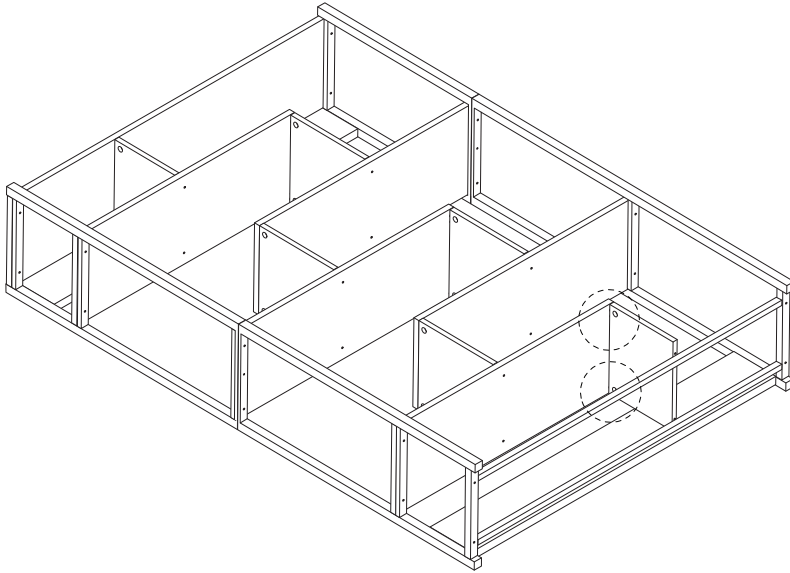


33

O

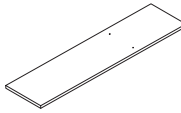


x 2

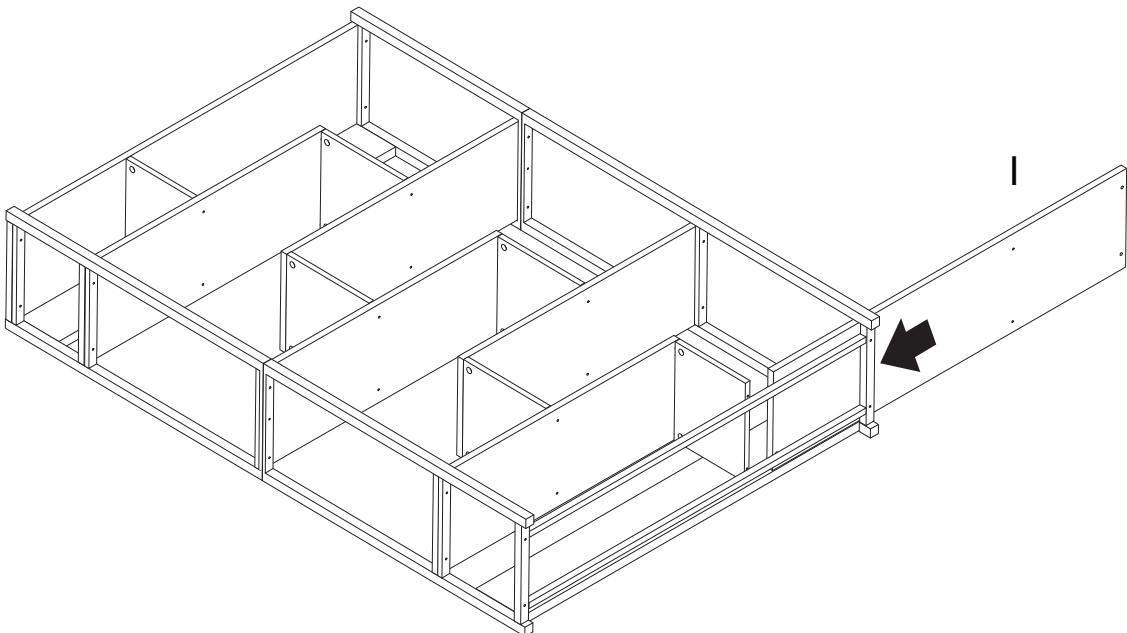


34

I



x 1



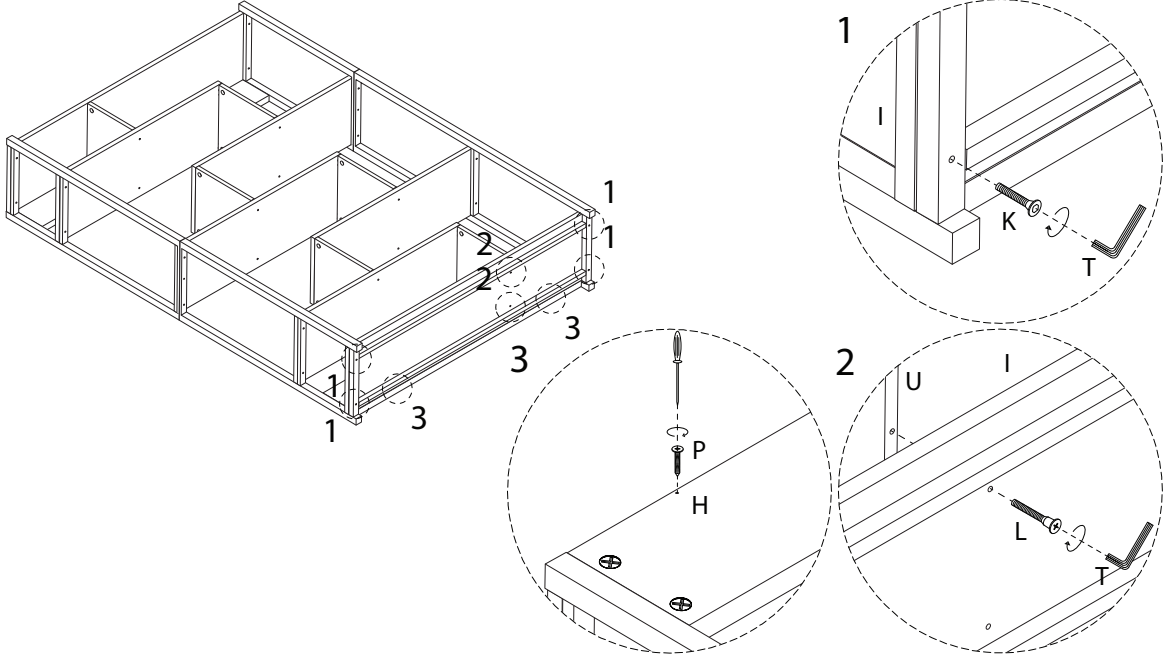
35

K  
M6  
x  
30  
x 4

L  
M6  
x  
40  
x 2

P  
M3  
x  
35  
x 2

T  
x 1



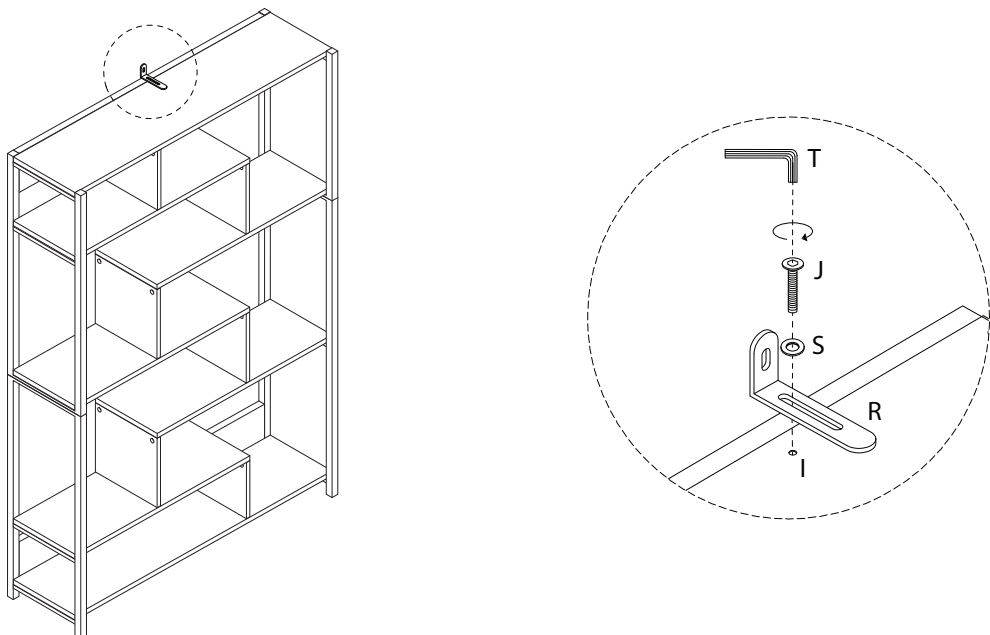
36

R  
x 1

S  
x 1

T  
x 1

V  
M6  
x  
12  
x 1



37

