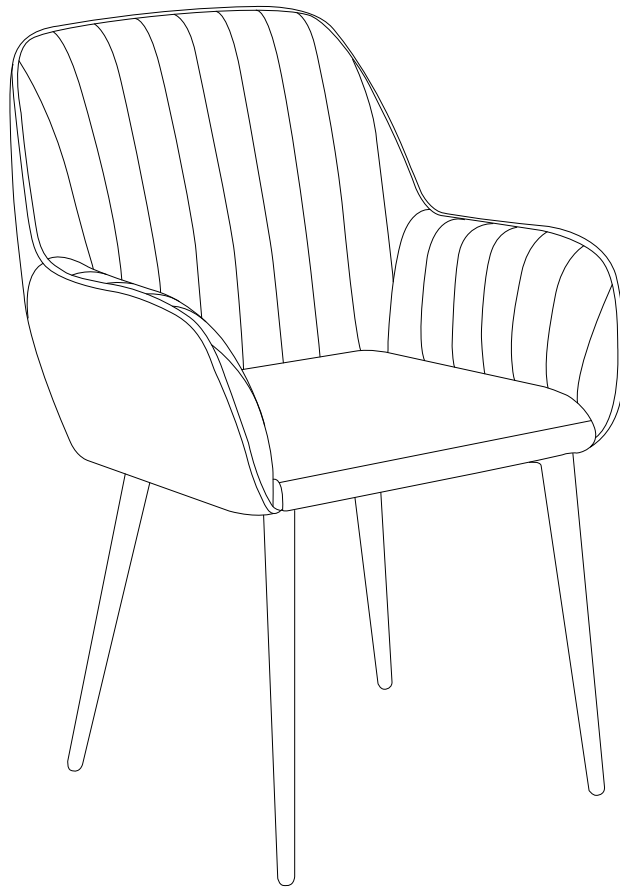
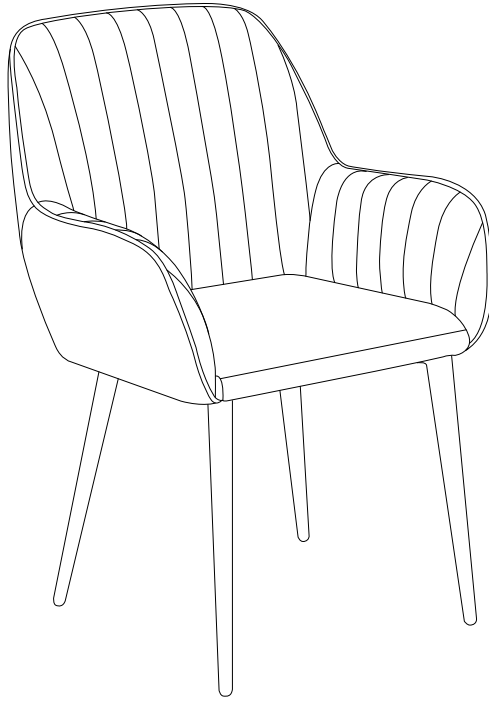


WELLSTON

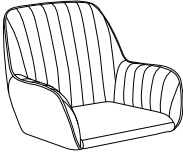
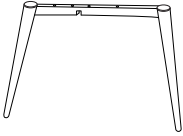

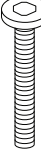


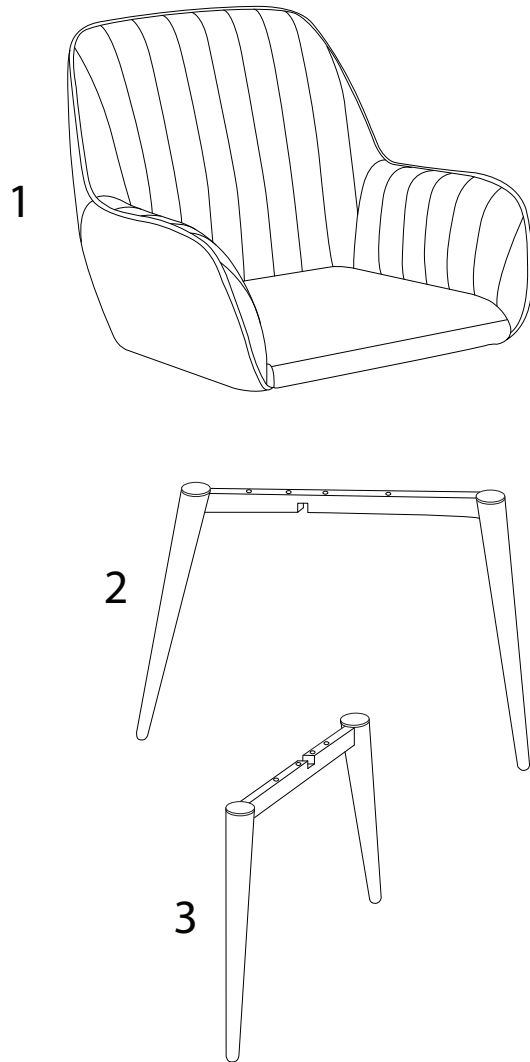


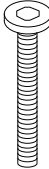
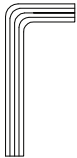
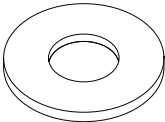

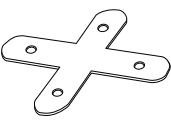
15'

1

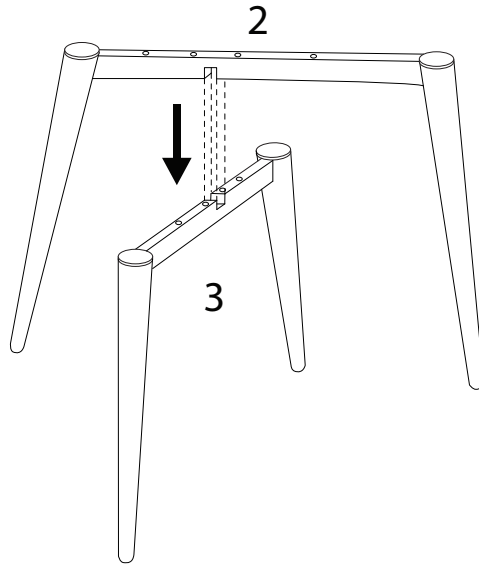
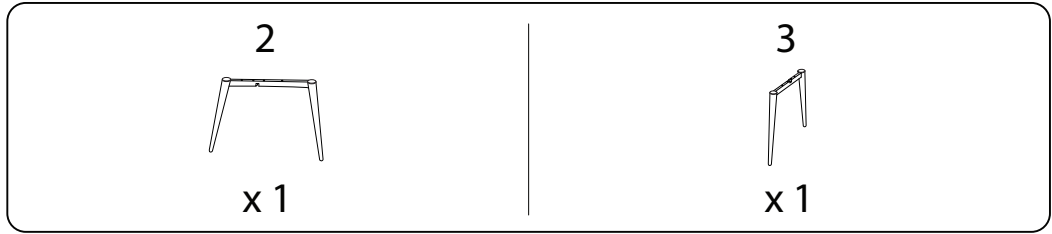
1/4

<p>1</p>  <p>x 1</p>	<p>2</p>  <p>x 1</p>	<p>3</p>  <p>x 1</p>	<p>4</p>  <p>M6 x 40</p> <p>x 4</p>
---------------------------------------------------------------------------------------------------------------------	---------------------------------------------------------------------------------------------------------------------	---------------------------------------------------------------------------------------------------------------------	----------------------------------------------------------------------------------------------------------------------------------------------

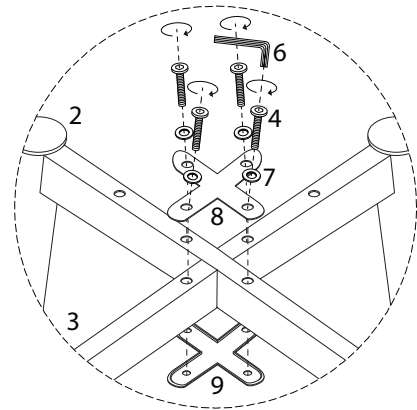
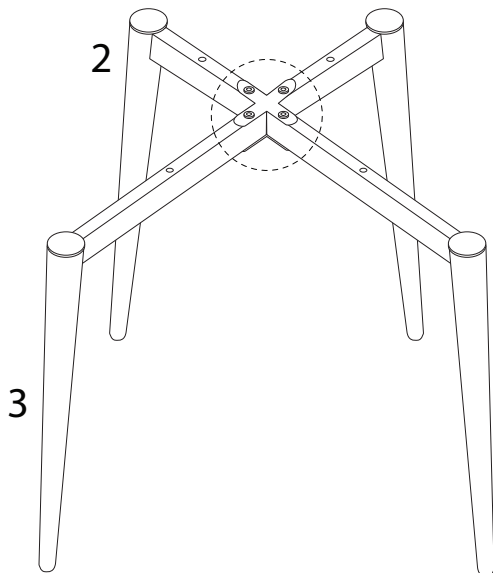
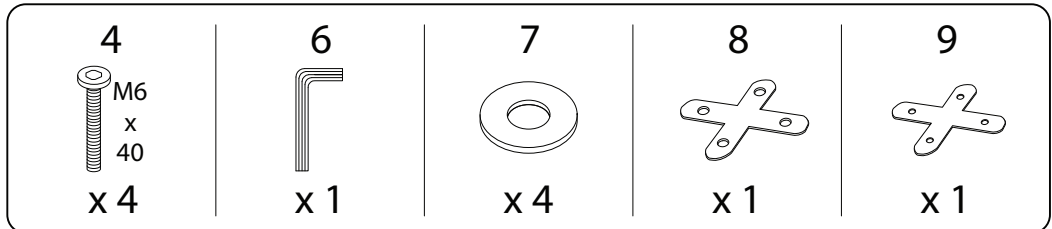


<p>5</p>  <p>M6 x 45</p> <p>x 4</p>	<p>6</p>  <p>x 1</p>	<p>7</p>  <p>x 8</p>	<p>8</p>  <p>x 1</p>	<p>9</p>  <p>x 1</p>
----------------------------------------------------------------------------------------------------------------------------------------------	-----------------------------------------------------------------------------------------------------------------------	-----------------------------------------------------------------------------------------------------------------------	------------------------------------------------------------------------------------------------------------------------	-------------------------------------------------------------------------------------------------------------------------


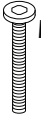
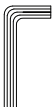
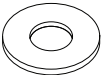
1



2



3

<p>1</p>  <p>x 1</p>	<p>5</p>  <p>M6 x 45</p> <p>x 4</p>	<p>6</p>  <p>x 1</p>	<p>7</p>  <p>x 4</p>
-------------------------------------------------------------------------------------------------------	------------------------------------------------------------------------------------------------------------------------------	--------------------------------------------------------------------------------------------------------	---------------------------------------------------------------------------------------------------------

