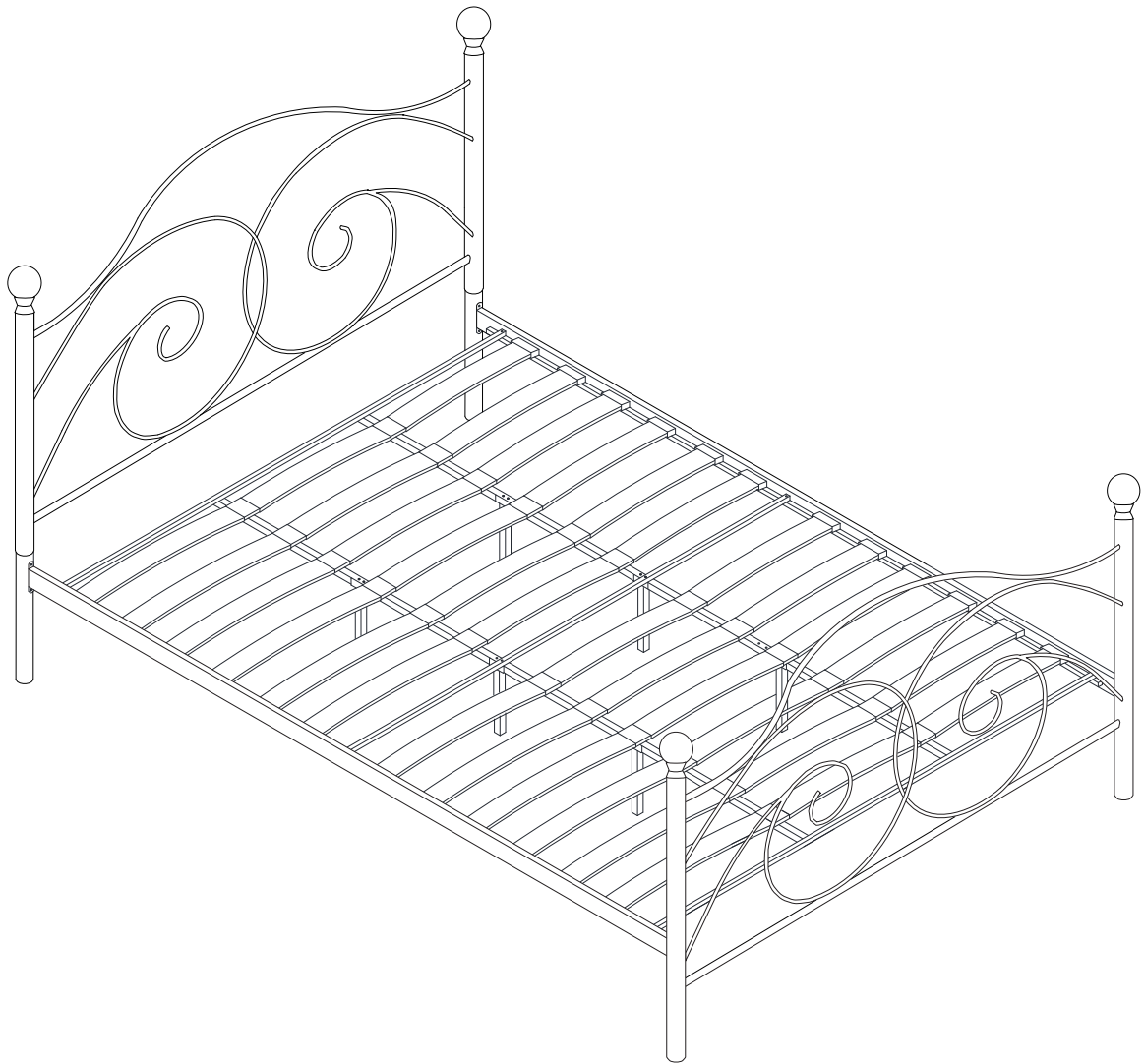
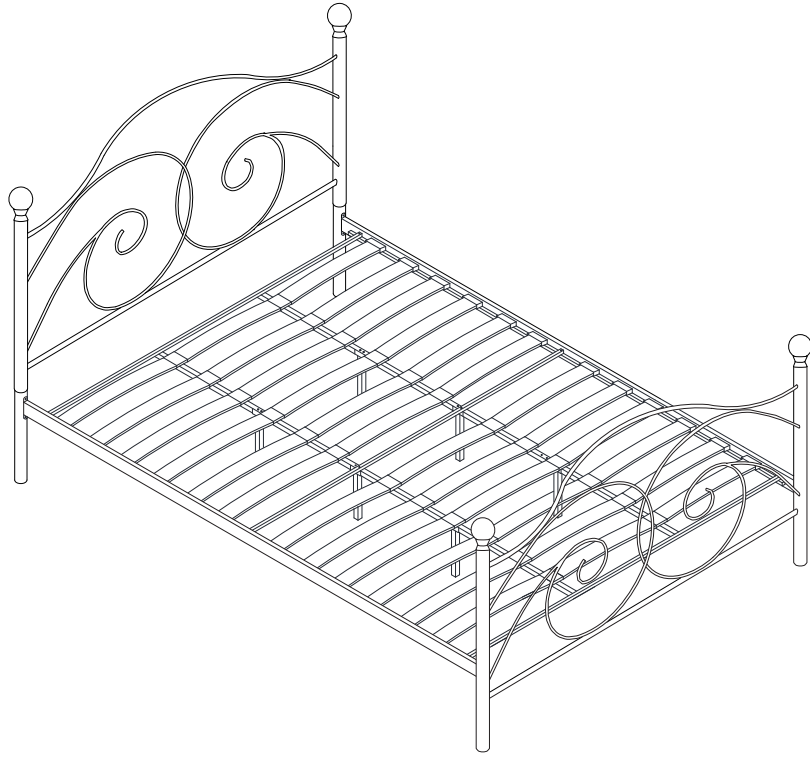
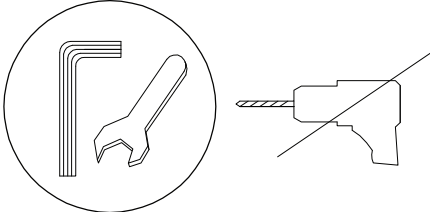

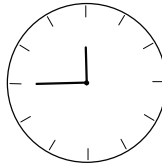
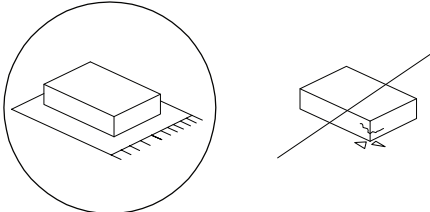


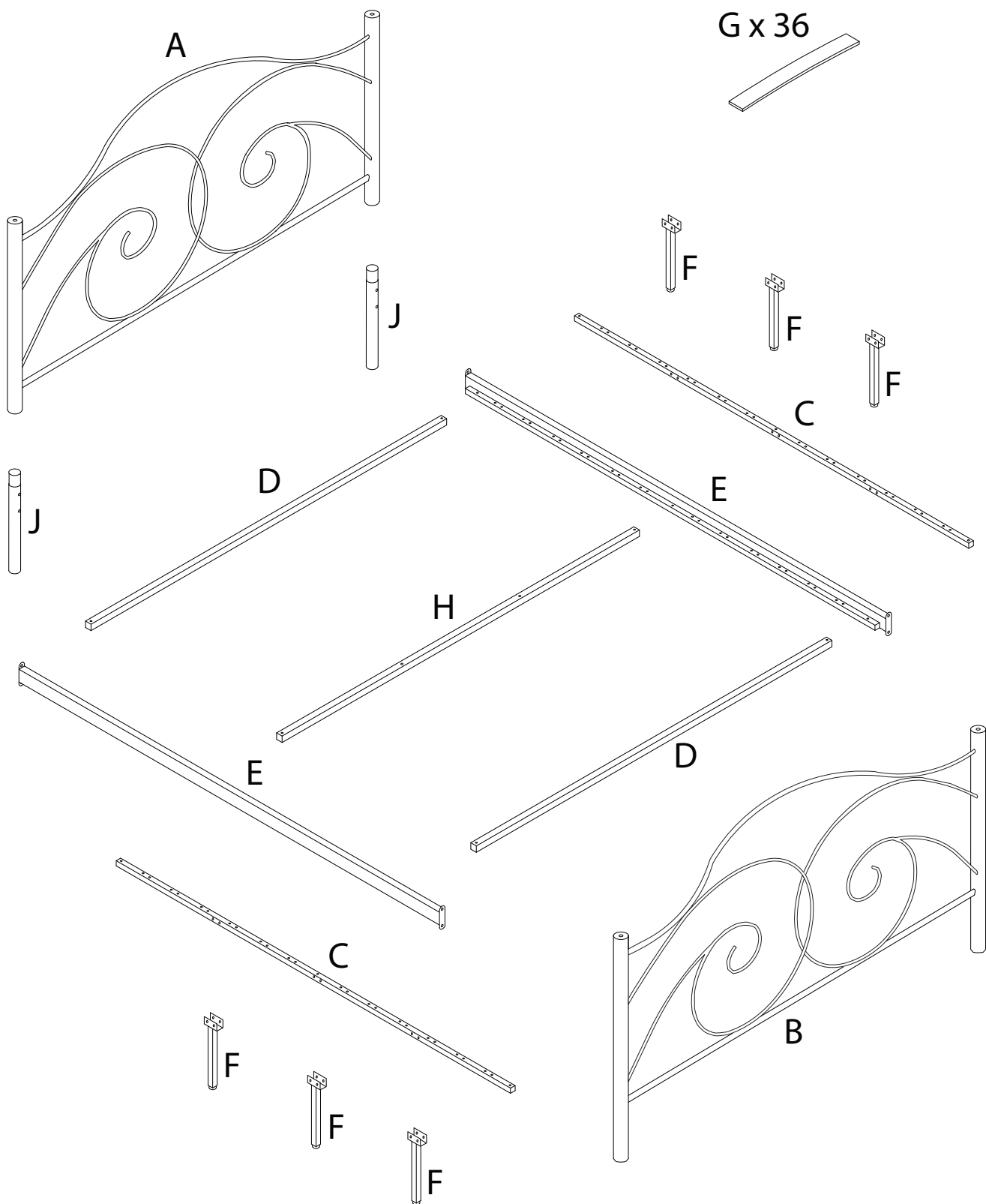


# DINARD

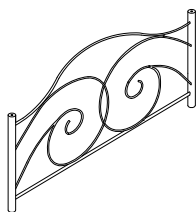




		
		
<p>45'</p>		<p>2</p>

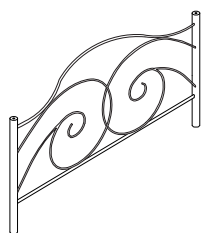


A



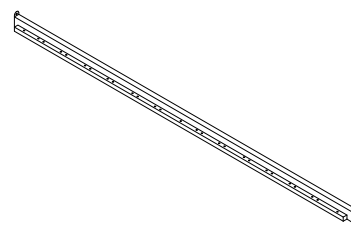
x 1

B



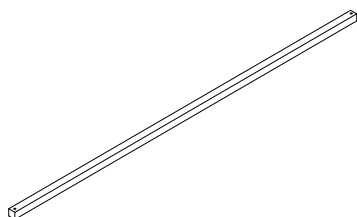
x 1

C



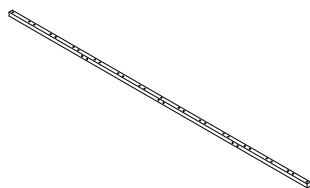
x 2

D



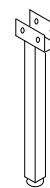
x 2

E



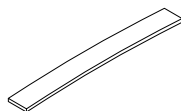
x 2

F



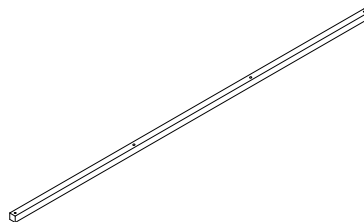
x 6

G



x 36

H



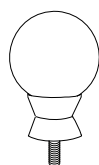
x 1

I



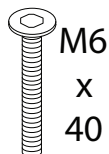
x 2

J



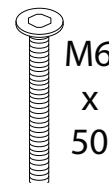
x 4

K



x 18

L



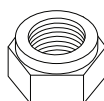
x 6

M



x 20

O



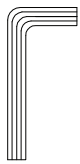
x 18

P



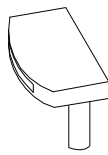
x 1

Q



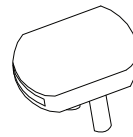
x 1

R



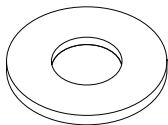
x 24

S



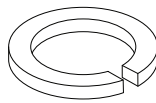
x 24

T



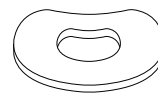
x 46

U



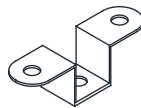
x 8

V



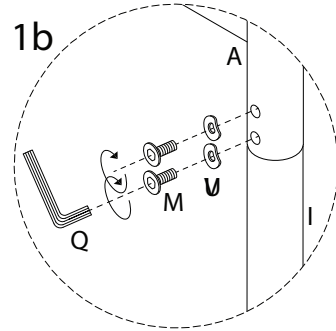
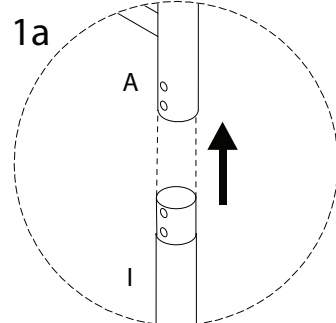
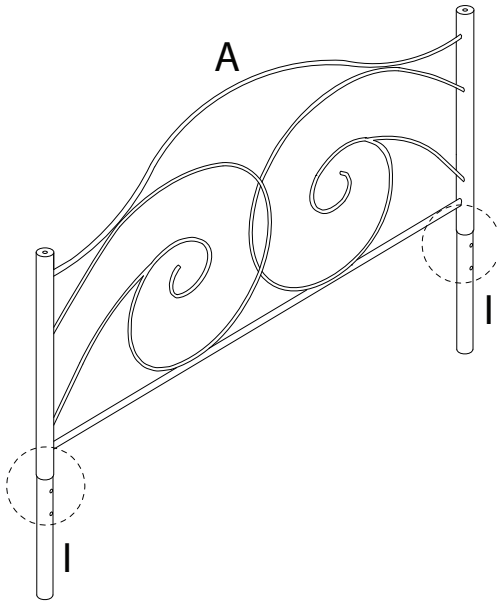
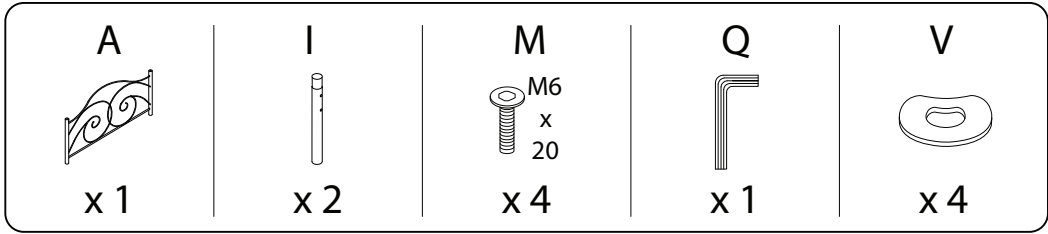
x 4

W

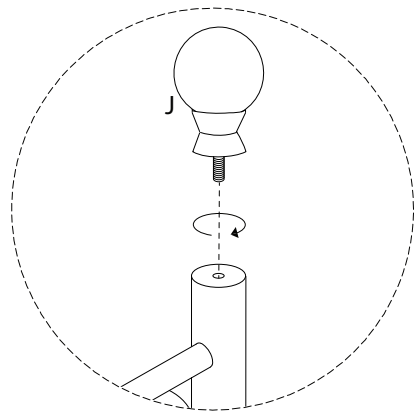
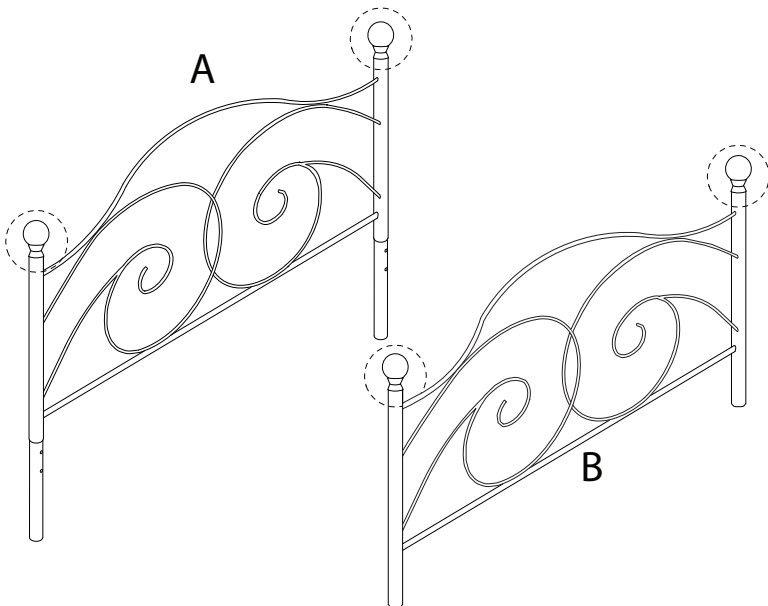
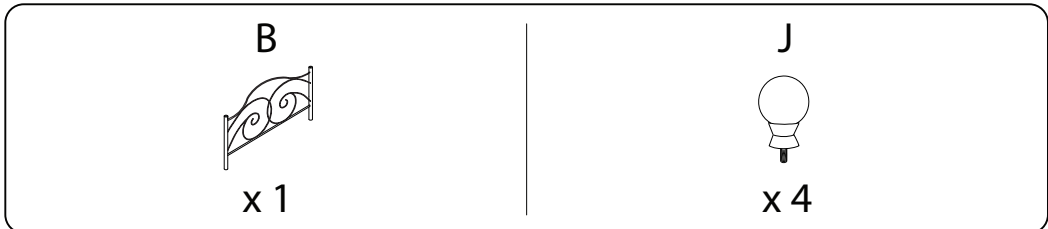


x 4

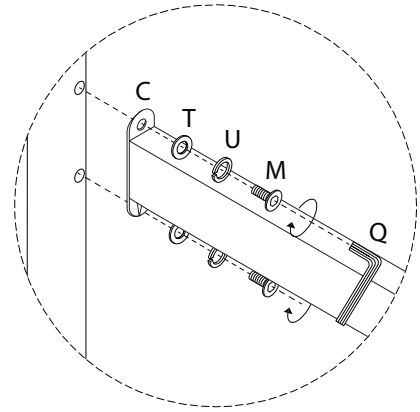
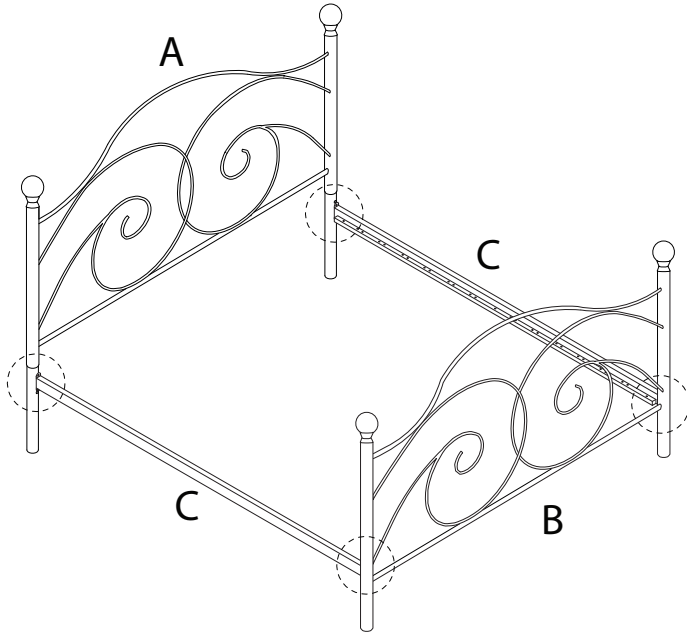
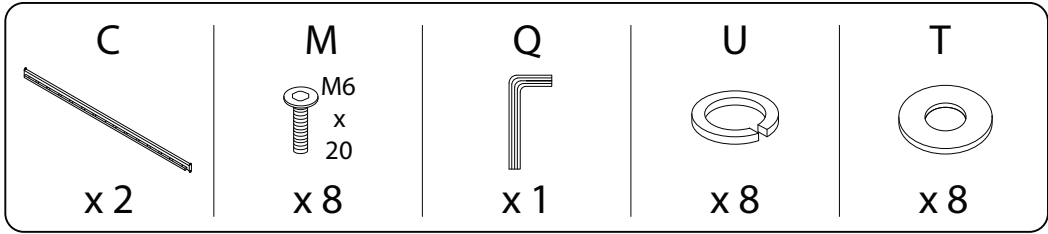
1



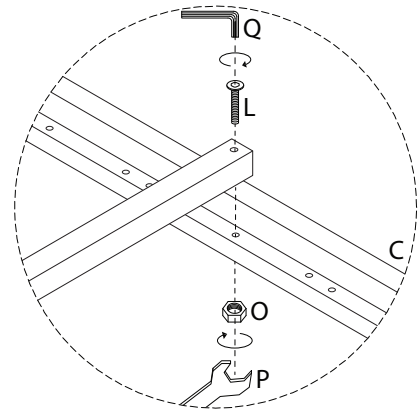
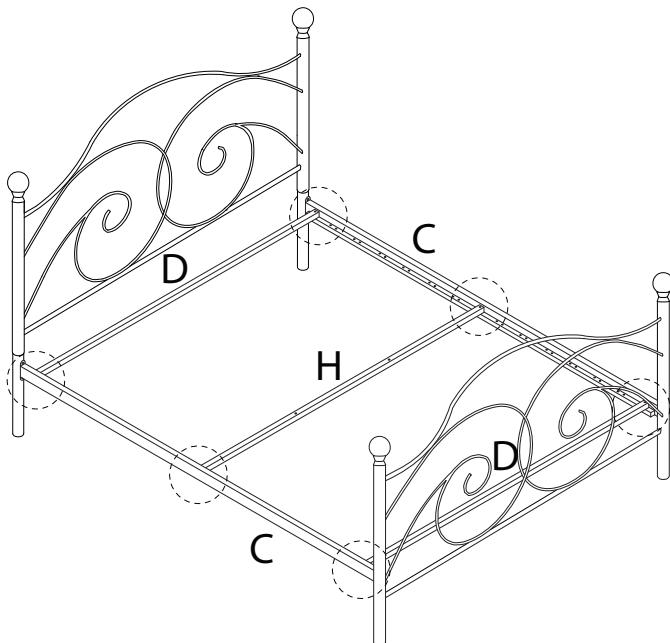
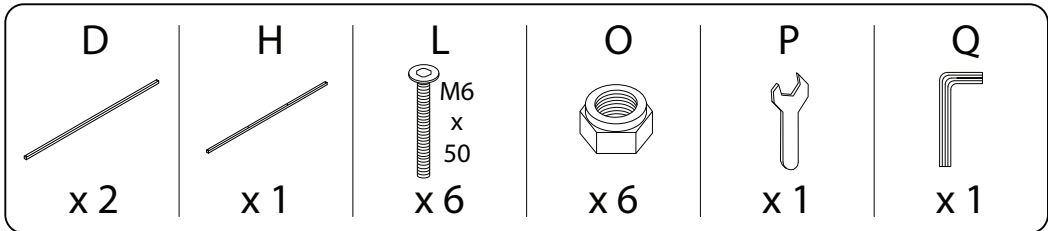
2





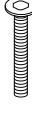
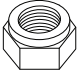

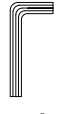
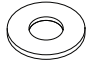
3

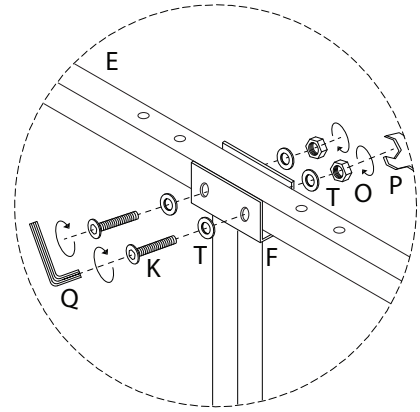
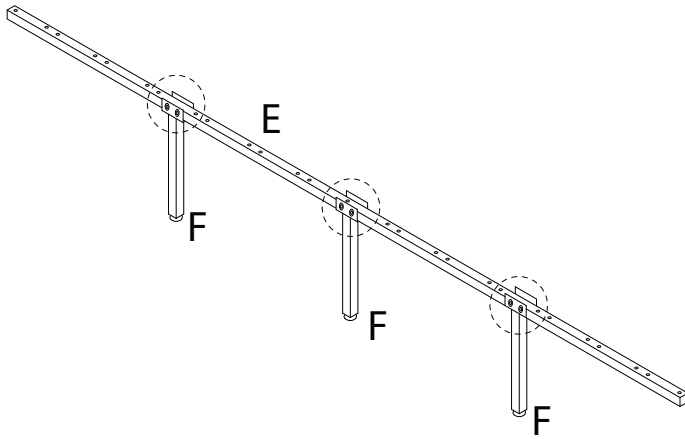


4

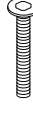

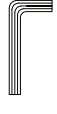
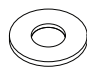
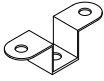


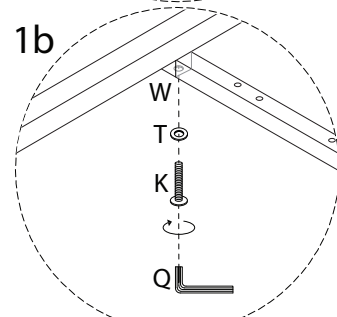
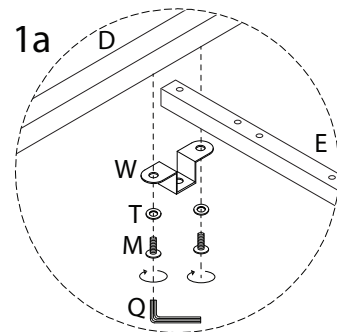
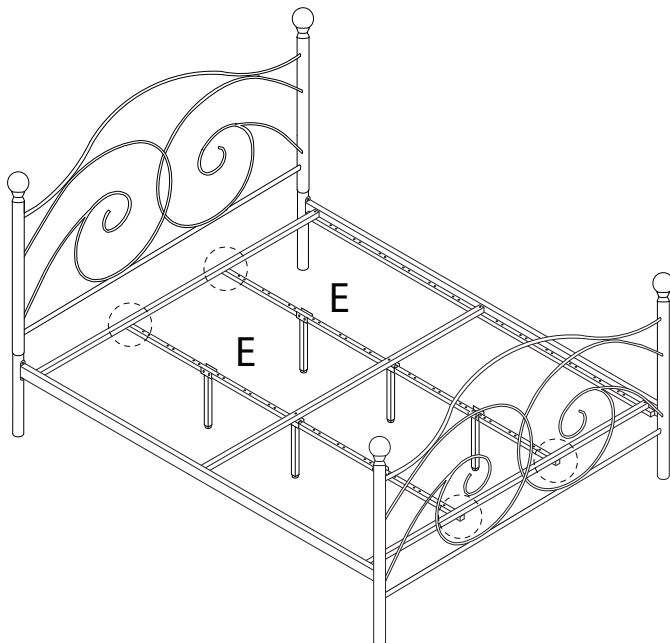
5 x 2

E  x 1	F  x 3	K M6 x 40  x 6	O  x 6	P  x 1	Q  x 1	T  x 12
---	---	--	---	---	---	--



6

K M6 x 40  x 2	M M6 x 20  x 4	Q  x 1	T  x 6	W  x 2
--	--	---	---	---



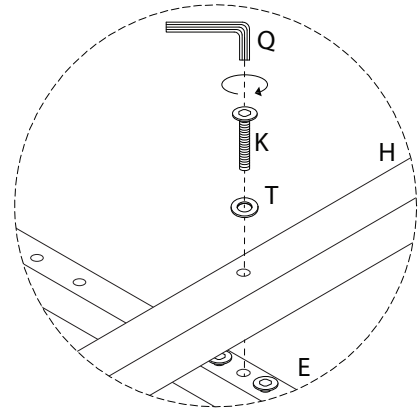
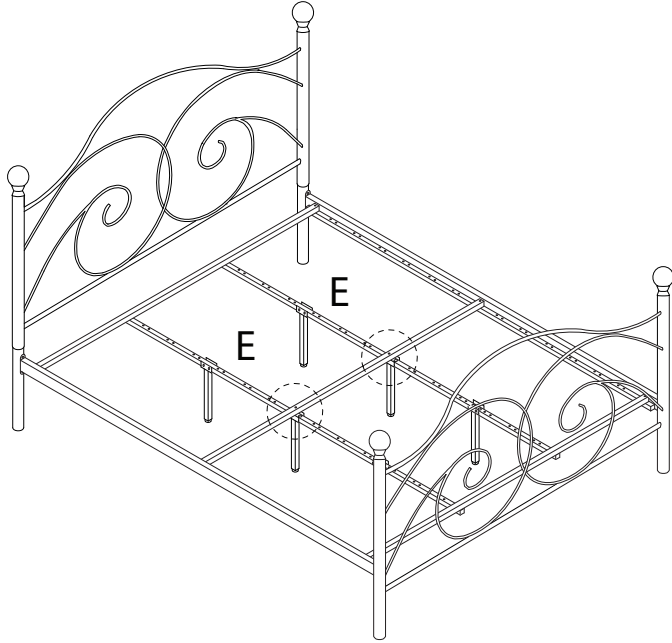


7

K  
M6  
x  
40  
x 1

O  
x 1

T  
x 1



8 x 12

G  
x 3

R  
x 2

S  
x 2

