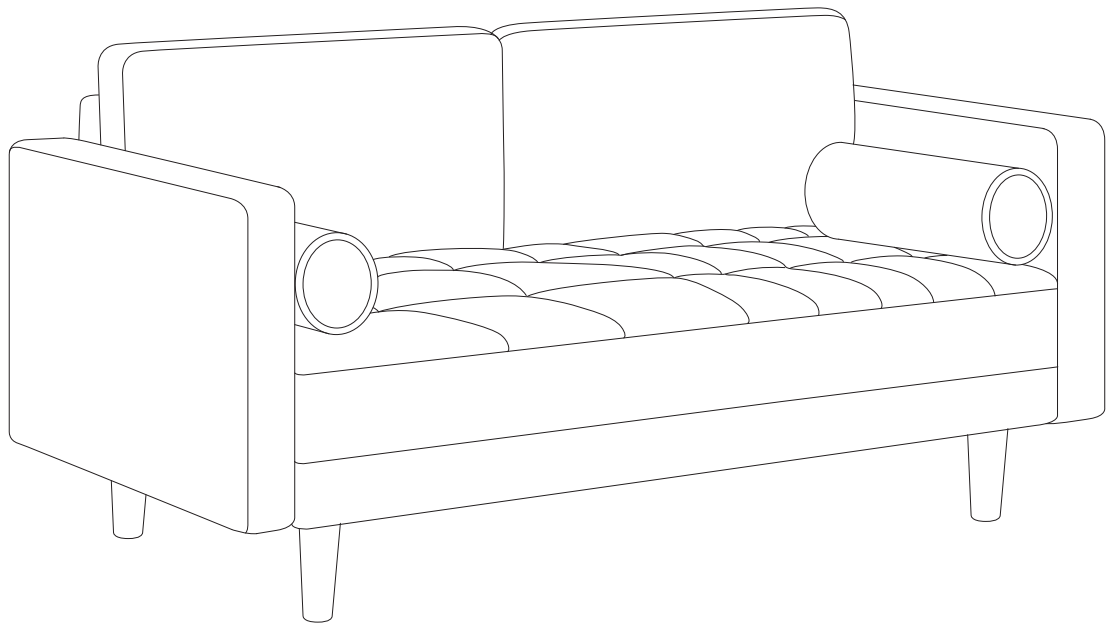
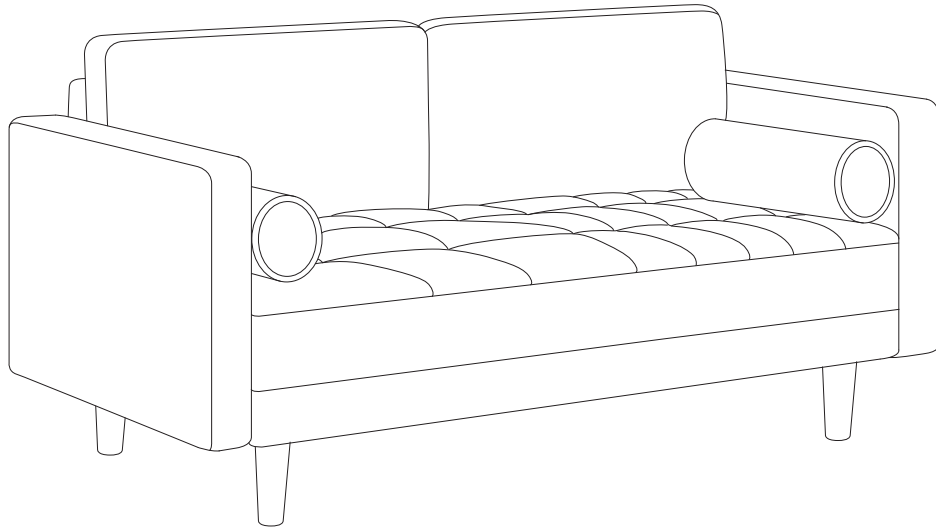
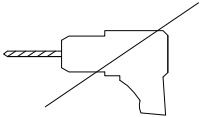

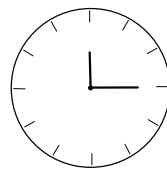
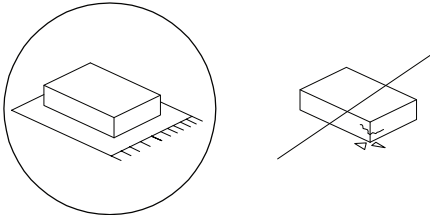

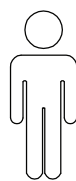


NURMO

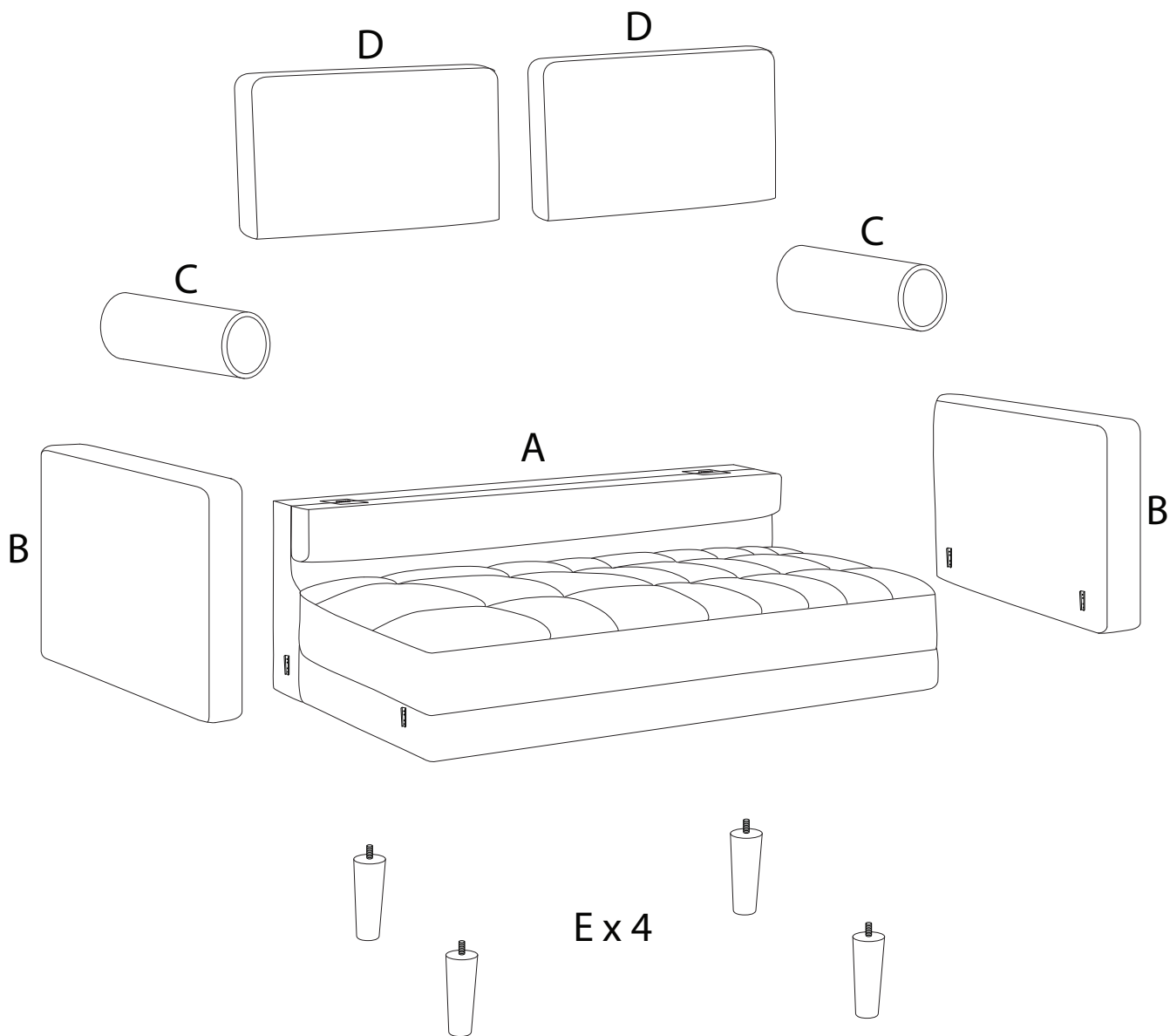




15'

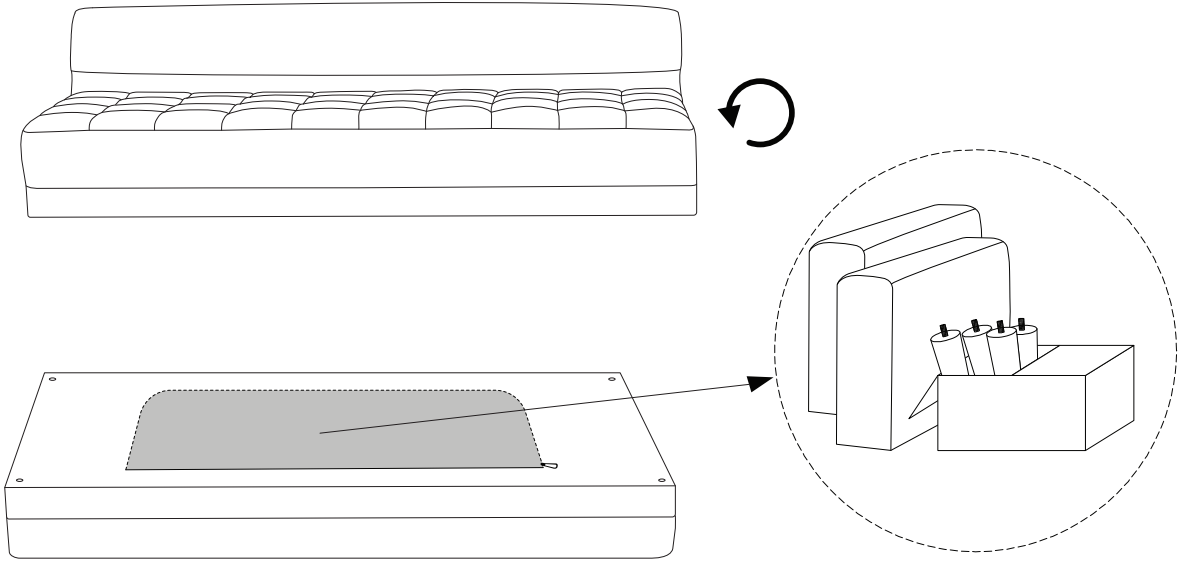
2



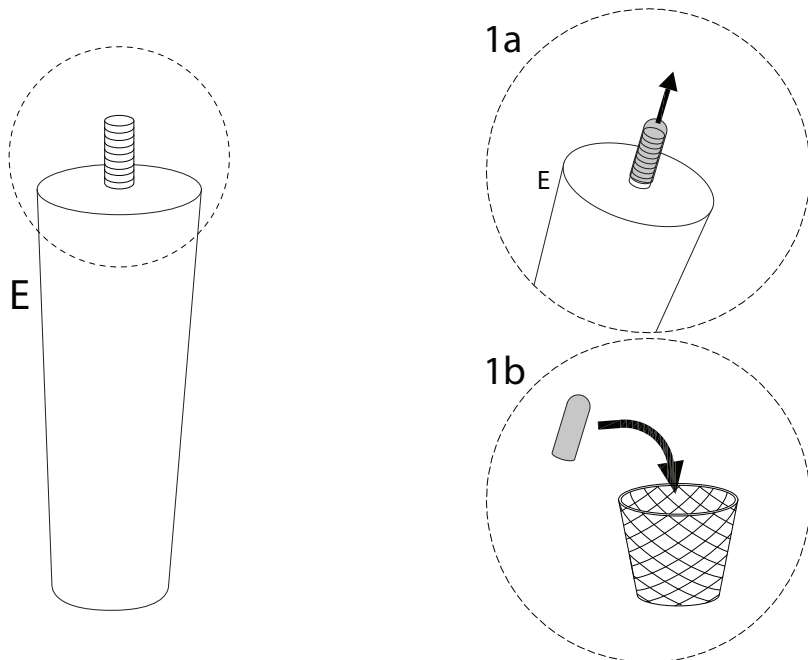
A	B	C	D	E
x 1	x 2	x 2	x 2	x 4

!

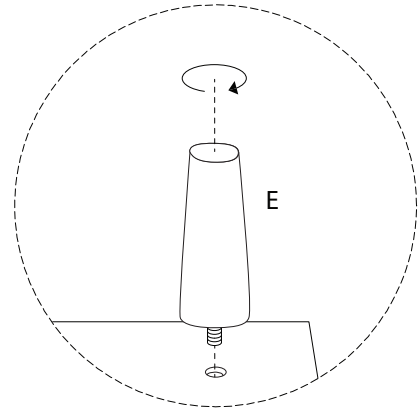
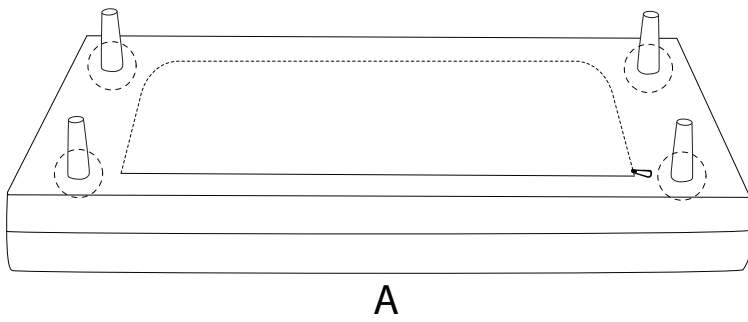
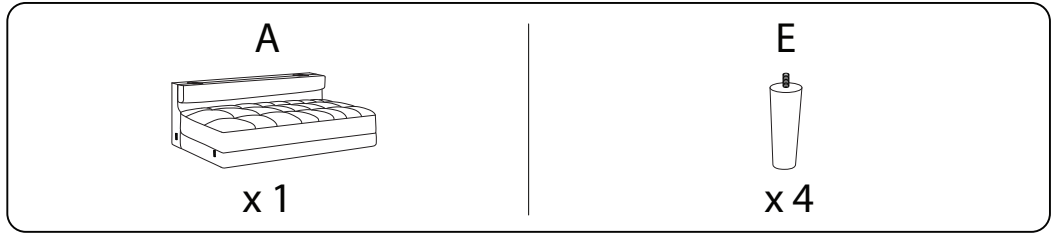
A



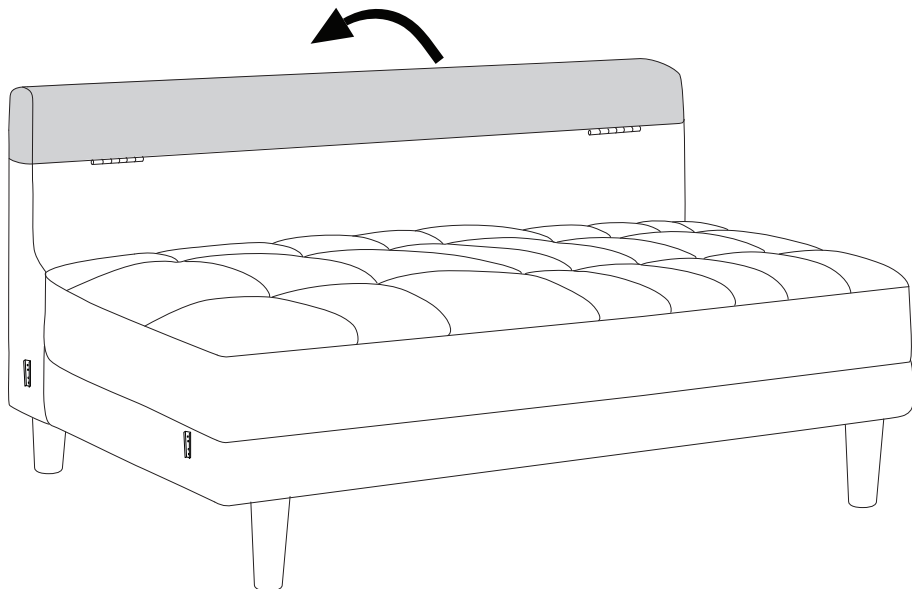
!



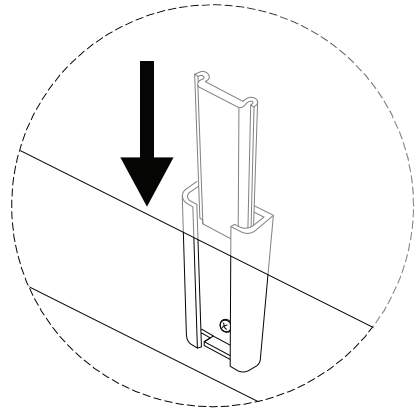
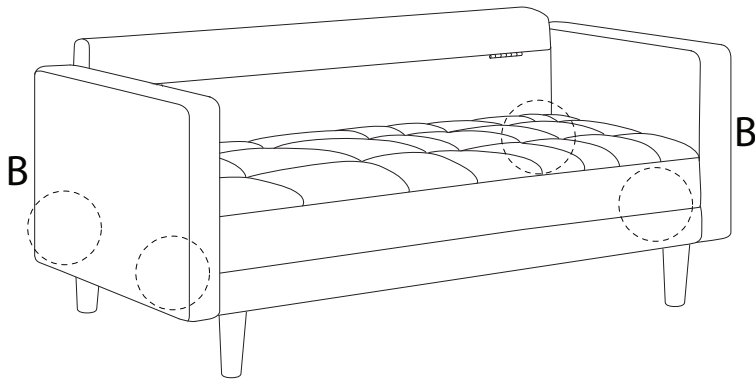
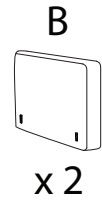
1



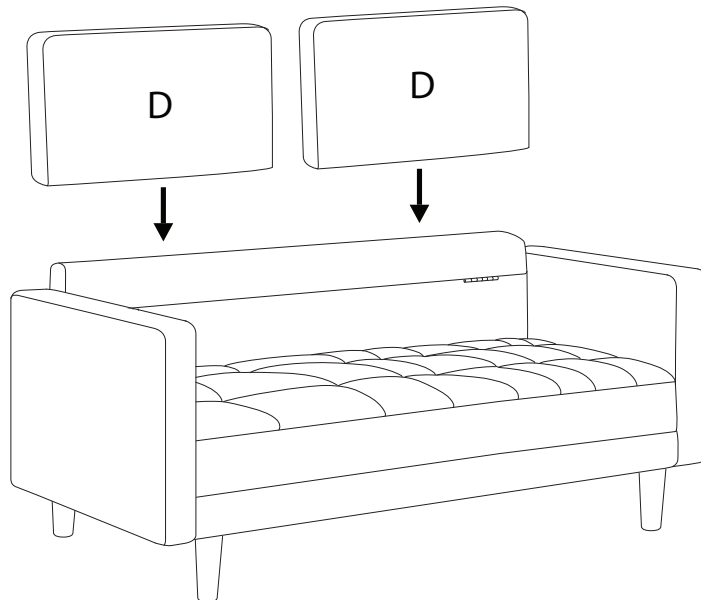
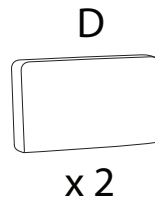
2



3

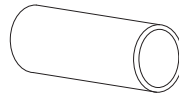


4



5

C



x2

