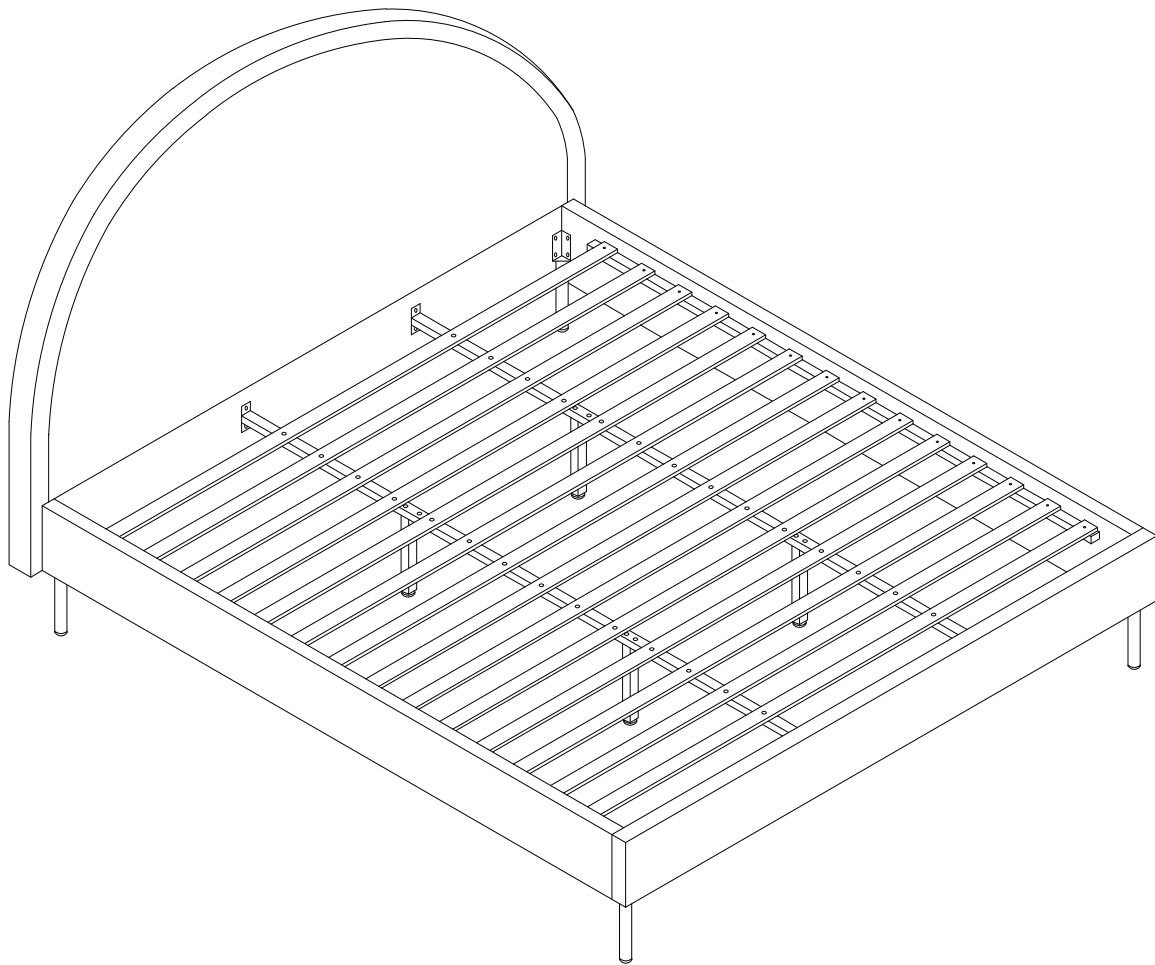
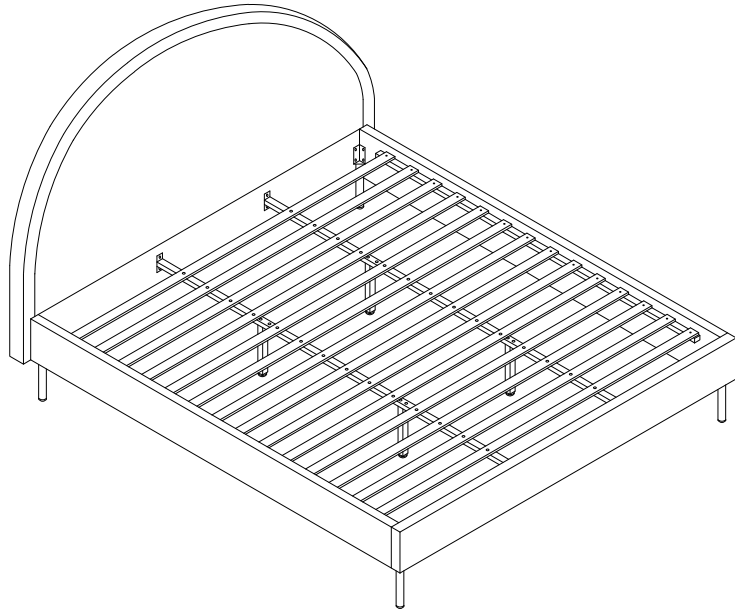


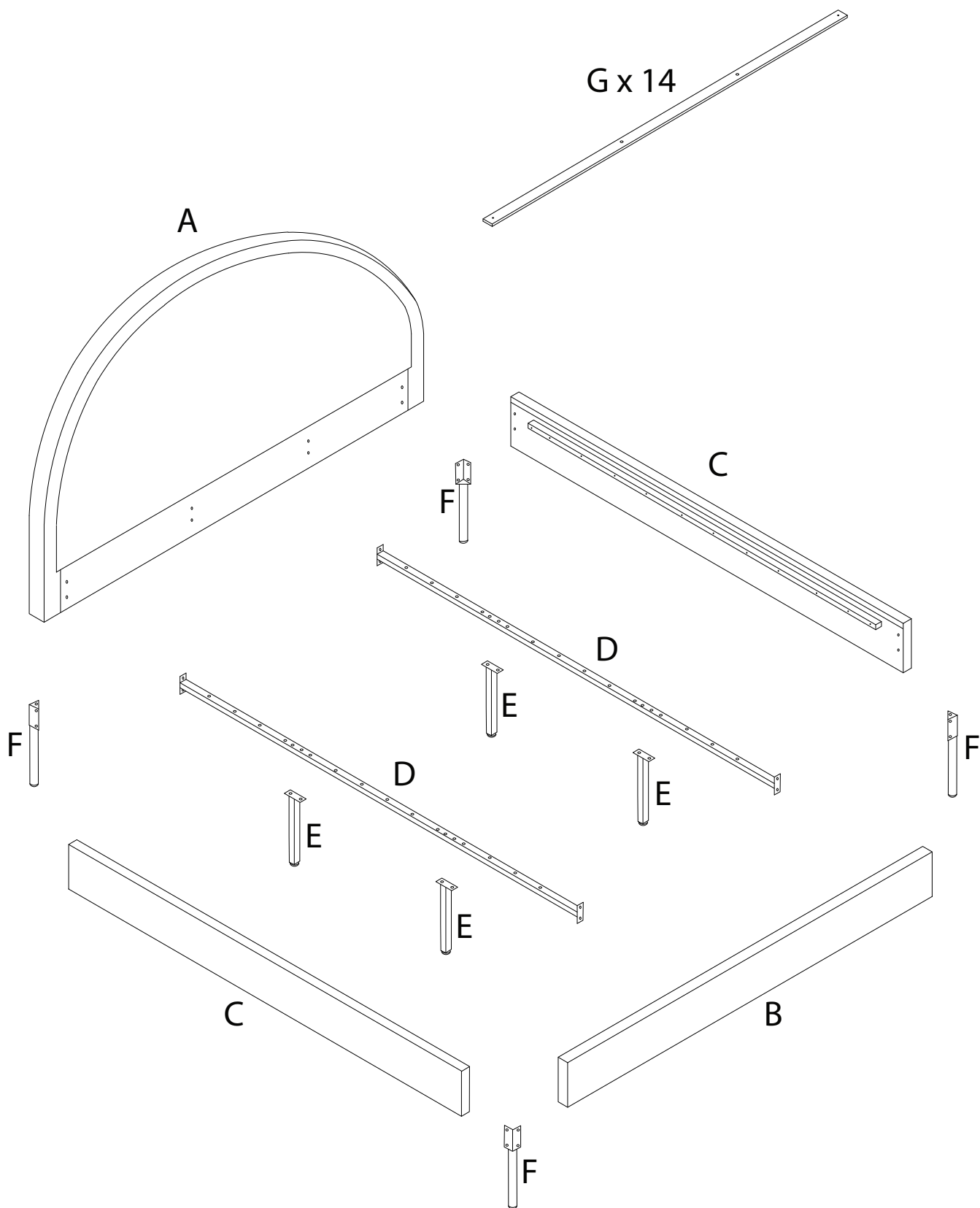
# MARGUT



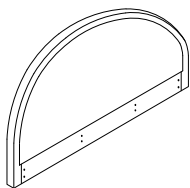


Assembly instructions for step 1/6:

- Tools:** A circle containing an Allen key, a screwdriver, and a wrench. A power drill is shown with a diagonal line through it, indicating it should not be used.
- Warning:** A triangle with an exclamation mark.
- Time:** A clock icon with the text "30'" below it, indicating an estimated assembly time of 30 minutes.
- Personnel:** A person icon with the number "2" below it, indicating that two people are required for assembly.
- Diagram:** A circle showing a mattress being placed on the bed frame. A second diagram shows the mattress being placed on a surface with a diagonal line through it, indicating it should not be placed on an uneven or soft surface.

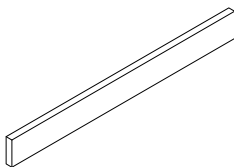


A



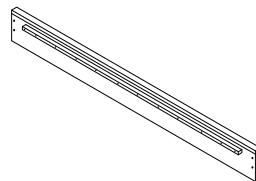
x 1

B



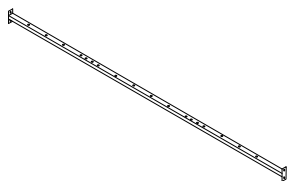
x 1

C



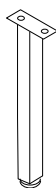
x 2

D



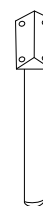
x 2

E



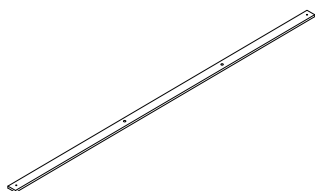
x 4

F



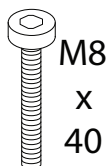
x 4

G



x 14

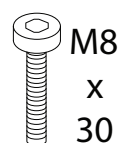
H



M8  
x  
40

x 36

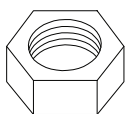
I



M8  
x  
30

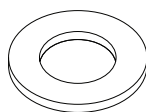
x 24

J



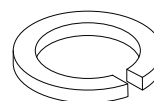
x 36

K



x 60

L



x 32

M



x 1

N



x 1

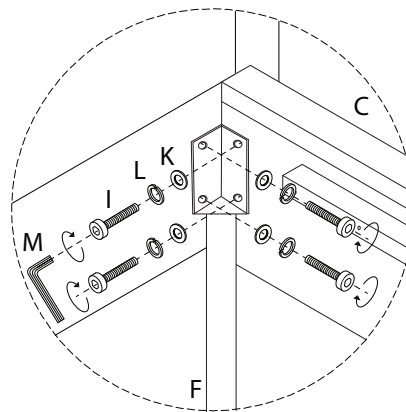
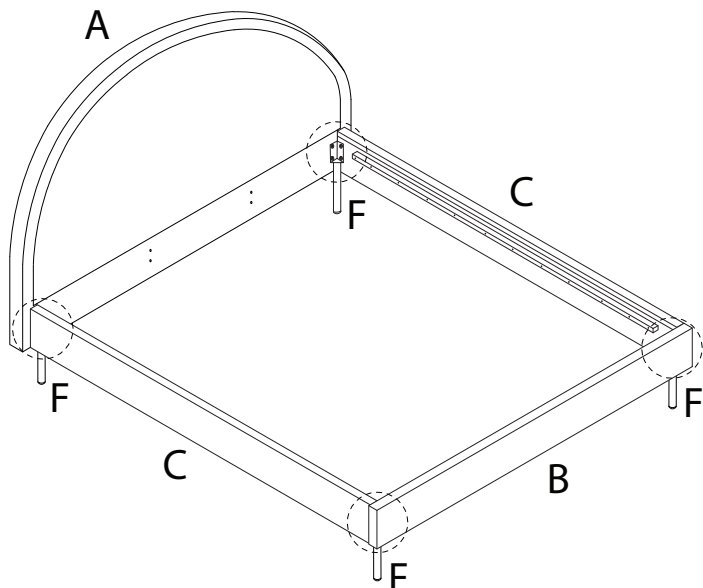
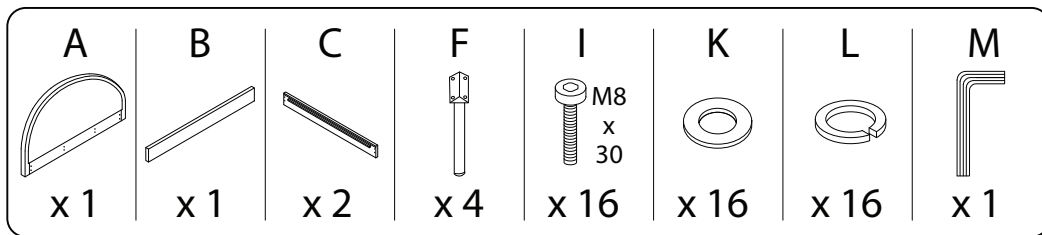
O



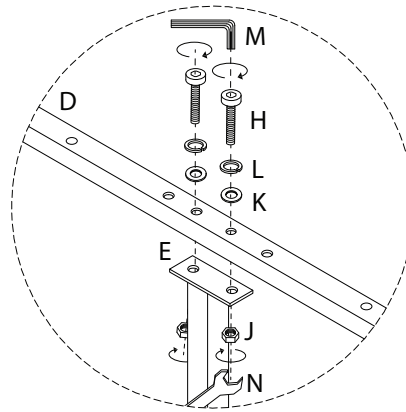
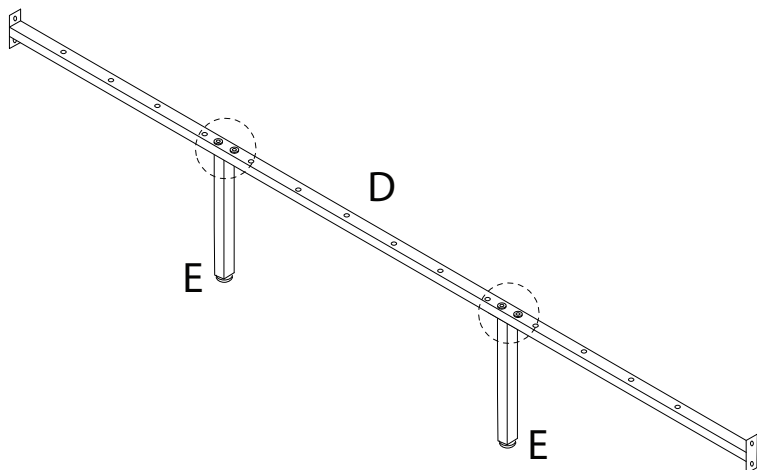
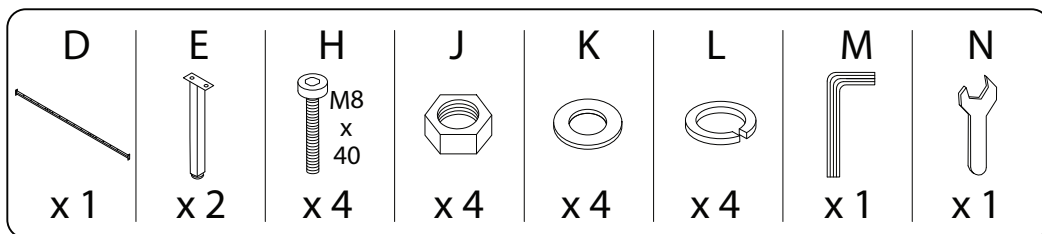
M4  
x  
25

x 28

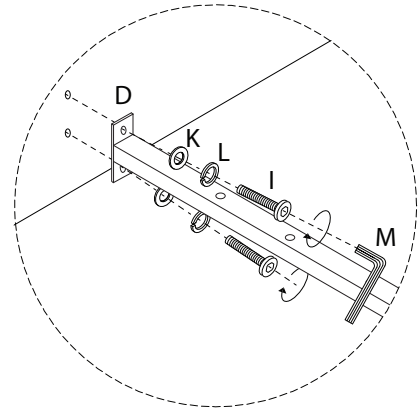
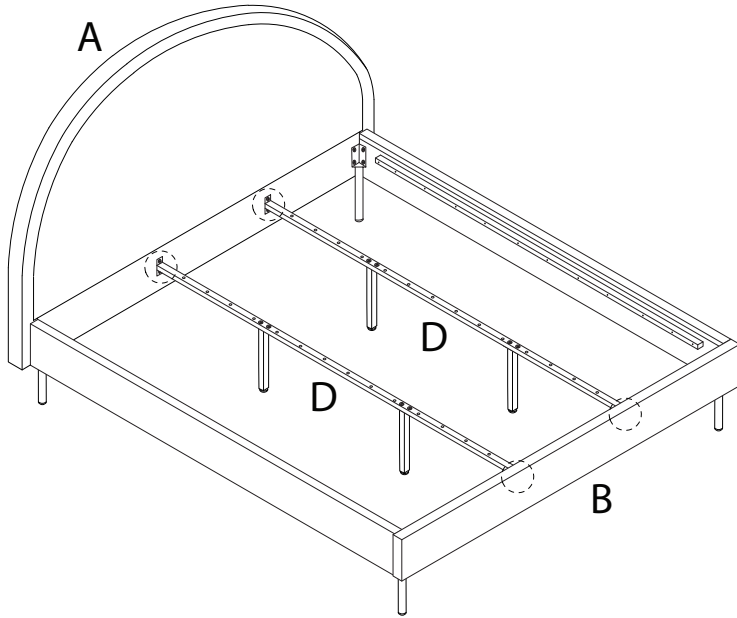
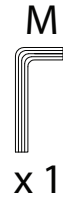
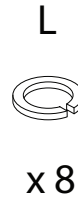
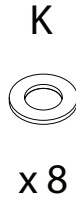
1



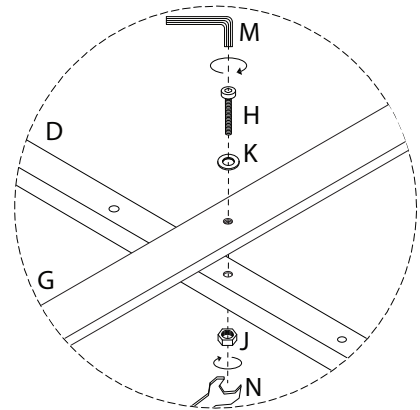
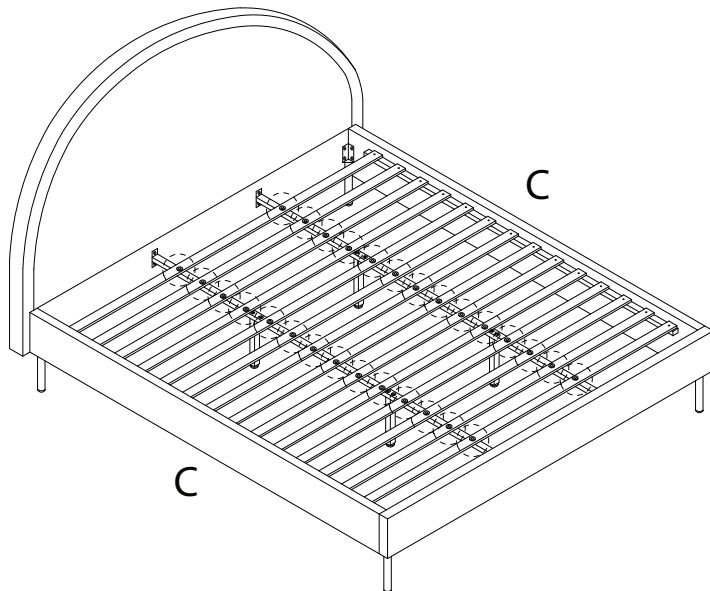
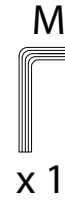
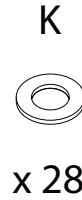
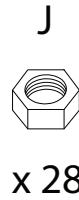
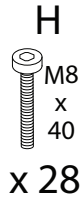
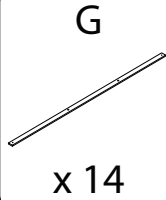
2 x 2



3



4



5

O  
M4  
x  
25  
x 28

