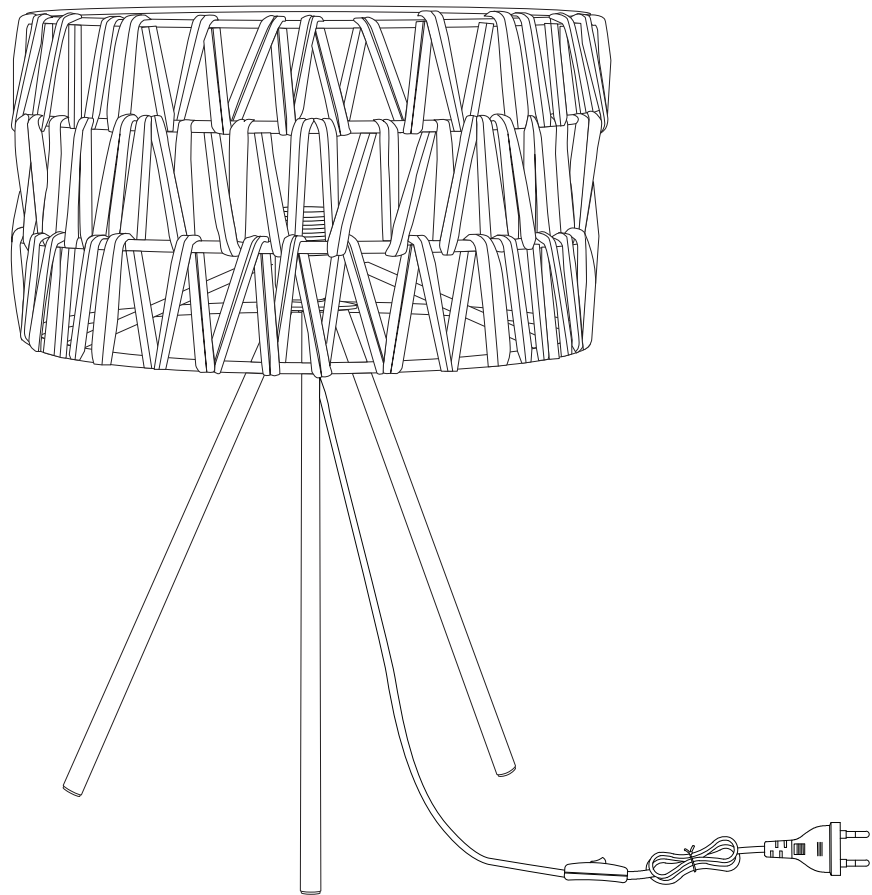
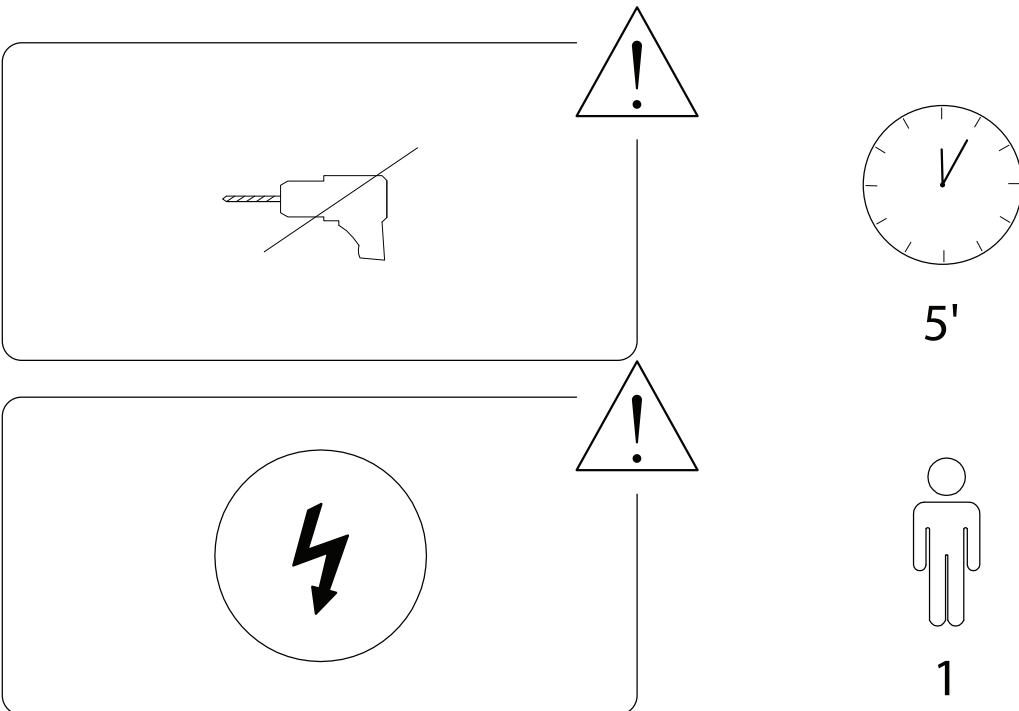
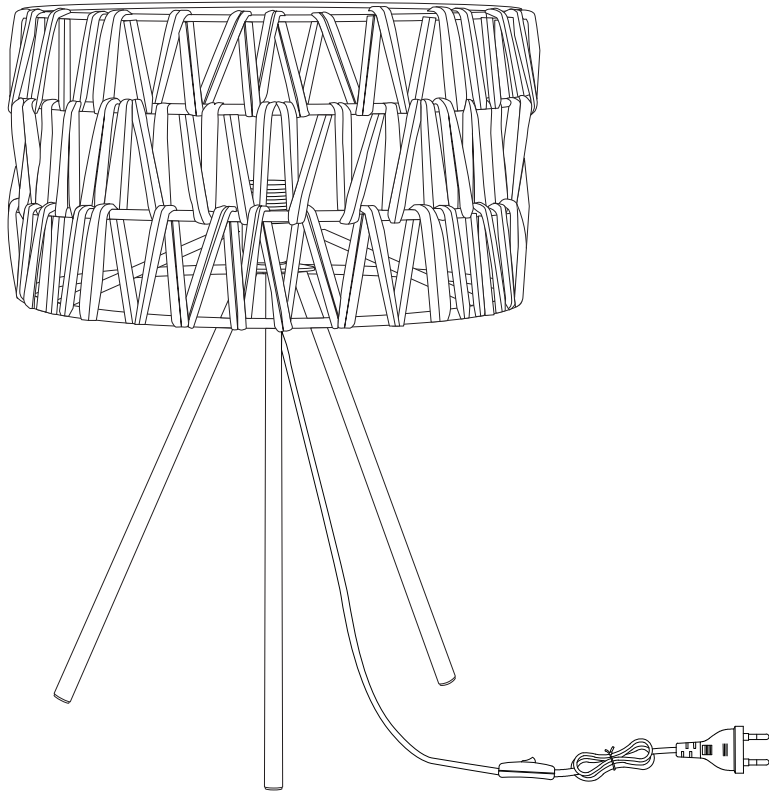
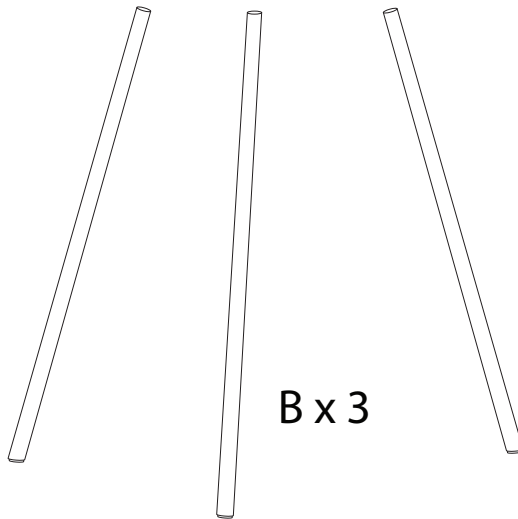
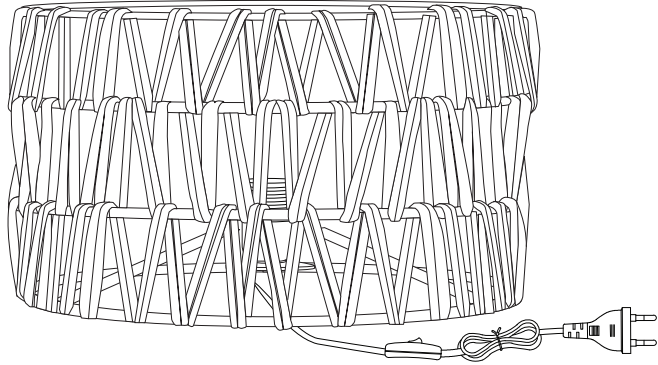


CULEBRA M



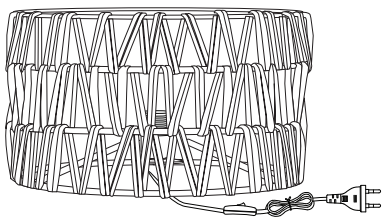


A



B x 3

A



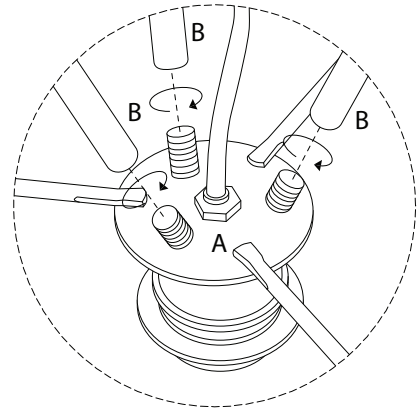
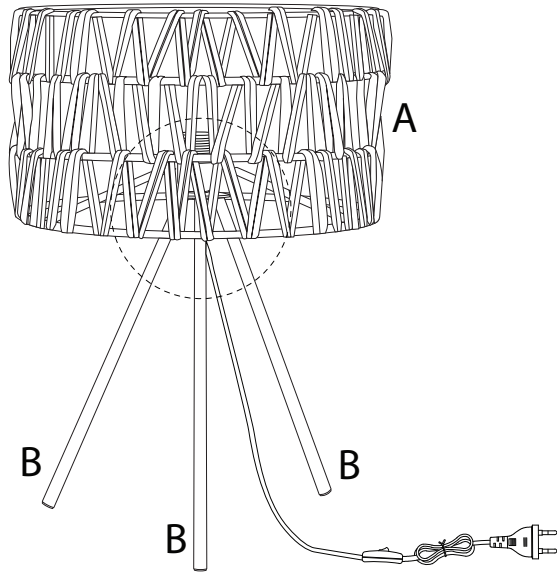
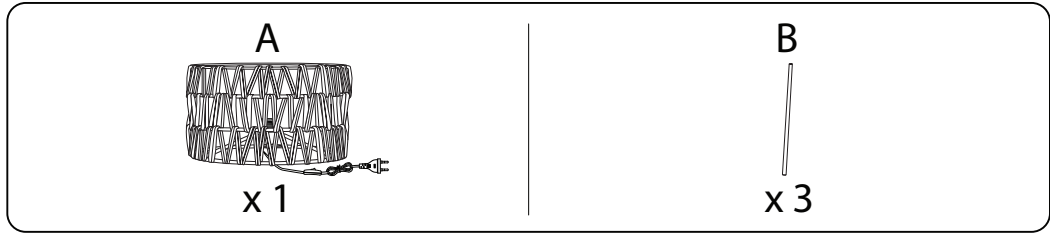
x 1

B



x 3

1



2

