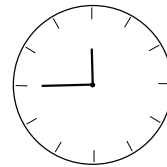
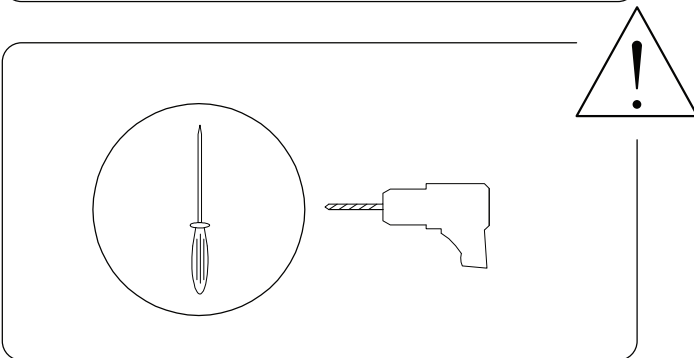
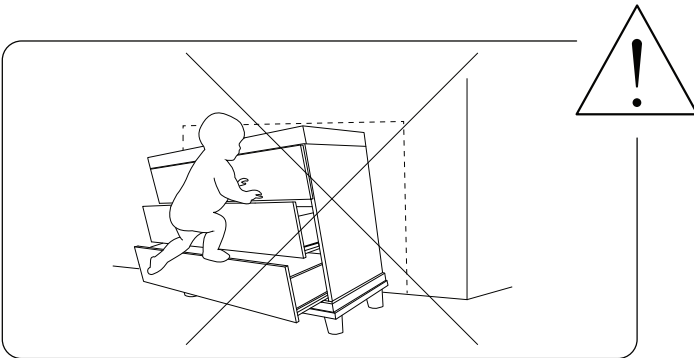
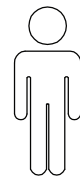
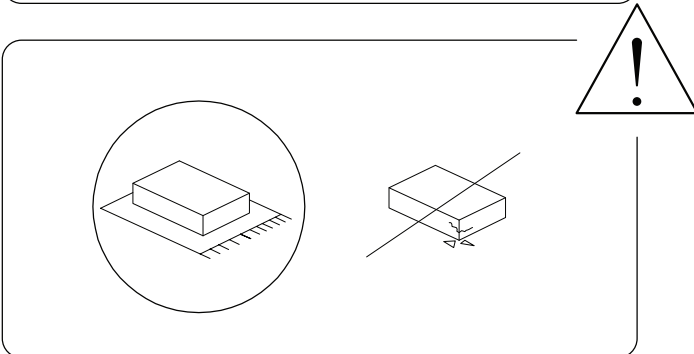


# CHELAN

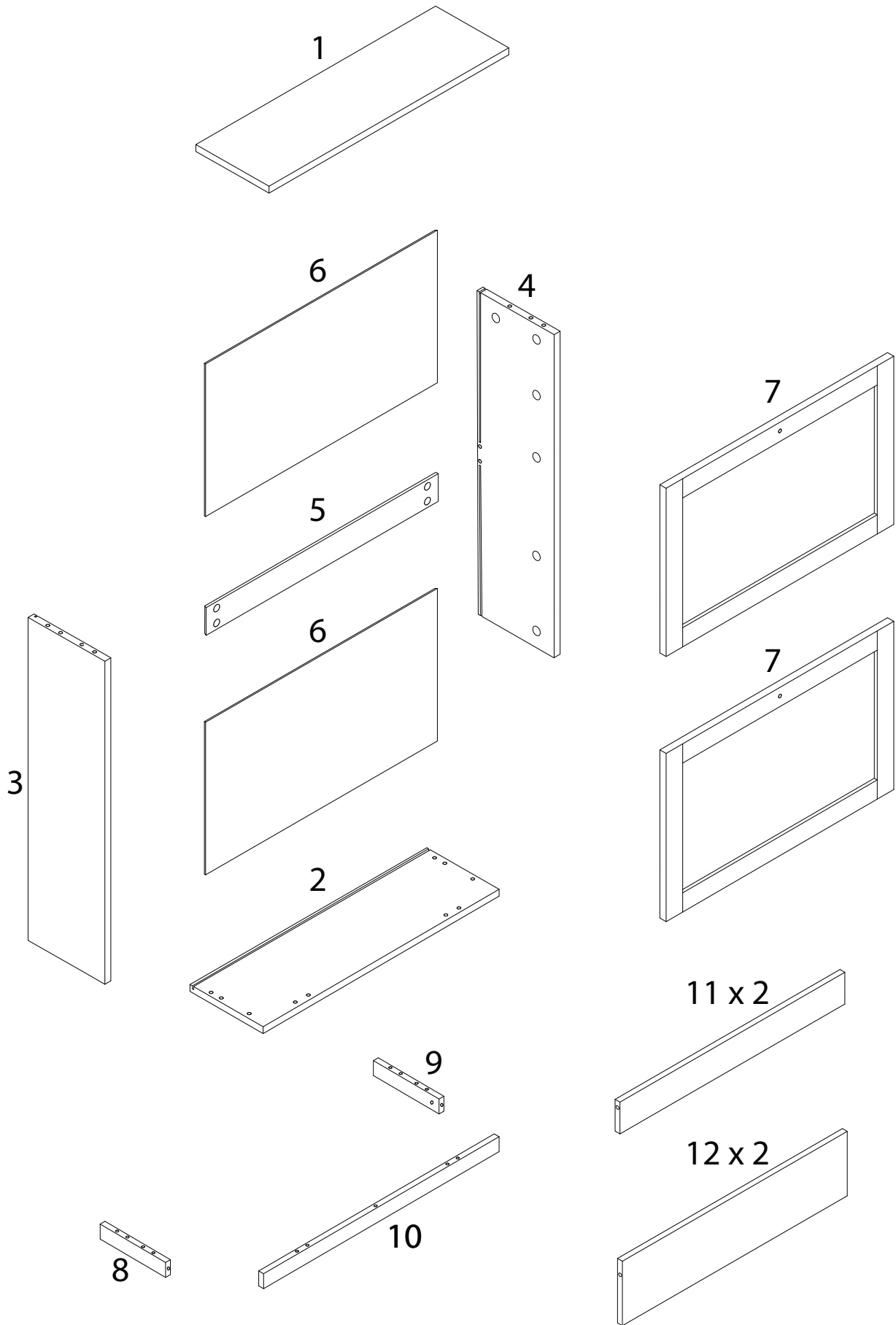




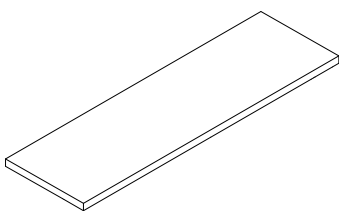
45'



2

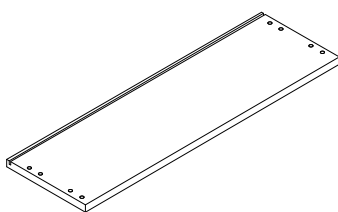


1



x 1

2



x 1

3



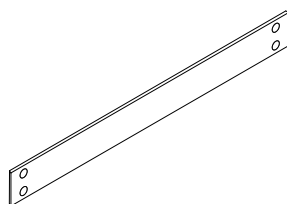
x 1

4



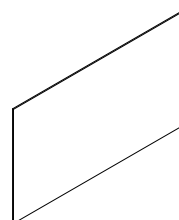
x 1

5



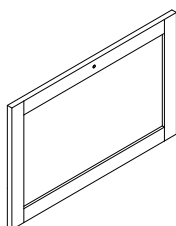
x 1

6



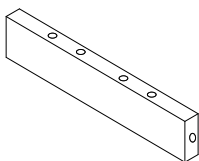
x 2

7



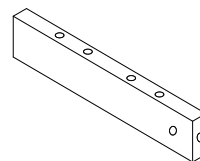
x 2

8



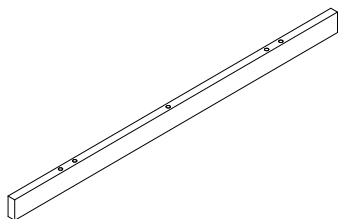
x 1

9



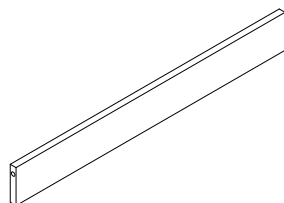
x 1

10



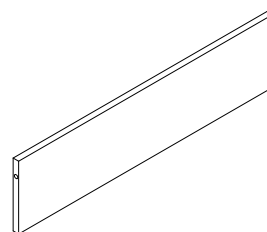
x 1

11



x 2

12



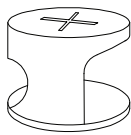
x 2

A



x 10

B



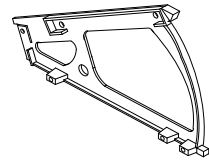
x 10

C



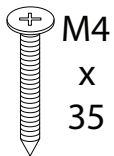
x 12

D



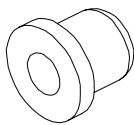
x 2

E



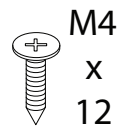
x 4

F



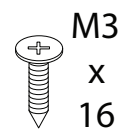
x 4

G



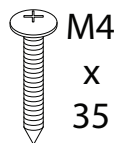
x 16

H



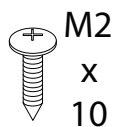
x 8

J1



x 2

J2



x 2

J3



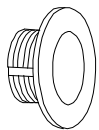
x 2

J4



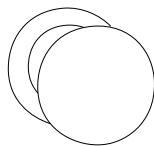
x 2

K



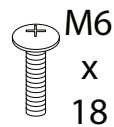
x 4

L



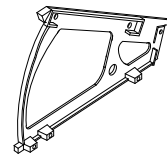
x 2

M



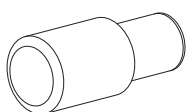
x 2

N



x 2

O



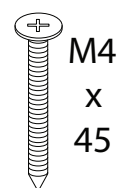
x 4

P



x 8

Q



x 5

U



x 8

1

3

x 1

4

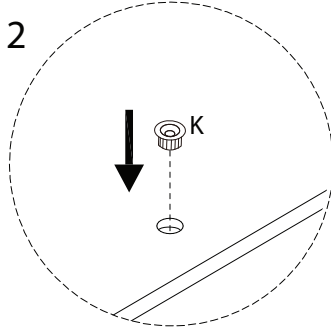
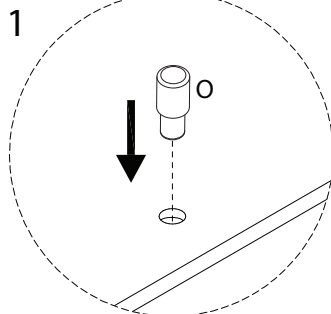
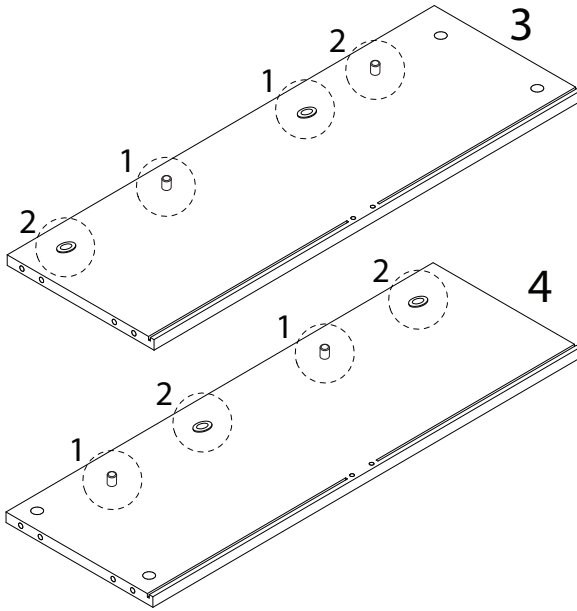
x 1

K

x 4

O

x 4



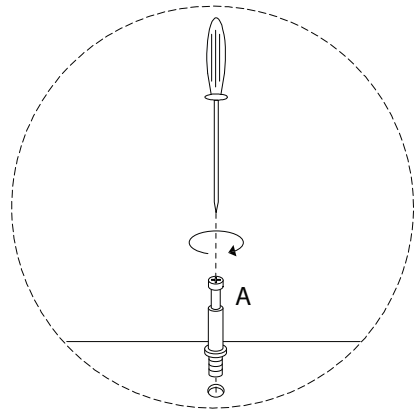
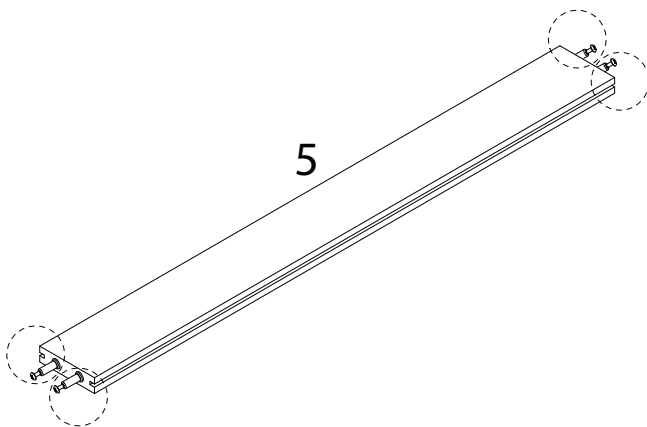
2

5

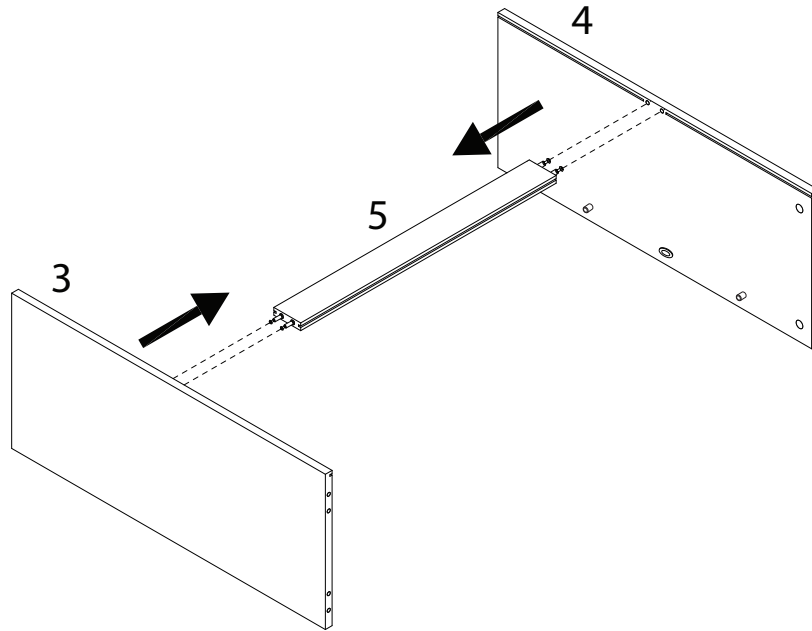
x 1

A

x 4



3

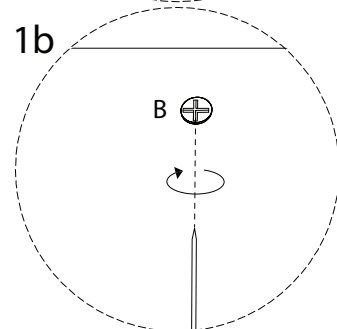
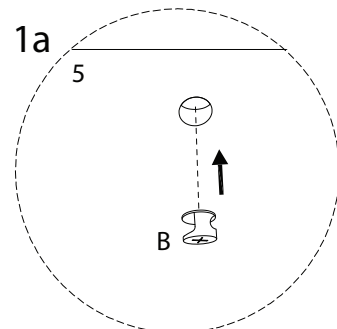
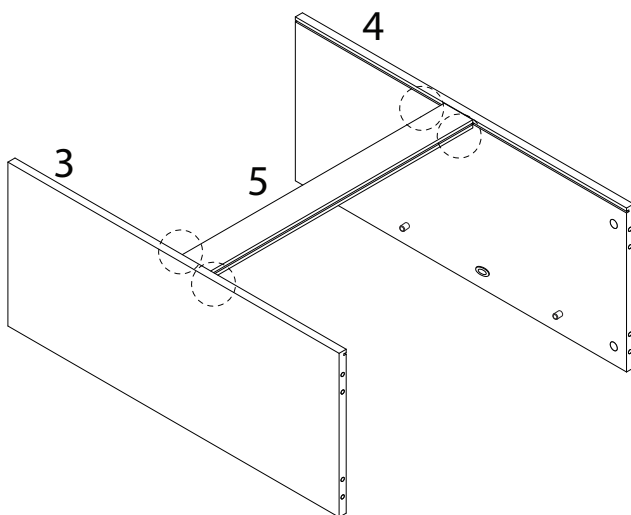


4

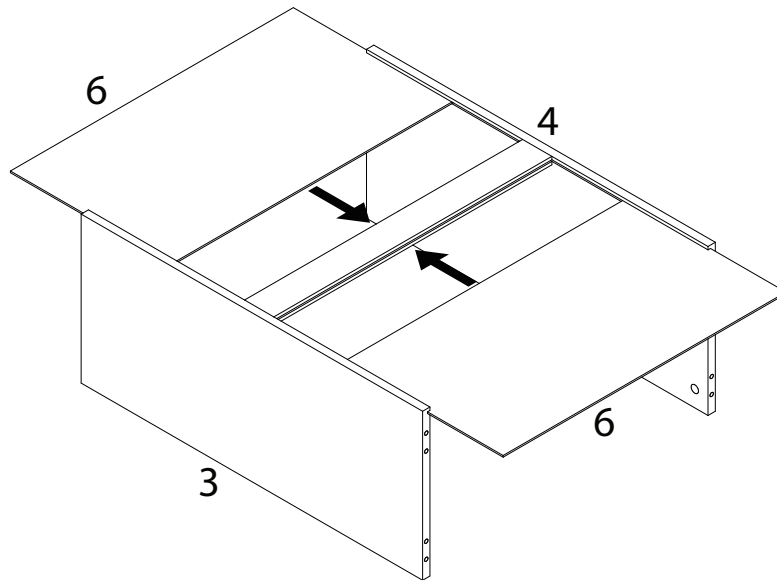
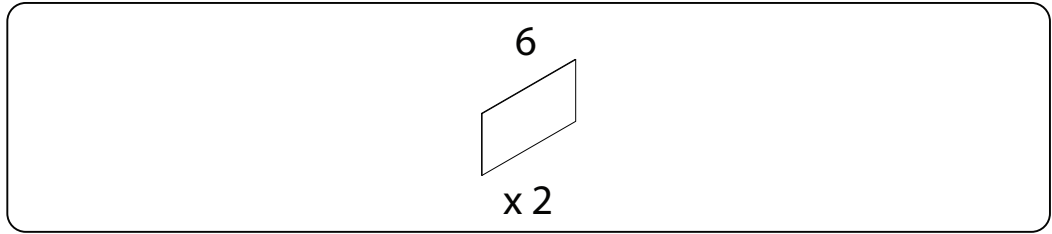
B



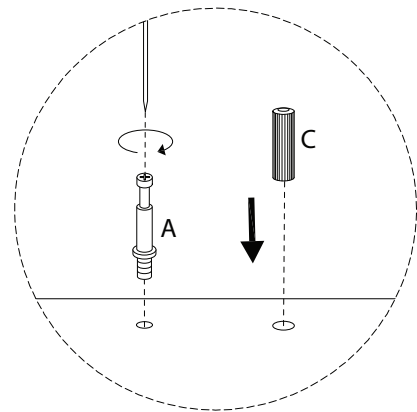
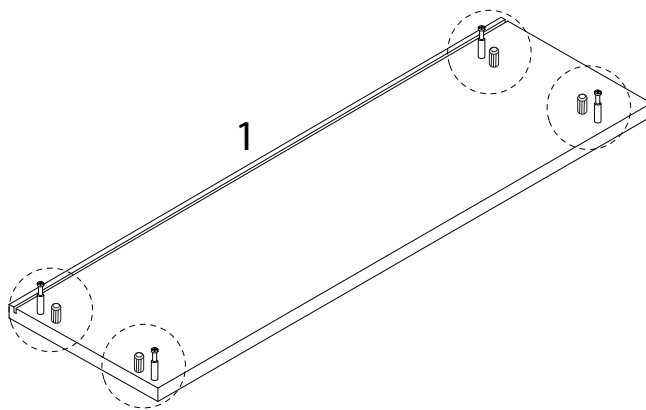
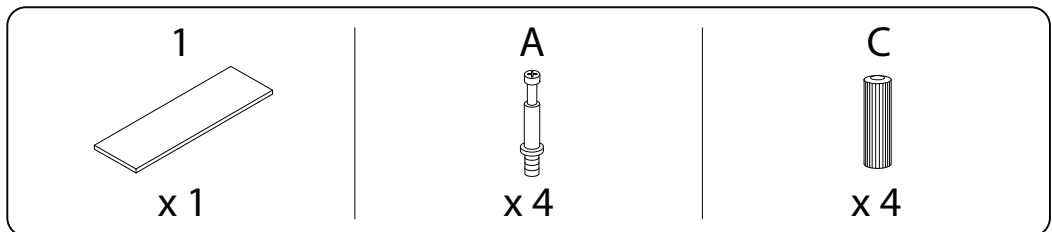
x 4



5

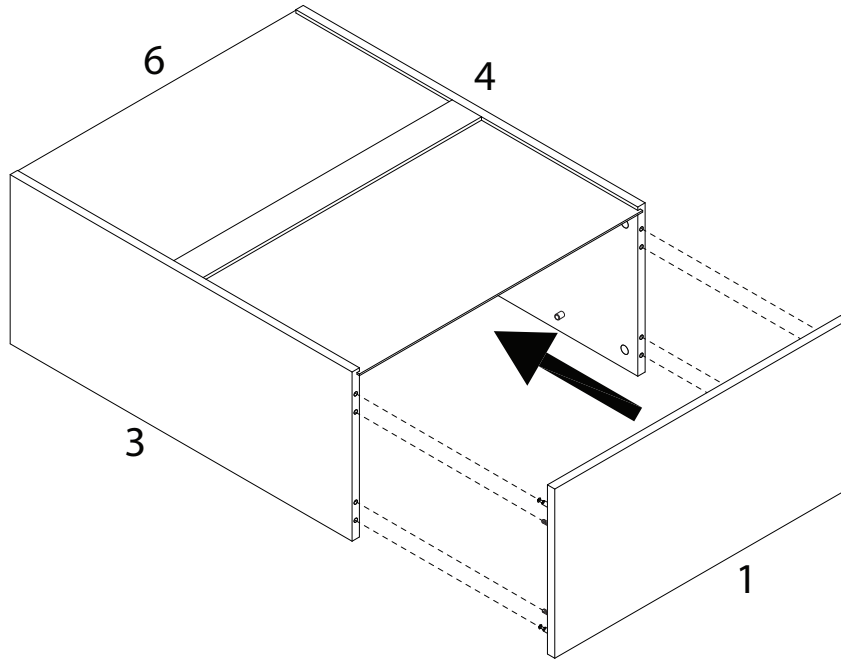


6





7

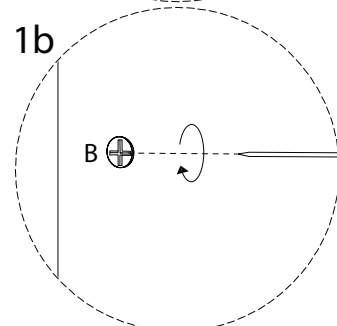
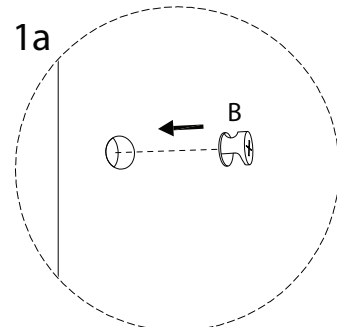
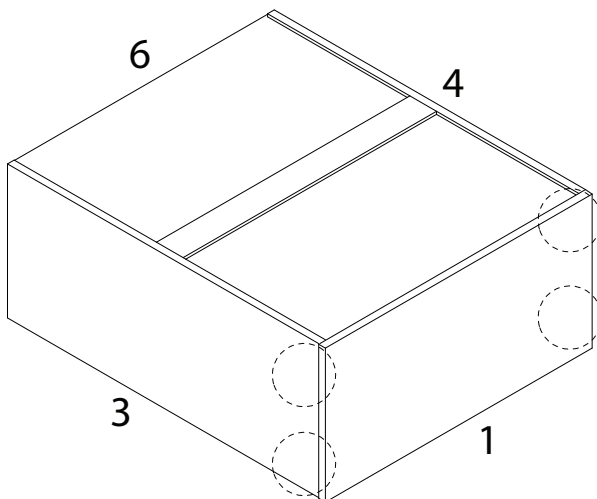


8

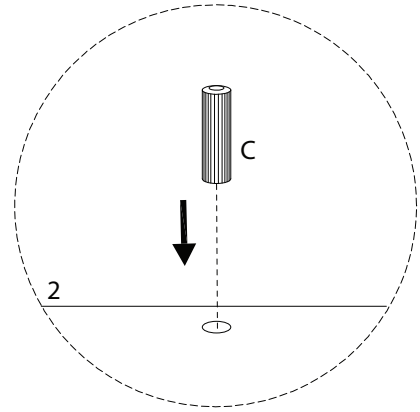
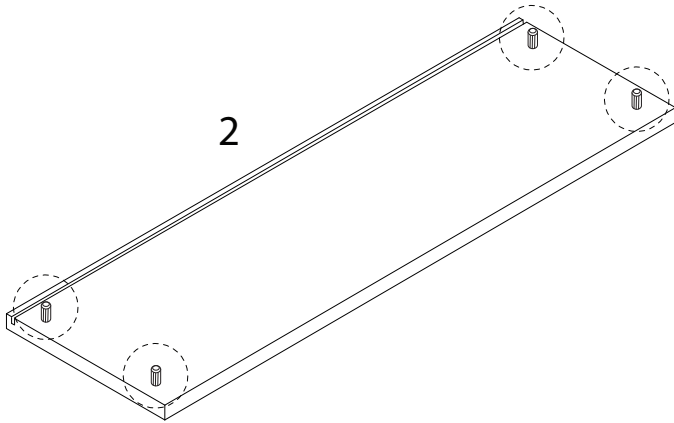
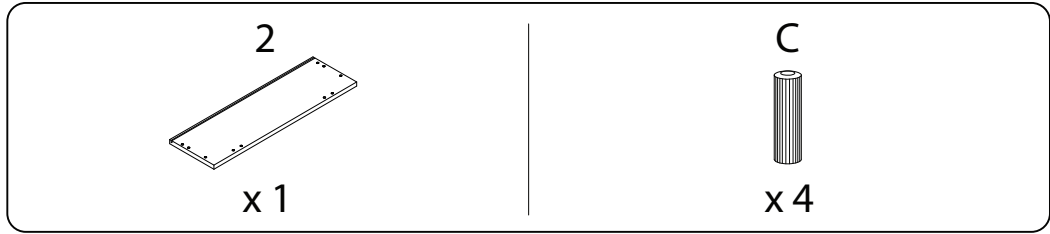
B



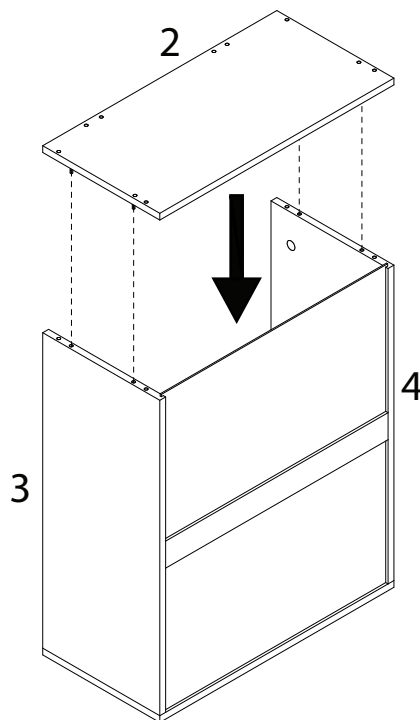
x 4



9

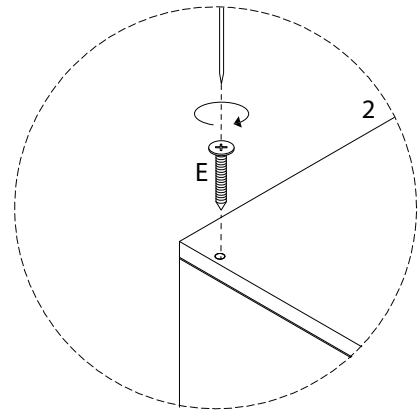
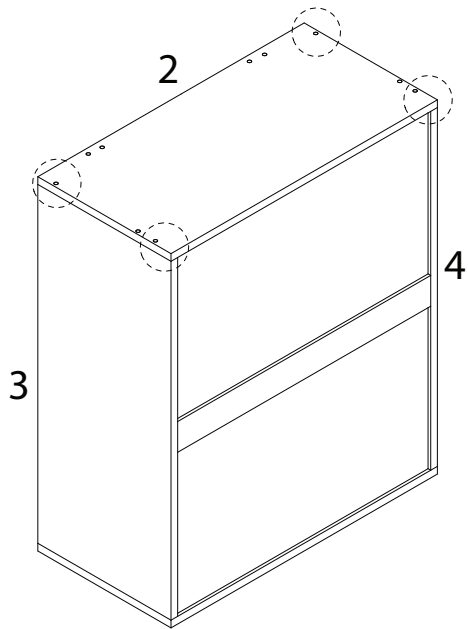


10



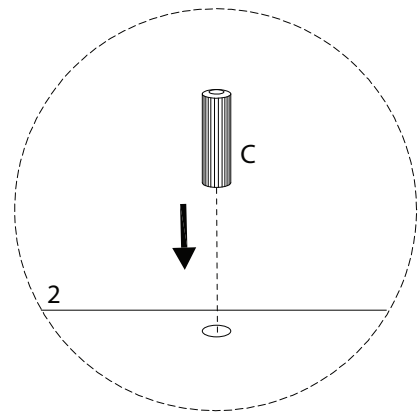
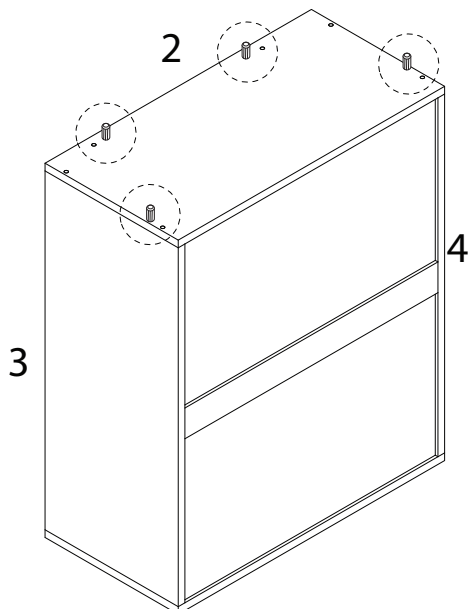
11

E  
M4  
x  
35  
x 4

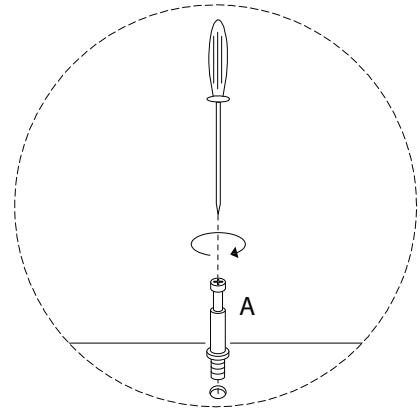
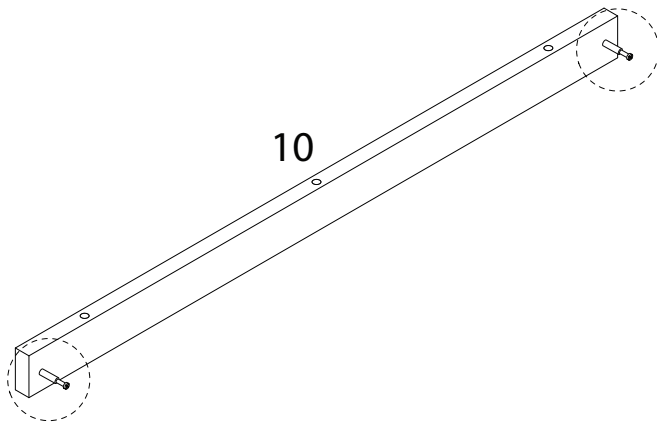
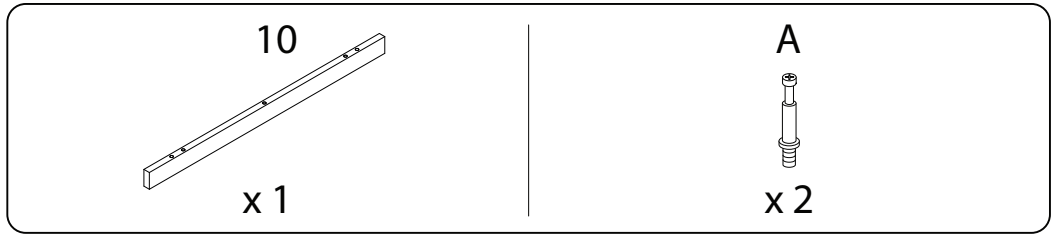


12

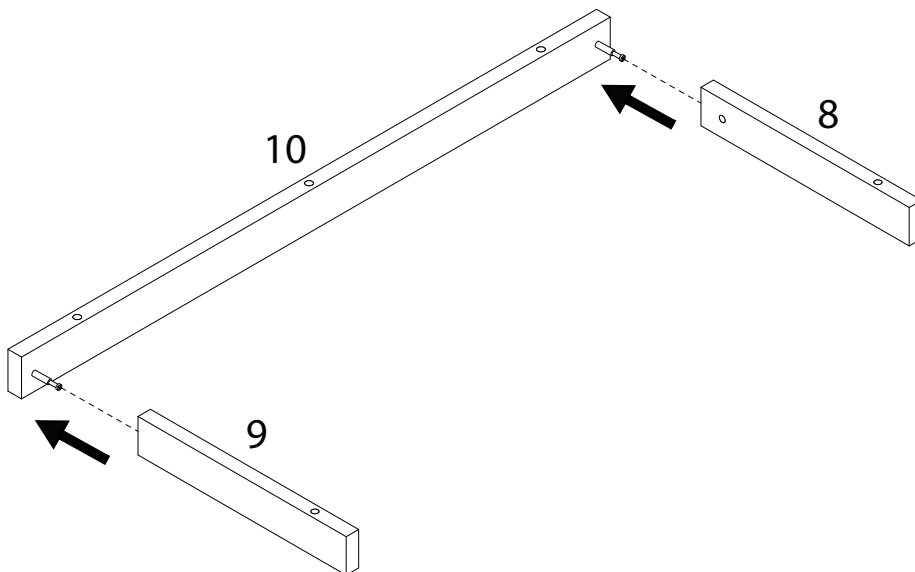
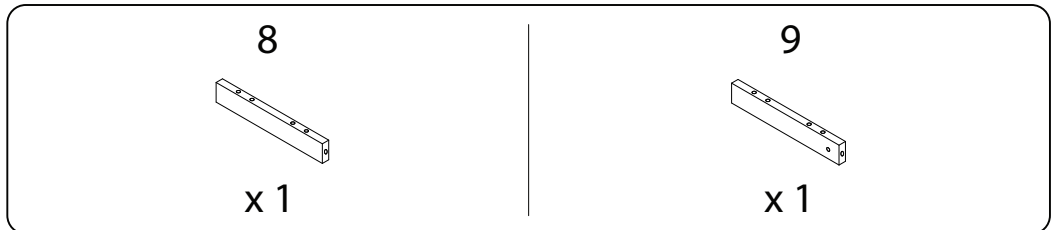
C  
x 4



13



14

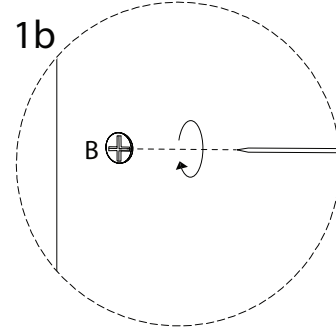
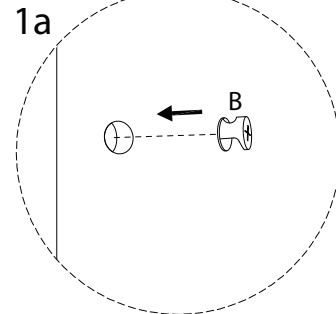
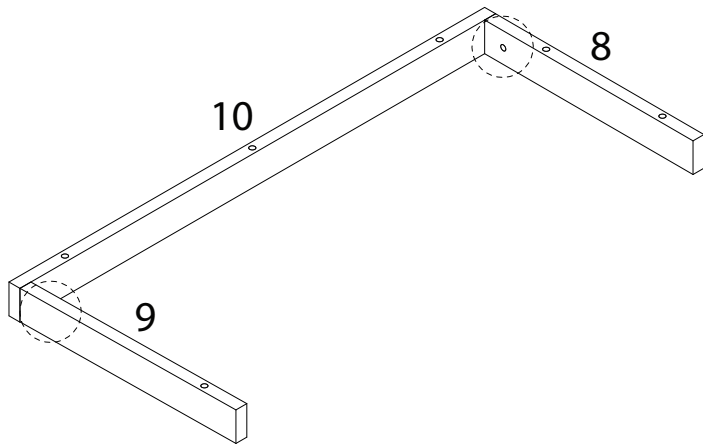


15

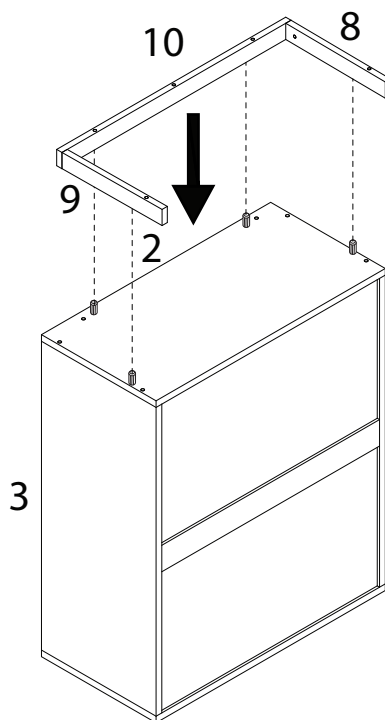
B



x 2

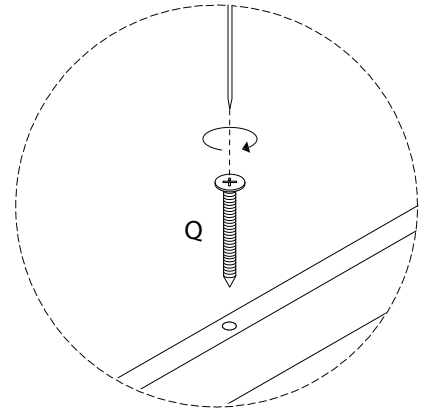
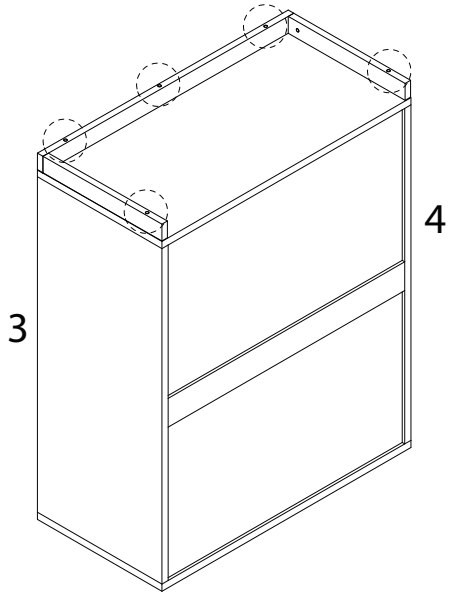


16



17

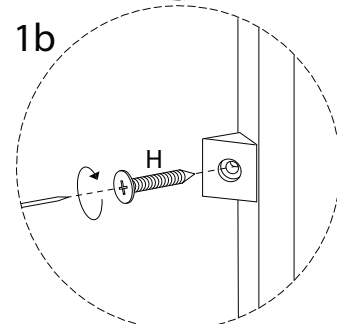
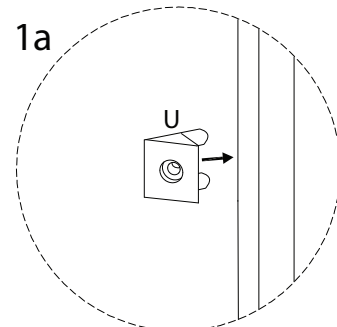
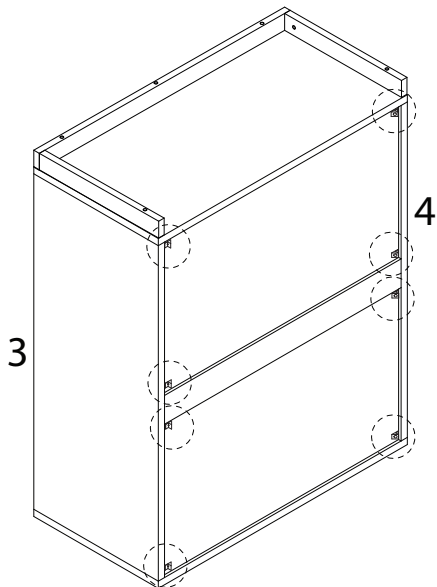
Q  
M4  
x  
45  
x 5



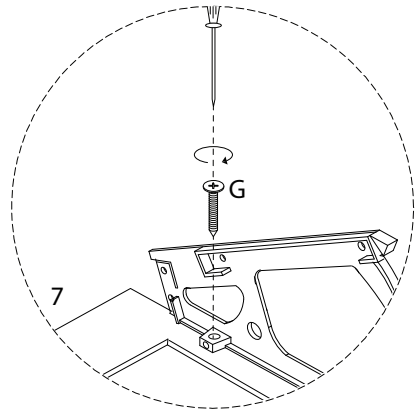
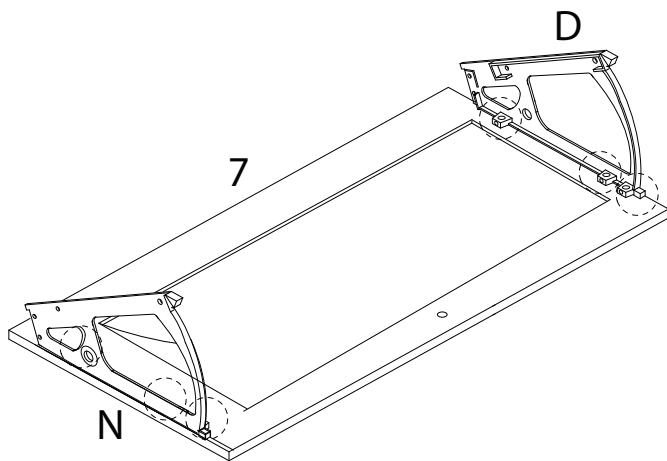
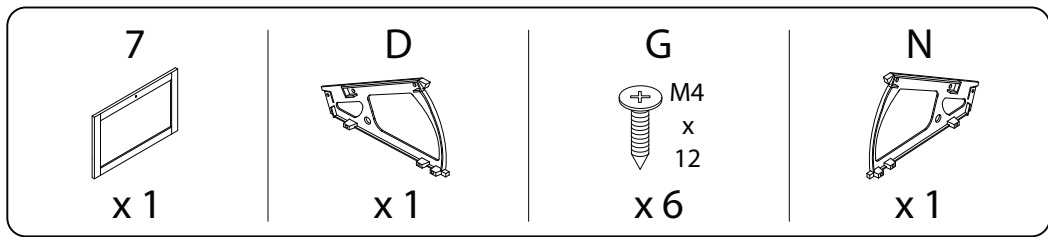
18

H  
M6  
x  
16  
x 8

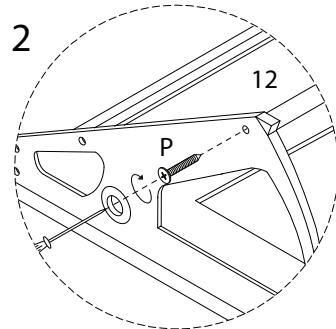
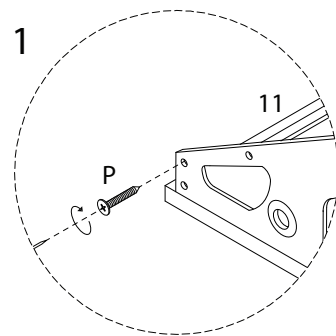
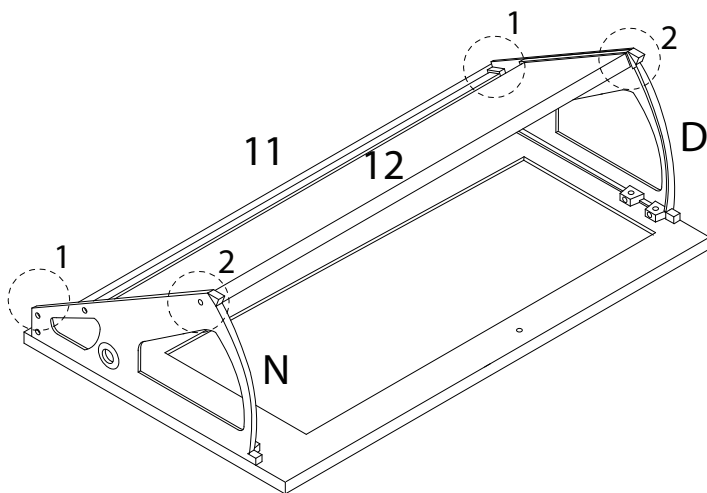
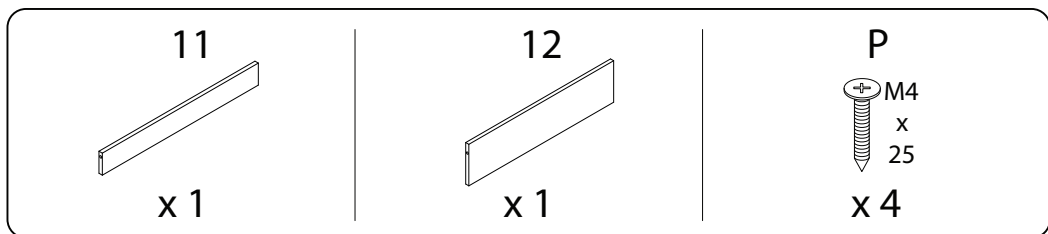
U  
x 8



19 x 2



20 x 2



21 x 2

M

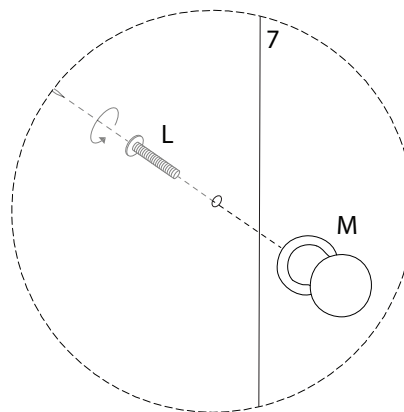
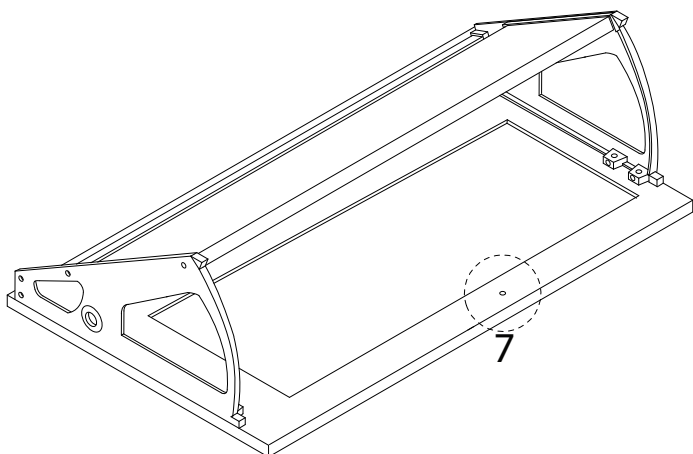


x 1

L



x 1



22

F

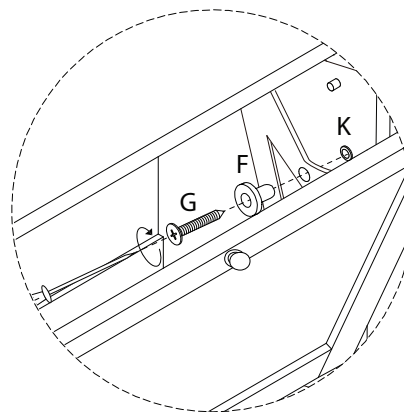
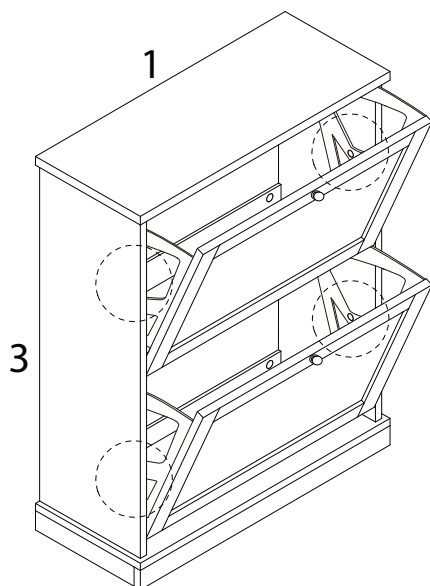


x 4

G


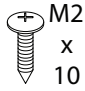




x 4





23

<p>J1</p>  <p>M4 x 35</p> <p>x 2</p>	<p>J2</p>  <p>M2 x 10</p> <p>x 2</p>	<p>J3</p>  <p>x 2</p>	<p>J4</p>  <p>x 2</p>
---	---	--	--

