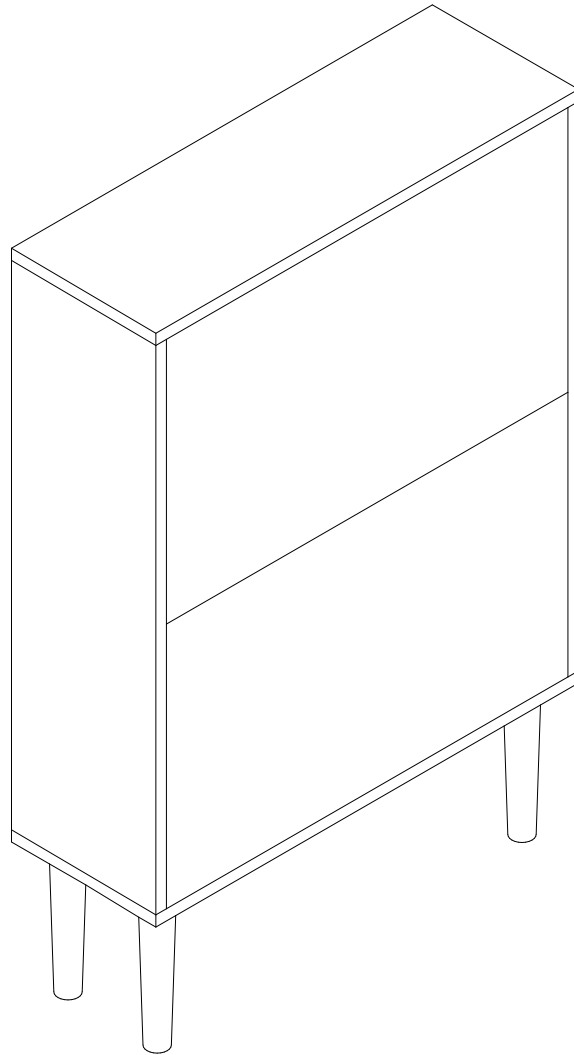
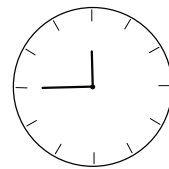
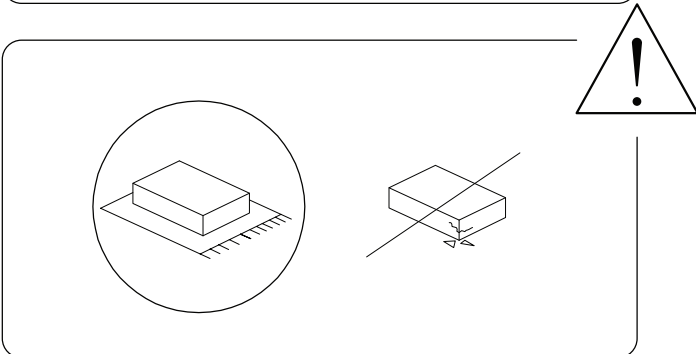
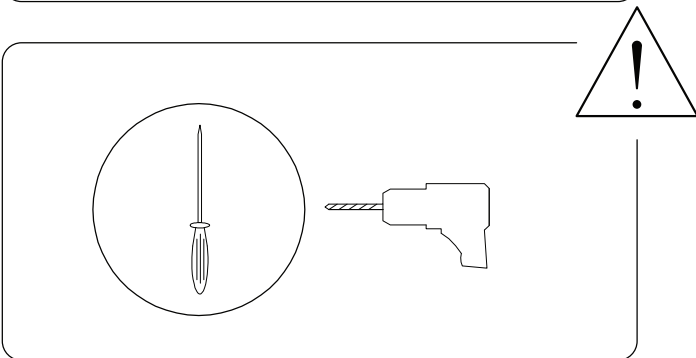
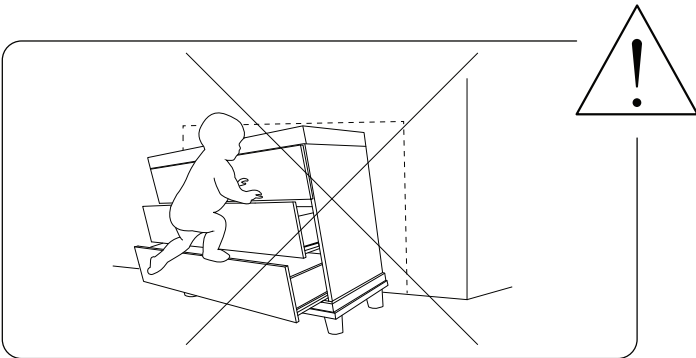
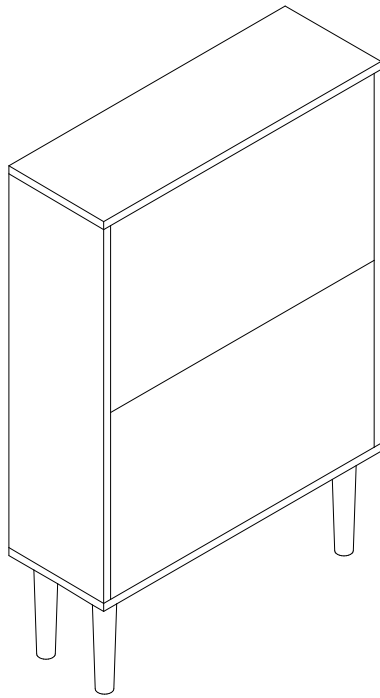
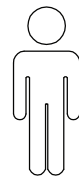


NORRIS

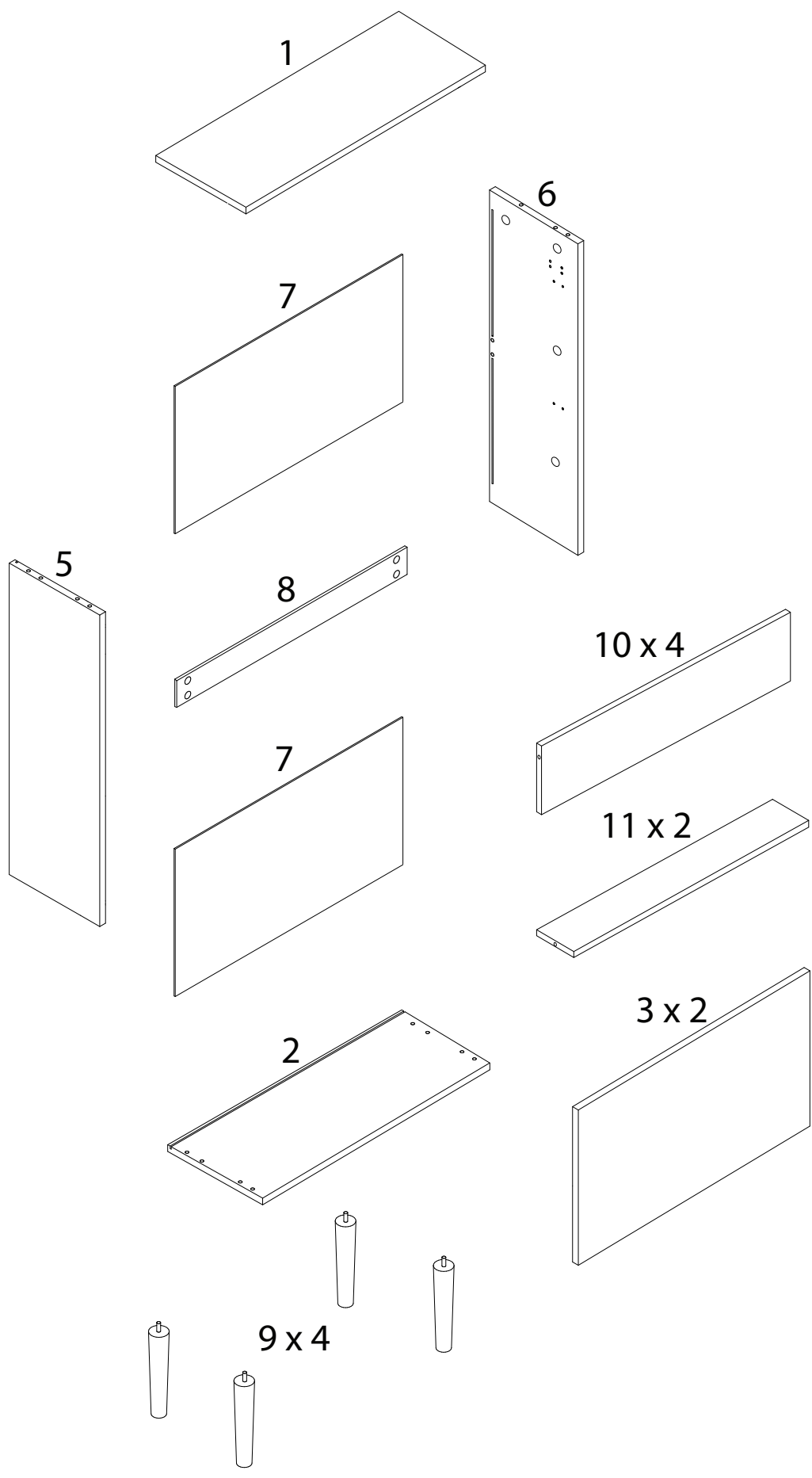


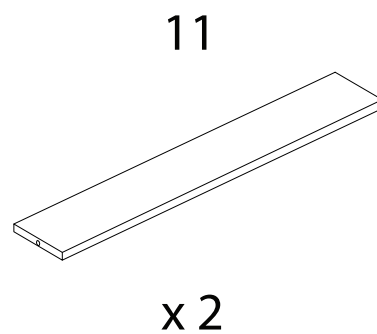
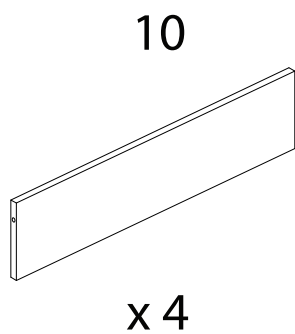
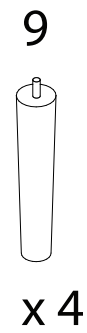
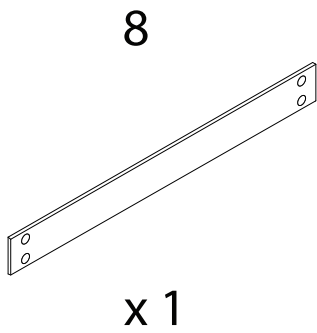
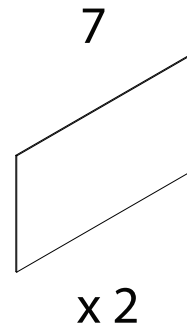
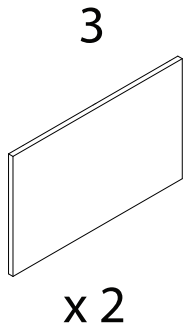
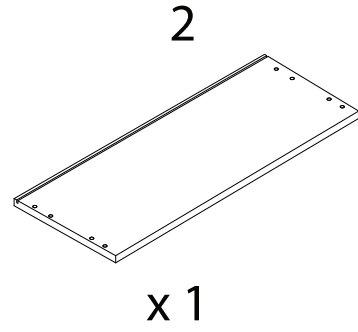
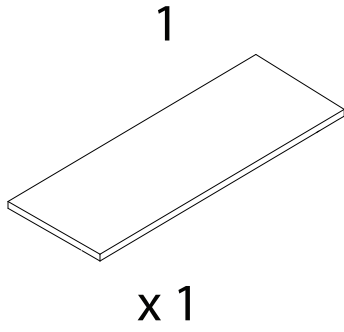


45'



2



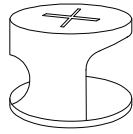


A



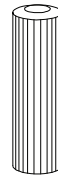
x 8

B



x 8

C



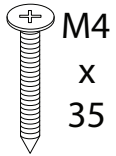
x 8

D



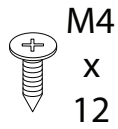
x 12

E



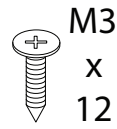
x 4

F



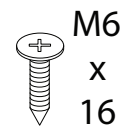
x 16

G



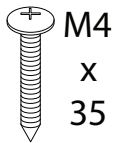
x 4

H



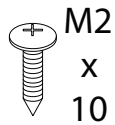
x 8

J1



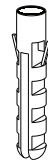
x 2

J2



x 2

J3



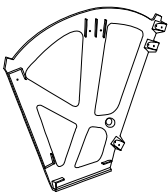
x 2

J4



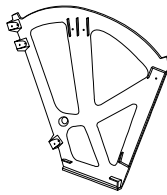
x 2

K



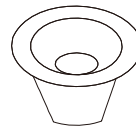
x 2

L



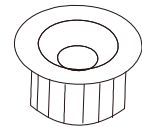
x 2

M



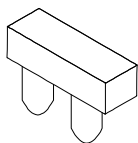
x 4

N



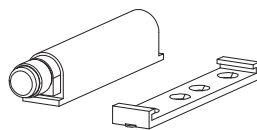
x 4

O



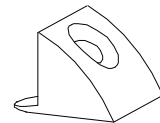
x 4

P



x 2

U



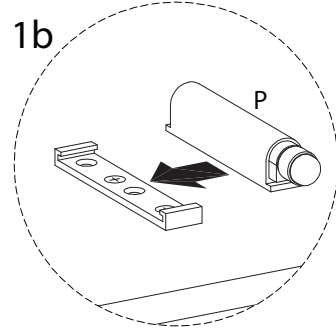
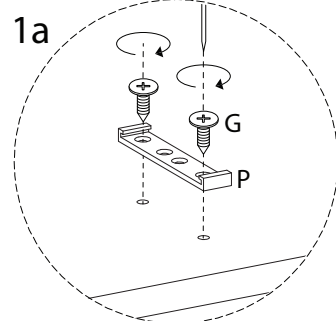
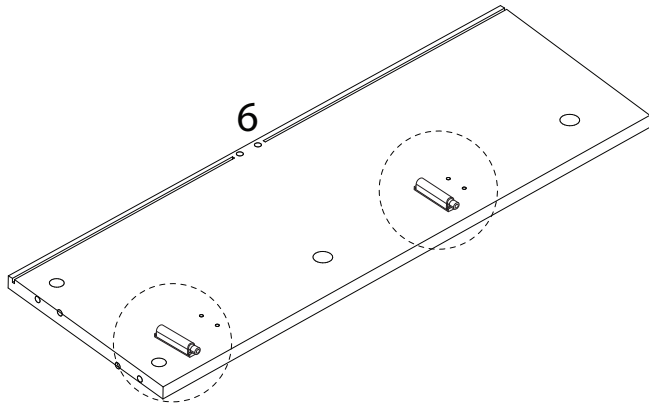
x 8

1

6
x 1

G
M3
x
12
x 4

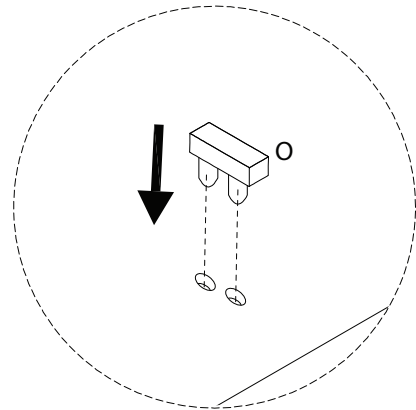
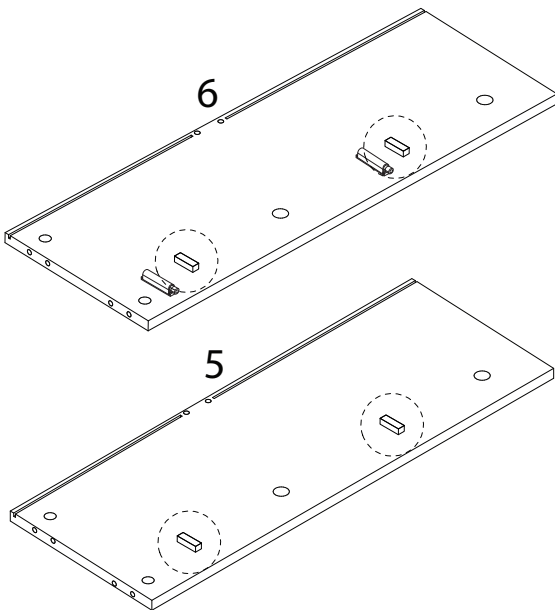
P
x 2



2

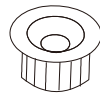
5
x 1

O
x 4

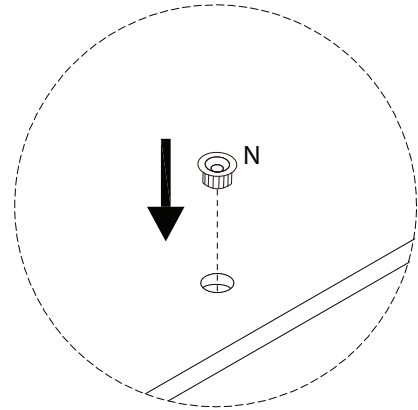
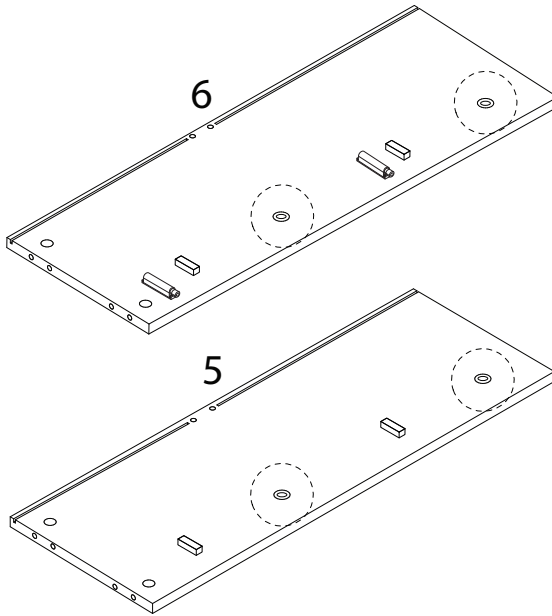


3

N

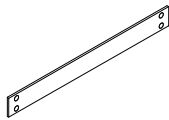


x 4



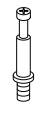
4

8

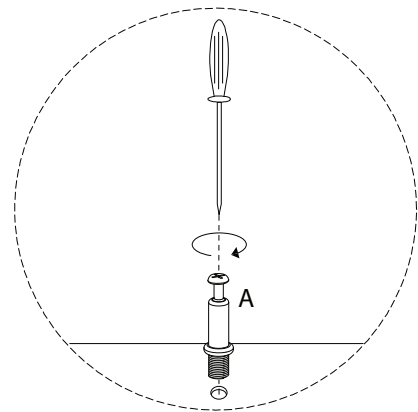
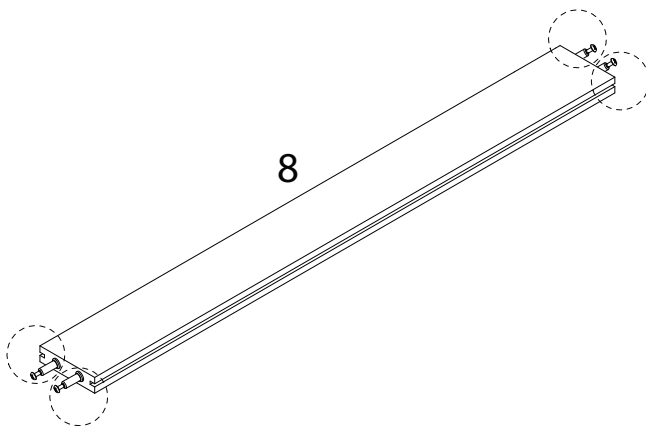


x 1

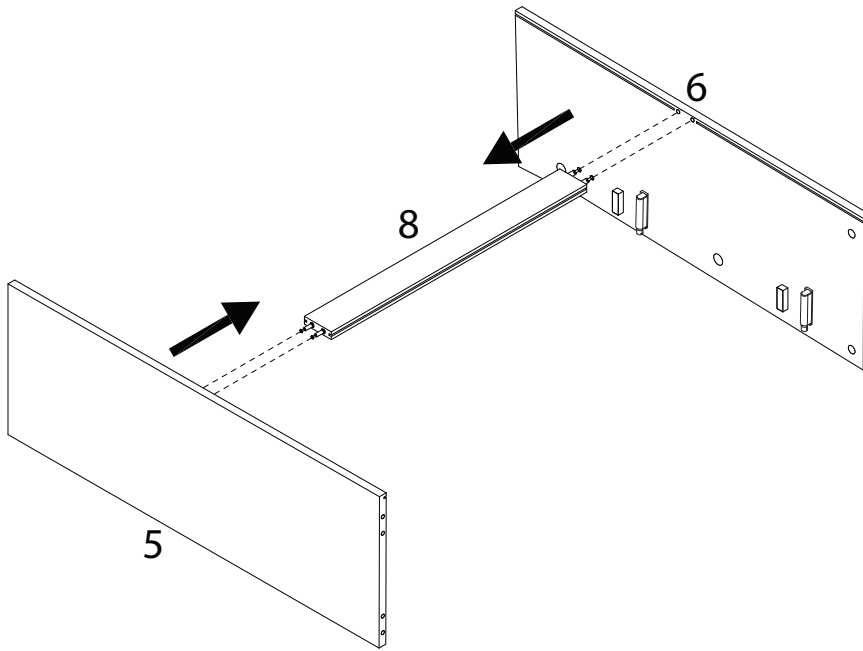
A



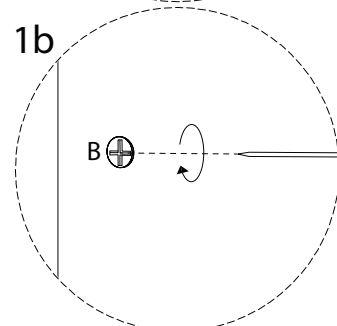
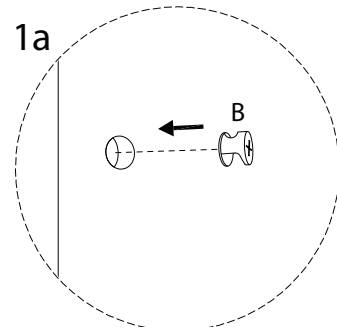
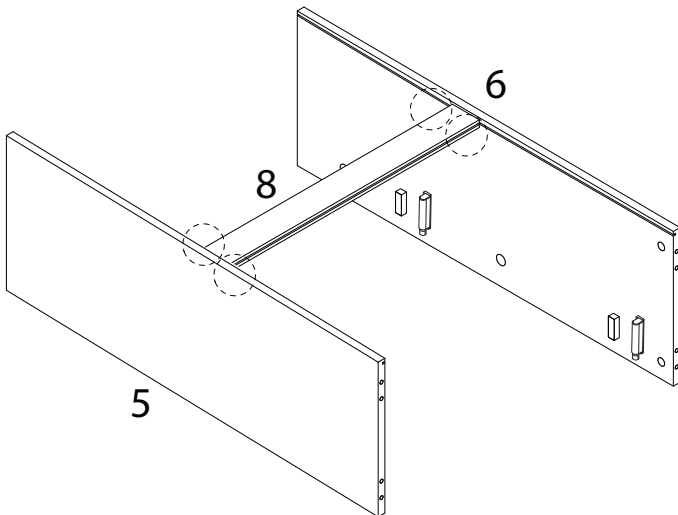
x 4



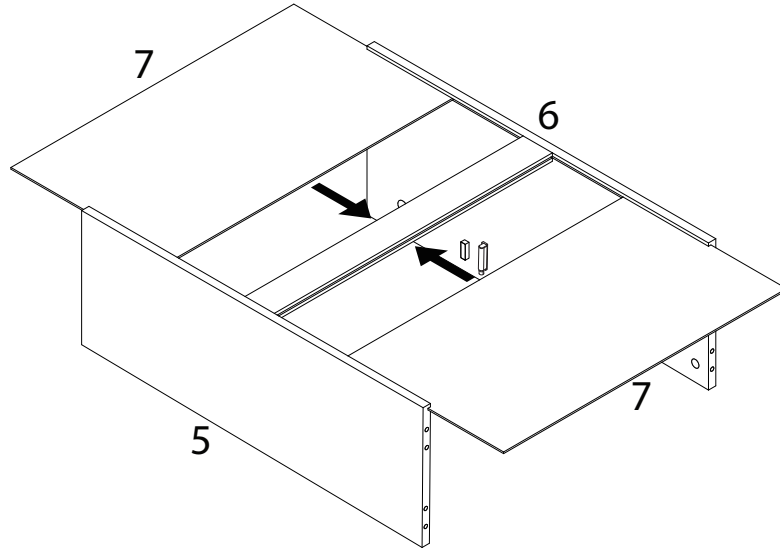
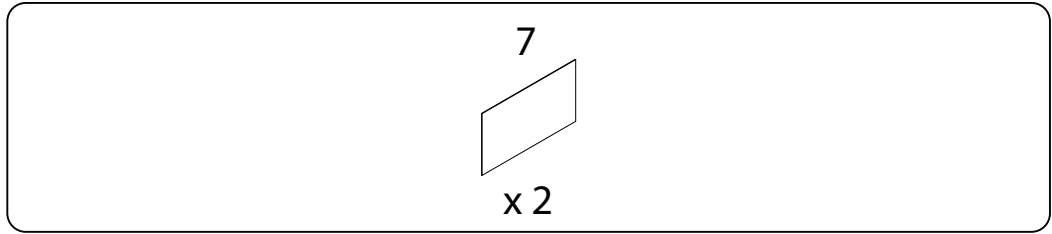
5



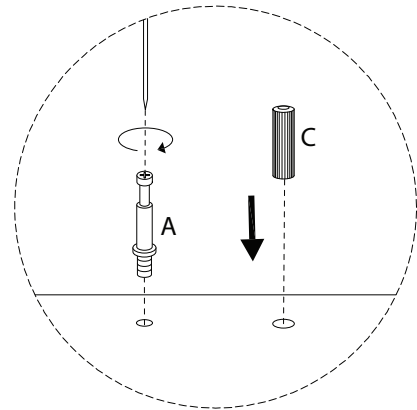
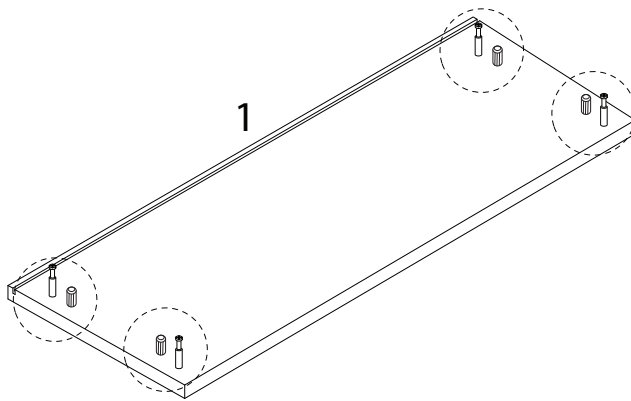
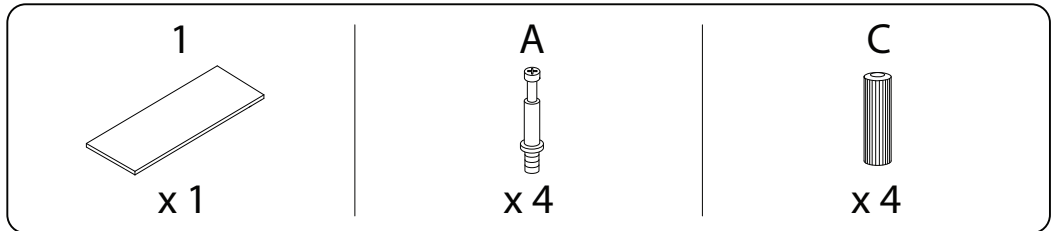
6



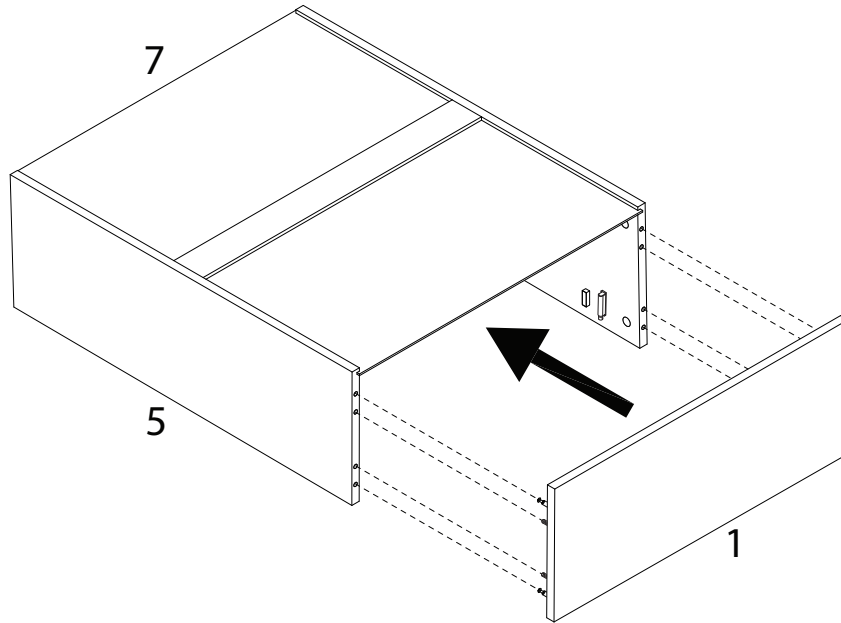
7



8



9

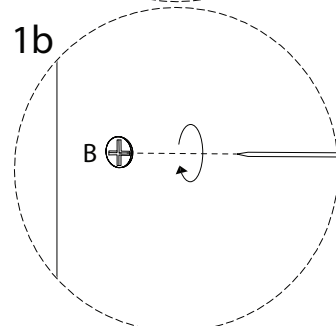
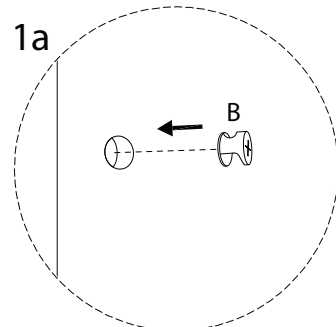
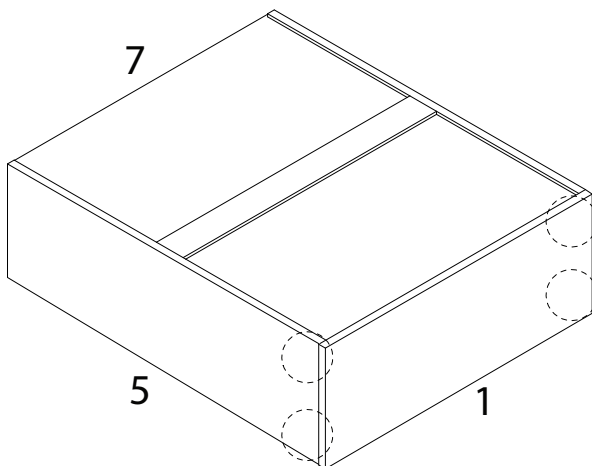


10

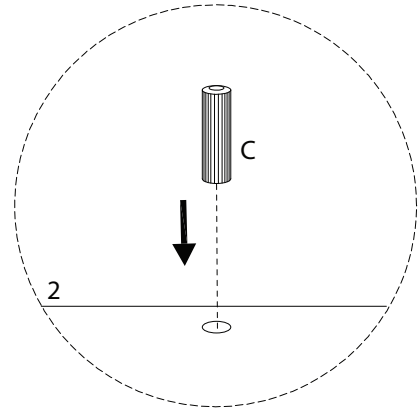
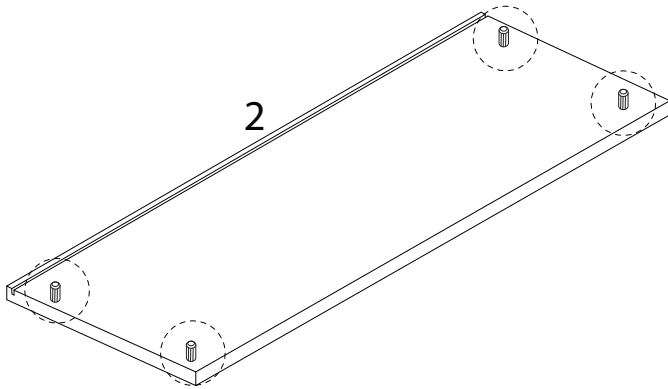
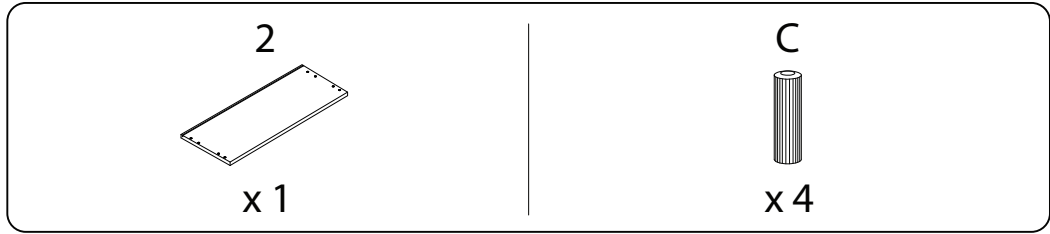
B



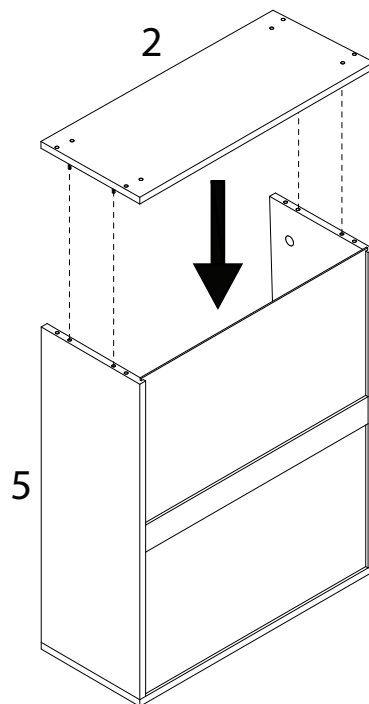
x 4



11

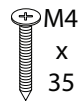


12

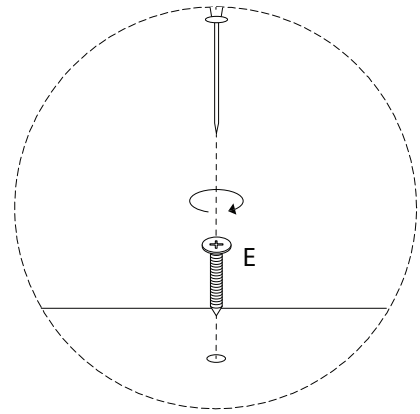
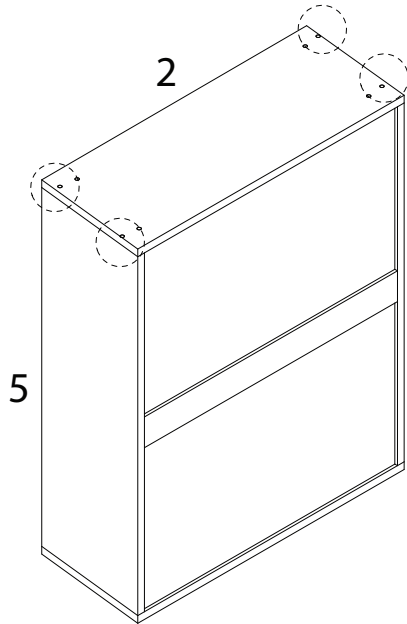


13

E



x 4

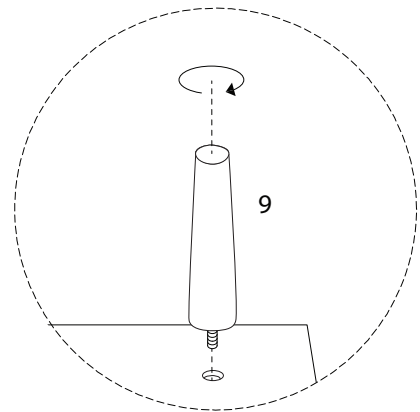
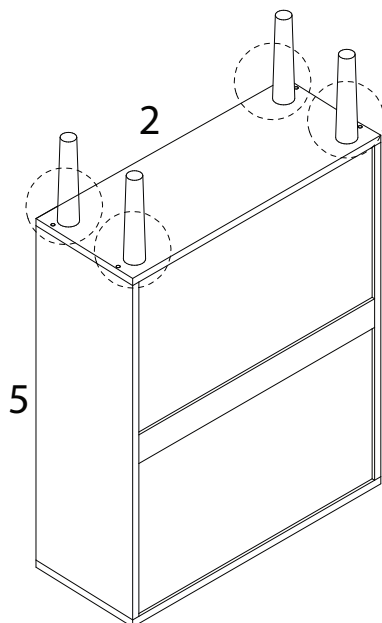


14

9

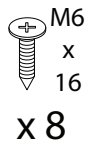


x 4

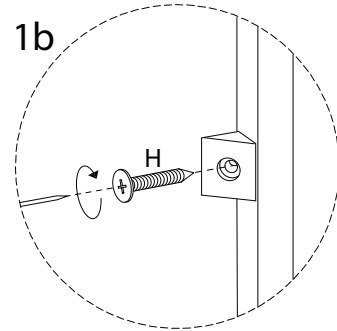
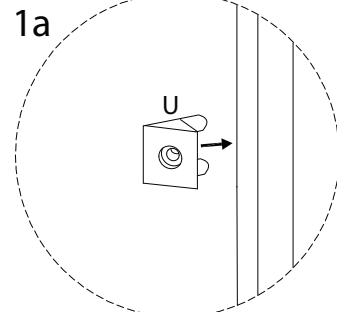
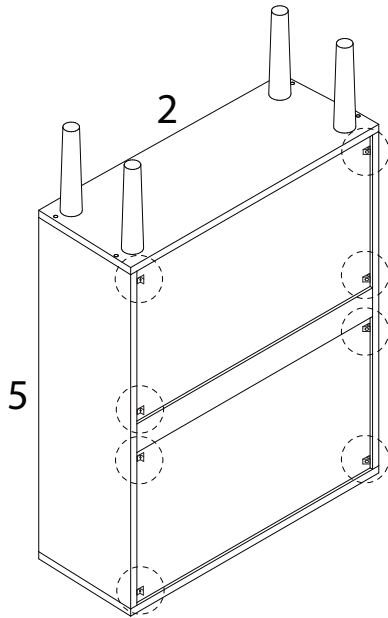


15

H

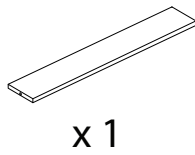


U

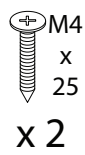


16 x 2

11



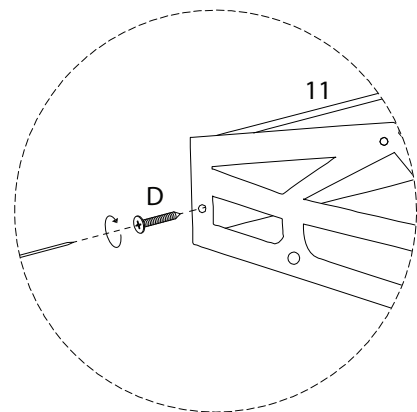
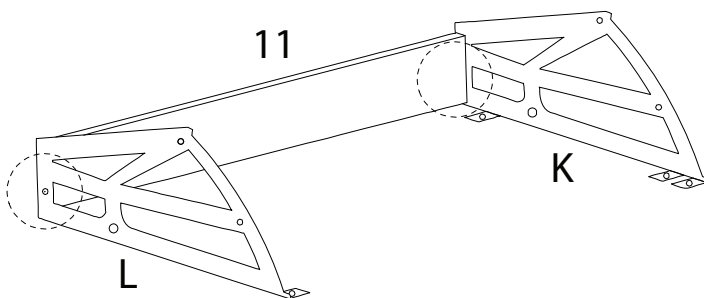
D



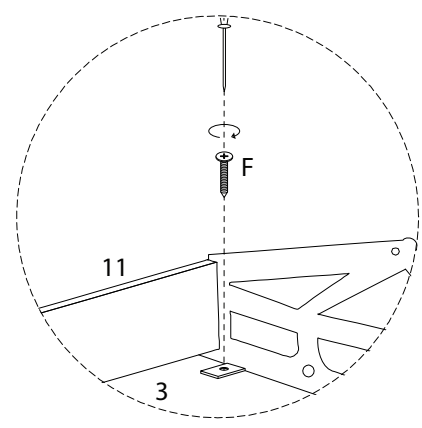
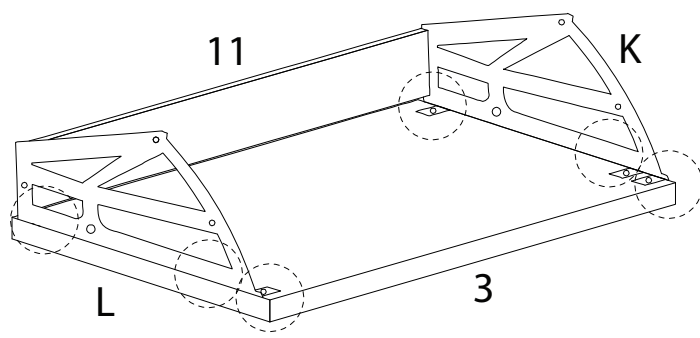
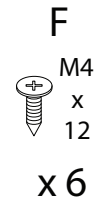
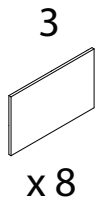
K



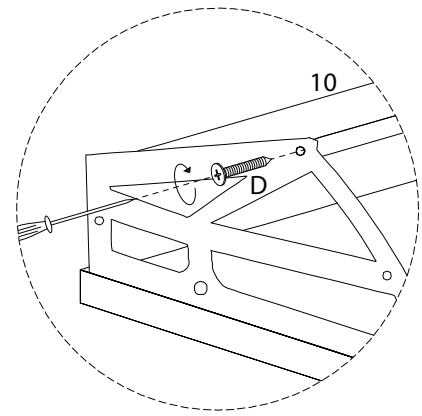
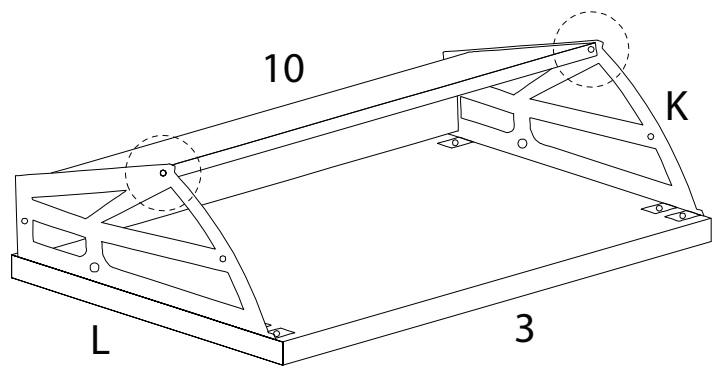
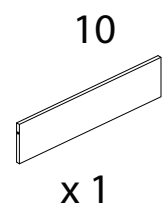
L



17 x 2



18 x 2

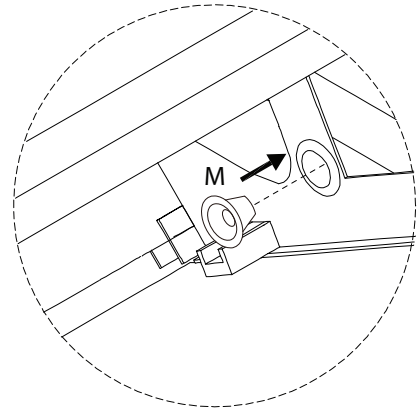
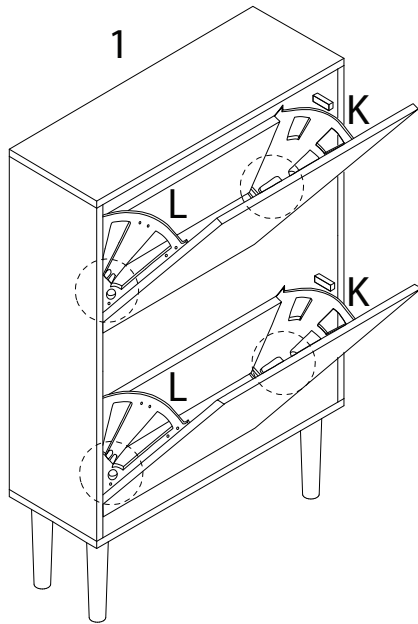


19

M



x 4

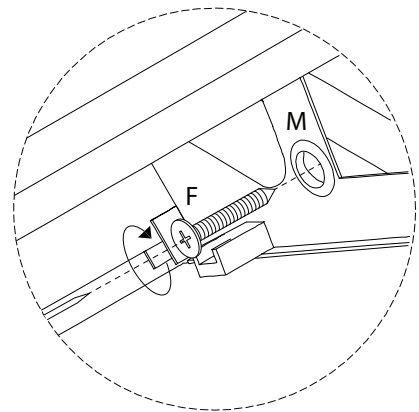
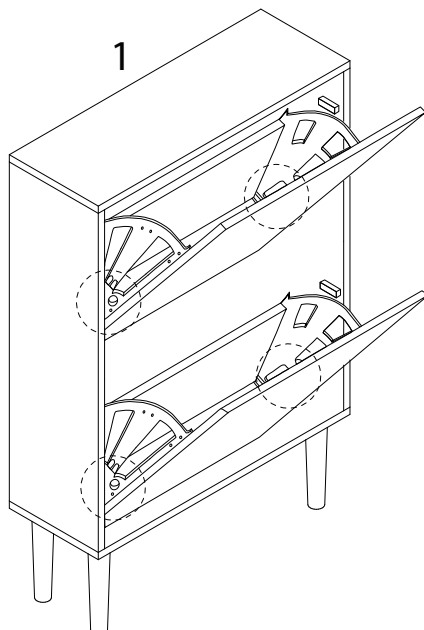


20

F

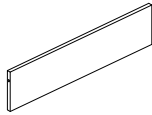


x 4



21

10

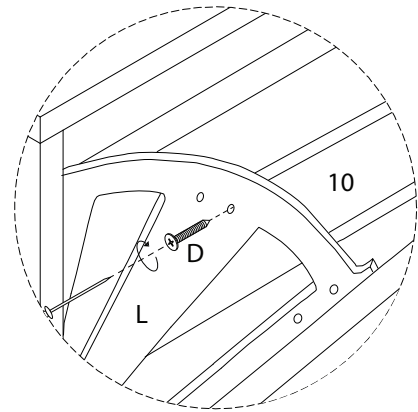
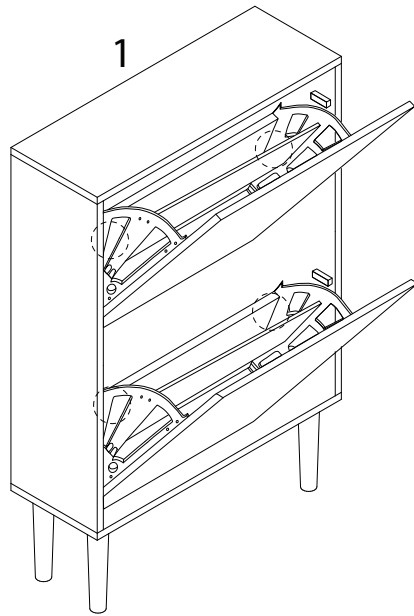


x 2

D



x 4



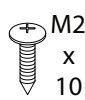
22

J₁



x 2

J₂



x 2

J₃



x 2

J₄



x 2

