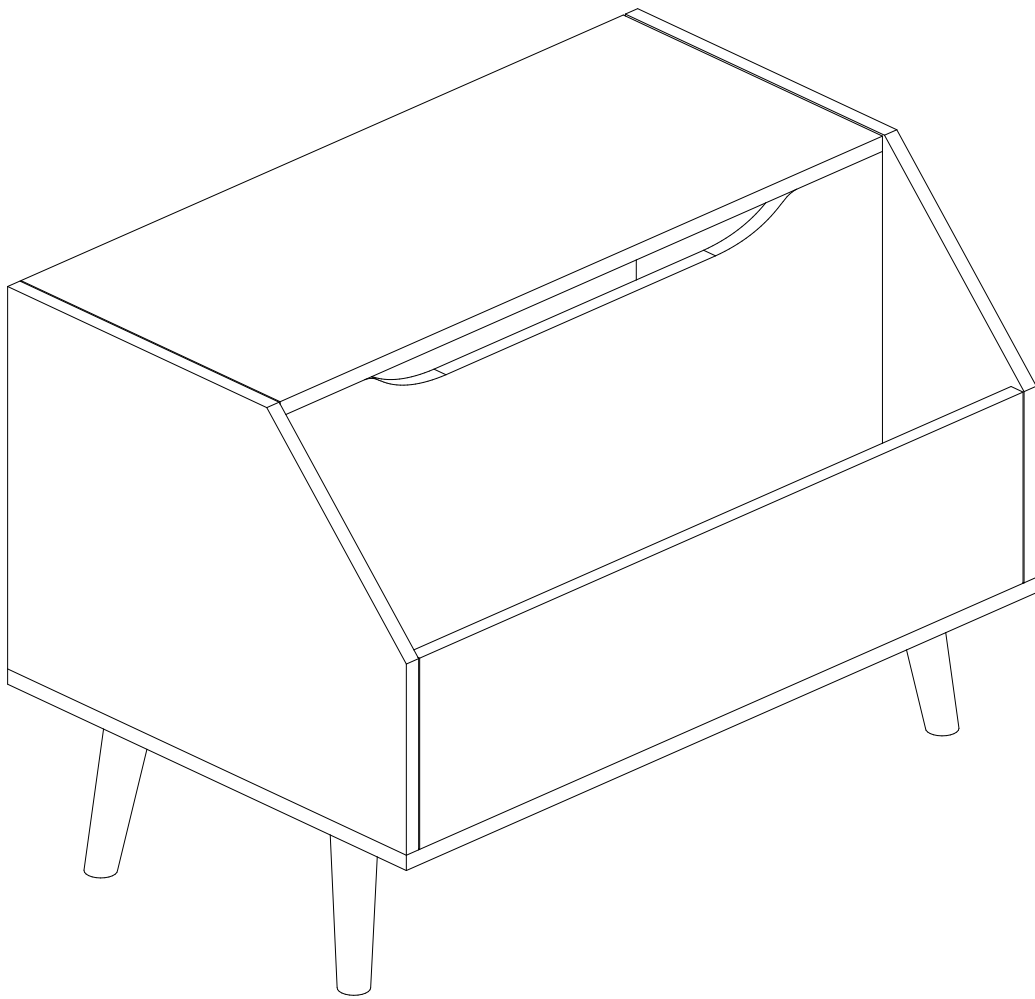
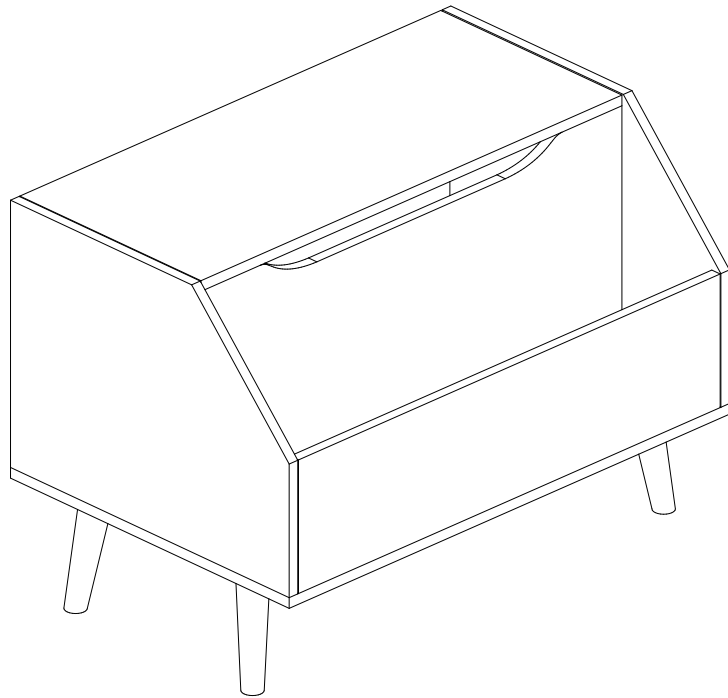
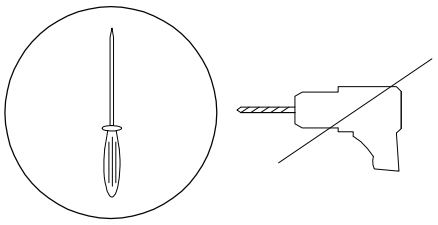

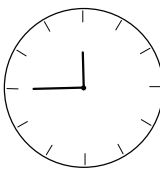
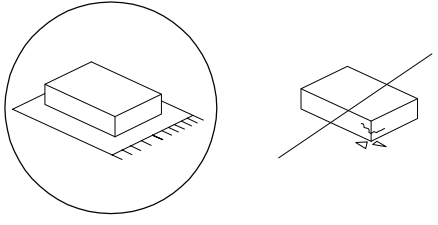

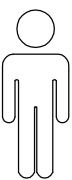
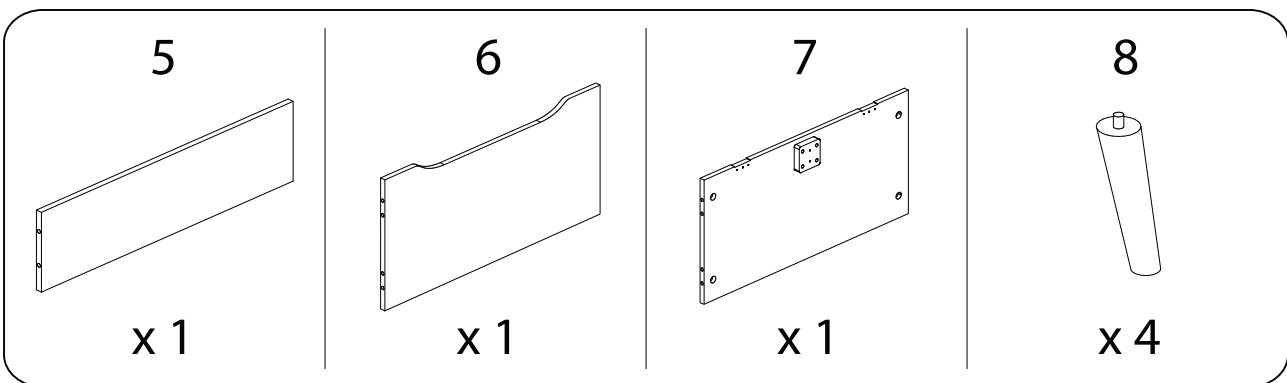
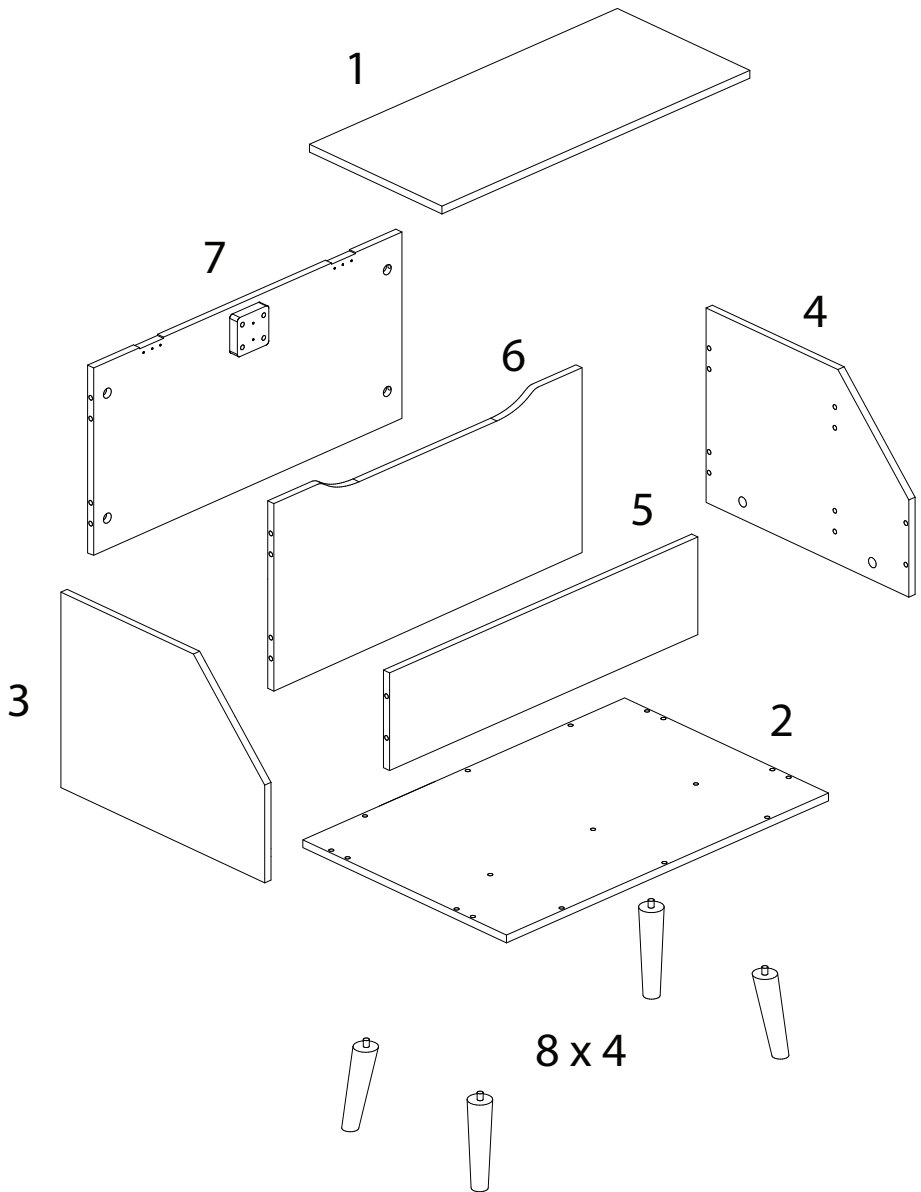
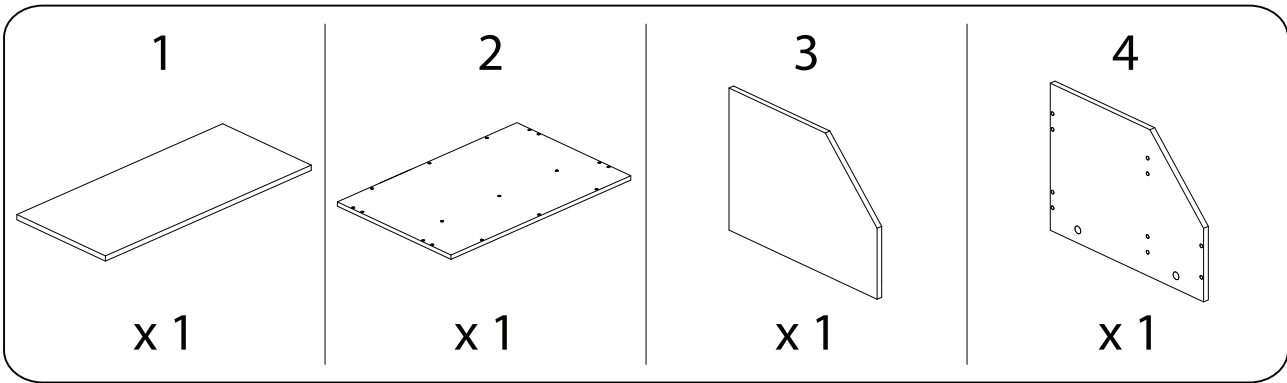


# CASPER





		
		
		<b>45'</b>
		<b>1</b>

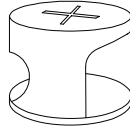


A



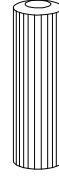
x 14

B



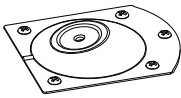
x 14

C



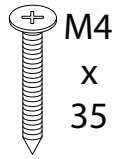
x 20

D



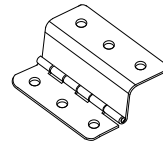
x 4

E



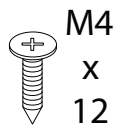
x 3

F



x 2

H



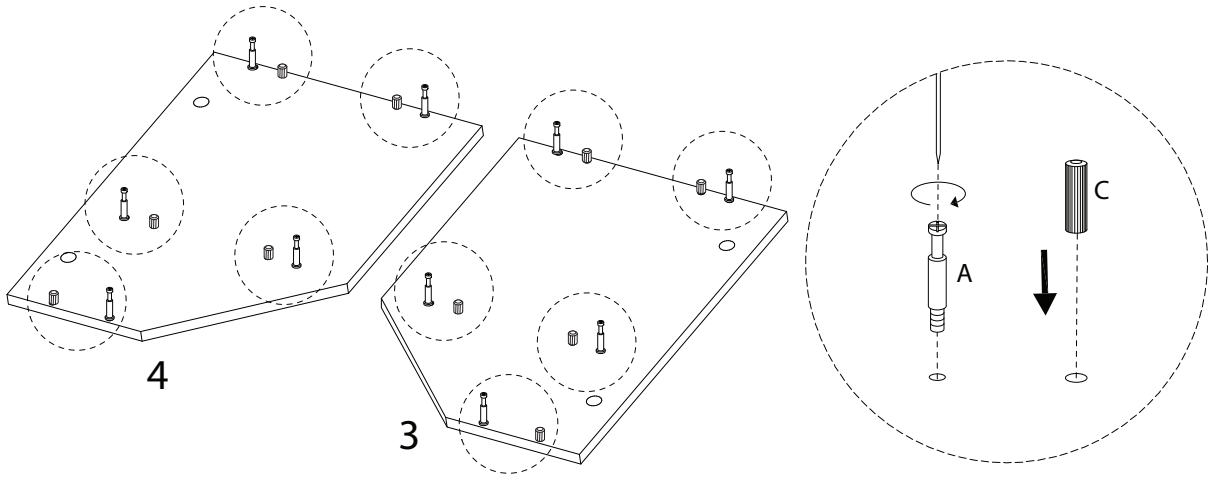
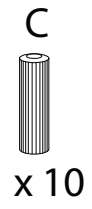
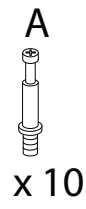
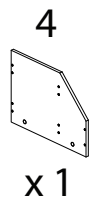
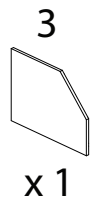
x 36

I

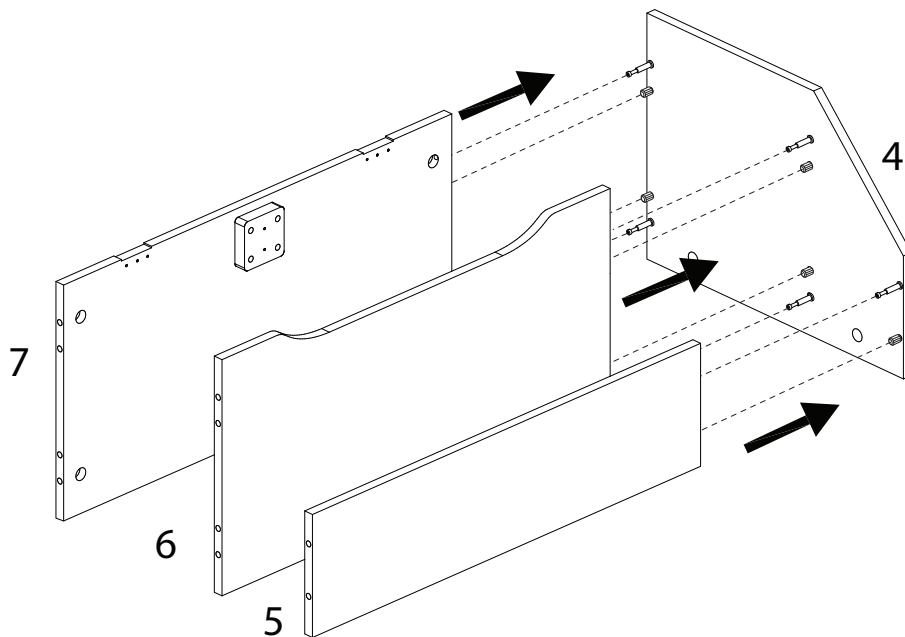
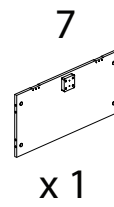
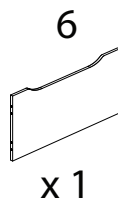
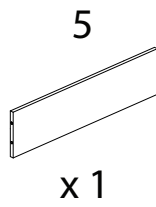


x 1

1



2

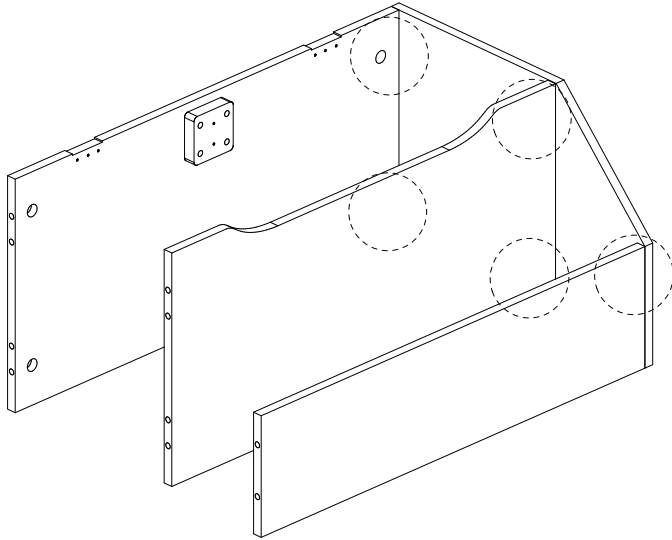


3

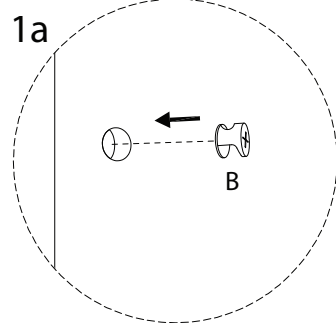
B



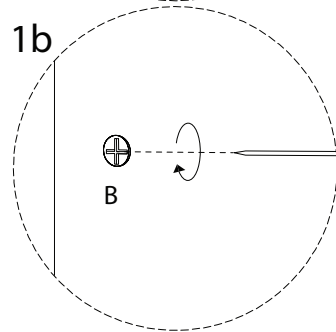
x 5



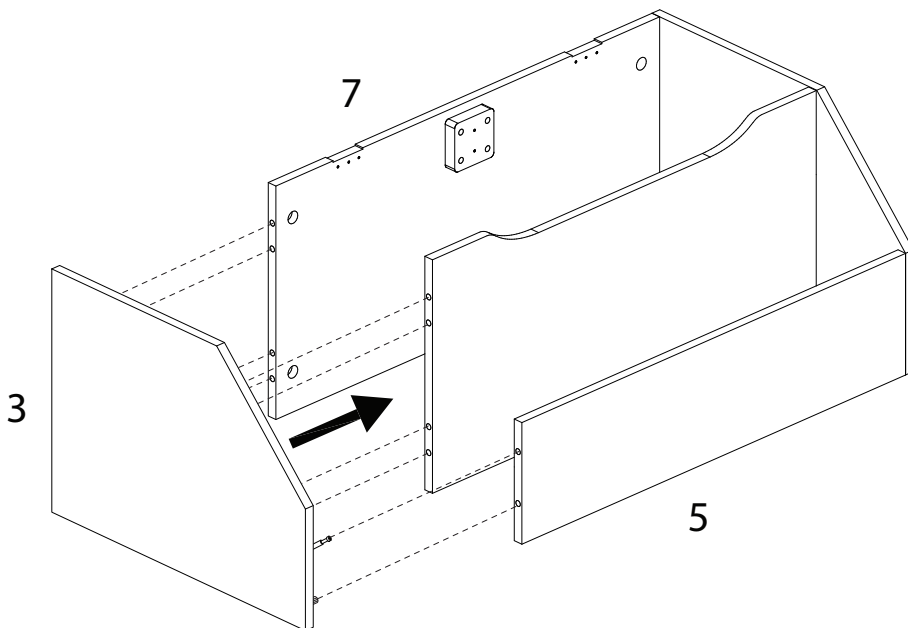
1a



1b



4

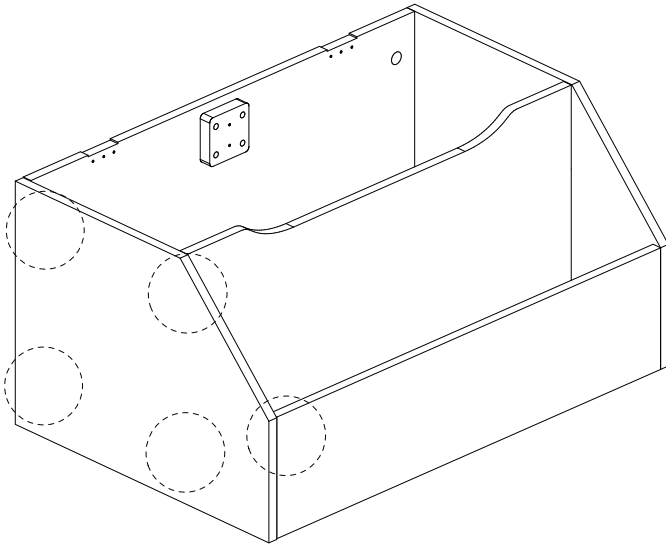


5

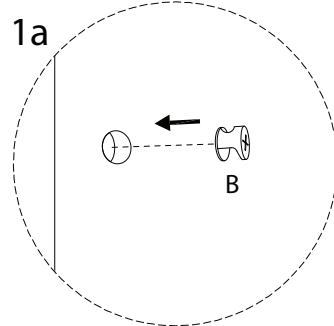
B



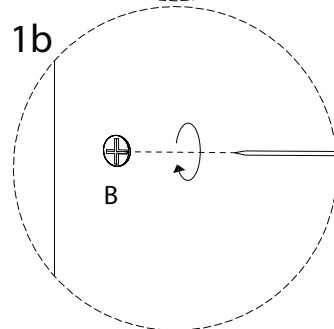
x 5



1a

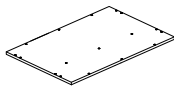


1b



6

2



x 1

A

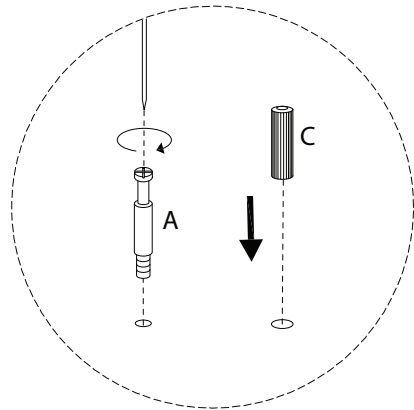
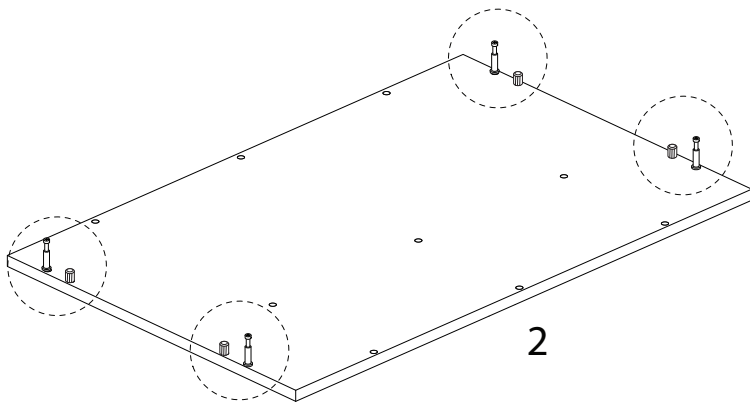


x 4

C



x 4

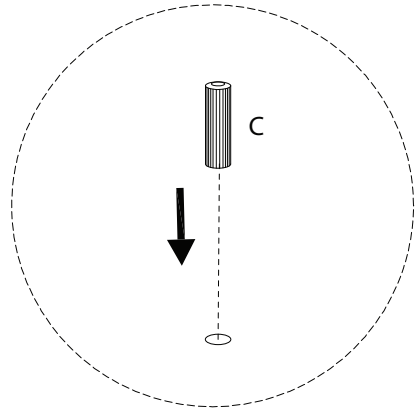
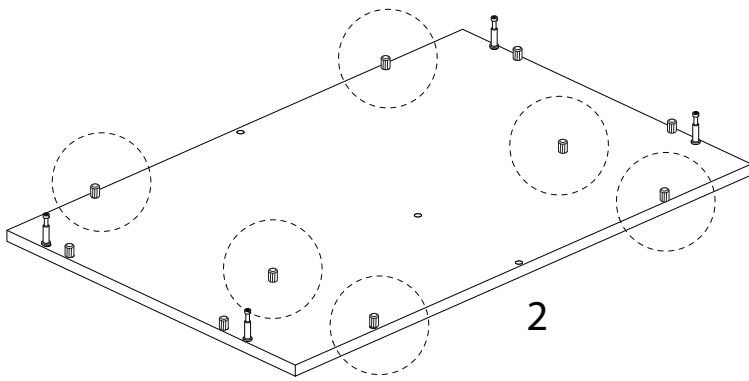


7

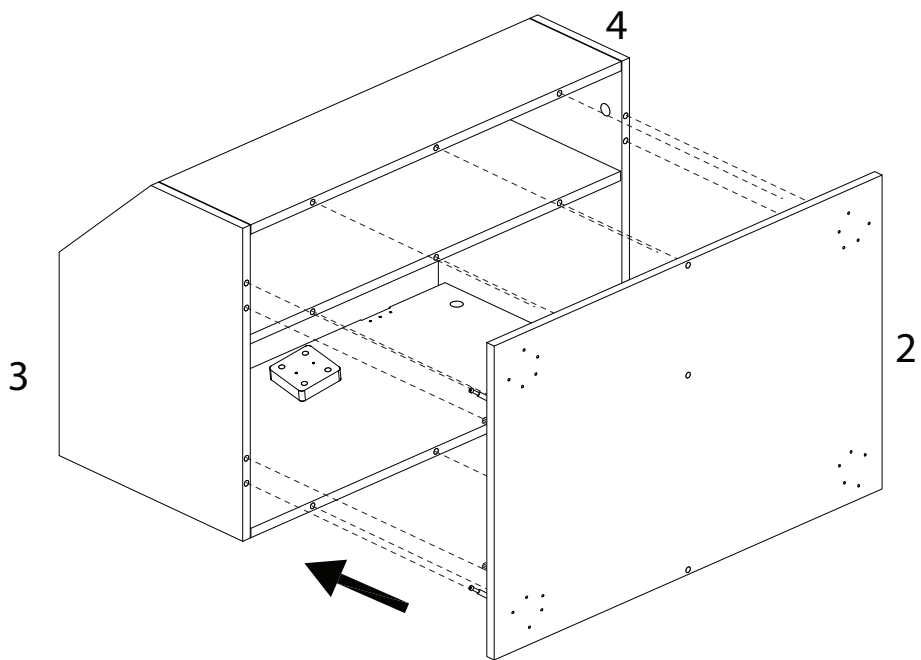
C



x 6



8



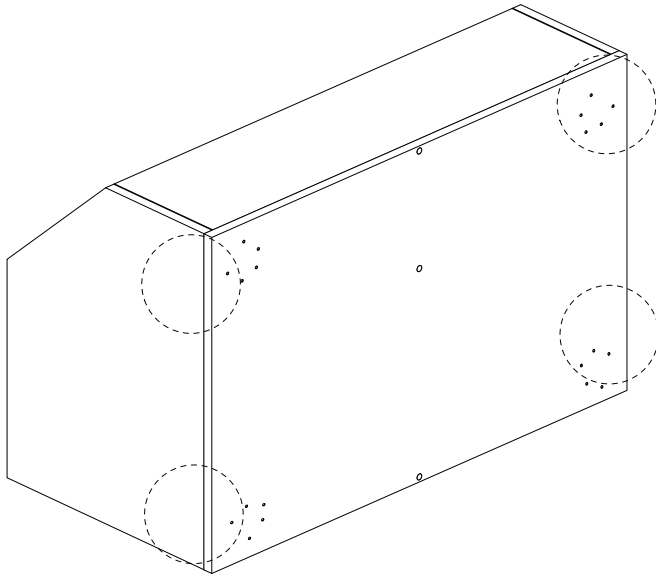


9

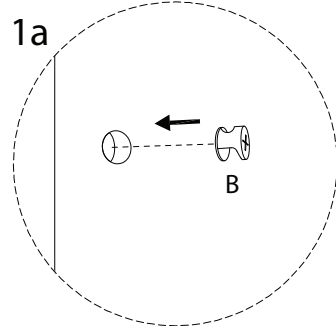
B



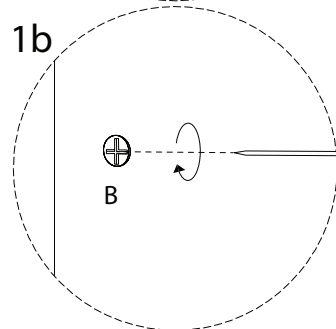
x 4



1a

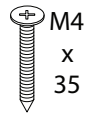


1b

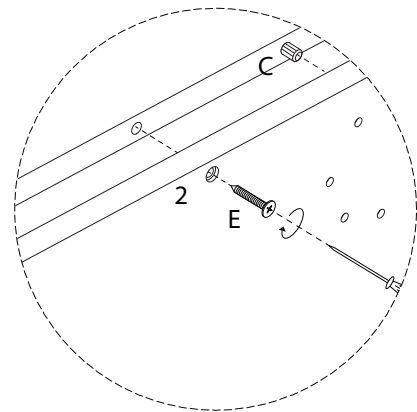
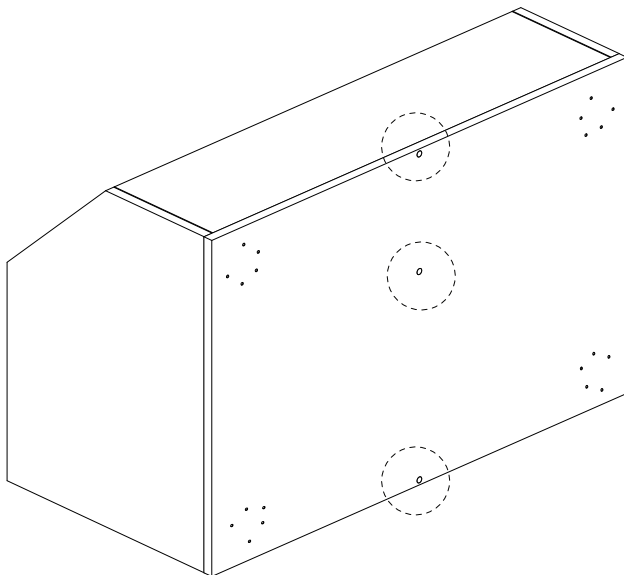


10

E

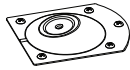


x 3



11

D

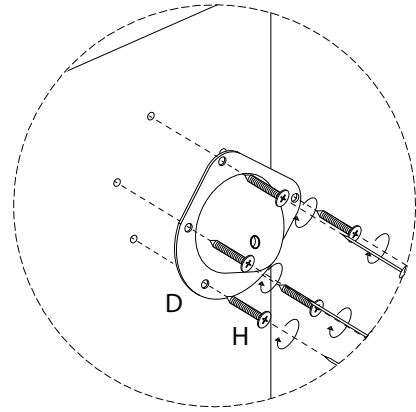
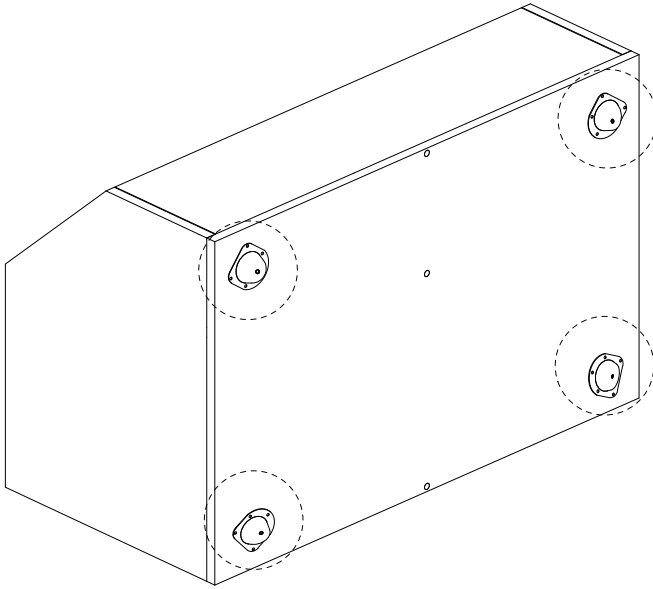


x 4

H



x 20

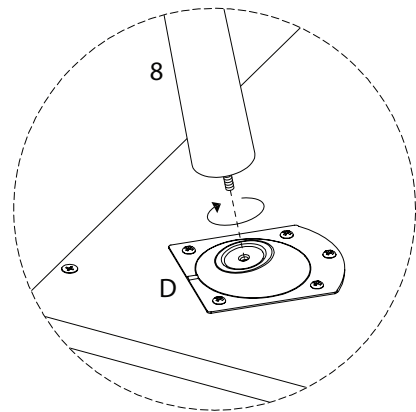
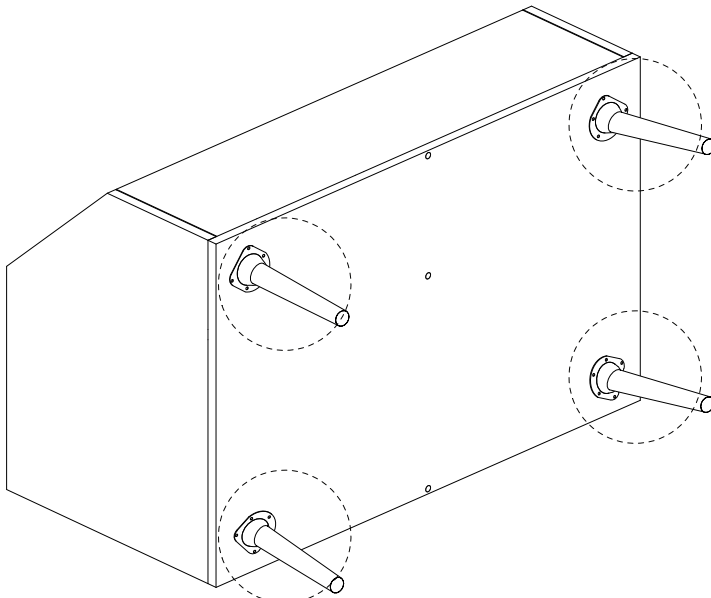


12

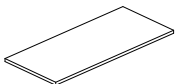
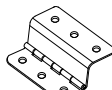

8

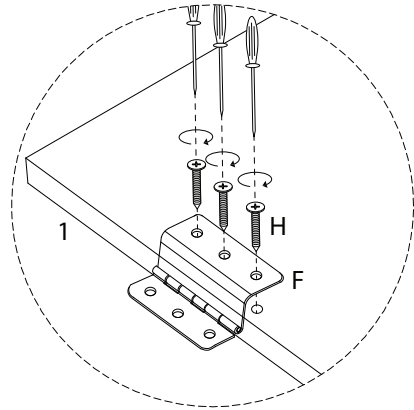
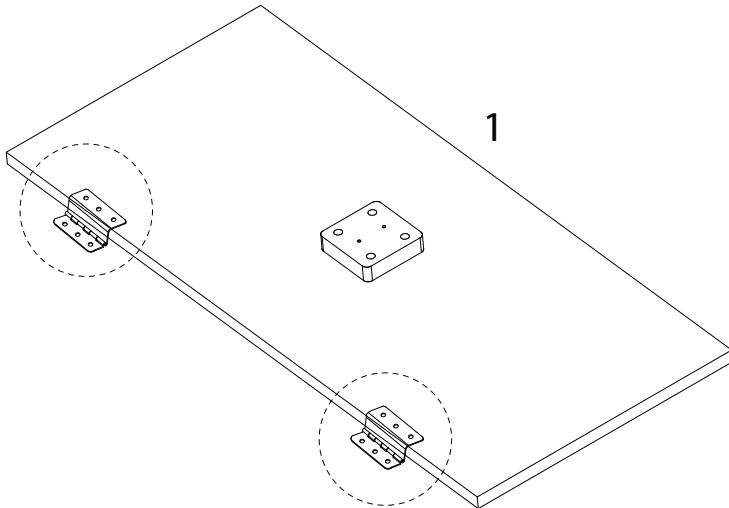


x 4




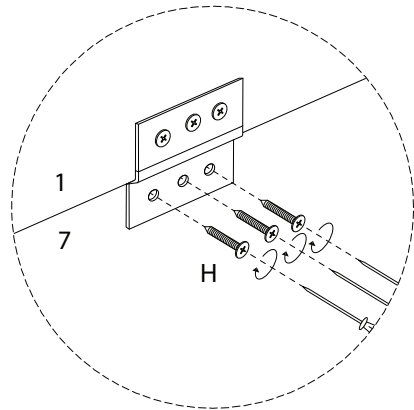
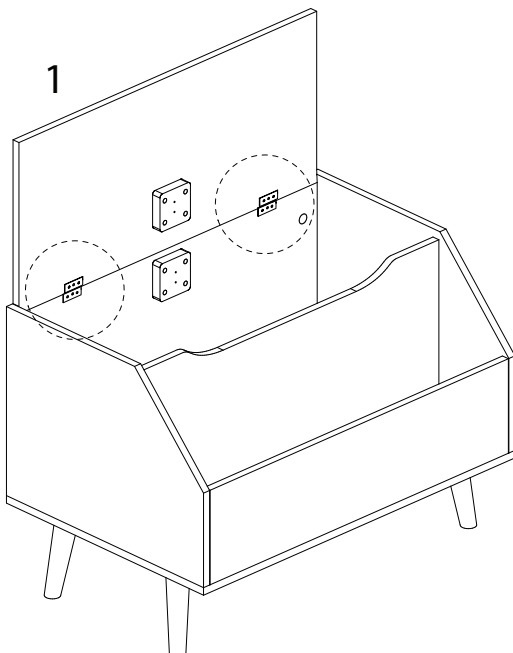
13

1  x 1	F  x 2	H  M4 x 12 x 6
---	---	--



14

H  M4 x 12 x 6
--



15

H  
M4  
x  
12  
x 4

I  
x 1

